

■ Features

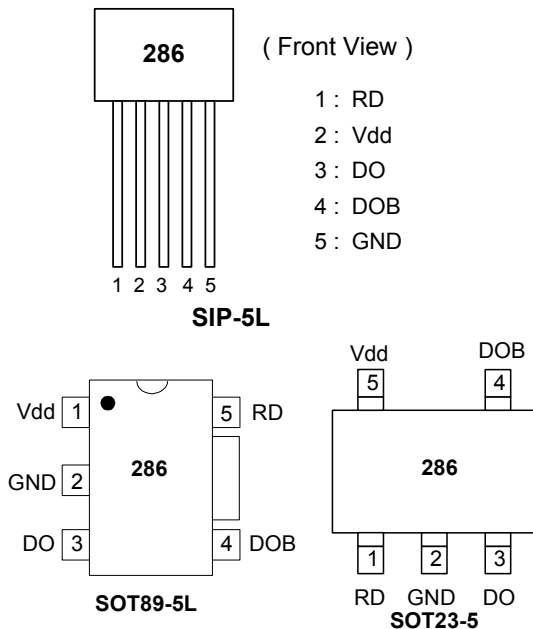
- On chip Hall sensor
- Rotor-locked shutdown
- Automatically restart
- Rotor-state detection (RD) output
- Built-in Zener protection for output driver
- Operating voltage: 3.8V~20 V
- Output current: $I_{O(AVE)} = 500\text{mA}$ for SIP-5/SOT89-5
- Output current: $I_{O(AVE)} = 400\text{mA}$ for SOT23-5
- Package: SIP-5L, SOT23-5L, SOT89-5L

■ General Description

AH286 is a monolithic fan motor controller with Hall sensor's capability. It contains two complementary open-drain transistors for motor's coil driving, automatic lock current shutdown, and recovery protections. In addition, rotor-state detection (RD) output is for Rotor-state detection.

To avoid coil burning, rotor-lock shutdown detection circuit shut down the output driver if the rotor is blocked and then the automatic recovery circuit will try to restart the motor. This function repeats while the rotor is blocked. Until the blocking is removed, the motor recovers running normally.

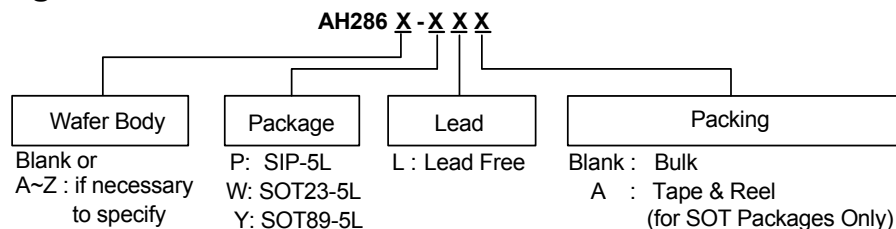
■ Pin Configuration



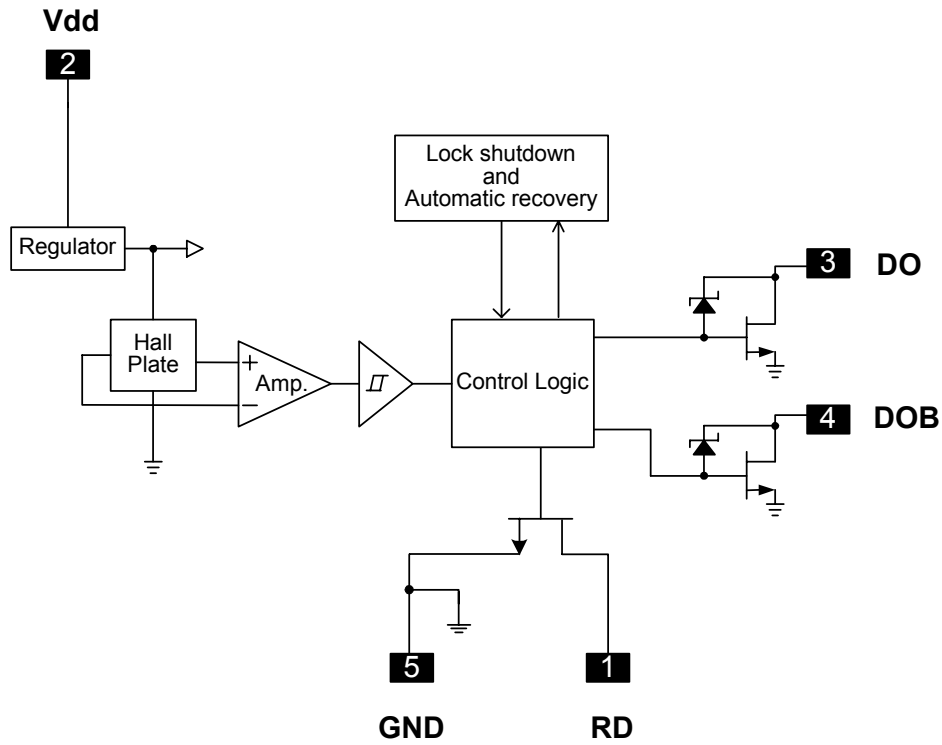
■ Pin Descriptions

Symbol	Description
RD	Rotor-state detection
Vdd	Input power
DO	Output pin
DOB	Output pin
GND	Ground

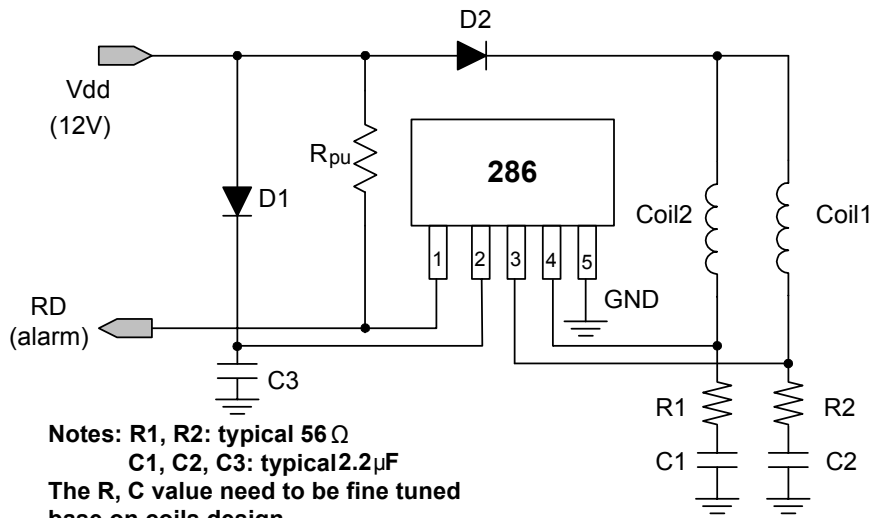
■ Ordering Information



■ Block Diagram (SIP5)



■ Typical Application Circuit (SIP5)



12V DC Brush-less Fan with RD output function

■ Absolute Maximum Ratings ($T_a = 25^\circ\text{C}$)

Characteristics	Symbol	Rating	Unit	
Supply Voltage	Vdd	24	V	
Output Current	$I_{O(AVE)}$	SIP5/SOT89-5	500	mA
		SOT23-5	400	
	$I_{O(PEAK)}$	700		
Power Dissipation	P_D	SIP5	550	mW
		SOT23-5	230	
		SOT89-5	800	
Operating Temperature	Topr	-40 ~ 100	$^\circ\text{C}$	
Storage Temperature	Tstg	-55 ~ 150	$^\circ\text{C}$	
Maximum Junction Temp.	Tj	150	$^\circ\text{C}$	
Thermal Resistance	θ_{jc}	SIP5	227	$^\circ\text{C/W}$
		SOT23-5	543	
		SOT89-5	156	

■ Electrical Characteristics ($T_a = 25^\circ\text{C}$, Vdd = 12V, unless otherwise notice)

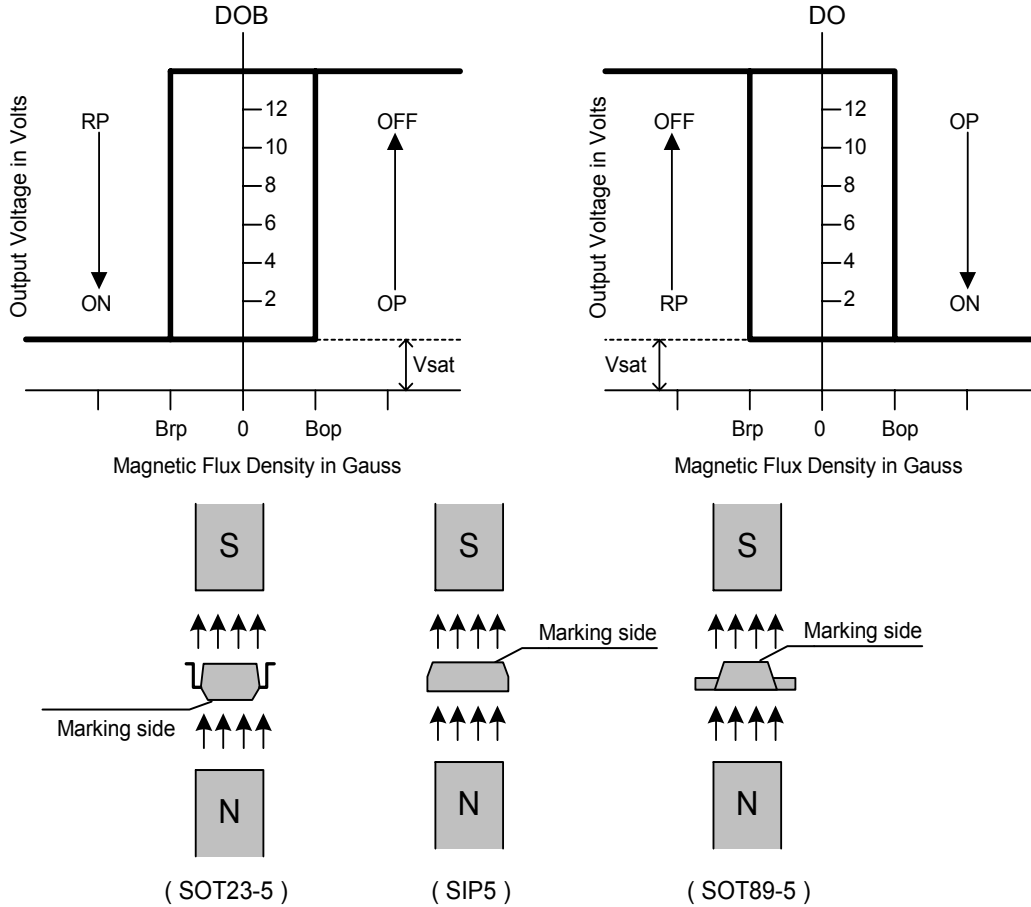
Characteristics	Symbol	Conditions	Min.	Typ.	Max.	Unit
Supply Voltage	Vdd	Operating	3.8	-	20	V
Supply current	Idd	Operating	-	2.0	4.0	mA
Output Leakage Current	Ioff	$V_{OUT}=24\text{V}$	-	< 0.1	10	μA
Locked Protection On	Tlrp-on		0.4	0.5	0.6	Sec
Locked Protection Off	Tlrp-off		2.4	3	3.6	Sec
Output saturation voltage	$V_{OUT(sat)}$	$I_O=300\text{mA}$	-	375	500	mV
		$I_O=500\text{mA}$	-	625	900	
Output On resistance	Rds(on)	$I_O=300\text{mA}$	-	1.25	1.67	ohm
RD output Vds	Vol	$I_O=10\text{mA}$	-	0.5	-	V
Output Zener-breakdown Voltage	Vz		35	42	60	V

■ Magnetic Characteristics ($T_a = 25^\circ\text{C}$, Vdd = 12V, unless otherwise specified)

(1mT=10 Gauss)

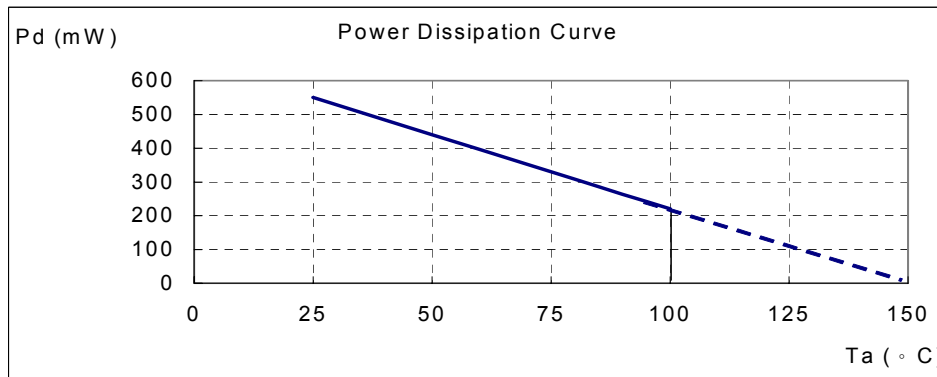
Characteristics	Symbol	Min.	Typ.	Max.	Unit
Operate Point	Bop	10	30	60	Gauss
Release Point	Brp	-60	-30	-10	Gauss
Hysteresis	Bhy	--	60	--	Gauss

■ Operating Characteristics



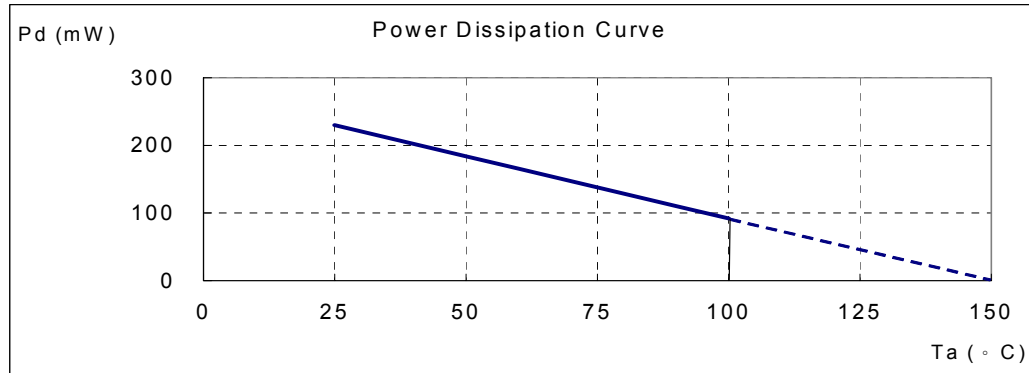
■ Performance Characteristics (SIP5)

Ta (°C)	25	50	60	70	80	85	90	95	100
Pd (mW)	550	440	396	352	308	286	264	242	220
Ta (°C)	105	110	115	120	125	130	135	140	150
Pd (mW)	198	176	154	132	110	88	66	44	0



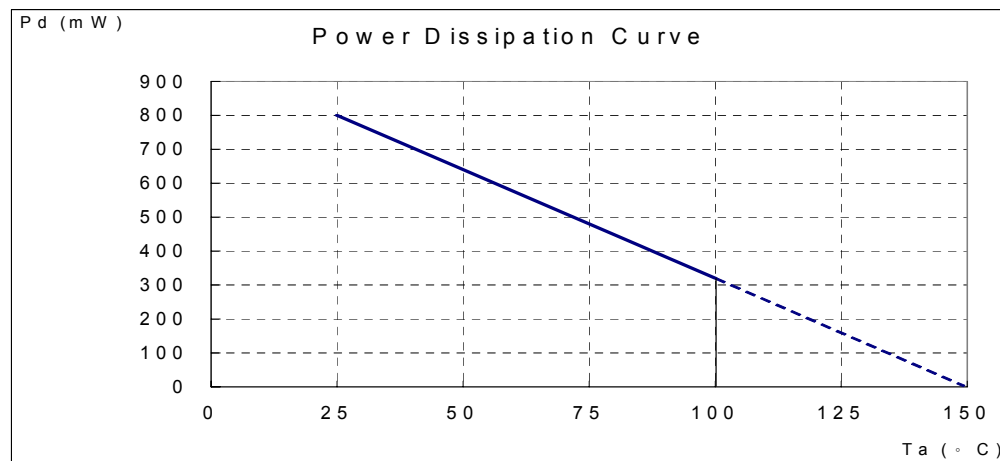
■ Performance Characteristics (SOT23-5)

Ta (°C)	25	50	60	70	80	90	100	110	120	130	140	150
Pd (mW)	230	184	166	147	129	110	92	74	55	37	18	0



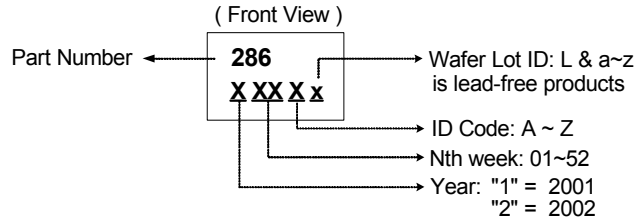
■ Performance Characteristics (SOT89-5)

Ta (°C)	25	50	60	70	75	80	85	90	95	100
Pd (mW)	800	640	576	512	480	448	416	384	352	320
Ta (°C)	105	110	115	120	125	130	135	140	145	150
Pd (mW)	288	256	224	192	160	128	96	64	32	0

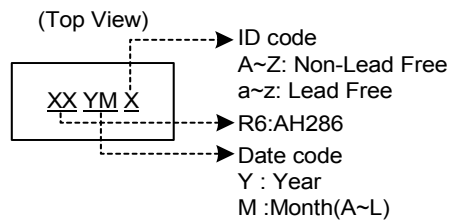


■ Marking Information

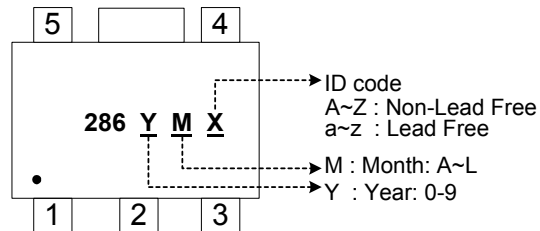
(1)SIP-5L



(2)SOT23-5L

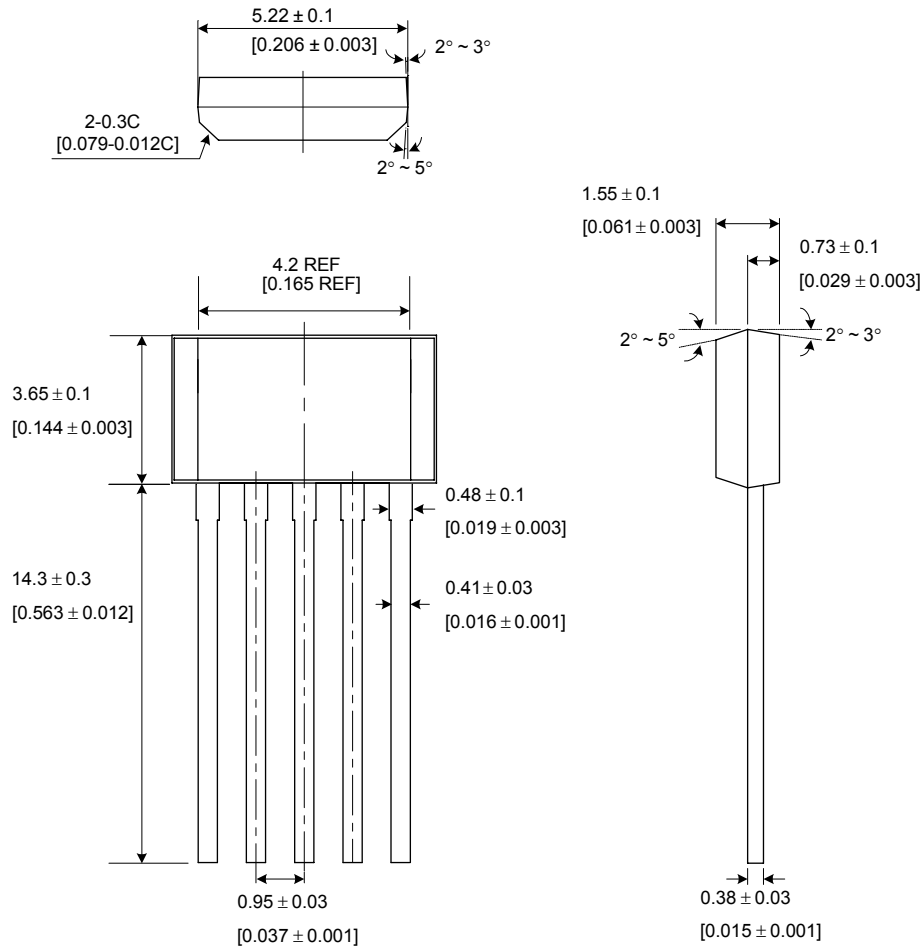


(3)SOT89-5L

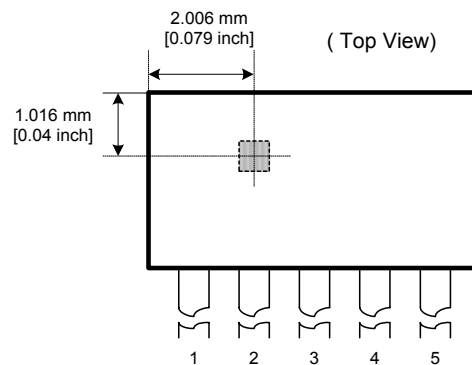


■ Package Information

(1) Package type: SIP-5L (unit: mm / [inch])

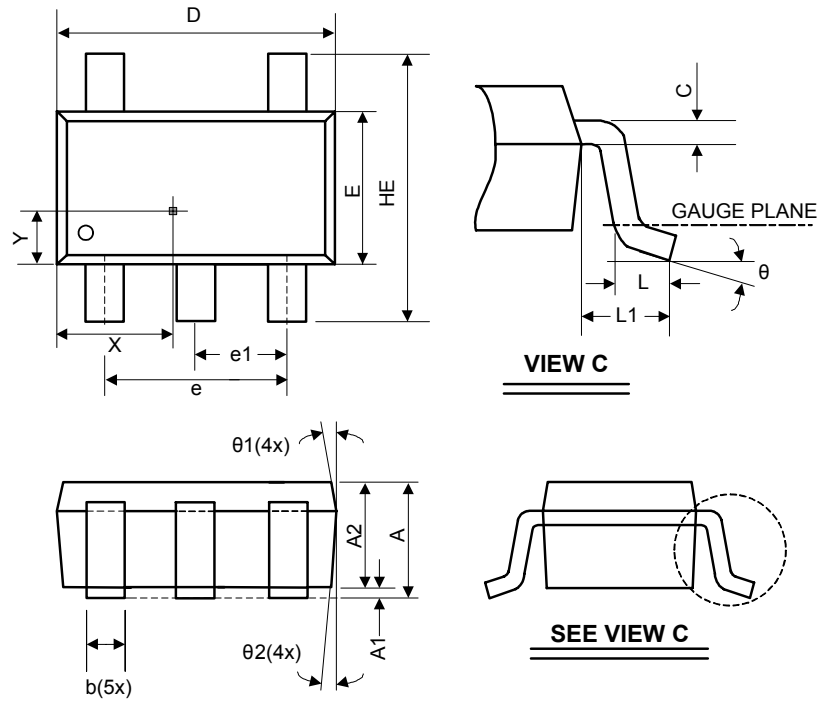


■ Location of Sensing Point



Hall-Effect Smart Fan Motor Controller

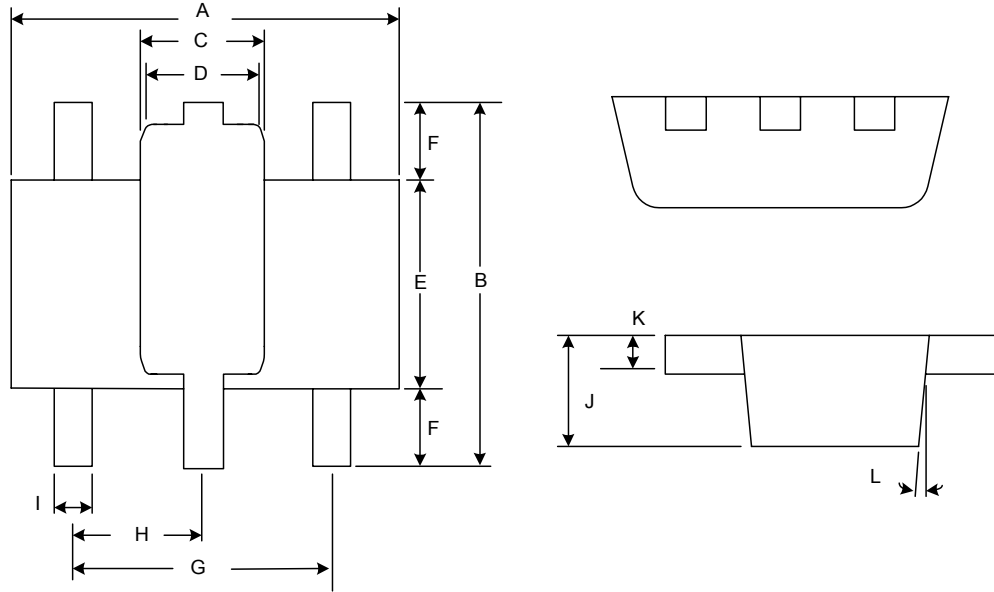
(2) SOT23-5L



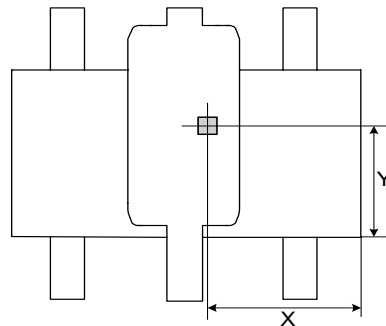
Symbol	Dimensions In Millimeters			Dimensions In Inches		
	Min.	Nom.	Max.	Min.	Nom.	Max.
A	1.05	-	1.35	0.041	-	0.053
A1	0.05	-	0.15	0.002	-	0.006
A2	1.00	1.10	1.20	0.039	0.043	0.047
b	0.25	-	0.50	0.010	-	0.020
C	0.08	-	0.20	0.003	-	0.008
D	2.70	2.90	3.00	0.106	0.114	0.118
E	1.50	1.60	1.70	0.059	0.063	0.067
HE	2.60	2.80	3.00	0.102	0.110	0.118
L	0.30	-	0.60	0.012	-	0.024
L1	0.50	0.60	0.70	0.020	0.024	0.028
e	1.80	1.90	2.00	0.071	0.075	0.079
e1	0.85	0.95	1.05	0.033	0.037	0.041
θ	0°	5°	10°	0°	5°	10°
$\theta1$	3°	5°	7°	3°	5°	7°
$\theta2$	6°	8°	10°	6°	8°	10°
X	-	1.067	-	-	0.042	-
Y	-	0.432	-	-	0.017	-

Hall-Effect Smart Fan Motor Controller

(3) Package type: SOT89-5L



Package Sensor Location



Symbol	Dimensions In Millimeters			Dimensions In Inches		
	Min.	Nom.	Max.	Min.	Nom.	Max.
A	4.40	4.50	4.60	0.173	0.177	0.181
B	4.05	4.15	4.25	0.159	0.163	0.167
C	1.50	1.60	1.70	0.059	0.063	0.067
D	1.30	1.40	1.50	0.051	0.055	0.059
E	2.40	2.50	2.60	0.094	0.098	0.102
F	0.80	-	-	0.031	-	-
G	3.00 Ref.			0.118 Ref.		
H	1.50 Ref.			0.059 Ref.		
I	0.40	0.46	0.52	0.016	0.018	0.020
J	1.40	1.50	1.60	0.055	0.059	0.063
K	0.35	0.39	0.43	0.014	0.015	0.017
L	5° Typ.			5° Typ.		
X	-	1.90	-	-	0.075	-
Y	-	1.65	-	-	0.065	-