



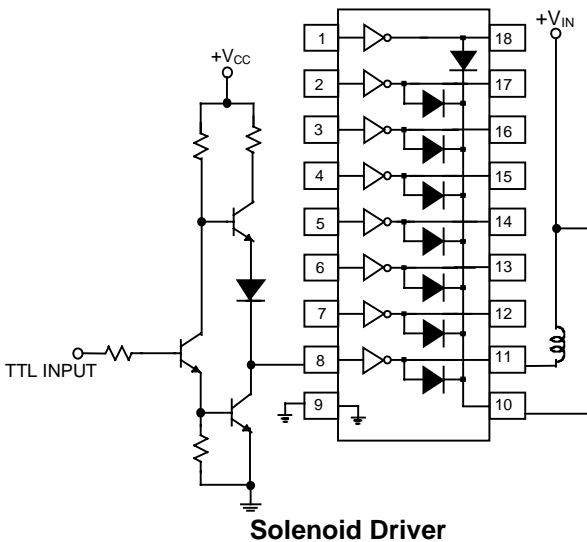
FEATURES

- Improved Replacement for ULN2803.
- Fast Turn-on and Turn-off.
- TTL/CMOS Compatible.

APPLICATIONS

- Stepping Motor Driver.
- Relay Driver.
- LED Driver.
- Solenoid Driver.

TYPICAL APPLICATION CIRCUIT



DESCRIPTION

Manufactured with the standard bipolar process, the AIC2803 is a high-voltage, high-current 8-channel Darlington array, with each of the output transistors capable of sinking peak load current of 500mA and capable of withstanding at least 50V in the OFF state.

The AIC2803 has a 2.7KΩ series base resistor to each Darlington pair and thus allows operation directly with TTL or CMOS logic circuitry operating at a supply voltage of 5V. Outputs of the drivers can be paralleled for higher load current capability. These make the AIC2803 ideally suited for numerous interface between low-level logic circuitry and high-power peripheral loads, particularly those beyond the capabilities of standard logic buffers. Typical loads include relays, solenoids, stepping motors, heaters, multiplexed LED, and incandescent displays.

The AIC2803 features open collector outputs and integral diodes for inductive load transient suppression.

ORDERING INFORMATION

AIC2803XX
 PACKAGE TYPE
 N: PLASTIC DIP
 TEMPERATURE RANGE
 C= 0°C~70°C

ORDER NUMBER		PIN CONFIGURATION	
AIC2803CN (PLASTIC DIP)		TOP VIEW	
IN1	1	18	C1
IN2	2	17	C2
IN3	3	16	C3
IN4	4	15	C4
IN5	5	14	C5
IN6	6	13	C6
IN7	7	12	C7
IN8	8	11	C8
GND	9	10	COM



■ ABSOLUTE MAXIMUM RATINGS (at Ta=25°C)

Output Voltage	50V
Input Voltage	30V
Continuous Collector Current	500mA
Continuous Base Current	25mA
Power Dissipation, (One Darlington Pair)	1.0W
(Total Package)	2.25W
Operating Ambient Temperature Range	-20°C~ 85°C
Storage Temperature Range	-65°C~ 150°C

■ ELECTRICAL CHARACTERISTICS (Ta=25°C, unless otherwise specified.)

PARAMETERS	TEST CONDITIONS	SYMBOL	MIN.	TYP.	MAX.	UNIT
Output Leakage Current	V _{CE} =50V, Ta=25°C	I _{CEX}			30	μA
	V _{CE} =50V, Ta=70°C, Fig. 1				100	μA
Collector-Emitter Saturation Voltage	I _C =100mA, I _B =250μA	V _{CE(SAT)}		0.8	1.1	V
	I _C =200mA, I _B =350μA			0.9	1.3	V
	I _C =350mA, I _B =500μA, Fig. 2			1.0	1.5	V
Input Current	V _{IN} =3.85V, Fig. 3	I _{IN(ON)}		0.93	1.35	mA
	I _C =500μA, Ta=70°C, Fig. 4	I _{IN(OFF)}	50	65		μA
Input voltage	V _{CE} =2.0V, I _C =200mA	V _{IN(ON)}			2.3	V
	V _{CE} =2.0V, I _C =250mA				2.4	V
	V _{CE} =2.0V, I _C =300mA, Fig. 5				2.5	V
Input Capacitance		C _{IN}		15	25	pF
Clamp Diode Leakage Current	V _R =50V, Ta=25°C	I _R			30	μA
	V _R =50V, Ta=70°C, Fig. 6				100	μA
Clamp Diode Forward Voltage	I _F =350mA, Fig. 7	V _F		1.4	1.8	V
Turn-On Delay	0.5 V _{IN} to 0.5 V _{OUT} , Fig. 8	T _{ON}		0.1	0.5	μS
Turn-off Delay	0.5 V _{IN} to 0.5 V _{OUT} , Fig. 8	T _{OFF}		0.2	0.8	μS



■ TEST CIRCUITS

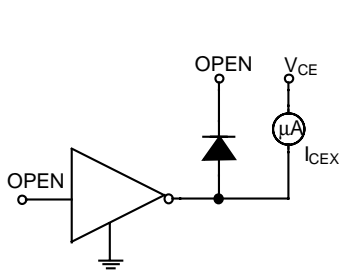


Fig. 1

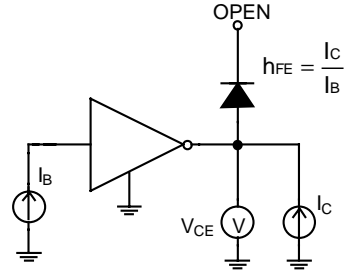


Fig. 2

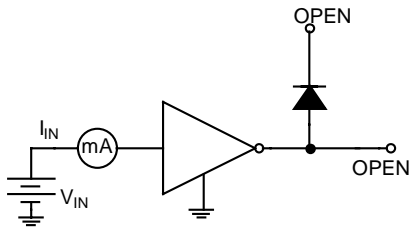


Fig. 3

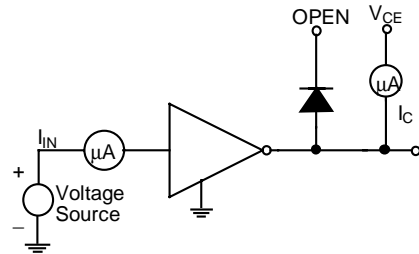


Fig. 4

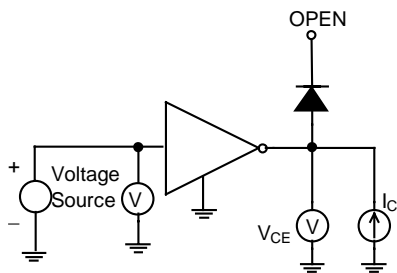


Fig. 5

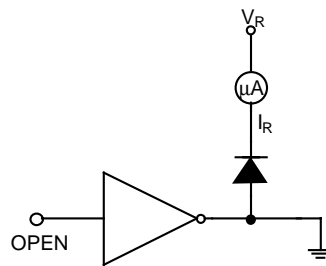


Fig. 6

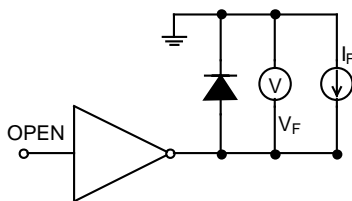


Fig. 7



TEST CIRCUITS (CONTINUED)

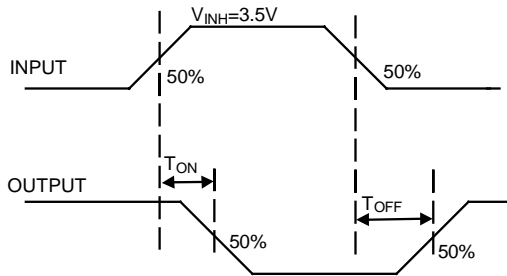
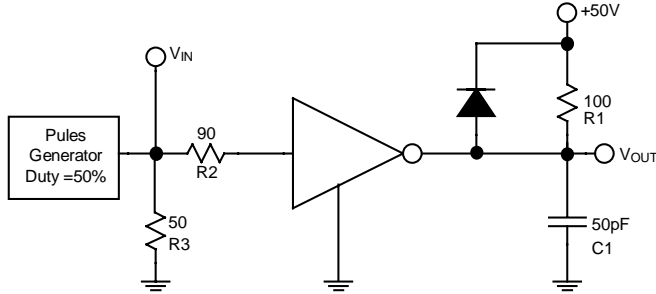
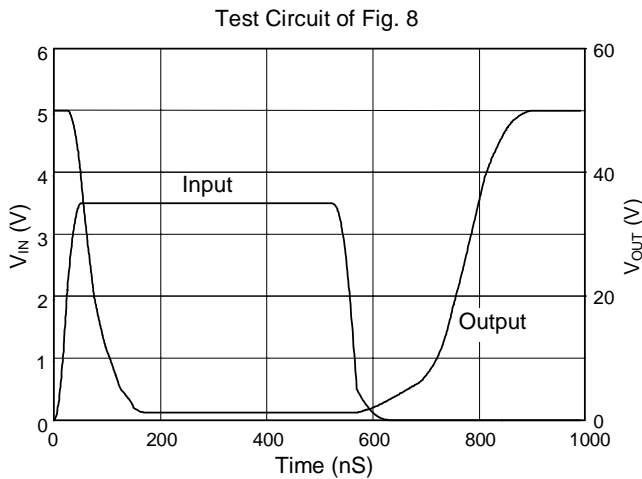
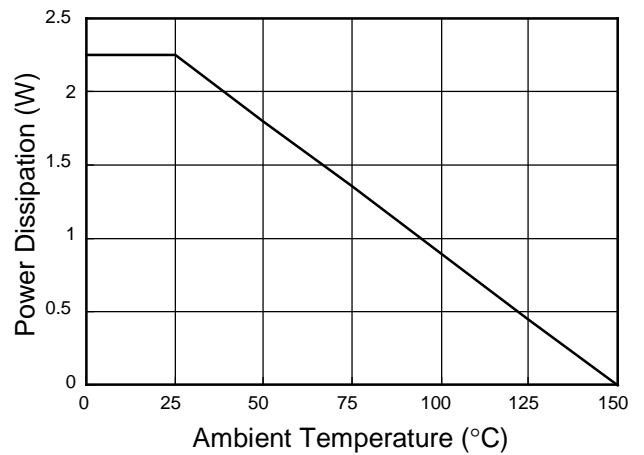


Fig. 8

SWITCHING DELAY

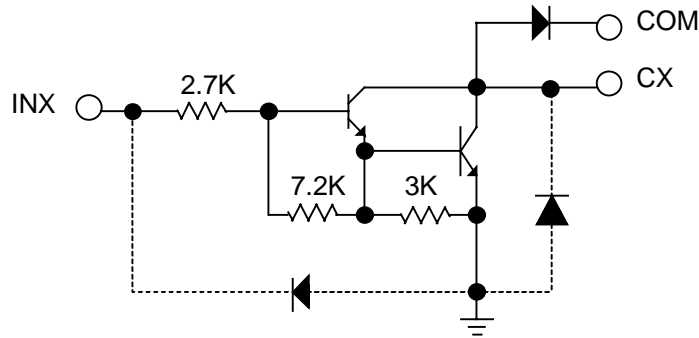


ALLOWABLE AVERAGE POWER DISSIPATION



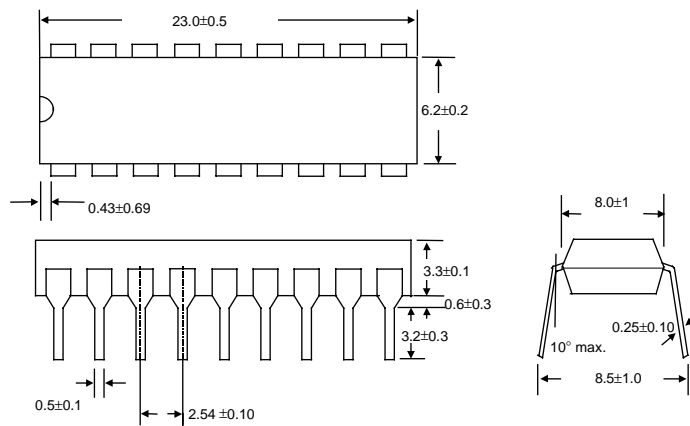


DRIVER CIRCUIT



PHYSICAL DIMENSIONS

- 18 LEAD PLASTIC DIP



UNIT: mm