

# AJ-040 Serie

## PCB Socket Side Entry - SINGLE PORT

### Specifications

#### Material

Housing :	High Strength Thermoplastic Polyester
Contacts :	Phosphor Bronze
Contact Plating :	Gold Over Nickel On Mating Area, Tin-lead Alloy On Tails
Shield :	Copper Alloy, Tin Plated

#### Electrical

UL & cUL File :	E131820
FCC File :	E149026

### Ordering Information

AJ-XXX-X-X-X-X-X-X

NUMBER OF POSITIONS

040 8 Positions  
040SH - 8P (Shielded)

NUMBER OF PORTS

1 to 8 Ports

NUMBER OF POSITIONS & CONTACTS

F = 8p8c, H = 8p4c

Shielded Tab

A - Tab A  
B - Tab B

GOLD PLATING

1 = 15u  
2 = 30u  
3 = 50u  
4 = 6 u

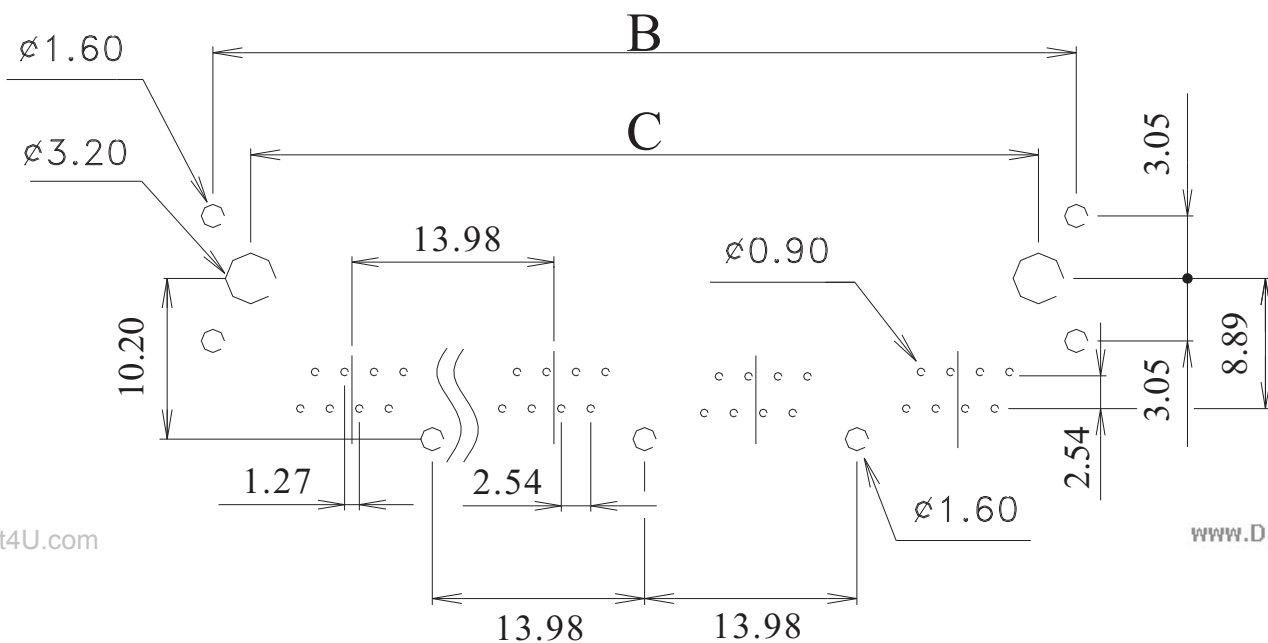
FB - Filtered  
C5 - Category 5

The Style  
Of Shield

N-Nickel Plated Shield  
T-Tin Plated Shield

1-Non-Panel Ground  
2-Top Side With Panel Ground  
3-Top & Bottom 2 Sides With Panel Ground  
4-Top & Left & Right 3 Sides With Panel Ground  
5-Top & Bottom & Left & Right 4 Sides With Panel Ground

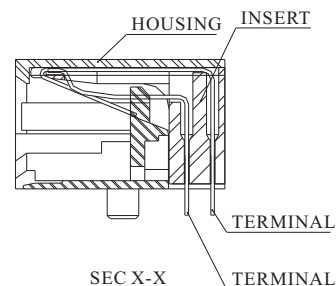
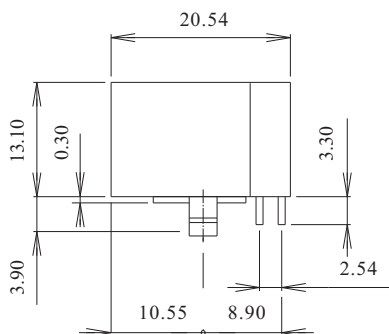
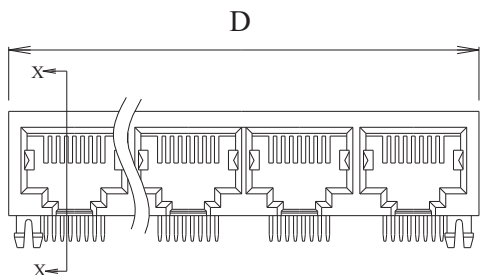
### PCB Layout



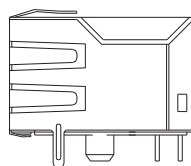
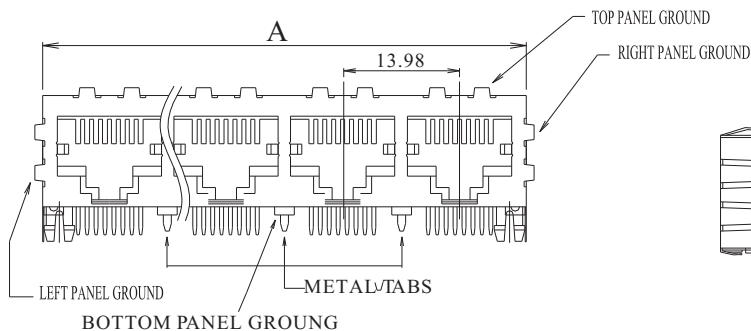
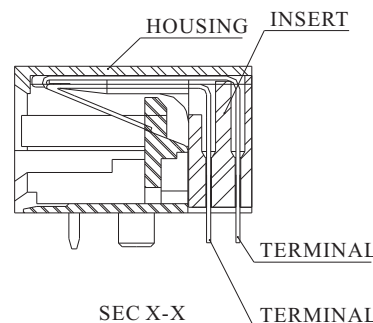
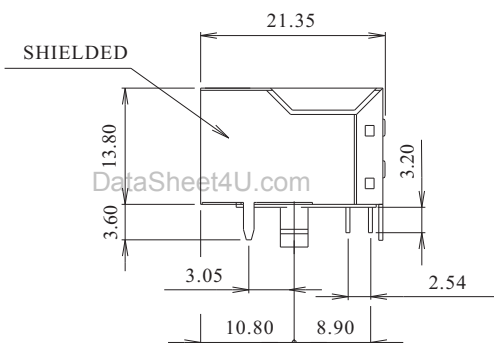
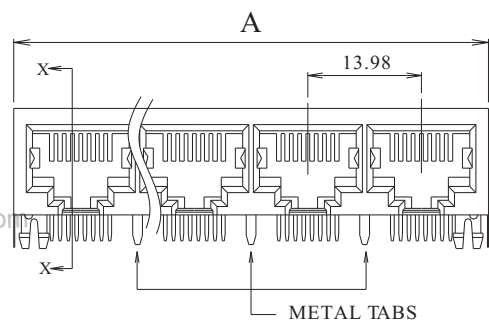
# AJ-040 Serie

## PCB Socket Side Entry - SINGLE PORT

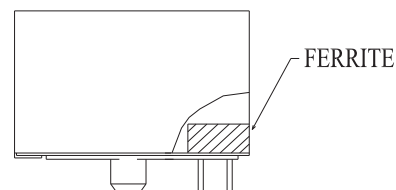
### Category 5



### Category 5A



### Ferrite



Number Of ports	2	3	4	5	6	8
A	31.14	---	59.10	---	87.06	115.02
B	30.84	44.82	58.80	72.78	86.76	114.72
C	25.40	39.37	53.34	67.31	81.28	109.22
D	30.48	44.45	58.42	72.39	86.36	114.30