

• Plugs



- Unshielded
- 6 Positions

**Type**  
**AJP21A** 



- Shielded
- 8 Positions

**Type**  
**AJP23B** 

**Technical Data**

**Electrical:**

UL Applications: 250 volts AC max at 2 amps  
 Dielectric Withstanding Voltage: 500 volts AC  
 Insulation Resistance: 500 megohms  
 Termination: resistance 35 milliohms max after environmental testing

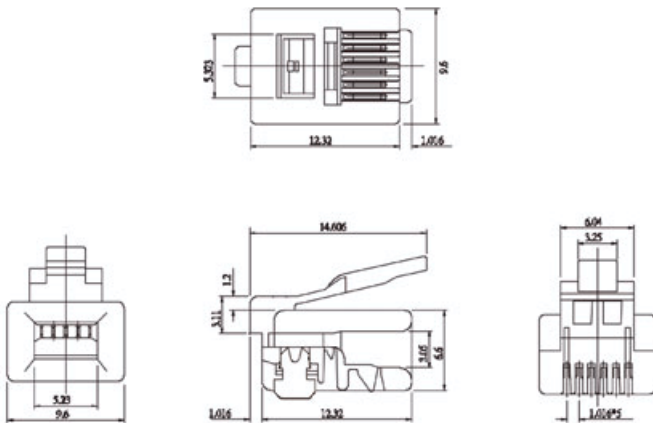
**Mechanical:**

Cable-to-Plug Tensile Strength: 20 lbs min  
 Durability: 2000 mating cycles

**Material & Finish:**

Housing: polycarbonate, UL94V-2  
 Color: clear  
 Contact Blade: phosphor bronze  
 Conductor: stranded & solid wire, 24, 26 AWG

**Dimensions (mm)**



**Ordering Information**

<b>AJP21A</b>	<b>6X13</b>	<b>-120</b>
Type	Positions Contacts	Wire Type Plating
Style	2, 4, 6	1=Flat 3=30u"

[www.DataSheet4U.com](http://www.DataSheet4U.com)

Standard configurations are in red.

1=Stranded Wire  
 2=94V2 Plastic Type  
 0=No Options

**Technical Data**

**Electrical:**

UL Applications: 250 volts AC max at 2 amps  
 Dielectric Withstanding Voltage: 500 volts AC  
 Insulation Resistance: 500 megohms  
 Termination: resistance 35 milliohms max after environmental testing

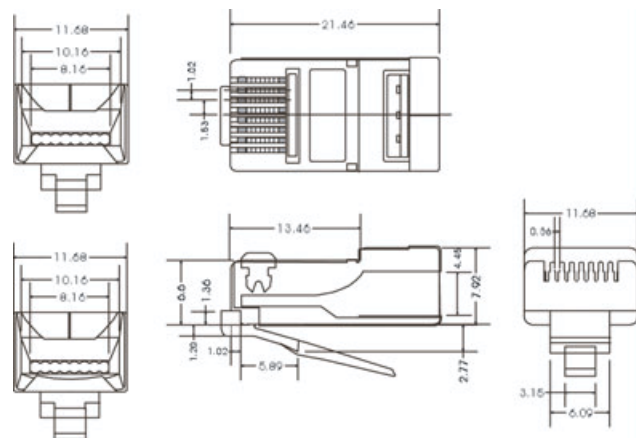
**Mechanical:**

Cable-to-Plug Tensile Strength: 20 lbs min  
 Durability: 2000 mating cycles

**Material & Finish:**

Housing: polycarbonate, UL94V-2  
 Color: clear  
 Contact Blade: phosphor bronze  
 Conductor: stranded, 24, 26 AWG

**Dimensions (mm)**



**Ordering Information**

<b>AJP23B</b>	<b>88X3</b>	<b>-129</b>
Type	Positions Contacts	Wire Type Plating
Style	2, 4, 6	1=Flat 2=Round 3=30u"

Standard configurations are in red.

1=Stranded Wire  
 2=94V2 Plastic Type  
 9=Shielded