



# AK09911

## 3-axis Electronic Compass

### 1. Features

- A 3-axis electronic compass IC with high sensitive Hall sensor technology.
- Best adapted to pedestrian city navigation use for cell phone and other portable appliance.
- Functions:
  - 3-axis magnetometer device suitable for compass application
  - Built-in A to D Converter for magnetometer data out
  - 14-bit data out for each 3-axis magnetic component
    - Sensitivity: 0.6  $\mu$ T/LSB (typ.)
  - Serial interface
    - I<sup>2</sup>C bus interface
      - Standard, Fast and High-speed mode (up to 2.5 MHz) compliant with Philips I2C specification Ver.2.1
  - Operation mode
    - Power-down, Single measurement, Continuous measurement, Self-test and Fuse ROM access
  - DRDY function for measurement data ready
  - Magnetic sensor overflow monitor function
  - Built-in oscillator for internal clock source
  - Power on Reset circuit
  - Self test function with internal magnetic source
- Operating temperatures:
  - -30°C to +85°C
- Operating supply voltage:
  - Analog power supply +2.4V to +3.6V
  - Digital Interface supply +1.65V to analog power supply voltage
- Current consumption:
  - Power-down: 3  $\mu$ A (typ.)
  - Measurement:
    - Average current consumption at 100 Hz repetition rate: 2.4 mA (typ.)
- Package:
  - AK09911C 8-pin WL-CSP (BGA): 1.2 mm  $\times$  1.2 mm  $\times$  0.5 mm (typ.)

## 2. Overview

AK09911 is 3-axis electronic compass IC with high sensitive Hall sensor technology.

Small package of AK09911 incorporates magnetic sensors for detecting terrestrial magnetism in the X-axis, Y-axis, and Z-axis, a sensor driving circuit, signal amplifier chain, and an arithmetic circuit for processing the signal from each sensor. Self test function is also incorporated. From its compact foot print and thin package feature, it is suitable for map heading up purpose in GPS-equipped cell phone to realize pedestrian navigation function.

AK09911 has the following features:

- (1) Silicon monolithic Hall-effect magnetic sensor with magnetic concentrator realizes 3-axis magnetometer on a silicon chip. Analog circuit, digital logic, power block and interface block are also integrated on a chip.
- (2) Wide dynamic measurement range and high resolution with lower current consumption.
  - Output data resolution: 14-bit (0.6  $\mu$ T/LSB)
  - Measurement range:  $\pm 4900 \mu$ T
  - Average current at 100 Hz repetition rate: 2.4 mA (typ.)
- (3) Digital serial interface
  - I<sup>2</sup>C bus interface to control AK09911 functions and to read out the measured data by external CPU. A dedicated power supply for I<sup>2</sup>C bus interface can work in low-voltage apply as low as 1.65V.
- (4) DRDY register informs to system that measurement is end and set of data in registers are ready to be read.
- (5) Device is worked by on-chip oscillator so no external clock source is necessary.
- (6) Self test function with internal magnetic source to confirm magnetic sensor operation on end products.

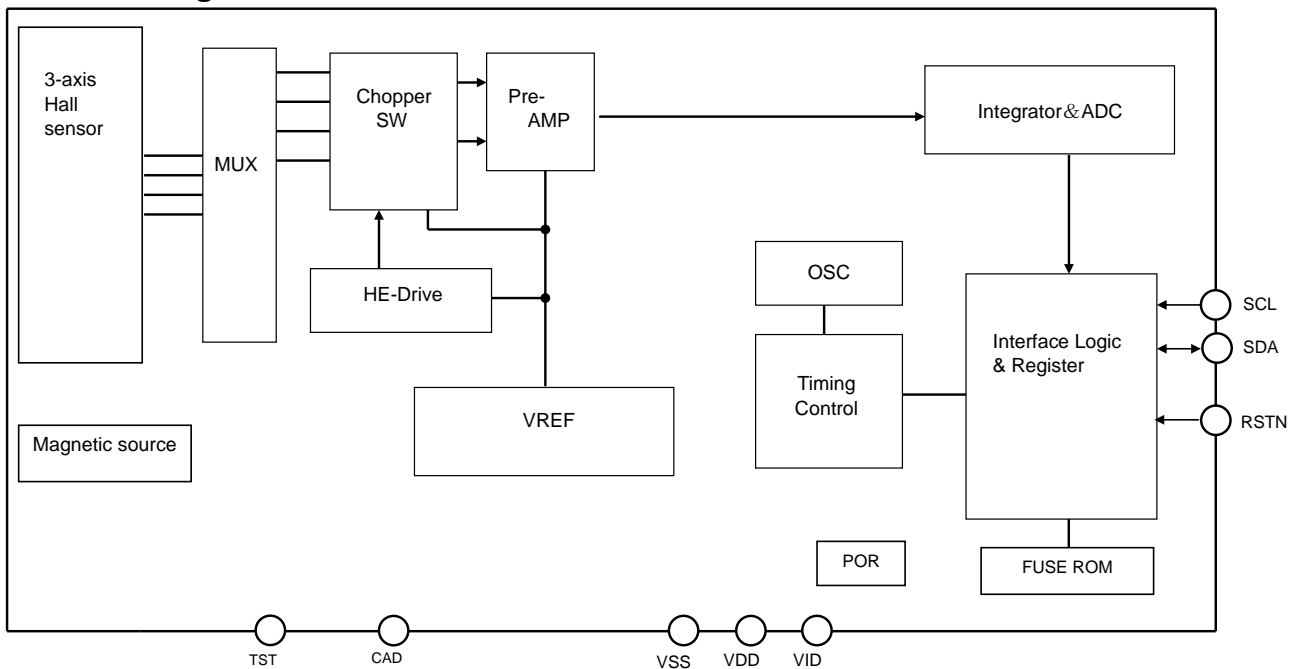
### 3. Table of Contents

1. Features .....	1
2. Overview.....	2
3. Table of Contents.....	3
4. Circuit Configuration.....	5
4.1. Block Diagram .....	5
4.2. Block Function .....	5
4.3. Pin Function .....	6
5. Overall Characteristics .....	7
5.1. Absolute Maximum Ratings .....	7
5.2. Recommended Operating Conditions .....	7
5.3. Electrical Characteristics .....	7
5.3.1. DC Characteristics .....	7
5.3.2. AC Characteristics .....	8
5.3.3. Analog Circuit Characteristics .....	9
5.3.4. I <sup>2</sup> C Bus Interface .....	10
6. Function Explanation.....	13
6.1. Power States.....	13
6.2. Reset Functions.....	13
6.3. Operation Mode .....	14
6.4. Description of Each Operation Mode .....	15
6.4.1. Power-down Mode .....	15
6.4.2. Single Measurement Mode.....	15
6.4.3. Continuous Measurement Mode 1, 2, 3 and 4 .....	16
6.4.4. Self-test Mode .....	19
6.4.5. Fuse ROM Access Mode .....	19
7. Serial Interface .....	20
7.1. Data Transfer .....	20
7.1.1. Change of Data .....	20
7.1.2. Start/Stop Condition .....	20
7.1.3. Acknowledge .....	21
7.1.4. Slave Address .....	21
7.2. WRITE Instruction.....	22
7.3. READ Instruction .....	23
7.3.1. One Byte READ .....	23
7.3.2. Multiple Byte READ .....	23
7.4. High-speed Mode (Hs-mode) .....	24
8. Registers .....	25
8.1. Description of Registers .....	25
8.2. Register Map .....	26
8.3. Detailed of Description of Register.....	27
8.3.1. WIA: Who I Am.....	27
8.3.2. INFO: Information .....	27
8.3.3. ST1: Status 1.....	27
8.3.4. HXL to HZH: Measurement data.....	28
8.3.5. TMPS: Dummy Register .....	28
8.3.6. ST2: Status 2.....	29
8.3.7. CNTL1: Dummy Register.....	29
8.3.8. CNTL2: Control 2 .....	29
8.3.9. CNTL3: Control 3 .....	30
8.3.10. TS1: Test.....	30
8.3.11. ASAX, ASAY, ASAZ: Sensitivity Adjustment Values.....	30
9. Example of Recommended External Connection .....	31
10. Package.....	32
10.1. Marking .....	32
10.2. Pin Assignment.....	32
10.3. Outline Dimensions .....	33

10.4. Recommended Foot Print Pattern.....33  
11. Relationship between the Magnetic Field and Output Code.....34

## 4. Circuit Configuration

### 4.1. Block Diagram



### 4.2. Block Function

Block	Function
3-axis Hall sensor	Monolithic Hall elements.
MUX	Multiplexer for selecting Hall elements.
Chopper SW	Performs chopping.
HE-Drive	Magnetic sensor drive circuit for constant-current driving of sensor.
Pre-AMP	Fixed-gain differential amplifier used to amplify the magnetic sensor signal.
Intergrator & ADC	Integrates and amplifies pre-AMP output and performs analog-to-digital conversion.
OSC	Generates an operating clock for sensor measurement.
POR	Power On Reset circuit. Generates reset signal on rising edge of VDD.
VREF	Generates reference voltage and current.
Interface Logic & Register	Exchanges data with an external CPU. I2C bus interface using two pins, namely, SCL and SDA. Standard, Fast and High-speed modes are supported. The low-voltage specification can be supported by applying 1.65V to the VID pin.
Timing Control	Generates a timing signal required for internal operation from a clock generated by the OSC.
Magnetic Source	Generates magnetic field for self test of magnetic sensor.
FUSE ROM	Fuse for adjustment.

**4.3. Pin Function**

Pin No.	Pin name	I/O	Power supply	Type	Function
A1	VDD	-	-	Power	Positive power supply pin.
A2	CAD	I	VDD	CMOS	Slave address input pin. Connect to VSS or VDD,
A3	TST	I/O	VDD	CMOS	Test pin. Pulled down by 100kΩ internal resistor. Keep this pin electrically non-connected.
B1	VSS	-	-	Power	Ground pin.
B3	SCL	I	VID	CMOS	Control data clock input pin Input: Schmidt trigger
C1	VID	-	-	Power	Digital interface positive power supply pin.
C2	RSTN	I	VID	CMOS	Reset pin. Resets registers by setting to "L".
C3	SDA	I/O	VID	CMOS	Control data input/output pin Input: Schmidt trigger, Output: Open drain

## 5. Overall Characteristics

### 5.1. Absolute Maximum Ratings

$V_{SS}=0V$

Parameter	Symbol	Min.	Max.	Unit
Power supply voltage (Vdd, Vid)	V+	-0.3	+4.3	V
Input voltage	VIN	-0.3	(V+)+0.3	V
Input current	IIN	-	±10	mA
Storage temperature	Tst	-40	+125	°C

(Note 1) If the device is used in conditions exceeding these values, the device may be destroyed. Normal operations are not guaranteed in such exceeding conditions.

### 5.2. Recommended Operating Conditions

$V_{SS}=0V$

Parameter	Remark	Symbol	Min.	Typ.	Max.	Unit
Operating temperature		Ta	-30		+85	°C
Power supply voltage	VDD pin voltage	Vdd	2.4	3.0	3.6	V
	VID pin voltage	Vid	1.65		Vdd	V

### 5.3. Electrical Characteristics

The following conditions apply unless otherwise noted:

Vdd=2.4V to 3.6V, Vid=1.65V to Vdd, Temperature range=-30°C to 85°C

#### 5.3.1. DC Characteristics

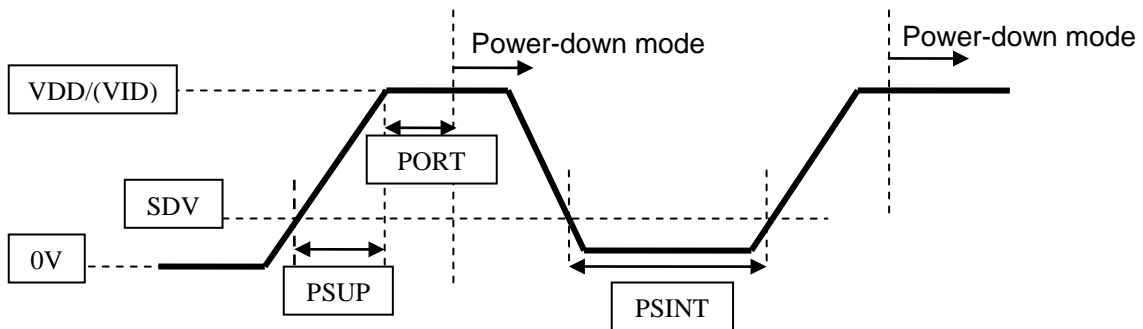
Parameter	Symbol	Pin	Condition	Min.	Typ.	Max.	Unit
High level input voltage 1	VIH1	RSTN		70% Vid		Vid+0.3	V
		SCL SDA		70% Vid			
Low level input voltage 1	VIL1	RSTN SCL SDA		-0.3		30% Vid	V
High level input voltage 2	VIH2	TST		70% Vdd		Vdd+0.3	V
Low level input voltage 2	VIL2	CAD		-0.3		30% Vdd	V
Input current 1	IIN1	RSTN SCL SDA	Vin=Vss or Vid	-10		+10	μA
		CAD	Vin=Vss or Vdd	-10		+10	
Input current 2	IIN2	TST	Vin=Vdd			100	μA
Hysteresis input voltage (Note 2)	VHS	SCL SDA	Vid≥2V	5% Vid			V
			Vid<2V	10% Vid			
Low level output voltage (Note 3)	VOL	SDA	IOL≤+3mA Vid≥2V			0.4	V
			IOL≤+3mA Vid<2V			20% Vid	
Current consumption (Note 4)	IDD1	VDD VID	Power-down mode Vdd=Vid=3.0V		3	6	μA
	IDD2		When magnetic sensor is driven		3	6	mA
	IDD3		Self-test mode		5	8	mA
	IDD4		(Note 5)		0.1	5	μA

- (Note 2) Schmitt trigger input (reference value for design)
- (Note 3) Output is open-drain. Connect a pull-up resistor externally. Maximum capacitive load: 400pF (Capacitive load of each bus line for I2C bus interface).
- (Note 4) Without any resistance load. It does not include the current consumed by external loads (pull-down resistor, etc.). RSTN, SDA, SCL = Vid or 0V. CAD = Vdd or 0V.
- (Note 5) (case 1) Vdd=ON, Vid=ON, RSTN pin = "L". (case 2) Vdd=ON, Vid=OFF (0V), RSTN pin = "L". (case 3) Vdd=OFF (0V), Vid=ON.

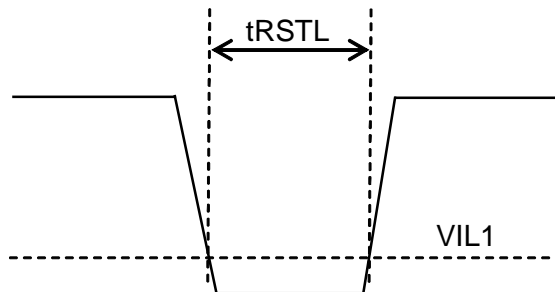
5.3.2. AC Characteristics

Parameter	Symbol	Pin	Condition	Min.	Typ.	Max.	Unit
Power supply rise time (Note 6)	PSUP	VDD VID	Period of time that VDD (VID) changes from 0.2V to Vdd (Vid).			50	ms
POR completion time (Note 6)	PORT		Period of time after PSUP to Power-down mode (Note 7)			100	μs
Power supply turn off voltage (Note 6)	SDV	VDD VID	Turn off voltage to enable POR to restart (Note 7)			0.2	V
Power supply turn on interval (Note 6)	PSINT	VDD VID	Period of time that voltage lower than SDV needed to be kept to enable POR to restart (Note 7)	100			μs
Wait time before mode setting	Twat			100			μs

- (Note 6) Reference value for design.
- (Note 7) When POR circuit detects the rise of VDD/VID voltage, it resets internal circuits and initializes the registers. After reset, AK09911 transits to Power-down mode.



Parameter	Symbol	Pin	Condition	Min.	Typ.	Max.	Unit
Reset input effective pulse width ("L")	tRSTL	RSTN		5			μs





## 5.3.3. Analog Circuit Characteristics

Parameter	Symbol	Condition	Min.	Typ.	Max.	Unit
Measurement data output bit	DBIT		-	14	-	bit
Time for measurement	TSM	Single measurement mode		7.2	8.5	ms
Magnetic sensor sensitivity (Note 8)	BSE	Tc = 25 °C	0.57	0.6	0.63	μT/LSB
Magnetic sensor measurement range (Note 9)	BRG	Tc = 25 °C	±4912			μT
Magnetic sensor initial offset (Note 10)		Tc = 25 °C	-500		+500	LSB

(Note 8) Value after sensitivity is adjusted using sensitivity fine adjustment data stored in Fuse ROM.

(Note 9) Reference value for design

(Note 10) Value of measurement data register on shipment without applying magnetic field on purpose.

5.3.4. I<sup>2</sup>C Bus Interface

I<sup>2</sup>C bus interface is compliant with Standard mode, Fast mode and High-speed mode. Standard/Fast mode is selected automatically by fSCL.

- Standard mode

fSCL ≤ 100kHz

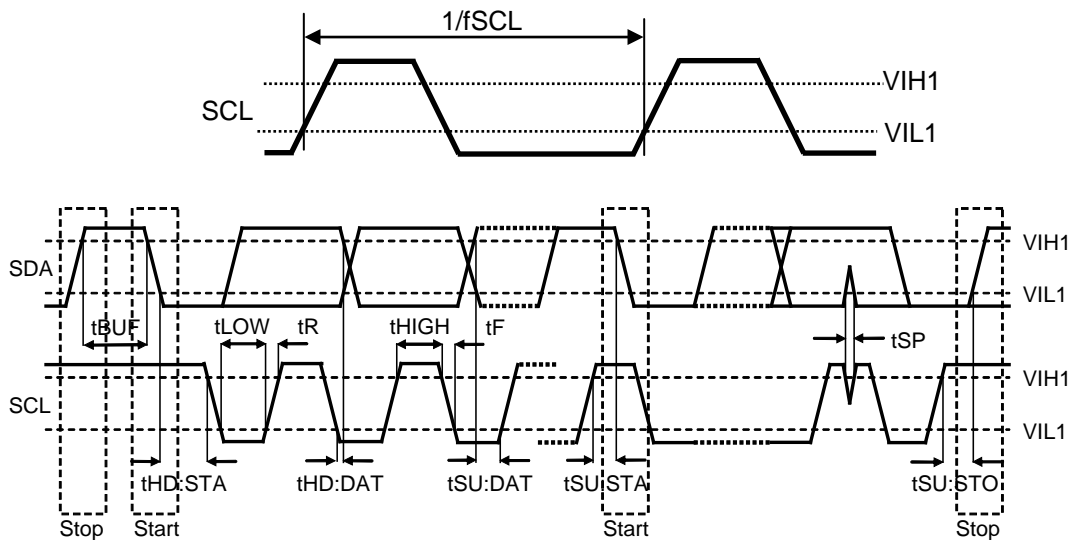
Symbol	Parameter	Min.	Typ.	Max.	Unit
fSCL	SCL clock frequency			100	kHz
tHIGH	SCL clock "High" time	4.0			μs
tLOW	SCL clock "Low" time	4.7			μs
tR	SDA and SCL rise time			1.0	μs
tF	SDA and SCL fall time			0.3	μs
tHD:STA	Start Condition hold time	4.0			μs
tSU:STA	Start Condition setup time	4.7			μs
tHD:DAT	SDA hold time (vs. SCL falling edge)	0			μs
tSU:DAT	SDA setup time (vs. SCL rising edge)	250			ns
tSU:STO	Stop Condition setup time	4.0			μs
tBUF	Bus free time	4.7			μs

- Fast mode

100Hz ≤ fSCL ≤ 400kHz

Symbol	Parameter	Min.	Typ.	Max.	Unit
fSCL	SCL clock frequency			400	kHz
tHIGH	SCL clock "High" time	0.6			μs
tLOW	SCL clock "Low" time	1.3			μs
tR	SDA and SCL rise time			0.3	μs
tF	SDA and SCL fall time			0.3	μs
tHD:STA	Start Condition hold time	0.6			μs
tSU:STA	Start Condition setup time	0.6			μs
tHD:DAT	SDA hold time (vs. SCL falling edge)	0			μs
tSU:DAT	SDA setup time (vs. SCL rising edge)	100			ns
tSU:STO	Stop Condition setup time	0.6			μs
tBUF	Bus free time	1.3			μs
tSP	Noise suppression pulse width			50	ns

[I<sup>2</sup>C bus interface timing]

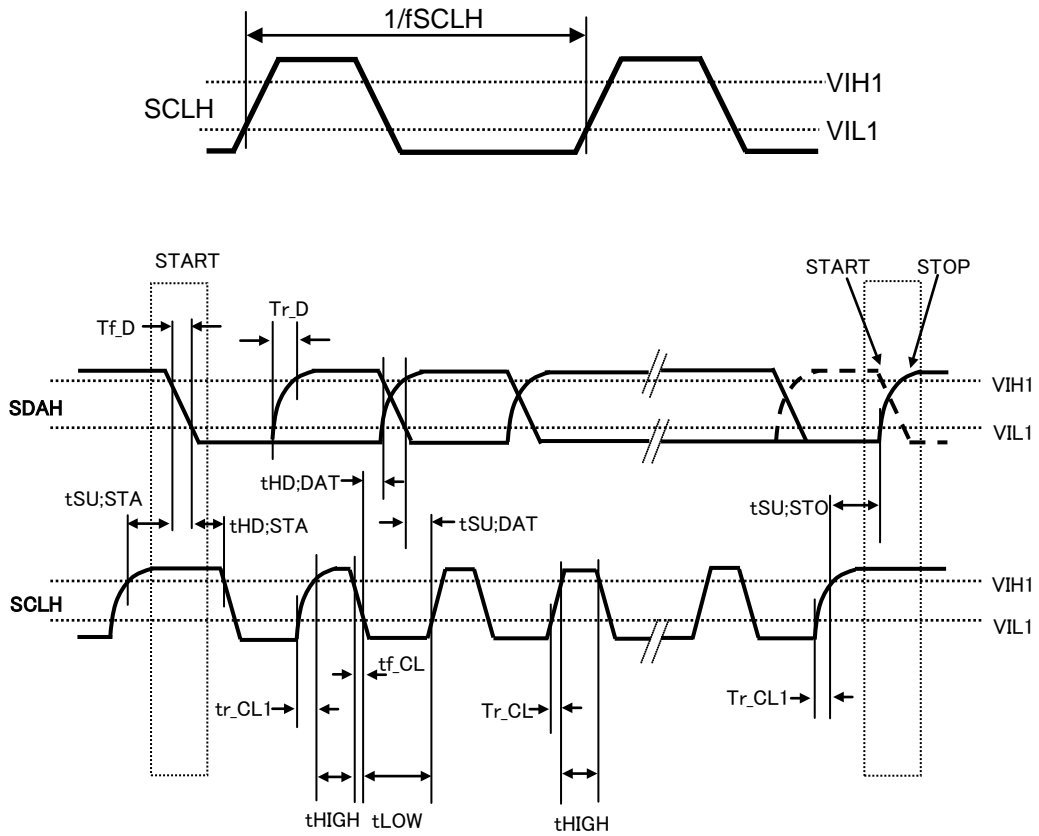


- High-speed mode (Hs-mode)  
 >  $C_b \leq 100\text{pF}$  ( $C_b$ : load capacitance)  
 $f_{\text{SCLH}} \leq 2.5\text{MHz}$

Symbol	Parameter	Min.	Typ.	Max.	Unit
fSCLH	SCLH clock frequency			2.5	MHz
tHIGH	SCLH clock "High" time	110			ns
tLOW	SCLH clock "Low" time	220			ns
tR_CL	SCLH rise time	10		40	ns
tR_CL1	SCLH rise time after a repeated START condition and after an acknowledge bit	10		80	ns
tR_DA	SDAH rise time	10		80	ns
tF_CL	SCLH fall time	-		40	ns
tF_DA	SDAH fall time	-		80	ns
tHD:STA	Start Condition hold time	160			ns
tSU:STA	Start Condition setup time	160			ns
tHD:DAT	SDAH hold time (vs. SCLH falling edge)	0			ns
tSU:DAT	SDAH setup time (vs. SCLH rising edge)	10			ns
tSU:STO	Stop Condition setup time	160			ns
tSP	Noise suppression pulse width			10	ns

- >  $C_b \leq 400\text{pF}$   
 $f_{\text{SCLH}} \leq 1.7\text{MHz}$

Symbol	Parameter	Min.	Typ.	Max.	Unit
fSCLH	SCLH clock frequency			1.7	MHz
tHIGH	SCLH clock "High" time	120			ns
tLOW	SCLH clock "Low" time	320			ns
tR_CL	SCLH rise time	20		80	ns
tR_CL1	SCLH rise time after a repeated START condition and after an acknowledge bit	20		160	ns
tR_DA	SDAH rise time	20		160	ns
tF_CL	SCLH fall time	-		80	ns
tF_DA	SDAH fall time	-		160	ns
tHD:STA	Start Condition hold time	160			ns
tSU:STA	Start Condition setup time	160			ns
tHD:DAT	SDAH hold time (vs. SCLH falling edge)	0			ns
tSU:DAT	SDAH setup time (vs. SCLH rising edge)	10			ns
tSU:STO	Stop Condition setup time	160			ns
tSP	Noise suppression pulse width			10	ns



## 6. Function Explanation

### 6.1. Power States

When VDD and VID are turned on from Vdd=OFF (0V) and Vid=OFF (0V), all registers in AK09911 are initialized by POR circuit and AK09911 transits to Power-down mode.

All the states in the table below can be set, although the transition from state 2 to state 3 and the transition from state 3 to state 2 are prohibited.

Table 6.1. Power state

State	VDD	VID	Power state
1	OFF (0V)	OFF (0V)	OFF (0V). It doesn't affect external interface. Digital input pins other than SCL and SDA pin should be fixed to "L"(0V).
2	OFF (0V)	1.65V to 3.6V	OFF (0V) It doesn't affect external interface.
3	2.4V to 3.6V	OFF (0V)	OFF(0V) It doesn't affect external interface. Digital input pins other than SCL and SDA pin should be fixed to "L"(0V).
4	2.4V to 3.6V	1.65V to Vdd	ON

### 6.2. Reset Functions

When the power state is ON, always keep  $V_{id} \leq V_{dd}$ .

Power-on reset (POR) works until Vdd reaches to the operation effective voltage (about 1.1V: reference value for design) on power-on sequence. After POR is deactivated, all registers are initialized and transits to Power-down mode.

When Vdd=2.4 to 3.6V, POR circuit and VID monitor circuit are active. When Vid=0V, AK09911 is in reset status and it consumes the current of reset state (IDD4).

AK09911 has four types of reset;

- (1) Power on reset (POR)  
When Vdd rise is detected, POR circuit operates, and AK09911 is reset.
- (2) VID monitor  
When VID is turned OFF, AK09911 is reset.
- (3) Reset pin (RSTN)  
AK09911 is reset by Reset pin. When Reset pin is not used, connect to VID.
- (4) Soft reset  
AK09911 is reset by setting SRST bit. When AK09911 is reset, all registers are initialized and AK09911 transits to Power-down mode.

### 6.3. Operation Mode

AK09911 has following nine operation modes:

- (1) Power-down mode
- (2) Single measurement mode
- (3) Continuous measurement mode 1
- (4) Continuous measurement mode 2
- (5) Continuous measurement mode 3
- (6) Continuous measurement mode 4
- (7) Self-test mode
- (8) Fuse ROM access mode

By setting CNTL2 register MODE[4:0] bits, the operation set for each mode is started.

A transition from one mode to another is shown below.

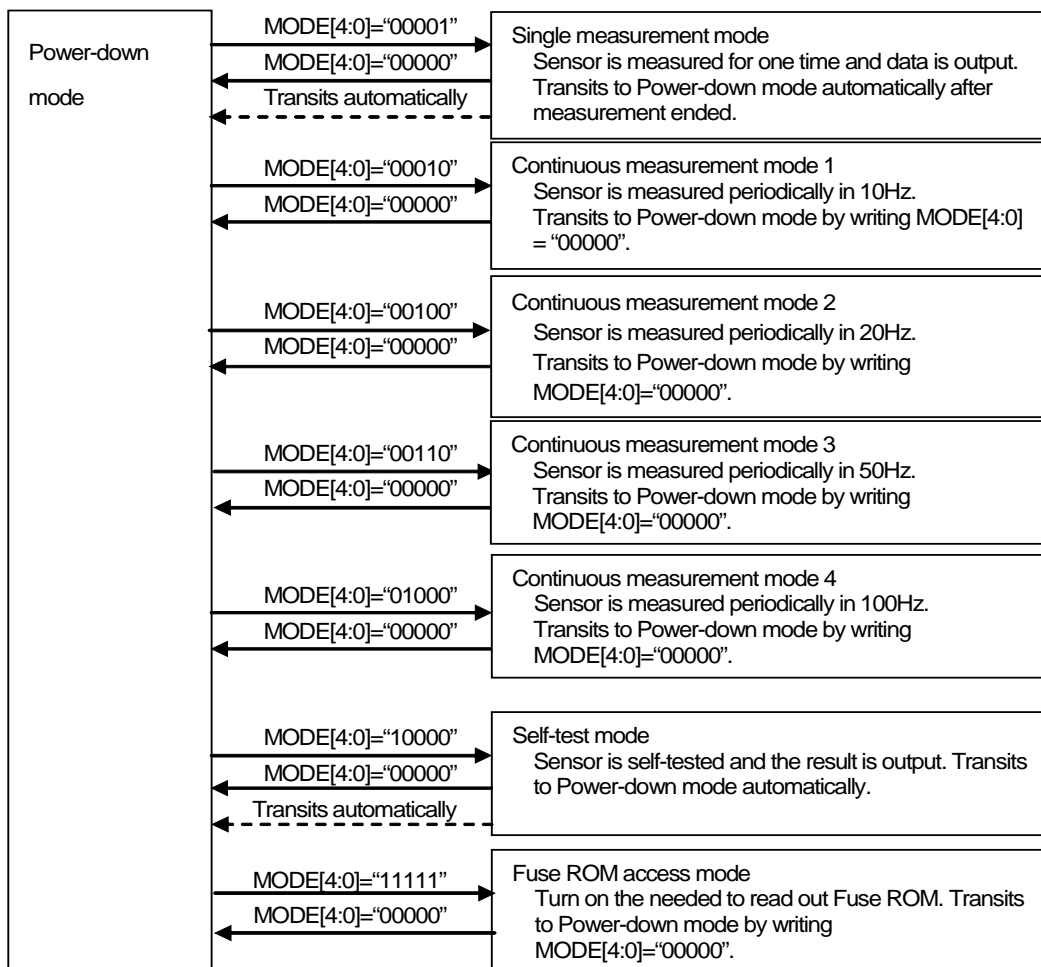


Figure 6.1. Operation mode

When power is turned ON, AK09911 is in Power-down mode. When a specified value is set to MODE[4:0], AK09911 transits to the specified mode and starts operation. When user wants to change operation mode, transit to Power-down mode first and then transit to other modes. After Power-down mode is set, at least 100  $\mu$ s ( $T_{wat}$ ) is needed before setting another mode

### 6.4. Description of Each Operation Mode

#### 6.4.1. Power-down Mode

Power to almost all internal circuits is turned off. All registers are accessible in Power-down mode. Data stored in read/write registers are remained. They can be reset by soft reset.

#### 6.4.2. Single Measurement Mode

When Single measurement mode (MODE[4:0]=“00001”) is set, magnetic sensor measurement is started. After magnetic sensor measurement and signal processing is finished, measurement magnetic data is stored to measurement data registers (HXL to HZH), then AK09911 transits to Power-down mode automatically. On transition to Power-down mode, MODE[4:0] turns to “00000”. At the same time, DRDY bit in ST1 register turns to “1”. This is called “Data Ready”. When any of measurement data register (HXL to TMPS) or ST2 register is read, DRDY bit turns to “0”. It remains “1” on transition from Power-down mode to another mode. (Figure 6.2.)

When sensor is measuring (Measurement period), measurement data registers (HXL to TMPS) keep the previous data. Therefore, it is possible to read out data even in measurement period. Data read out in measurement period are previous data.(Figure 6.3.)

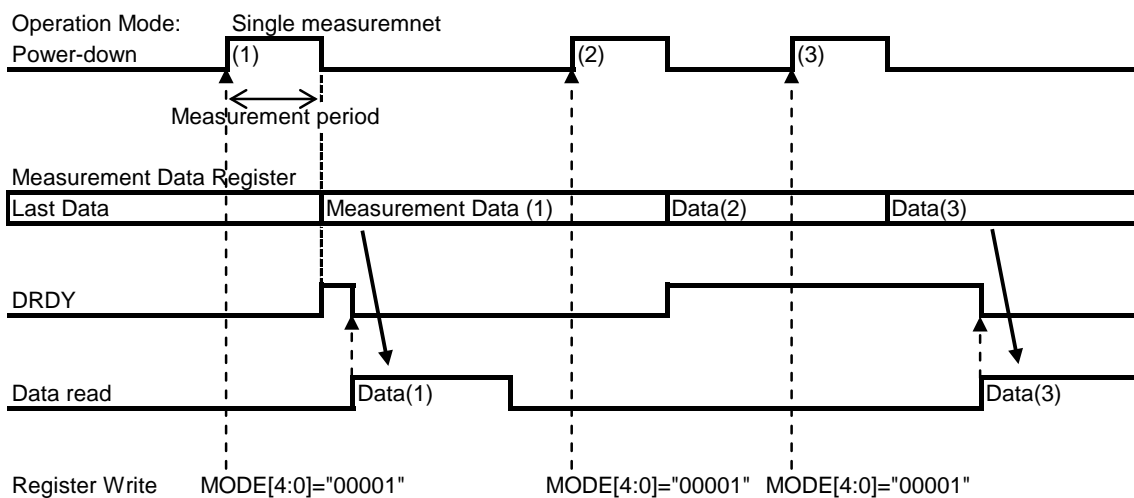


Figure 6.2. Single measurement mode when data is read out of measurement period

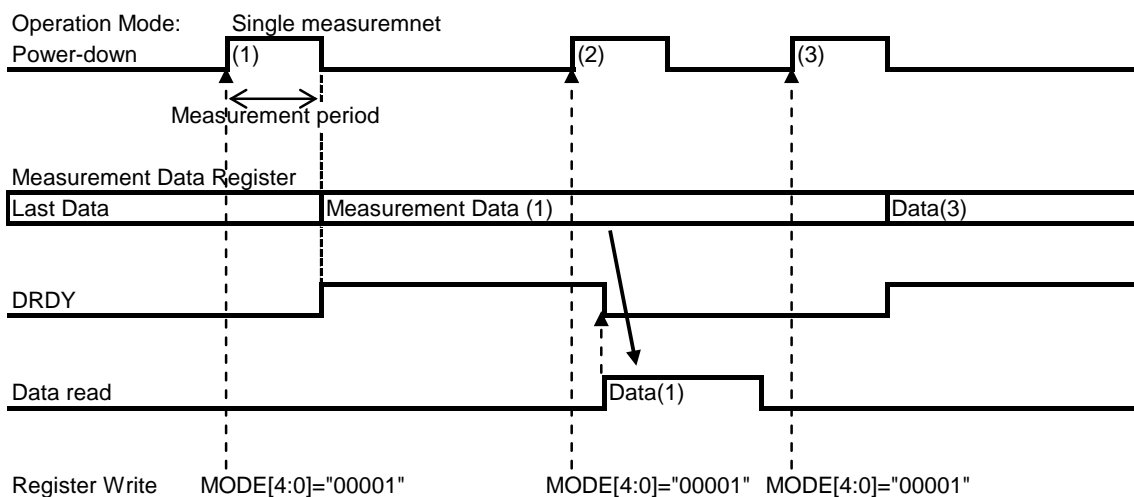


Figure 6.3. Single measurement mode when data read started during measurement period

**6.4.3. Continuous Measurement Mode 1, 2, 3 and 4**

When Continuous measurement mode 1 (MODE[4:0]=“00010”), 2 (MODE[4:0]=“00100”), 3 (MODE[4:0]=“00110”) or 4 (MODE[4:0]=“01000”) is set, magnetic sensor measurement is started periodically at 10 Hz, 20 Hz, 50 Hz or 100 Hz respectively. After magnetic sensor measurement and signal processing is finished, measurement magnetic data is stored to measurement data registers (HXL to HZH) and all circuits except for the minimum circuit required for counting cycle length are turned off (PD). When the next measurement timing comes, AK09911 wakes up automatically from PD and starts measurement again.

Continuous measurement mode ends when Power-down mode (MODE[4:0]=“00000”) is set. It repeats measurement until Power-down mode is set.

When Continuous measurement mode 1 (MODE[4:0]=“00010”), 2 (MODE[4:0]=“00100”), 3 (MODE[4:0]=“00110”) or 4 (MODE[4:0]=“01000”) is set again while AK09911 is already in Continuous measurement mode, a new measurement starts. ST1, ST2 and measurement data registers (HXL to TMPS) will not be initialized by this.

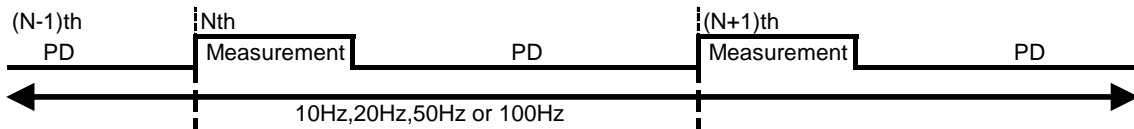


Figure 6.4. Continuous measurement mode

**6.4.3.2. Data Ready**

When measurement data is stored and ready to be read, DRDY bit in ST1 register turns to “1”. This is called “Data Ready”. When measurement is performed correctly, AK09911 becomes Data Ready on transition to PD after measurement.

**6.4.3.3. Normal Read Sequence**

- (1) Check Data Ready or not by polling DRDY bit of ST1 register
  - DRDY: Shows Data Ready or not. Not when “0”, Data Ready when “1”.
  - DOR: Shows if any data has been skipped before the current data or not. There are no skipped data when “0”, there are skipped data when “1”.

- (2) Read measurement data
 

When any of measurement data register (HXL to TMPS) or ST2 register is read, AK09911 judges that data reading is started. When data reading is started, DRDY bit and DOR bit turns to “0”.

- (3) Read ST2 register (required)
  - HOFL: Shows if magnetic sensor is overflowed or not. “0” means not overflowed, “1” means overflowed.

When ST2 register is read, AK09911 judges that data reading is finished. Stored measurement data is protected during data reading and data is not updated. By reading ST2 register, this protection is released. It is required to read ST2 register after data reading.

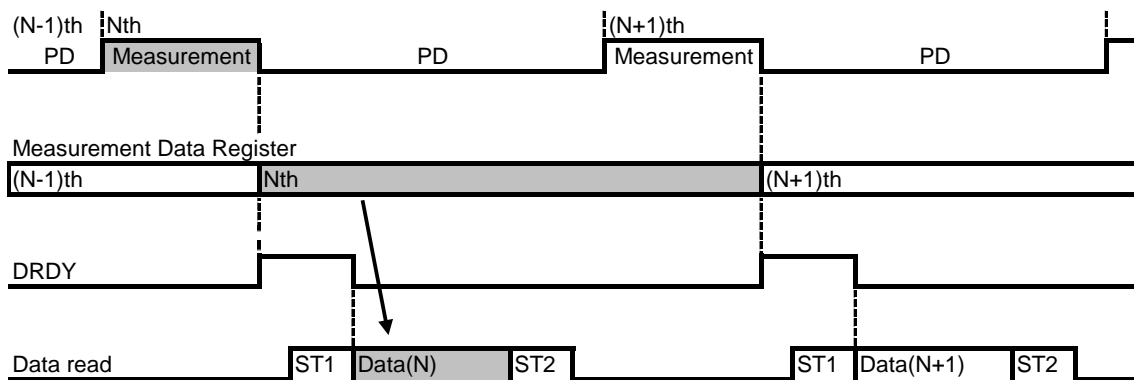


Figure 6.5. Normal read sequence



### 6.4.3.4. Data Read Start during Measurement

When sensor is measuring (Measurement period), measurement data registers (HXL to TMPS) keep the previous data. Therefore, it is possible to read out data even in measurement period. If data is started to be read during measurement period, previous data is read.

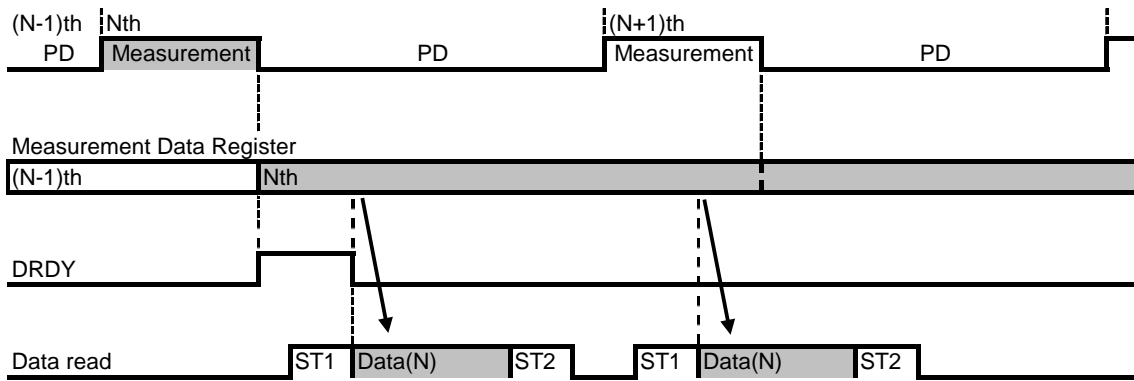


Figure 6.6. Data read start during measurement

**6.4.3.5. Data Skip**

When Nth data was not read before (N+1)th measurement ends, Data Ready remains until data is read. In this case, a set of measurement data is skipped so that DOR bit turns to “1”.

When data reading started after Nth measurement ended and did not finish reading before (N+1)th measurement ended, Nth measurement data is protected to keep correct data. In this case, a set of measurement data is skipped and not stored so that DOR bit turns to “1”.

In both case, DOR bit turns to “0” at the next start of data reading.

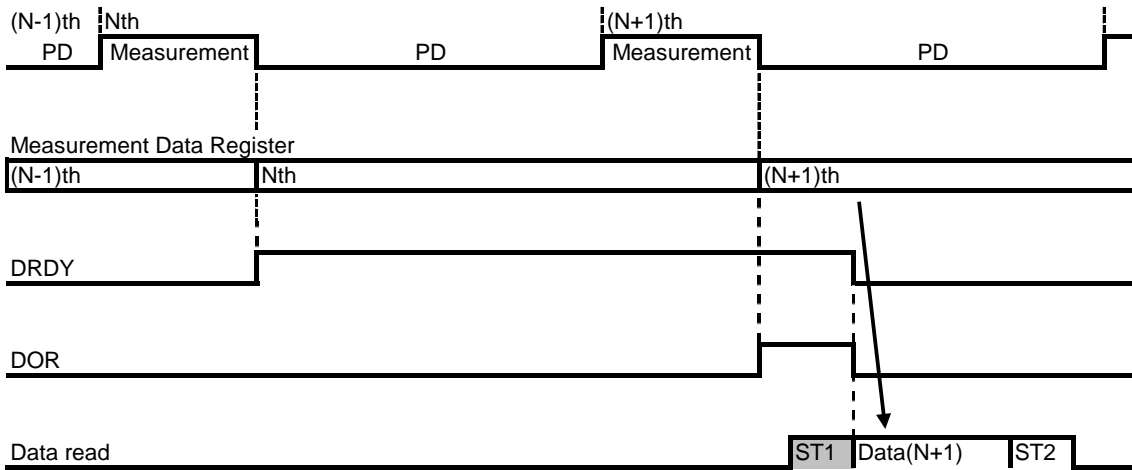


Figure 6.7. Data Skip: When data is not read

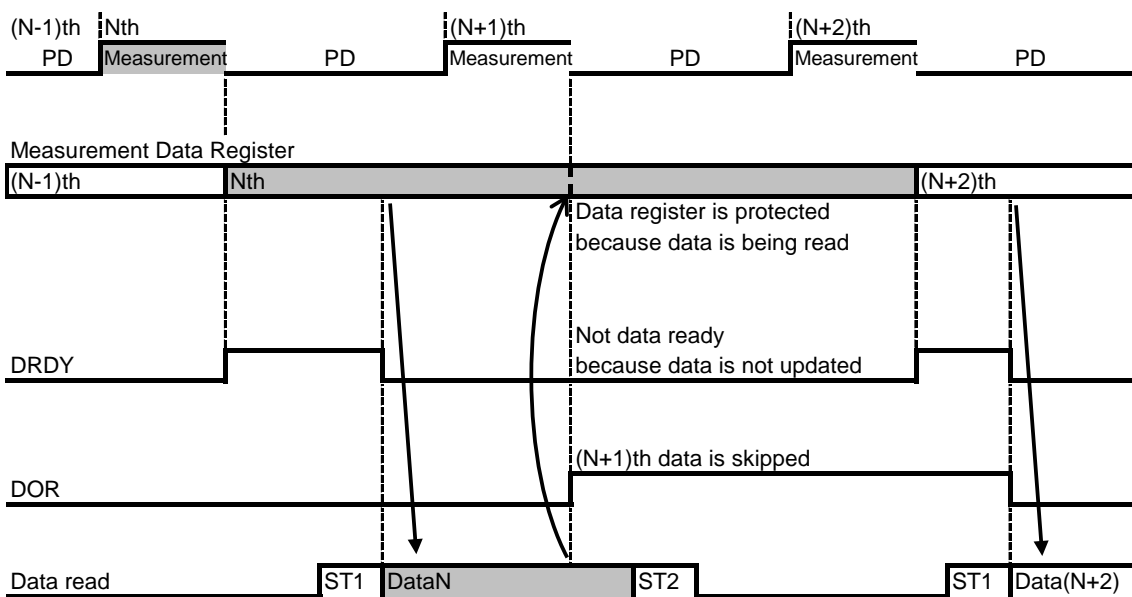


Figure 6.8. Data Skip: When data read has not been finished before the next measurement end

**6.4.3.6. End Operation**

Set Power-down mode (MODE[4:0]=“00000”) to end Continuous measurement mode.

### 6.4.3.7. Magnetic Sensor Overflow

AK09911 has the limitation for measurement range that the sum of absolute values of each axis should be smaller than 4912  $\mu\text{T}$ .

$$|X|+|Y|+|Z| < 4912 \mu\text{T}$$

When the magnetic field exceeded this limitation, data stored at measurement data are not correct. This is called Magnetic Sensor Overflow.

When magnetic sensor overflow occurs, HOFL bit turns to "1". When the next measurement starts, it returns to "0".

### 6.4.4. Self-test Mode

Self-test mode is used to check if the magnetic sensor is working normally.

When Self-test mode (MODE[4:0]="10000") is set, magnetic field is generated by the internal magnetic source and magnetic sensor is measured. Measurement data is stored to measurement data registers (HXL to HZH), then AK09911 transits to Power-down mode automatically.

Data read sequence and functions of read-only registers in Self-test mode is the same as Single measurement mode.

#### 6.4.4.1. Self-test Sequence

- (1) Set Power-down mode. (MODE[4:0]="00000")
- (2) Set Self-test mode. (MODE[4:0]="10000")
- (3) Check Data Ready or not by polling DRDY bit of ST1 register  
When Data Ready, proceed to the next step.
- (4) Read measurement data (HXL to HZH)

#### 6.4.4.2. Self-test Judgment

When measurement data read by the above sequence is in the range of following table after sensitivity adjustment (refer to 8.3.11), AK09911 is working normally.

	HX[15:0]	HY[15:0]	HZ[15:0]
Criteria	$-30 \leq \text{HX} \leq +30$	$-30 \leq \text{HY} \leq +30$	$-400 \leq \text{HZ} \leq -50$

### 6.4.5. Fuse ROM Access Mode

Fuse ROM access mode is used to read Fuse ROM data. Sensitivity adjustment data for each axis is stored in fuse ROM. Set Fuse ROM Access mode (MODE[4:0]="11111") before reading Fuse ROM data. When Fuse ROM Access mode is set, circuits required for reading fuse ROM are turned on.

After reading fuse ROM data, set Power-down mode (MODE[4:0]="00000") before the transition to another mode.

## 7. Serial Interface

The I<sup>2</sup>C bus interface of AK09911 supports the Standard mode (100 kHz max.), the Fast mode (400 kHz max.) and the High-speed mode (Hs-mode, 2.5 MHz max.).

### 7.1. Data Transfer

To access AK09911 on the bus, generate a start condition first.

Next, transmit a one-byte slave address including a device address. At this time, AK09911 compares the slave address with its own address. If these addresses match, AK09911 generates an acknowledgement, and then executes READ or WRITE instruction. At the end of instruction execution, generate a stop condition.

#### 7.1.1. Change of Data

A change of data on the SDA line must be made during “Low” period of the clock on the SCL line. When the clock signal on the SCL line is “High”, the state of the SDA line must be stable. (Data on the SDA line can be changed only when the clock signal on the SCL line is “Low”.)

During the SCL line is “High”, the state of data on the SDA line is changed only when a start condition or a stop condition is generated.

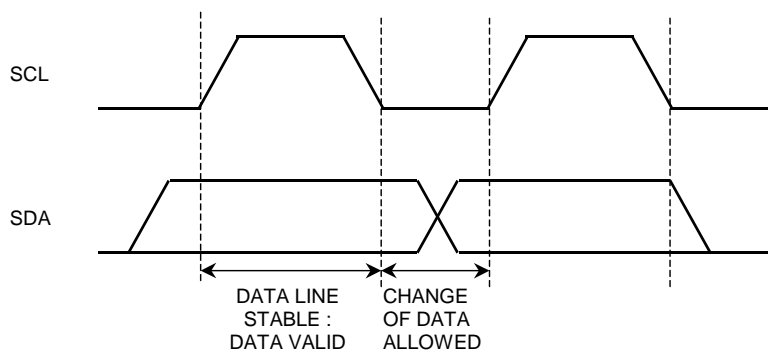


Figure 7.1. Data Change

#### 7.1.2. Start/Stop Condition

If the SDA line is driven to “Low” from “High” when the SCL line is “High”, a start condition is generated. Every instruction starts with a start condition.

If the SDA line is driven to “High” from “Low” when the SCL line is “High”, a stop condition is generated. Every instruction stops with a stop condition.

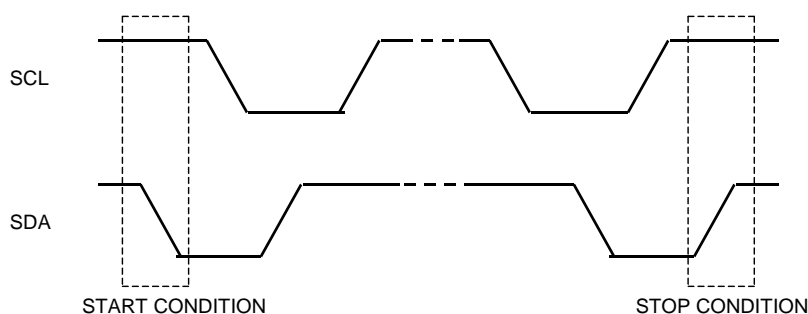


Figure 7.2. Start and Stop Condition

**7.1.3. Acknowledge**

The IC that is transmitting data releases the SDA line (in the “High” state) after sending 1-byte data. The IC that receives the data drives the SDA line to “Low” on the next clock pulse. This operation is referred as acknowledge. With this operation, whether data has been transferred successfully can be checked.

AK09911 generates an acknowledge after reception of a start condition and slave address.

When a WRITE instruction is executed, AK09911 generates an acknowledge after every byte is received.

When a READ instruction is executed, AK09911 generates an acknowledge then transfers the data stored at the specified address. Next, AK09911 releases the SDA line then monitors the SDA line. If a master IC generates an acknowledge instead of a stop condition, AK09911 transmits the 8bit data stored at the next address. If no acknowledge is generated, AK09911 stops data transmission.

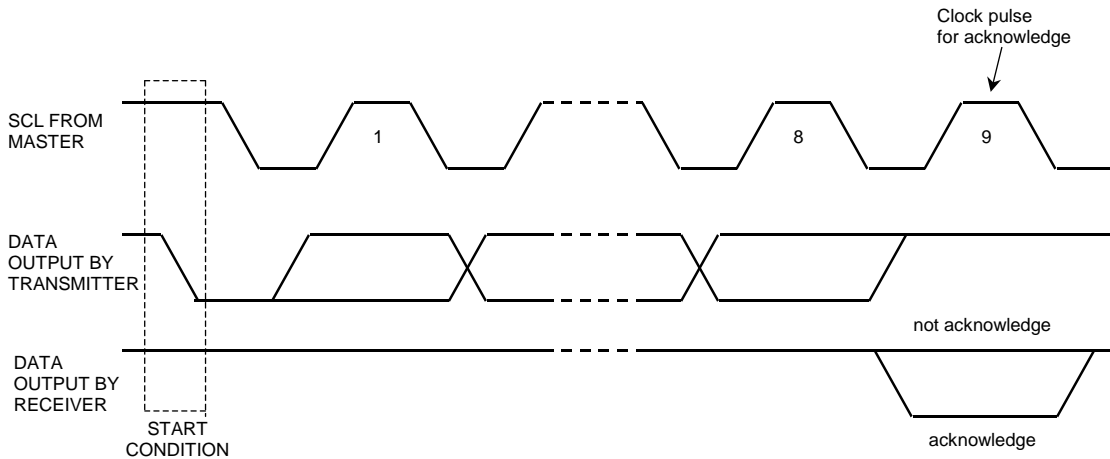


Figure 7.3. Generation of Acknowledge

**7.1.4. Slave Address**

The slave address of AK09911 can be selected from the following list by setting CAD pin. When CAD pin is fixed to VSS, the corresponding slave address bit is “0”. When CAD pin is fixed to VDD, the corresponding slave address bit is “1”.

Table 7.1. Slave Address and CAD pin

CAD	Slave Address
0	0CH
1	0DH

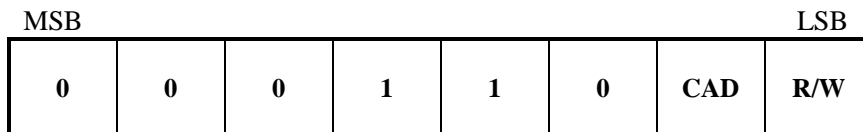


Figure 7.4. Slave Address

The first byte including a slave address is transmitted after a start condition, and an IC to be accessed is selected from the ICs on the bus according to the slave address.

When a slave address is transferred, the IC whose device address matches the transferred slave address generates an acknowledge then executes an instruction. The 8th bit (least significant bit) of the first byte is a R/W bit.

When the R/W bit is set to “1”, READ instruction is executed. When the R/W bit is set to “0”, WRITE instruction is executed.

## 7.2. WRITE Instruction

When the R/W bit is set to “0”, AK09911 performs write operation.

In write operation, AK09911 generates an acknowledge after receiving a start condition and the first byte (slave address) then receives the second byte. The second byte is used to specify the address of an internal control register and is based on the MSB-first configuration.

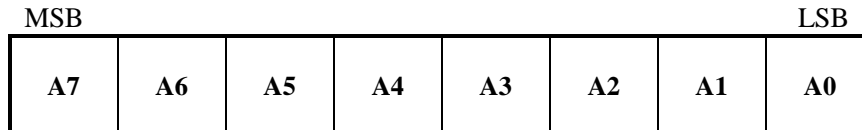


Figure 7.5. Register Address

After receiving the second byte (register address), AK09911 generates an acknowledge then receives the third byte. The third and the following bytes represent control data. Control data consists of 8 bits and is based on the MSB-first configuration. AK09911 generates an acknowledge after every byte is received. Data transfer always stops with a stop condition generated by the master.

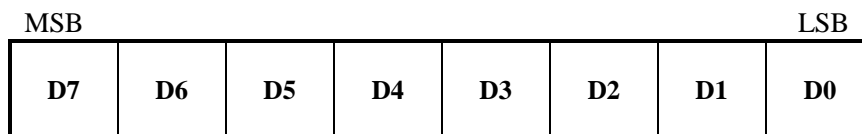


Figure 7.6. Control Data

AK09911 can write multiple bytes of data at a time.

After reception of the third byte (control data), AK09911 generates an acknowledge then receives the next data. If additional data is received instead of a stop condition after receiving one byte of data, the address counter inside the LSI chip is automatically incremented and the data is written at the next address.

The address is incremented from 00H to 18H, from 30H to 32H, or from 60H to 62H. When the address is 00H to 18H, the address is incremented 00H → 01H → 02H → 03H → 10H → 11H →... → 18H, and the address goes back to 00H after 18H. When the address is 30H to 32H, the address goes back to 30H after 32H. When the address is 60H to 62H, the address goes back to 60H after 62H.

Actual data is written only to Read/Write registers (refer to Table 8.2. ).

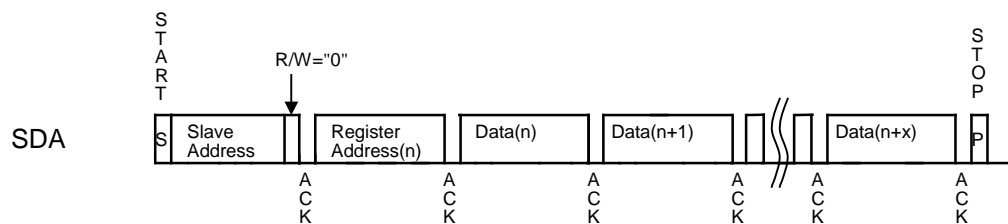


Figure 7.7. WRITE Instruction

### 7.3. READ Instruction

When the R/W bit is set to “1”, AK09911 performs read operation.

If a master IC generates an acknowledge instead of a stop condition after AK09911 transfers the data at a specified address, the data at the next address can be read.

Address can be 00H to 18H, 30H to 32H, and 60H to 62H. When the address is 00H to 18H, the address is incremented 00H → 01H → 02H → 03H → 10H → 11H →... → 18H, and the address goes back to 00H after 18H. When the address is 30H to 32H, the address goes back to 30H after 32H. When the address is 60H to 62H, the address goes back to 60H after 62H. AK09911 supports one byte read and multiple byte read.

#### 7.3.1. One Byte READ

AK09911 has an address counter inside the LSI chip. In current address read operation, the data at an address specified by this counter is read.

The internal address counter holds the next address of the most recently accessed address.

For example, if the address most recently accessed (for READ instruction) is address “n”, and a current address read operation is attempted, the data at address “n+1” is read.

In one byte read operation, AK09911 generates an acknowledge after receiving a slave address for the READ instruction (R/W bit=“1”). Next, AK09911 transfers the data specified by the internal address counter starting with the next clock pulse, then increments the internal counter by one. If the master IC generates a stop condition instead of an acknowledge after AK09911 transmits one byte of data, the read operation stops.

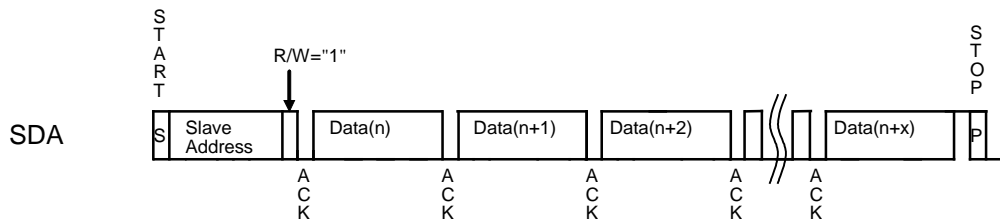


Figure 7.8. One Byte READ

#### 7.3.2. Multiple Byte READ

By multiple byte read operation, data at an arbitrary address can be read.

The multiple byte read operation requires to execute WRITE instruction as dummy before a slave address for the READ instruction (R/W bit=“1”) is transmitted. In random read operation, a start condition is first generated then a slave address for the WRITE instruction (R/W bit=“0”) and a read address are transmitted sequentially.

After AK09911 generates an acknowledge in response to this address transmission, a start condition and a slave address for the READ instruction (R/W bit=“1”) are generated again. AK09911 generates an acknowledge in response to this slave address transmission. Next, AK09911 transfers the data at the specified address then increments the internal address counter by one. If the master IC generates a stop condition instead of an acknowledge after data is transferred, the read operation stops.

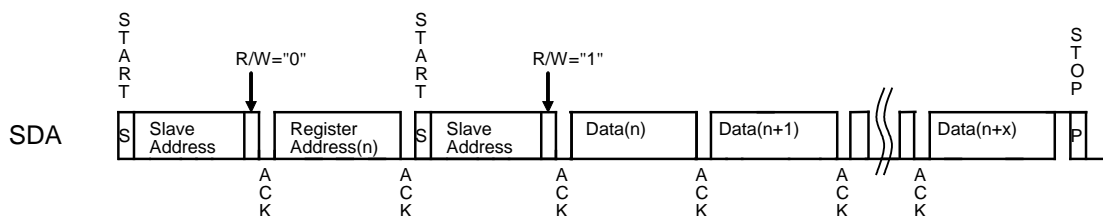


Figure 7.9. Multiple Byte READ

### 7.4. High-speed Mode (Hs-mode)

AK09911 supports the Hs-mode.

Hs-mode can only commence after the following conditions (all of which are in Fast/Standard-mode):

- START condition (S)
- 8-bit master code (00001XXX)
- not-acknowledge bit ( $\bar{A}$ )

The diagram below shows data flow of the Hs-mode.

After start condition, feed master code 00001XXX for transfer to the Hs-mode. And then AK09911 feeds back not-acknowledge bit and switch over to circuit for the Hs-mode between times  $t_1$  and  $t_H$ . AK09911 can communicate at the Hs-mode from next START condition. At time  $t_{FS}$ , AK09911 switches its internal circuit from the Hs-mode to the First mode with the STOP condition (P). This transfer completes in the bus free time ( $t_{BUF}$ ).

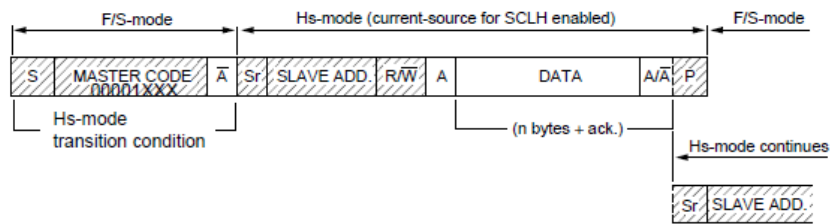


Figure 7.10. Data transfer format in Hs-mode

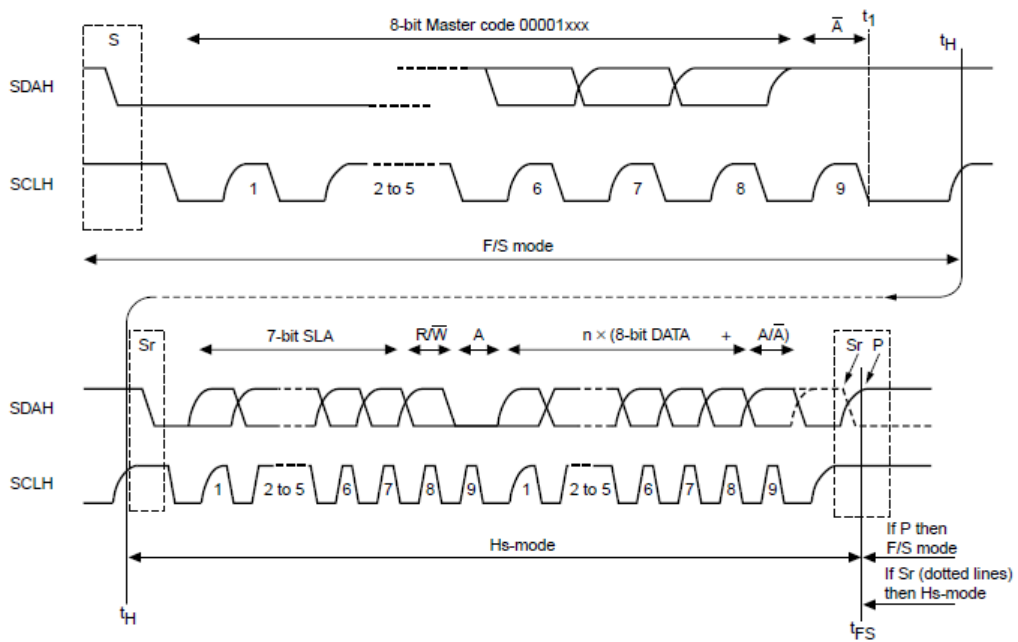


Figure 7.11. Hs-mode transfer



## 8. Registers

### 8.1. Description of Registers

AK09911 has registers of 20 addresses as indicated in Every address consists of 8 bits data. Data is transferred to or received from the external CPU via the serial interface described previously.

Table 8.1. Register Table

Name	Address	READ/ WRITE	Description	Bit width	Remarks
WIA1	00H	READ	Company ID	8	
WIA2	01H	READ	Device ID	8	
INFO1	02H	READ	Information 1	8	
INFO2	03H	READ	Information 2	8	
ST1	10H	READ	Status 1	8	Data status
HXL	11H	READ	Measurement Magnetic Data	8	X-axis data
HXH	12H	READ		8	Y-axis data
HYL	13H	READ		8	
HYH	14H	READ		8	
HZL	15H	READ		8	Z-axis data
HZH	16H	READ		8	
TMPS	17H	READ	Dummy Register	8	Dummy
ST2	18H	READ	Status 2	8	Data status
CNTL1	30H	READ/ WRITE	Dummy Register	8	Dummy
CNTL2	31H	READ/ WRITE	Control 2	8	Control settings
CNTL3	32H	READ/ WRITE	Control 3	8	Control settings
TS1	33H	READ/ WRITE	Test	8	DO NOT ACCESS
ASAX	60H	READ	X-axis sensitivity adjustment value	8	Fuse ROM
ASAY	61H	READ	Y-axis sensitivity adjustment value	8	Fuse ROM
ASAZ	62H	READ	Z-axis sensitivity adjustment value	8	Fuse ROM

Addresses 00H to 18H, 30H to 32H and 60H to 62H are compliant with automatic increment function of serial interface respectively. Values of addresses 60H to 62H can be read only in Fuse ROM access mode. In other modes, read data is not correct. When the address is in 00H to 18H, the address is incremented 00H → 01H → 02H → 03H → 10H → 11H →... → 18H, and the address goes back to 00H after 18H. When the address is in 30H to 32H, the address goes back to 30H after 32H. When the address is in 60H to 62H, the address goes back to 60H after 62H.

Table 8.2. Register Map

Addr.	Register name	D7	D6	D5	D4	D3	D2	D1	D0
Read-only register									
00H	WIA1	0	1	0	0	1	0	0	0
01H	WIA2	0	0	0	0	0	1	0	1
02H	INFO1	INFO17	INFO16	INFO15	INFO14	INFO13	INFO12	INFO11	INFO10
03H	INFO2	INFO27	INFO26	INFO25	INFO24	INFO23	INFO22	INFO21	INFO20
10H	ST1	HSM	0	0	0	0	0	DOR	DRDY
11H	HXL	HX7	HX6	HX5	HX4	HX3	HX2	HX1	HX0
12H	HXH	HX15	HX14	HX13	HX12	HX11	HX10	HX9	HX8
13H	HYL	HY7	HY6	HY5	HY4	HY3	HY2	HY1	HY0
14H	HYH	HY15	HY14	HY13	HY12	HY11	HY10	HY9	HY8
15H	HZL	HZ7	HZ6	HZ5	HZ4	HZ3	HZ2	HZ1	HZ0
16H	HZH	HZ15	HZ14	HZ13	HZ12	HZ11	HZ10	HZ9	HZ8
17H	TMPS	0	0	0	0	0	0	0	0
18H	ST2	0	0	0	0	HOFL	0	0	0
Read/Wright register									
30H	CNTL1	0	0	0	0	0	0	0	0
31H	CNTL2	0	0	0	MODE4	MODE3	MODE2	MODE1	MODE0
32H	CNTL3	0	0	0	0	0	0	0	SRST
33H	TS1	-	-	-	-	-	-	-	-
Read-only register									
60H	ASAX	COEFX7	COEFX6	COEFX5	COEFX4	COEFX3	COEFX2	COEFX1	COEFX0
61H	ASAY	COEFY7	COEFY6	COEFY5	COEFY4	COEFY3	COEFY2	COEFY1	COEFY0
62H	ASAZ	COEFZ7	COEFZ6	COEFZ5	COEFZ4	COEFZ3	COEFZ2	COEFZ1	COEFZ0

When VDD is turned ON, POR function works and all registers of AK09911 are initialized regardless of VID status. To write data to or to read data from register, VID must be ON.

TS1 is test registers for shipment test. Do not use these registers.

### 8.3. Detailed of Description of Register

#### 8.3.1. WIA: Who I Am

Addr	Register name	D7	D6	D5	D4	D3	D2	D1	D0
Read-only register									
00H	WIA1	0	1	0	0	1	0	0	0
01H	WIA2	0	0	0	0	0	1	0	1

WIA1[7:0]: Company ID of AKM. It is described in one byte and fixed value.

48H: fixed

WIA2[7:0]: Device ID of AK09911. It is described in one byte and fixed value.

05H: fixed

#### 8.3.2. INFO: Information

Addr	Register name	D7	D6	D5	D4	D3	D2	D1	D0
Read-only register									
02H	INFO1	INFO17	INFO16	INFO15	INFO14	INFO13	INFO12	INFO11	INFO10
03H	INFO2	INFO27	INFO26	INFO25	INFO24	INFO23	INFO22	INFO21	INFO20

INFO1[7:0]/INFO2[7:0]: Device information of AKM.

#### 8.3.3. ST1: Status 1

Addr	Register name	D7	D6	D5	D4	D3	D2	D1	D0
Read-only register									
10H	ST1	HSM	0	0	0	0	0	DOR	DRDY
Reset		0	0	0	0	0	0	0	0

DRDY: Data Ready

“0”: Normal

“1”: Data is ready

DRDY bit turns to “1” when data is ready in Single measurement mode, Continuous measurement mode 1, 2, 3, 4 or Self-test mode. It returns to “0” when any one of ST2 register or measurement data register (HXL to TMPS) is read.

DOR: Data Overrun

“0”: Normal

“1”: Data overrun

DOR bit turns to “1” when data has been skipped in Continuous measurement mode 1, 2, 3, 4. It returns to “0” when any one of ST2 register or measurement data register (HXL to TMPS) is read.

HSM: I2C Hs-mode

“0”: Standard/Fast mode

“1”: Hs-mode

HSM bit turns to “1” when I<sup>2</sup>C bus interface is changed from Standard or Fast mode to High-speed mode (Hs-mode).

## 8.3.4. HXL to HZH: Measurement data

Addr	Register name	D7	D6	D5	D4	D3	D2	D1	D0
Read-only register									
11H	HXL	HX7	HX6	HX5	HX4	HX3	HX2	HX1	HX0
12H	HXH	HX15	HX14	HX13	HX12	HX11	HX10	HX9	HX8
13H	HYL	HY7	HY6	HY5	HY4	HY3	HY2	HY1	HY0
14H	HYH	HY15	HY14	HY13	HY12	HY11	HY10	HY9	HY8
15H	HZL	HZ7	HZ6	HZ5	HZ4	HZ3	HZ2	HZ1	HZ0
16H	HZH	HZ15	HZ14	HZ13	HZ12	HZ11	HZ10	HZ9	HZ8
Reset		0	0	0	0	0	0	0	0

Measurement data of magnetic sensor X-axis/Y-axis/Z-axis

HXL[7:0]: X-axis measurement data lower 8-bit

HXH[15:8]: X-axis measurement data higher 8-bit

HYL[7:0]: Y-axis measurement data lower 8-bit

HYH[15:8]: Y-axis measurement data higher 8-bit

HZL[7:0]: Z-axis measurement data lower 8-bit

HZH[15:8]: Z-axis measurement data higher 8-bit

Measurement data is stored in two's complement and Little Endian format. Measurement range of each axis is -8190 to 8190.

Table 8.3. Measurement magnetic data format

Measurement data (each axis) [15:0]			Magnetic flux density [ $\mu$ T]
Two's complement	Hex	Decimal	
0001 1111 1111 1110	1FFE	8190	4912(max.)
0000 0000 0000 0001	0001	1	0.6
0000 0000 0000 0000	0000	0	0
1111 1111 1111 1111	FFFF	-1	-0.6
1110 0000 0000 0010	E002	-8190	-4912(min.)

## 8.3.5. TMPS: Dummy Register

Addr	Register name	D7	D6	D5	D4	D3	D2	D1	D0
Read-only register									
17H	TMPS	0	0	0	0	0	0	0	0
Reset		0	0	0	0	0	0	0	0

Dummy register.

### 8.3.6. ST2: Status 2

Addr	Register name	D7	D6	D5	D4	D3	D2	D1	D0
Read-only register									
18H	ST2	0	0	0	0	HOFL	0	0	0
Reset		0	0	0	0	0	0	0	0

HOFL: Magnetic sensor overflow

“0”: Normal

“1”: Magnetic sensor overflow occurred

In Single measurement mode, Continuous measurement mode 1, 2, 3, 4, and Self-test mode, magnetic sensor may overflow even though measurement data register is not saturated. In this case, measurement data is not correct and HOFL bit turns to “1”. When next measurement starts, it returns to “0”. Refer to 6.4.3.6 for detailed information.

ST2 register has a role as data reading end register, also. When any of measurement data register (HXL to TMPS) is read in Continuous measurement mode 1, 2, 3, 4, it means data reading start and taken as data reading until ST2 register is read. Therefore, when any of measurement data is read, be sure to read ST2 register at the end.

### 8.3.7. CNTL1: Dummy Register

Addr	Register name	D7	D6	D5	D4	D3	D2	D1	D0
Read/Write register									
30H	CNTL1	0	0	0	0	0	0	0	0
Reset		0	0	0	0	0	0	0	0

Dummy register.

### 8.3.8. CNTL2: Control 2

Addr	Register name	D7	D6	D5	D4	D3	D2	D1	D0
Read/Write register									
31H	CNTL2	0	0	0	MODE4	MODE3	MODE2	MODE1	MODE0
Reset		0	0	0	0	0	0	0	0

MODE[4:0]: Operation mode setting

“00000”: Power-down mode

“00001”: Single measurement mode

“00010”: Continuous measurement mode 1

“00100”: Continuous measurement mode 2

“00110”: Continuous measurement mode 3

“01000”: Continuous measurement mode 4

“10000”: Self-test mode

“11111”: Fuse ROM access mode

Other code settings are prohibited

When each mode is set, AK09911 transits to the set mode. Refer to 6.3 for detailed information.

## 8.3.9. CNTL3: Control 3

Addr	Register name	D7	D6	D5	D4	D3	D2	D1	D0
Read/Write register									
32H	CNTL3	0	0	0	0	0	0	0	SRST
Reset		0	0	0	0	0	0	0	0

SRST: Soft reset

“0”: Normal

“1”: Reset

When “1” is set, all registers are initialized. After reset, SRST bit turns to “0” automatically.

## 8.3.10. TS1: Test

Addr	Register name	D7	D6	D5	D4	D3	D2	D1	D0
Read/Write register									
33H	TS1	-	-	-	-	-	-	-	-
Reset		0	0	0	0	0	0	0	0

TS1 register is AKM internal test register. Do not use this register.

## 8.3.11. ASAX, ASAY, ASAZ: Sensitivity Adjustment Values

Addr	Register name	D7	D6	D5	D4	D3	D2	D1	D0
Read-only register									
60H	ASAX	COEFX7	COEFX6	COEFX5	COEFX4	COEFX3	COEFX2	COEFX1	COEFX0
61H	ASAY	COEFY7	COEFY6	COEFY5	COEFY4	COEFY3	COEFY2	COEFY1	COEFY0
62H	ASAZ	COEFZ7	COEFZ6	COEFZ5	COEFZ4	COEFZ3	COEFZ2	COEFZ1	COEFZ0
Reset		-	-	-	-	-	-	-	-

Sensitivity adjustment data for each axis is stored to fuse ROM on shipment.

ASAX[7:0]:Magnetic sensor X-axis sensitivity adjustment value

ASAY[7:0]:Magnetic sensor Y-axis sensitivity adjustment value

ASAZ[7:0]:Magnetic sensor Z-axis sensitivity adjustment value

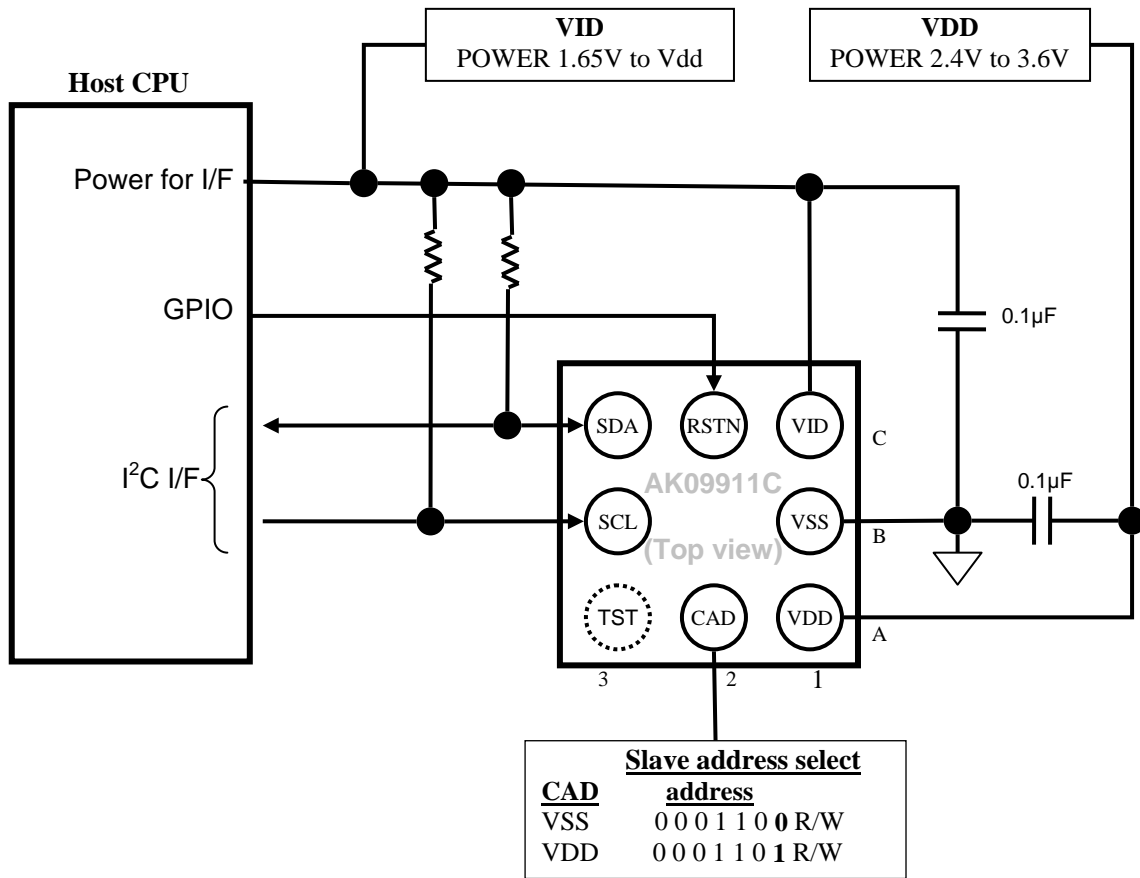
How to adjust sensitivity

The sensitivity adjustment is done by the equation below,

$$H_{adj} = H \times \left( \frac{ASA}{128} + 1 \right)$$

where  $H$  is the measurement data read out from the measurement data register,  $ASA$  is the sensitivity adjustment value, and  $H_{adj}$  is the adjusted measurement data.

**9. Example of Recommended External Connection**

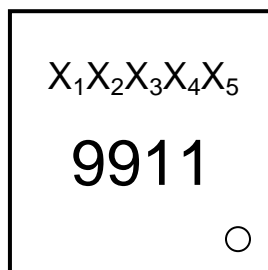


Pins of dot circle should be kept non-connected.

## 10. Package

### 10.1. Marking

- Date code:  $X_1X_2X_3X_4X_5$ 
  - $X_1$  = ID
  - $X_2$  = Year code
  - $X_3X_4$  = Week code
  - $X_5$  = Lot
- Product name: 9911



<Top view>

### 10.2. Pin Assignment

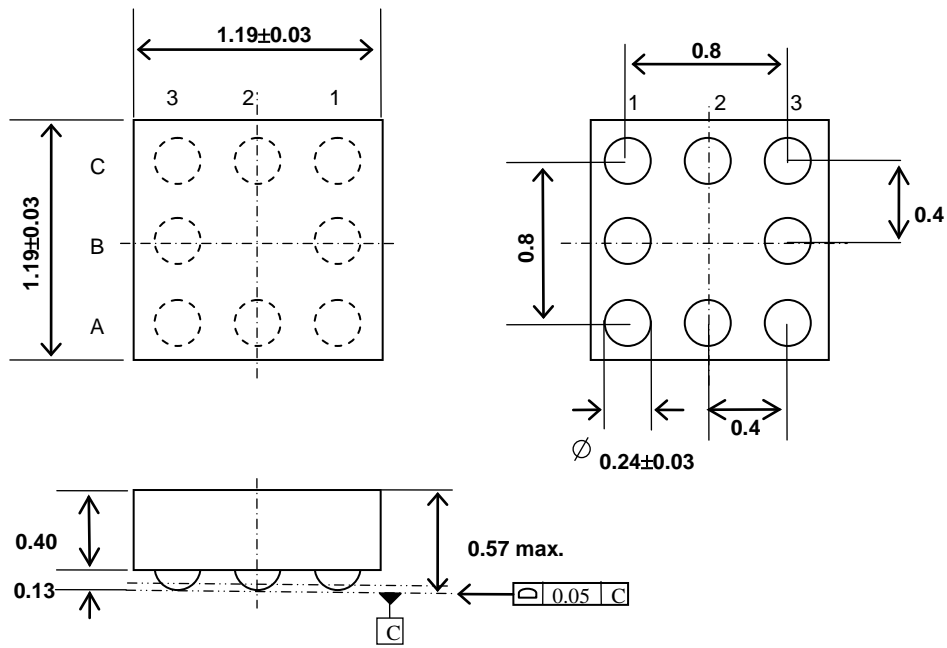
	3	2	1
C	SDA	RSTN	VID
B	SCL	/	VSS
A	TST	CAD	VDD

<Top view>



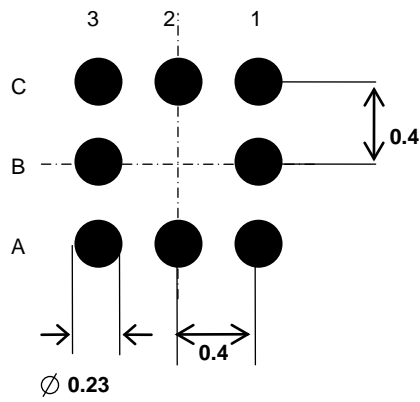
10.3. Outline Dimensions

[mm]



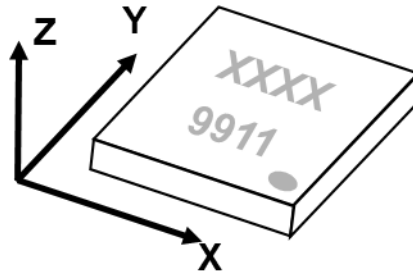
10.4. Recommended Foot Print Pattern

[mm]



## 11. Relationship between the Magnetic Field and Output Code

The measurement data increases as the magnetic flux density increases in the arrow directions.



**Important Notice**

0. Asahi Kasei Microdevices Corporation (“AKM”) reserves the right to make changes to the information contained in this document without notice. When you consider any use or application of AKM product stipulated in this document (“Product”), please make inquiries the sales office of AKM or authorized distributors as to current status of the Products.
1. All information included in this document are provided only to illustrate the operation and application examples of AKM Products. AKM neither makes warranties or representations with respect to the accuracy or completeness of the information contained in this document nor grants any license to any intellectual property rights or any other rights of AKM or any third party with respect to the information in this document. You are fully responsible for use of such information contained in this document in your product design or applications. **AKM ASSUMES NO LIABILITY FOR ANY LOSSES INCURRED BY YOU OR THIRD PARTIES ARISING FROM THE USE OF SUCH INFORMATION IN YOUR PRODUCT DESIGN OR APPLICATIONS.**
2. The Product is neither intended nor warranted for use in equipment or systems that require extraordinarily high levels of quality and/or reliability and/or a malfunction or failure of which may cause loss of human life, bodily injury, serious property damage or serious public impact, including but not limited to, equipment used in nuclear facilities, equipment used in the aerospace industry, medical equipment, equipment used for automobiles, trains, ships and other transportation, traffic signaling equipment, equipment used to control combustions or explosions, safety devices, elevators and escalators, devices related to electric power, and equipment used in finance-related fields. Do not use Product for the above use unless specifically agreed by AKM in writing.
3. Though AKM works continually to improve the Product’s quality and reliability, you are responsible for complying with safety standards and for providing adequate designs and safeguards for your hardware, software and systems which minimize risk and avoid situations in which a malfunction or failure of the Product could cause loss of human life, bodily injury or damage to property, including data loss or corruption.
4. Do not use or otherwise make available the Product or related technology or any information contained in this document for any military purposes, including without limitation, for the design, development, use, stockpiling or manufacturing of nuclear, chemical, or biological weapons or missile technology products (mass destruction weapons). When exporting the Products or related technology or any information contained in this document, you should comply with the applicable export control laws and regulations and follow the procedures required by such laws and regulations. The Products and related technology may not be used for or incorporated into any products or systems whose manufacture, use, or sale is prohibited under any applicable domestic or foreign laws or regulations.
5. Please contact AKM sales representative for details as to environmental matters such as the RoHS compatibility of the Product. Please use the Product in compliance with all applicable laws and regulations that regulate the inclusion or use of controlled substances, including without limitation, the EU RoHS Directive. AKM assumes no liability for damages or losses occurring as a result of noncompliance with applicable laws and regulations.
6. Resale of the Product with provisions different from the statement and/or technical features set forth in this document shall immediately void any warranty granted by AKM for the Product and shall not create or extend in any manner whatsoever, any liability of AKM.
7. This document may not be reproduced or duplicated, in any form, in whole or in part, without prior written consent of AKM.