

1. Scope

The present specifications shall apply to an AK09.

2. Outline

| | |
|--------------|--------------------------------|
| Type | Silicon Schottky Barrier Diode |
| Structure | Resin Molded |
| Applications | High Frequency Rectification |

3. Flammability

UL94V-0(Equivalent)

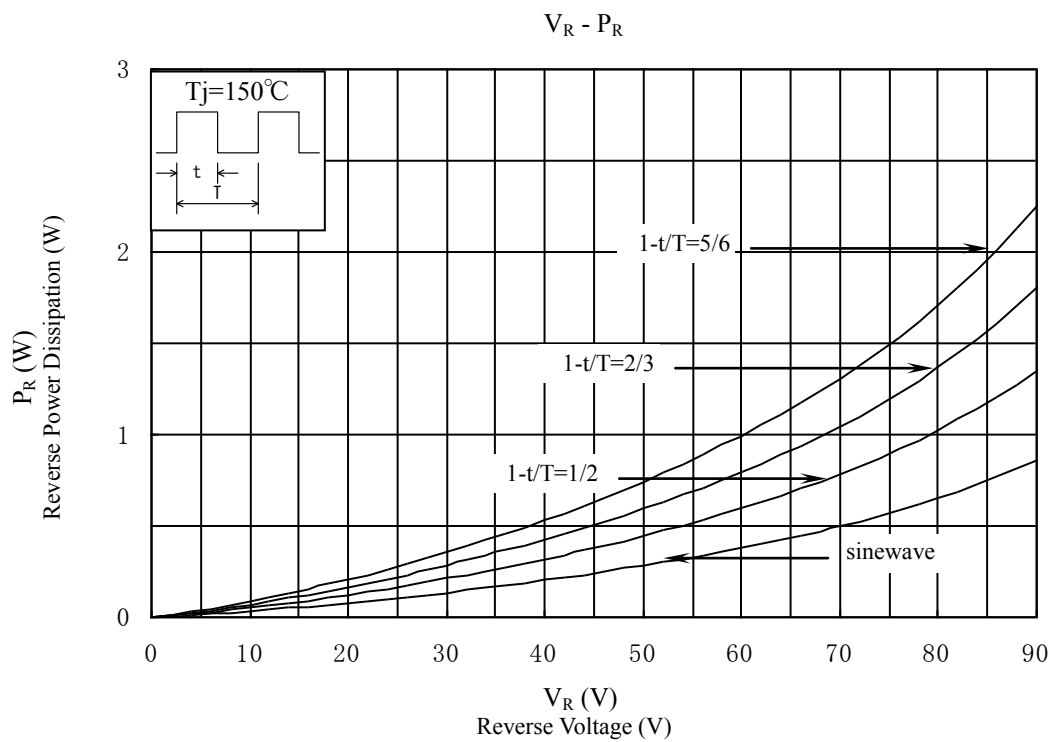
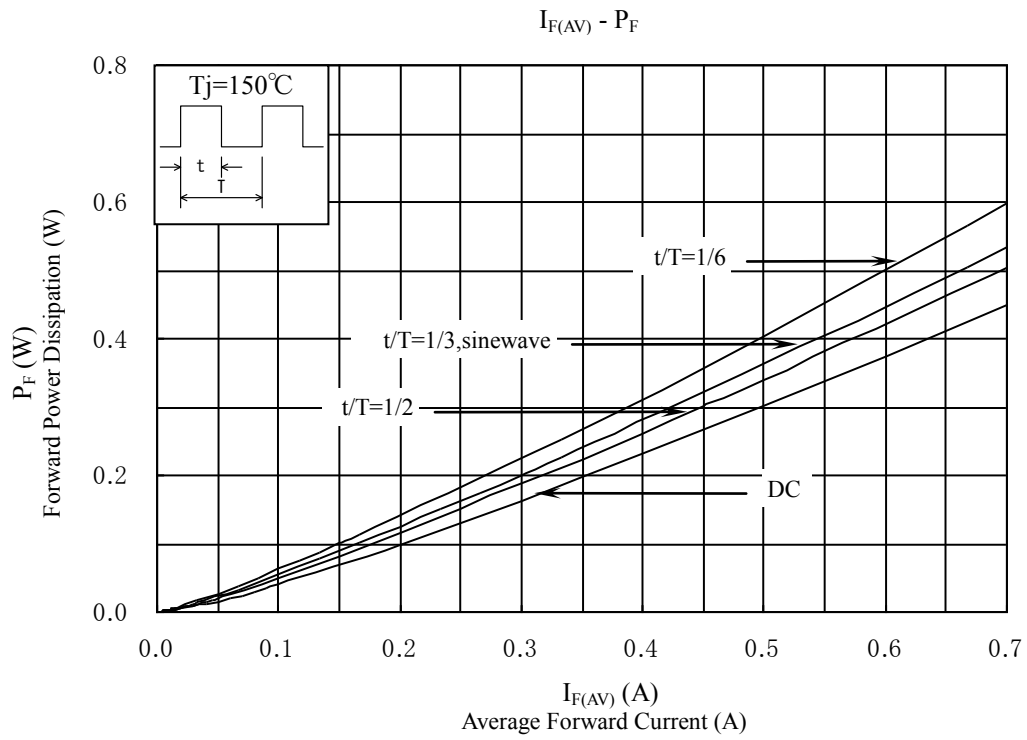
4. Absolute maximum ratings

| No. | Item | Symbol | Unit | Rating | Conditions |
|-----|--------------------------------|-------------|------|----------|------------------------------------|
| 1 | Transient Peak Reverse Voltage | V_{RSM} | V | 90 | |
| 2 | Peak Reverse Voltage | V_{RM} | V | 90 | |
| 3 | Average Forward Current | $I_{F(AV)}$ | A | 0.7 | Refer to Derating of 7 |
| 4 | Peak Surge Forward Current | I_{FSM} | A | 10 | 10msec. Half sinewave, one shot |
| 5 | Junction Temperature | T_j | °C | -40~+150 | |
| 6 | Storage Temperature | T_{stg} | °C | -40~+150 | |

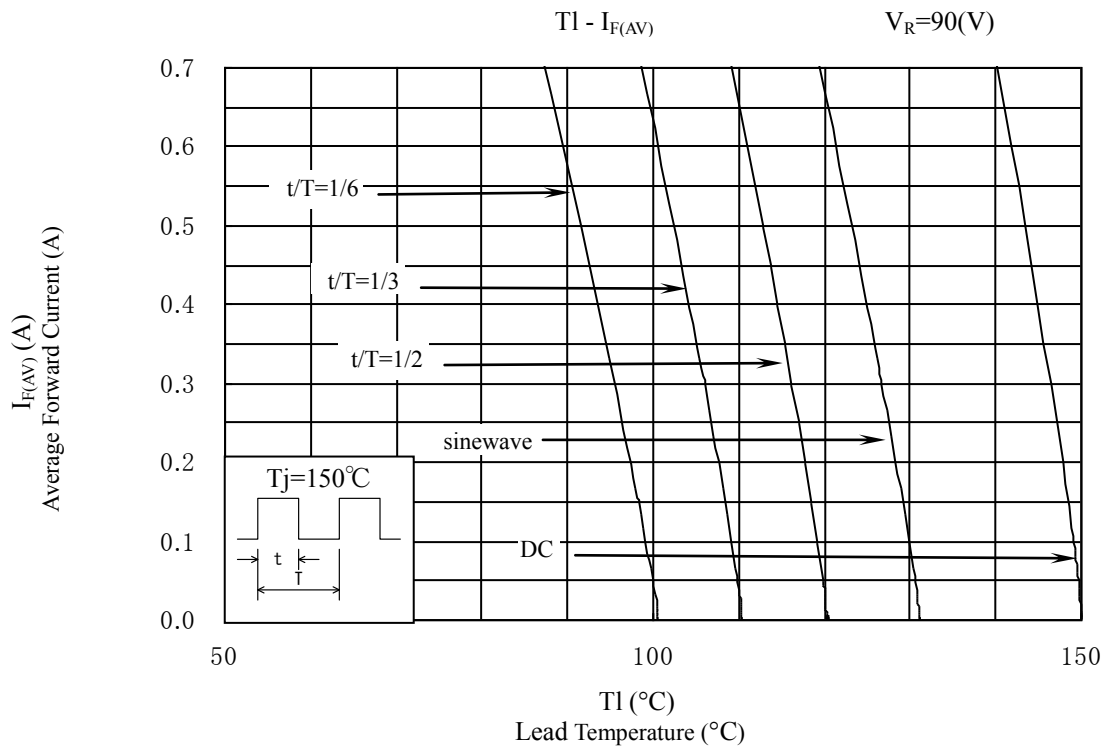
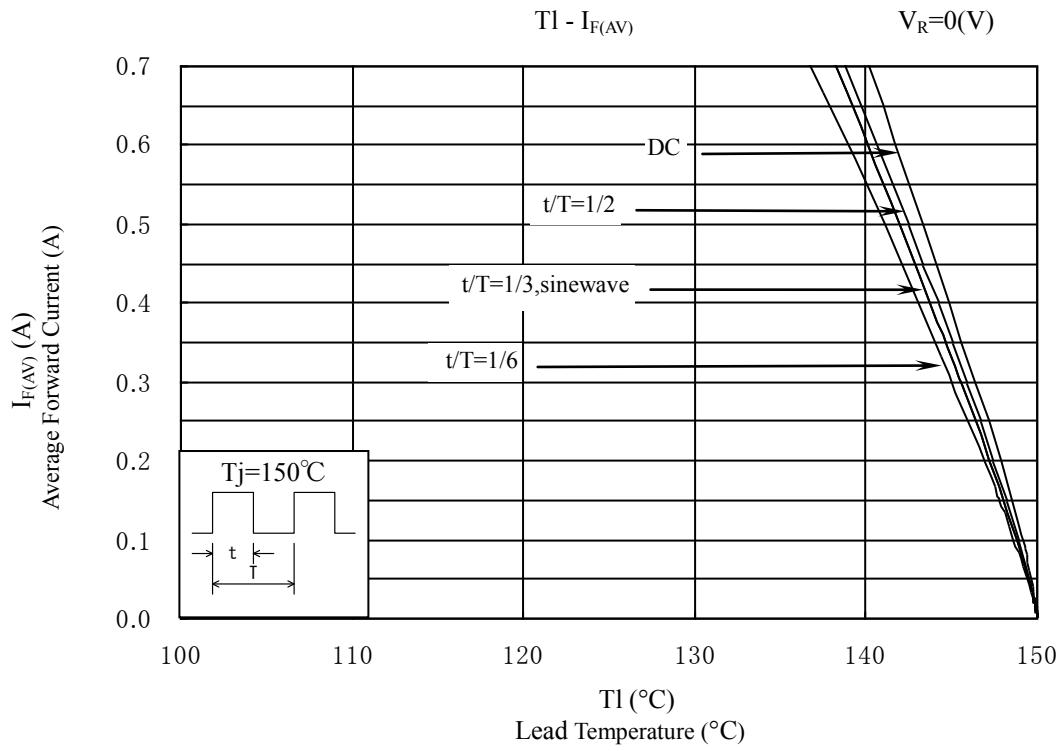
5. Electrical characteristics (Ta=25°C , unless otherwise specified)

| No. | Item | Symbol | Unit | Value | Conditions |
|-----|--|---------------|-------|-----------|-------------------------------|
| 1 | Forward Voltage Drop | V_F | V | 0.81 max. | $I_F=0.7A$ |
| 2 | Reverse Leakage Current | I_R | mA | 1.0 max. | $V_R=V_{RM}$ |
| 3 | Reverse Leakage Current Under High Temperature | $H \cdot I_R$ | mA | 30 max. | $V_R=V_{RM}, T_j=150^\circ C$ |
| 4 | Thermal Resistance | $R_{th(j-l)}$ | °C /W | 22 max. | Between Junction and Lead |

6. Characteristics

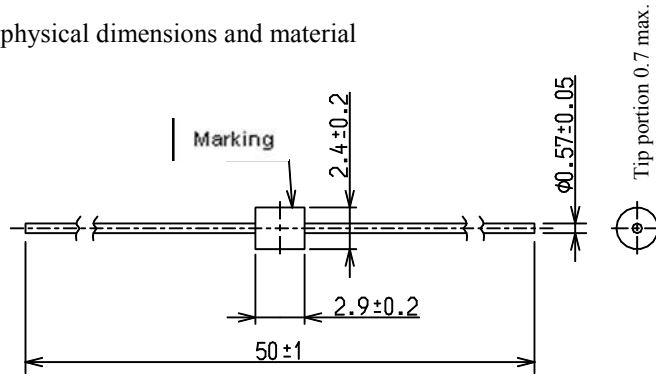


7. Derating



8. Package information

8-1 Package type, physical dimensions and material



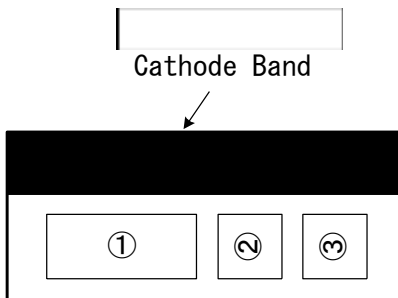
- *1 The allowance position of Body against the center of whole lead wire is 0.5mm(max.)
- *2 The centric allowance of lead wire against center of physical body is 0.3mm(max.)
- *3 The burr may exit up to 2mm from the body of lead

Dimensions in mm

8-2 Appearance

The body shall be clean and shall not bear any stain, rust or flaw.

8-3 Marking



- ① Type number AK09 is abbreviated as K9
- ② Lot number 1
Last digit of Year
- ③ Lot number 2
Month
From 1 to 9 for Jan. to Sep.
O for Oct., N for Nov., and D for Dec