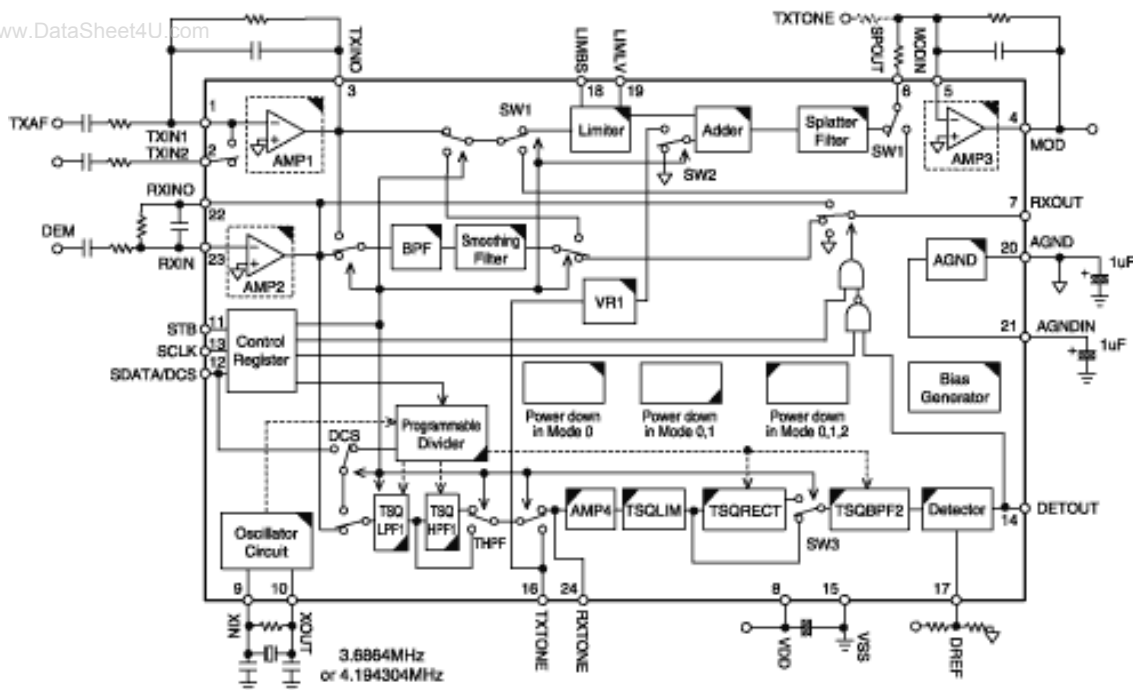


## CTCSS Encoder/Decoder with Voice Signal Circuit



24-pin VSOP (5.6 × 7.8 × 1.2 mm)

1. Continuous Tone Controlled Squelch System (CTCSS) Encoder/Decoder
2. Can be programmed with up to 50 frequencies
3. Built-in high speed tone decoder (Typ. : 150ms@67Hz)
4. Integrated voice signal circuits such as limiter, splatter filter, etc.
5. Built-in tone signal elimination filter
6. Built-in (3.6864 MHz or 4.194304 MHz) oscillator circuit with crystal oscillator
7. Low voltage operation: 1.8 V to 5.5 V
8. 24-pin VSOP package



AK2345 BLOCK DIAGRAM