



AK7707

Multi Core DSP with SRC

1. General Description

The AK7707 is a highly integrated digital signal processor, including 6 stereo sampling rate convertors supporting sampling frequency up to 192kHz, a DIR, a DIT and two types of DSPs for Audio and Voice processing. The DSP1 supports a 295MHz core and is optimized for C-language support. DSP2 and DSP3 have 4608 step/fs (when fs=48kHz) processing power. The AK7707 is able to process multiple sample rates simultaneously. This function is ideal for full bandwidth audio and voice processing, such as hands-free function along with audio. This simultaneous processing is enabled because the two types of DSPs can work on different but synchronized sampling frequencies. The AK7707 is a RAM based DSP, so it can be freely programmed for user requirements, such as acoustic effects and proprietary high performance hands-free function. The AK7707 is available in a space saving 64-pin HTQFP package.

2. Features

- DSP1(Tensilica Hifi2):
 - Word Length: 64-bit
 - Operation Clock: 294.912MHz (DSP1 Fast Mode)
 - IRAM: 128KB
 - DRAM: 384KB
 - GPIO: 8 ports
 - SPI Control Master Port x 1
 - JTAG for On-chip Debugging
 - Independent Power Management
- DSP2, 3(AKM DSP)
 - Word Length: 28-bit (Data RAM: Simple floating point)
 - Operation Clock: 221.184MHz (4608steps, fs= 48kHz, DSP2/3 Fast Mode)
 - Multiplier: 24 x 24 → 48-bit (Double precision arithmetic available)
 - Divider: 24 / 24 → 24-bit (Floating point normalization function)
 - ALU: 52-bit Arithmetic Operation (with overflow margin 4-bit)
 - Program RAM (PRAM): 10kword x 36-bit (DSP2+DSP3 Total)
 - Coefficient RAM (CRAM): 10kword x 24-bit (DSP2+DSP3 Total)
 - Data RAM (DRAM): 10kword x 28-bit (DSP2+DSP3 Total)
 - Delay RAM(DLRAM): 24kword x 28-bit (DSP2+DSP3 Total)
 - JX pins (Interrupt)
 - Independent Power Management Function
- SRC
 - 2ch x 6
 - FSI = 8kHz ~ 192kHz, FSO= 8kHz ~ 192kHz (FSO/FSI= 0.167 ~ 6.0)

- DIR
 - S/PDIF, IEC60958, AES/EBU, EIAJ CP1201
 - Amplifier: 2 Inputs Selector
 - De-emphasis Filter (32, 44.1, 48, 96kHz, ON/OFF function)
 - Non-PCM Data Stream Detection Function
 - DTS-CD Data Stream Detection Function
 - Sampling Frequency Detection Function (32kHz, 44.1kHz, 48kHz, 88.2kHz 96kHz)
 - Unlock & Parity Error Detection Function
 - Validity Detection Register Read back Function
 - 42-bit Channel Status Buffer
 - Q-sub code Buffer for CD bit stream
- DIT
 - S/PDIF, IEC60958, AES/EBU, EIAJ CP1201 Compatible
 - 24-bit Stereo Output
- Digital Interfaces
 - Digital Input 8-Port (Max. 64ch, TDM mode)
 - Digital Output 8-Port (Max. 64ch, TDM mode)
 - Independent LRCK/BICK In/Output Port x 5 Lines
 - Data Format: MSB 32, 24-bit/ LSB24, 20, 16-bit/ I²S
 - Shot/ Long Frame
 - TDM In/Output Mode
 - Digital Microphone Input Ports (2ch x 2 Lines)
- Digital Mixer Circuit
- PLL Circuit
- μ P Interface: SPI (7MHz Max.) / I²C (1MHz Fast Mode plus)
- Power Supply:
 - Digital: VDD12: 1.14V ~ 1.3V (Typ. 1.2V)
 - I/F: VDD33: 3.13V ~ 3.47V (Typ. 3.3V)
 - TVDD1: 1.7V ~ 3.47V (Typ. 3.3V)
 - TVDD2: 1.7V ~ 3.47V (Typ. 3.3V)
 - AVDD: 3.13V ~ 3.47V (Typ. 3.3V)
- Operation Temperature Range: Ta= -40 ~ 85°C
- Package: 64-pin HTQFP (10mm x 10mm, 0.5mm pitch)

3. Table of Contents

1.	General Description	1
2.	Features	1
3.	Table of Contents	3
4.	Block Diagram and Functions	4
	■ Device Block Diagram	4
	■ DSP1 Block Diagram	5
	■ DSP2 Block Diagram	6
	■ DSP3 Block Diagram	7
5.	Pin Configurations and Functions	8
	■ Pin Layout	8
	■ Pin Functions	9
	■ Handling the Unused Pins	12
	■ Relationship between Digital Power Supply and Input/Output Pins	12
	■ Power-down Pin Status	13
6.	Absolute Maximum Ratings	14
7.	Recommended Operating Conditions	15
8.	Electrical Characteristics	16
	■ SRC	16
	■ SPDIF Characteristics	17
	■ Digital Microphone Interface	17
	■ Current Consumption	17
9.	Digital Filter Characteristics	18
	■ SRC Block	18
10.	DC Characteristics	20
	■ DC Characteristics	20
11.	Switching Characteristics	21
	■ System Clock	21
	■ Power Down	21
	■ Serial Data Interface (SDIN1~SDIN8, SDOUT1~SDOUT8)	22
	■ SPI Interface	25
	■ I ² C Interface	27
	■ Master SPI Interface	28
	■ JTAG Interface	28
12.	Recommended External Circuits	29
	■ Connection Diagram	29
	■ Peripheral Circuit	30
13.	Package	31
	■ Outline Dimensions	31
	■ Material and Lead Finish	31
	■ Marking	32
14.	Ordering Guide	32
	■ Ordering Guide	32
	IMPORTANT NOTICE	33

4. Block Diagram and Functions

■ Device Block Diagram

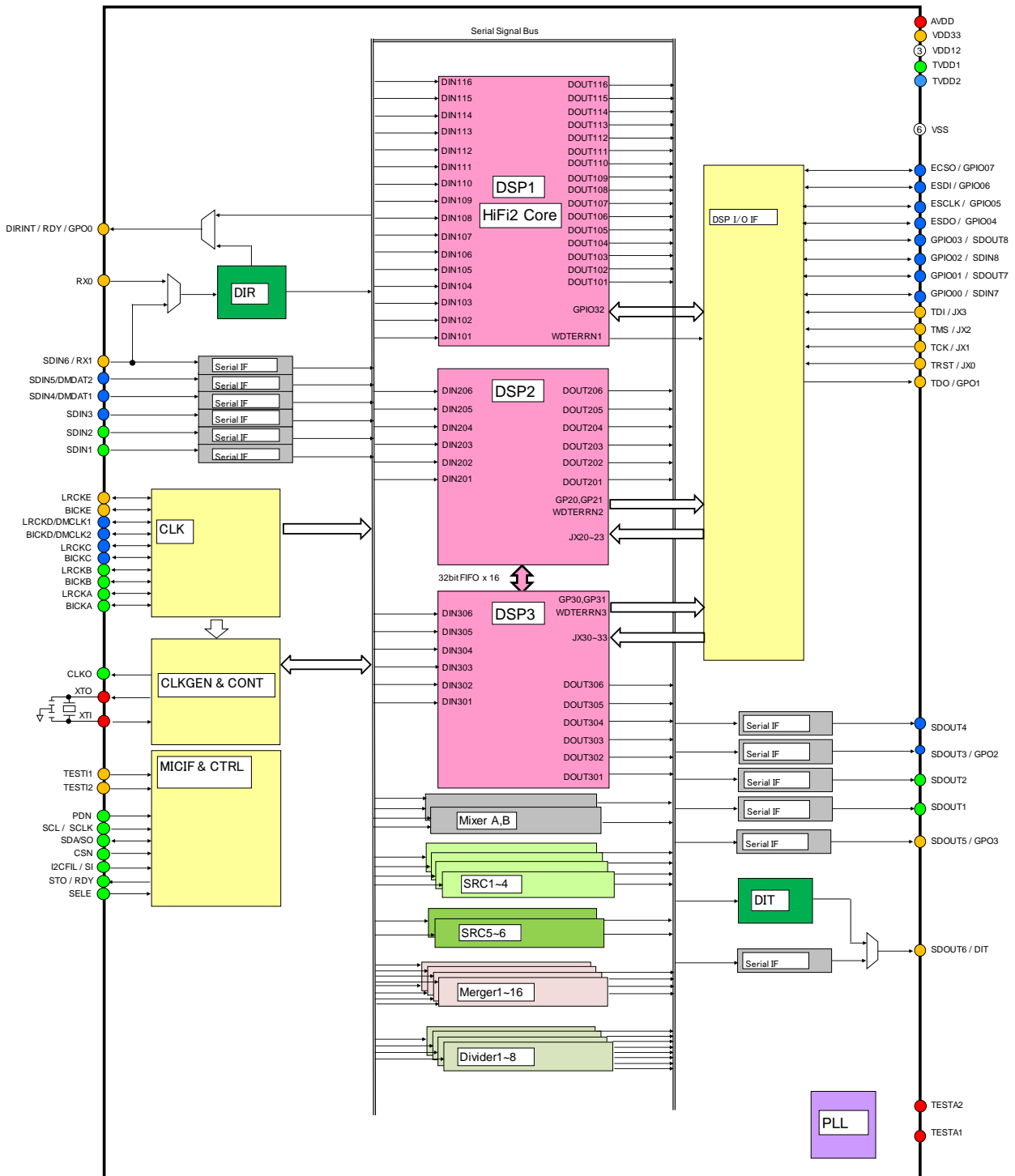


Figure 1. AK7707 Device Block Diagram

■ DSP1 Block Diagram

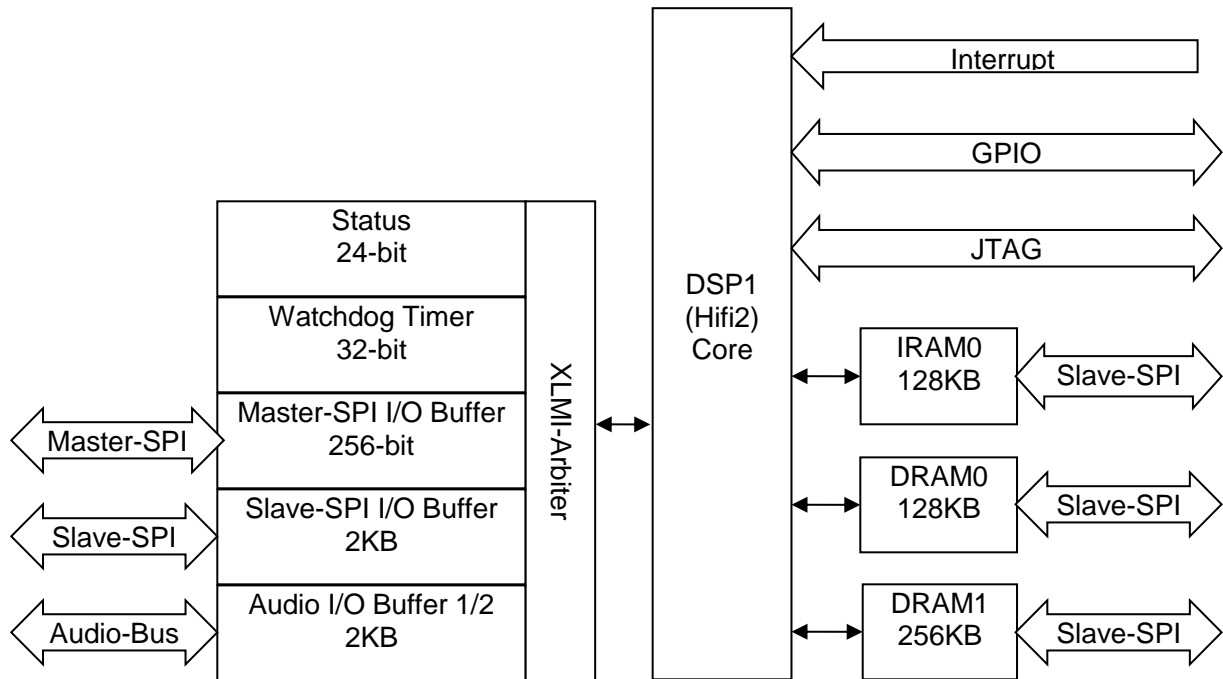


Figure 2. DSP1 Block Diagram

■ DSP2 Block Diagram

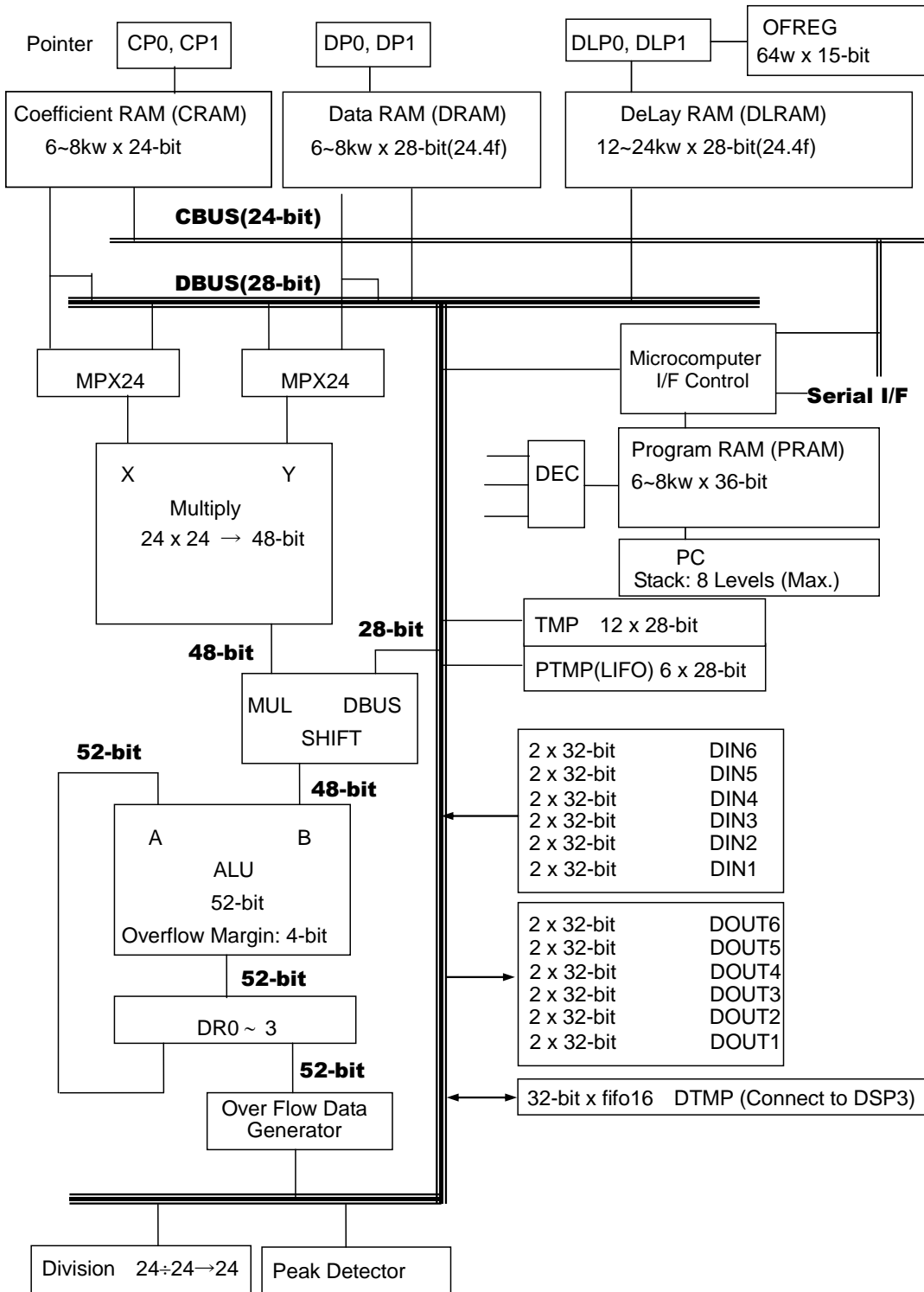


Figure 3. DSP2 Block Diagram

■ DSP3 Block Diagram

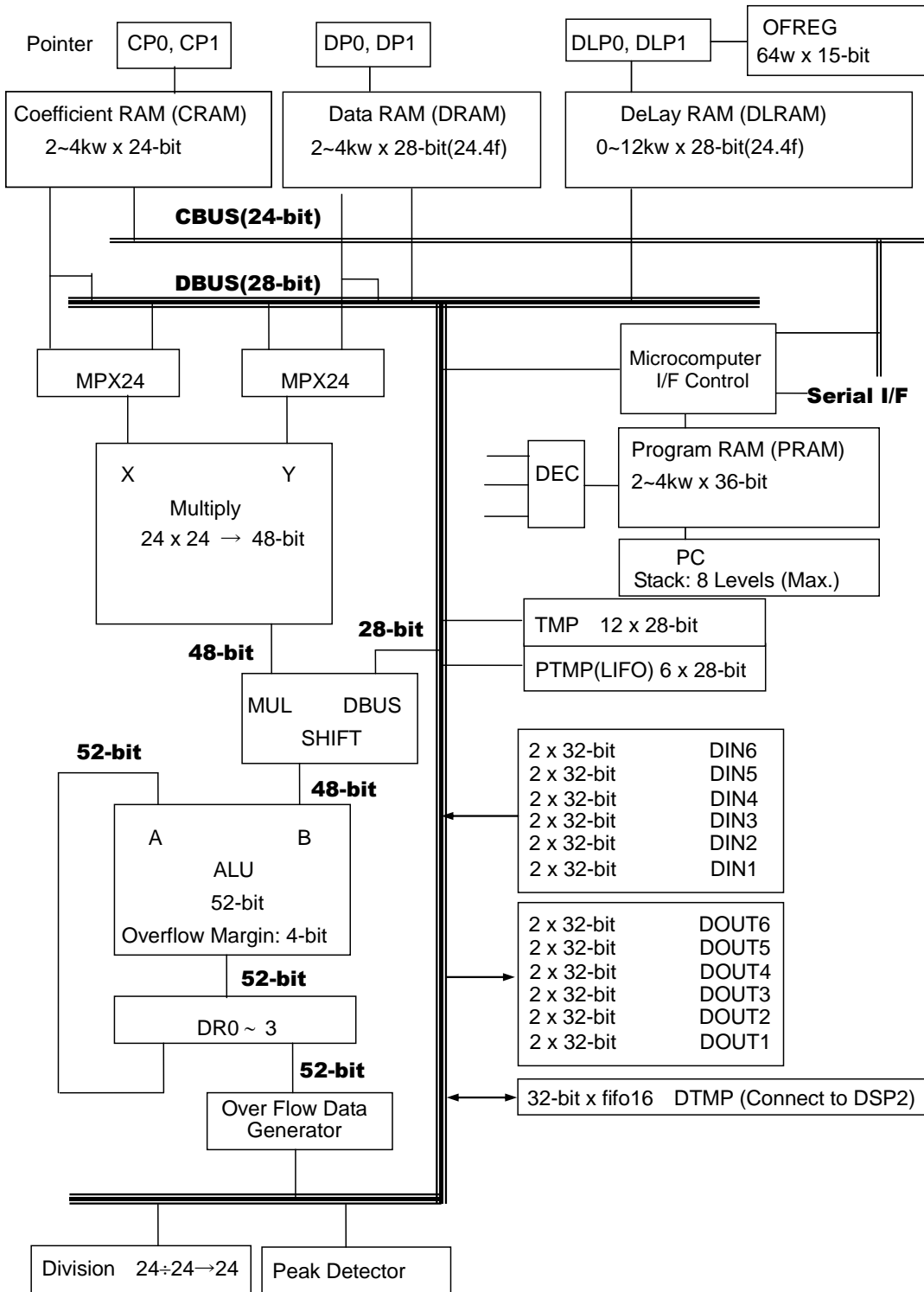
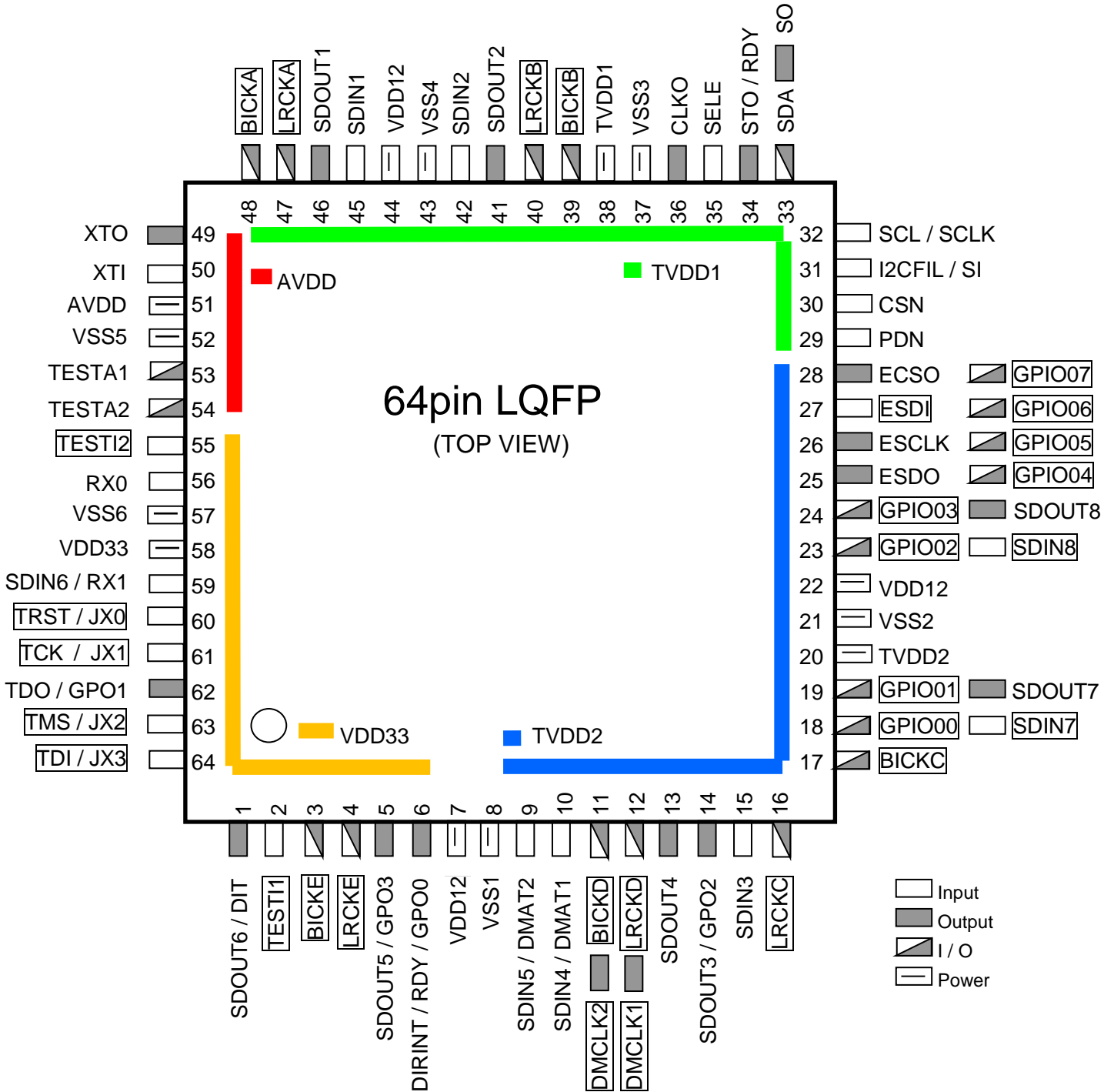


Figure 4. DSP3 Block Diagram

5. Pin Configurations and Functions

■ Pin Layout



*** Framed pin names indicate that they are pull-down pins

Preceded pin names are default pins.
 (Default Example: 1-pin SDOUT6, 32-pin SCL, 33-pin SDA and 64-pin TDI)

■ Pin Functions

No.	Pin Name	I/O	Function	Supply
1	SDOUT6	O	Serial Data Output 6	VDD33
	DIT	O	DIT Output	
2	TESTI1	I	Test Input (Pulled-down) Connect this pin to "L"	VDD33
3	BICKE	I/O	Serial Bit Clock E (Input Pulled-down)	VDD33
4	LRCKE	I/O	LR Channel Select Clock E (Input Pulled-down)	VDD33
5	SDOUT5	O	Serial Data Output 5	VDD33
	GPO3	O	General Output 3 (DSP3-GP1)	
6	DIRINT	O	DIR Interrupt Output	VDD33
	RDY	O	RDY Pin	
	GPO0	O	General Output 0 (DSP2-GP0)	
7	VDD12	-	Digital Power Supply Typ. 1.2V (1.14V ~ 1.3V)	-
8	VSS1	-	Ground 1 0V	-
9	SDIN5	I	Serial Data Input 5	TVDD2
	DMDAT2	I	DATA2 Pin for Digital Microphone	
10	SDIN4	I	Serial Data Input 4	TVDD2
	DMDAT1	I	DATA1 Pin for Digital Microphone	
11	BICKD	I/O	Serial Bit Clock D (Input Pulled-down)	TVDD2
	DMCLK2	O	Clock Output 2 for Digital Microphone	
12	LRCKD	I/O	LR Channel Select Clock D (Input Pulled-down)	TVDD2
	DMCLK1	O	Clock Output 1 for Digital Microphone	
13	SDOUT4	O	Serial Data Output 4	TVDD2
14	SDOUT3	O	Serial Data Output 3	TVDD2
	GPO2	O	General Output 2 (DSP3-GP0)	
15	SDIN3	I	Serial Data Input 3	TVDD2
16	LRCKC	I/O	LR Channel Select Clock C (Input Pulled-down)	TVDD2
17	BICKC	I/O	Serial Bit Clock C (Input Pulled-down)	TVDD2
18	GPIO00	I/O	DSP1 GPIO Pin Controlled by DSP1 program. (Input Pulled-down)	TVDD2
	SDIN7	I	Serial Data Input 7	
19	GPIO01	I/O	DSP1 GPIO Pin Controlled by DSP1 program. (Input Pulled-down)	TVDD2
	SDOUT7	O	Serial Data Output 7	
20	TVDD2	-	Digital Power Supply 2 Typ. 3.3V (1.7V ~ 3.47V)	-
21	VSS2	-	Ground 2 0V	-
22	VDD12	-	Digital Power Supply 12 Pin Typ. 1.2V (1.14V ~ 1.3V)	-
23	GPIO02	I/O	DSP1 GPIO2 Pin Controlled by DSP1 program. (Input Pulled-down)	TVDD2
	SDIN8	I	Serial Data Input 8 (Pulled-down)	
24	GPIO03	I/O	DSP1 GPIO Pin Controlled by DSP1 program. (Input Pulled-down)	TVDD2
	SDOUT8	O	Serial Data Output 8	
25	ESDO	O	SPI Control Data Output for External Devices (Connect to the SI pin of External Device) (Pulled-down)	TVDD2
	GPIO04	I/O	DSP1 GPIO4 Pin Controlled by DSP1 program. (Pulled-down)	

No.	Pin Name	I/O	Function	Supply
26	ESCLK	O	SPI Control Data Output for External Devices (Connect to the SCLK pin of External Device)	TVDD2
	GPIO05	I/O	DSP1 GPIO5 Pin Controlled by DSP1 program. (Input Pulled-down)	
27	ESDI	I	SPI Control Data Input for External Devices (Connect to the SO pin of External Device) (Pulled-down)	TVDD2
	GPIO06	I/O	DSP1 GPIO6 Pin Controlled by DSP1 program. (Input Pulled-down)	
28	ECSO	O	SPI Control Data Output for External Devices (Connect to the CS pin of External Device)	TVDD2
	GPIO07	I/O	DSP1 GPIO7 Pin Controlled by DSP1 program. (Input Pulled-down)	
29	PDN	I	Power Down N Pin • Use this pin to power down the AK7707. • Set this pin to "L" when power up the AK7707.	TVDD1
30	CSN	I	I ² C Mode: Bus Address Pin for I ² C Interface • This pin must be pulled up or pulled down. • Inverted polarity is used as bus address.	TVDD1
		I	SPI Mode: Chip Select N Pin for SPI Interface • Put this pin to "H" in power-down state or when not interfacing to a microcontroller.	
31	I2CFIL	I	I ² C Interface Mode Select Input • I2CFIL = "L" Fixed: Fast Mode (400kHz) • I2CFIL = "H" Fixed: Fast Mode Plus (1MHz) (fixed to TVDD1)	TVDD1
	SI	I	Serial Data Input for SPI Interface	
32	SCL	I	Serial Data Clock Input for I ² C Interface	TVDD1
	SCLK	I	Serial Data Clock Input for SPI Interface	
33	SDA	I/O	SDA Pin for I ² C Interface	TVDD1
	SO	O	Serial Data Output for SPI Interface	
34	STO	O	Status Output	TVDD1
	RDY	O	RDY Pin	
35	SELE	I	Self-Boot Enable	TVDD1
36	CLKO	O	Clock Output	TVDD1
37	VSS3	-	Ground 3 Pin 0V	-
38	TVDD1	-	Digital IO Power Supply 1 Typ. 3.3V (1.7V ~ 3.47V)	-
39	BICKB	I/O	Serial Bit Clock B (Input Pulled-down)	TVDD1
40	LRCKB	I/O	LR Channel Select Clock B (Input Pulled-down)	TVDD1
41	SDOUT2	O	Serial Data Output 2	TVDD1
42	SDIN2	I	Serial Data Input 2	TVDD1
43	VSS4	-	Ground 4 0V	-
44	VDD12	-	Digital Power Supply 12 Typ. 1.2V (1.14V ~ 1.3V)	-
45	SDIN1	I	Serial Data Input 1	TVDD1
46	SDOUT1	O	Serial Data Output 1	TVDD1
47	LRCKA	I/O	LR Channel Select Clock A (Input Pulled-down)	TVDD1
48	BICKA	I/O	Serial Bit Clock A (Input Pulled-down)	TVDD1

No.	Pin Name	I/O	Function	Supply
49	XTO	O	Oscillation Circuit Output <ul style="list-style-type: none"> When using crystal oscillator, the XTI and the XTO pins should be connected to a crystal oscillator. When not using crystal oscillator, this pin should be open. 	AVDD
50	XTI	I	Oscillation Circuit Input <ul style="list-style-type: none"> When using crystal oscillator, the XTI and the XTO pins should be connected to a crystal oscillator. When not using crystal oscillator, this pin should be connected to external clock or VSS5. 	AVDD
51	AVDD	-	Analog Power Supply Typ. 3.3V (3.13V ~ 3.47V)	-
52	VSS5	-	Ground 5 0V	-
53	TESTA1	I/O	Test In/Output (This pin must be open)	AVDD
54	TESTA2	I/O	Test In/Output (This pin must be open)	AVDD
55	TESTI2	I	Test Input 2 (Pulled-down) Connect this pin to VSS6.	VDD33
56	RX0	I	DIR Data Input 0	VDD33
57	VSS6	-	Ground 6 0V	-
58	VDD33	-	Digital Power Supply 33 Typ. 3.3V (3.13V ~ 3.47V)	-
59	SDIN6	I	Serial Data Input 6	VDD33
	RX1	I	DIR Data Input 1	
60	TRST	I	JTAG Input	VDD33
	JX0	I	JX Input 0 (DSP2/3-JX0)	
61	TCK	I	JTAG Input	VDD33
	JX1	I	JX Input 1 (DSP2/3-JX1)	
62	TDO	O	JTAG Out	VDD33
	GPO1	O	General Output 1 (DSP2-GP1)	
63	TMS	I	JTAG Input	VDD33
	JX2	I	JX Input 2 (DSP2/3-JX2)	
64	TDI	I	JTAG Input	VDD33
	JX3	I	JX Input 3 (DSP2/3-JX3)	

* The exposed pad on the bottom surface of the package must be connected to the ground to reduce the need for heat-sinking.

■ Handling the Unused Pins

Unused I/O pins must be connected appropriately.

Classification	Pin Name (Pin No.)	Setting
Digital	SDOUT6/DIT(1), SDOUT5/GPO3(5), DIRINT/RDY/GPO0(6), SDOUT4(13), SDOUT3/GPO2(14), ESDO/GPIO04(25), ESCLK/GPIO05(26), ECSO/GPIO07(28), SO/SDA(33), STO/RDY(34), CLKO(36), SDOUT2(41), SDOUT1(46), TDO/GPO1(62)	Open
	BICKE(3), LRCKE(4), SDIN5/DMDAT2(9), SDIN4/DMDAT1(10), BICKD/DMCLK2(11), LRCKD/DMCLK1(12), SDIN3(15), LRCKC(16), BICKC(17), GPIO00/SDIN7(18), GPIO01/SDOUT7(19), GPIO02/SDIN8(23), GPIO03/SDOUT8(24), ESDI/GPIO06(27), CSN(30), I2CFIL/SI(31), SCL/SCLK(32), SELE(35), BICKB(39), LRCKB(40), SDIN2(42), SDIN1(45), LRCKA(47), BICKA(48), TESTI1(55), RX0(56), TESTI2(57), SDIN6/RX1(59), TRST/JX0(60), TCK/JX1(61), TMS/JX2(63), TDI/JX3(64),	Connect to VSS1~4, 6
Analog	XTO(49), TESTA1(53), TESTA2(54)	Open
	XTI(50)	Connect to VSS5

Table 1. Handling of Unused Pins

■ Relationship between Digital Power Supply and Input/Output Pins

Power Supply	Input/output Pins
TVDD1 (1.7~3.3V)	BICKA(48), LRCKA(47), SDOUT1(46), SDIN1(45), SDIN2(42), SDOUT2(41), LRCKB(40), BICKB(39), CLKO(36), SELE(35), STO/RDY(34), SDA/SO(33), SCL/SCLK(32), I2CFIL/SI(31), CSN(30), PDN(29)
TVDD2 (1.7~3.3V)	SDIN5/DMDAT2(9), SDIN4/DMDAT1(10), BICKD/DMCLK2(11), LRCKD/DMCLK1(12), SDOUT4(13), SDOUT3/GPO2(14), SDIN3(15), LRCKC(16), BICKC(17), GPIO00/SDIN7(18), GPIO01/SDOUT7(19), GPIO02/SDIN8(23), GPIO03/SDOUT8(24), ESDO/GPIO04(25), ESCLK/GPIO05(26), ESDI/GPIO06(27), ECSO/GPIO07(28)
VDD33 (3.3V)	TESTI2(55), RX0(56), SDIN6/RX1(59), TRST/JX0(60), TCK/JX1(61), TDO/GPO1(62), TMS/JX2(63), TDI/JX3(64), SDOUT6/DIT(1), TESTI1(2), BICKE(3), LRCKE(4), SDOUT5/GPO3(5), DIRINT/GPO0(6)
AVDD (3.3V)	XTO(49), XTI(50), TESTA1(53), TESTA2(54)

Table 2. Relationship between Digital Power Supply and Input/output Pins

■ Power-down Pin Status

No	Pin Name	I/O	Power-down Status	No	Pin Name	I/O	Power-down Status
1	SDOUT6	O	"L" Output	32	SCL	I	Input
2	TESTI1	I	Input (Pulled-down)	33	SDA	I/O	Input
3	BICKE	I/O	Input(Pulled-down)	34	STO	O	"L" Output
4	LRCKE	I/O	Input (Pulled-down)	35	SELE	I	Input
5	SDOUT5	O	"L" Output	36	CLKO	O	Output
6	DIRINT	O	"L" Output	39	BICKB	I/O	Input (Pulled-down)
9	SDIN5	I	Input	40	LRCKB	I/O	Input (Pulled-down)
10	SDIN4	I	Input	41	SDOUT2	O	"L" Output
11	BICKD	I/O	Input (Pulled-down)	42	SDIN2	I	Input
12	LRCKD	I/O	Input (Pulled-down)	45	SDIN1	I	Input
13	SDOUT4	O	"L" Output	46	SDOUT1	O	"L" Output
14	SDOUT3	O	"L" Output	47	LRCKA	I/O	Input (Pulled-down)
15	SDIN3	I	Input	48	BICKA	I/O	Input (Pulled-down)
16	LRCKC	I/O	Input (Pulled-down)	49	XTO	O	SELE="L": "H" Output SELE="H": Inverted Output of XTI
17	BICKC	I/O	Input (Pulled-down)	50	XTI	I	Input
18	GPIO00	I/O	Input (Pulled-down)	53	TESTA1	I/O	"Hi-Z" Output
19	GPIO01	I/O	Input (Pulled-down)	54	TESTA2	I/O	"Hi-Z" Output
23	GPIO02	I/O	Input (Pulled-down)	55	TESTI2	I	Input (Pulled-down)
24	GPIO03	I/O	Input (Pulled-down)	56	RX0	I	Input
25	ESDO	I/O	"L" Output (Pulled-down)	59	SDIN6	I	Input
26	ESCLK	I/O	"L" Output (Pulled-down)	60	TRST	I	Input (Pulled-down)
27	ESDI	I/O	Input (Pulled-down)	61	TCK	I	Input (Pulled-down)
28	ECSSO	I/O	"H" Output	62	TDO	O	"L" Output
29	PDN	I	"L" Input	63	TMS	I	Input (Pulled-down)
30	CSN	I	Input	64	TDI	I	Input (Pulled-down)
31	I2CFIL	I	Input				

Table 3. Power-down Pin Status (just after Power-up)

6. Absolute Maximum Ratings

(VSS1~6 = 0V; * 1)

Parameter	Symbol	Min.	Max.	Unit
Power Supply				
Analog	AVDD	-0.3	3.9	V
Digital1(Core)	VDD12	-0.3	1.4	V
Digital2(I/F)	TVDD1	-0.3	3.9	V
Digital3(I/F)	TVDD2	-0.3	3.9	V
Digital4(I/F)	VDD33	-0.3	3.9	V
Difference (VSS1 ~ VSS6) (* 1)	ΔGND	-0.3	0.3	V
Input Current (Except power pins)	IIN	-	±10	mA
Analog Input Voltage (* 2)	VINA	-0.3	(AVDD+0.3) or 3.9	V
Digital Input Voltage (* 3)	VIND1	-0.3	(TVDD1+0.3) or 3.9	V
Digital Input Voltage (* 4)	VIND2	-0.3	(TVDD2+0.3) or 3.9	V
Digital Input Voltage (* 5)	VIND3	-0.3	(VDD33+0.3) or 3.9	V
Ambient Temperature	Ta	-40	85	°C
Storage Temperature	Tstg	-65	150	°C

Notes:

- * 1. All voltages are with respect to ground. VSS1 ~ VSS6 must be connected to the same ground.
- * 2. The maximum analog input voltage of the XT1 pin is the smaller value between (AVDD+0.3)V and 3.9V.
- * 3. The maximum digital input voltage of SDIN1, SDIN2, LRCKA, BICKA, LRCKB, BICKB, SELE, SO/SDA, CSN, SI/I2CFIL, SCLK/SCL and PDN pins is the smaller value between (TVDD1+0.3)V and 3.9V.
- * 4. The maximum digital input voltage of SDIN3, SDIN4/DMDAT1, SDIN5/DMDAT2, LRCKD/DMCLK2, BICKD/DMCLK1, GPIO00/SDIN7, GPIO01/SDOUT7, GPIO02/SDIN8, GPIO03/SDOUT8, ESDO/GPIO04, ESCLK/GPIO05, ESDI/GPIO06, ECSO/GPIO07, LRCKC and BICKC pins is the smaller value between (TVDD2+0.3)V or 3.9V.
- * 5. The maximum digital input voltage of SDIN6/RX1, RX0, TDI/JX3, TMS/JX2, TCK/JX1, TRST/JX0, LRCKE, BICKE, TESTI1 and TESTI2 pins is the smaller value between (VDD33+0.3)V or 3.9V.

WARNING: Operation at or beyond these limits may result in permanent damage to the device. Normal operation is not guaranteed at these extremes.

7. Recommended Operating Conditions
--

(VSS1~6 = 0V; * 1)

Parameter	Symbol	Min.	Typ.	Max.	Unit
Power Supply					
Analog	AVDD	3.13	3.3	3.47	V
Digital (3.3V, I/F)	VDD33	3.13	3.3	3.47	V
Digital (1.2V Core)	VDD12	1.14	1.2	1.3	V
Digital (I/F)	TVDD1	1.7	3.3	3.47	V
Digital (I/F)	TVDD2	1.7	3.3	3.47	V

Notes:

- * 6. TVDD2 must be supplied from the first regulator that is powered up.
- * 7. All power supply pins must be connected to the power supply.
- * 8. The PDN pin should be held "L" when power is supplied. The PDN pin is allowed to be "H" after all power supplies are applied and settled.
- * 9. The power up sequence must be executed from the beginning when changing power supply level of the TVDD1 and TVDD2. (e.g. 1.8V → 3.3V)
- * 10. Do not turn off the power supply of the AK7707 with the power supply of the surrounding device turned on. When using the I²C interface, pull-up resistors of SDA and SCL pins should be connected to TVDD1 or less voltage.

WARNING: AKM assumes no responsibility for the usage beyond the conditions in the datasheet.

8. Electrical Characteristics

■ SRC

(Ta= 25°C; VDD12= 1.2V, AVDD= VDD33= TVDD1= TVDD2= 3.3V; VSS1 ~ 6= 0V;
Signal Frequency= 1kHz; 24-bit Data; Measurement Frequency=20Hz ~ FSO/2)

	Parameter	Symbol	Min.	Typ.	Max.	Unit
SRC	Resolution				24	bit
	Input Sample Rate	FSI	8		192 (* 11)	kHz
	Output Sample Rate	FSO	8		192	kHz
	THD+N (Input=1kHz, 0dBFS)					
	Audio Mode					
	FSO/FSI=192kHz/48kHz				-122	dB
	FSO/FSI=44.1kHz/48kHz				-125	dB
	FSO/FSI=48kHz/88.2kHz				-122	dB
	FSO/FSI=48kHz/96kHz				-133	dB
	FSO/FSI=44.1kHz/96kHz				-116	dB
	FSO/FSI=48kHz/192kHz				-133	dB
	FSO/FSI=8kHz/48kHz				-130	dB
	Voice Mode					
	FSO/FSI=24kHz/32kHz				-95	dB
	FSO/FSI=16kHz/24kHz				-98	dB
	FSO/FSI=24kHz/44.1kHz				-78	dB
	FSO/FSI=16kHz/44.1kHz				-69	dB
	FSO/FSI=8kHz/32kHz				-130	dB
	Dynamic Range (Input=1kHz, -60dBFS)					
	Audio Mode					
	FSO/FSI=192kHz/48kHz				132	dB
	FSO/FSI=44.1kHz/48kHz				136	dB
	FSO/FSI=48kHz/88.2kHz				135	dB
	FSO/FSI=48kHz/96kHz				136	dB
	FSO/FSI=44.1kHz/96kHz				136	dB
FSO/FSI=48kHz/192kHz				136	dB	
FSO/FSI=8kHz/48kHz				130	dB	
Voice Mode						
FSO/FSI=24kHz/32kHz				132	dB	
FSO/FSI=16kHz/24kHz				135	dB	
FSO/FSI=24kHz/44.1kHz				132	dB	
FSO/FSI=16kHz/44.1kHz				128	dB	
FSO/FSI=8kHz/32kHz				130	dB	
Dynamic Range (Input=1kHz, -60dBFS, A-weighted)						
FSO/FSI=44.1kHz/48kHz				137	dB	
Ratio between Input and Output Sample Rate	FSO/FSI	0.167			6	-

Note:

* 11. Only two SRCs are available out of SRC1-4 when the operation frequency is 192kHz.

■ SPDIF Characteristics

(Ta = -40 ~ 85°C, VDD33 = 3.13 ~ 3.47V)

Parameter	Symbol	Min	Typ.	Max.	Unit
RX0 input voltage level (internally biased at VDD33 / 2)	VIH	100		VDD33	mV
	VIL	-INVREF		-100	mV
Input Hysteresis	VTY		50		mV
Input Reference Voltage	INVREF		VDD33 / 2		V
Input Resistance	Zin		10		kΩ
Input Sampling Frequency	fs	8		96	kHz

■ Digital Microphone Interface

(AVDD=3.0~3.6V, TVDD=1.7~3.6V, VDD12=1.14~1.3V, AVSS=DVSS=0V, Ta= -40°C~85°C;
CL=100pF)

Parameter	Symbol	Min.	Typ.	Max.	Unit
DMDAT1, DMDAT2					
Serial Data Input Latch Set Up Time	tDMDS	50			ns
Serial Data Input Latch Hold Time	tDMDH	0			ns
DMCLK1, DMCLK2					
Colock Frequency	fDMCK (* 12)	0.5	64fs	6.2	MHz
Duty Ratio	dDMCK	40	50	60	%

Note:

* 12. Clock frequency is determined by the sampling frequency (fs) that is selected by SDDMIC1[2:0] bits/SDDMIN2[2:0] bits

■ Current Consumption

(Ta= 25°C; AVDD=3.0~3.47V(Typ.=3.3V, Max.=3.47V); VDD33=3.0 ~ 3.47V (Typ.=3.3V, Max.=3.47V);
VDD12=1.14 ~ 1.3V (Typ.=1.2V, Max.=1.3V); TVDD1=1.7 ~ 3.47V (Typ.=3.3V, Max.=3.47V);
TVDD2=1.7 ~ 3.47V (Typ.=3.3V, Max.=3.47V); VSS1 ~ 6=0V)

Parameter	Symbol	Min.	Typ.	Max.	Unit
Power-Up (* 13) (PDN pin= "H")	AVDD		8	15	mA
	VDD33		6	12	mA
	VDD12		220	650	mA
	TVDD1		17	24	mA
	TVDD2		12	18	mA
Power-Down (PDN pin= "L")	AVDD		100		uA
	VDD33		10		uA
	VDD12		3		mA
	TVDD1		10		uA
	TVDD2		10		uA

Note:

* 13. The current consumption changes depending on the system frequency and function of DSP program.

9. Digital Filter Characteristics
--

■ SRC Block

Audio Mode

(Ta = -40~85°C; VDD12 = 1.14~1.3V; AVDD = 3.13~3.47V; VDD33 = 3.13~3.47V; TVDD1 = 1.7~3.47V; TVDD2 = 1.7~3.47V; VSS1~6 = 0V)

Parameter		Symbol	Min.	Typ.	Max	Unit	
Passband	-0.01dB	$0.980 \leq FSO/FSI \leq 6.000$	PB	0		0.4583FSI	kHz
	-0.01dB	$0.900 \leq FSO/FSI < 0.990$	PB	0		0.4167FSI	kHz
	-0.01dB	$0.533 \leq FSO/FSI < 0.909$	PB	0		0.2182FSI	kHz
	-0.01dB	$0.490 \leq FSO/FSI < 0.539$	PB	0		0.2177FSI	kHz
	-0.01dB	$0.450 \leq FSO/FSI < 0.495$	PB	0		0.1948FSI	kHz
	-0.01dB	$0.225 \leq FSO/FSI < 0.455$	PB	0		0.1312FSI	kHz
	-0.50dB	$0.167 \leq FSO/FSI < 0.227$	PB	0		0.0658FSI	kHz
Stopband		$0.980 \leq FSO/FSI \leq 6.000$	SB	0.5417FSI			kHz
		$0.900 \leq FSO/FSI < 0.990$	SB	0.5021FSI			kHz
		$0.533 \leq FSO/FSI < 0.909$	SB	0.2974FSI			kHz
		$0.490 \leq FSO/FSI < 0.539$	SB	0.2812FSI			kHz
		$0.450 \leq FSO/FSI < 0.495$	SB	0.2604FSI			kHz
		$0.225 \leq FSO/FSI < 0.455$	SB	0.1802FSI			kHz
		$0.167 \leq FSO/FSI < 0.227$	SB	0.0970FSI			kHz
Passband Ripple		$0.225 \leq FSO/FSI \leq 6.000$	PR			±0.01	dB
		$0.167 \leq FSO/FSI < 0.227$	PR			±0.50	dB
Stopband Attenuation		$0.450 \leq FSO/FSI \leq 6.000$	SA	95.2			dB
		$0.167 \leq FSO/FSI < 0.455$	SA	85.0			dB
Group Delay (Ts=1/fs) (* 14)			GD		67 (55/FSI+12/FSO)		Ts

Notes:

- * 14. Calculated delay time in the SRC block only. This time is measured from a rising edge of LRCK after a signal input to the SRC until a rising edge of LRCK before a data output when there is no phase difference between input and output.

Voice Mode

(Ta= -40 ~ 85°C; VDD12=1.14 ~ 1.3V; AVDD=3.13 ~ 3.47V; VDD33=3.13 ~ 3.47V; TVDD1=1.7 ~ 3.47V; TVDD2=1.7 ~ 3.47V; VSS1 ~ 6= 0V)

Parameter			Symbol	Min.	Typ.	Max.	Unit
Passband	-0.01dB	$0.980 \leq \text{FSO/FSI} \leq 6.000$	PB	0		0.4583FSI	kHz
	-0.01dB	$0.900 \leq \text{FSO/FSI} < 0.990$	PB	0		0.4167FSI	kHz
	-0.50dB	$0.711 \leq \text{FSO/FSI} < 0.910$	PB	0		0.3420FSI	kHz
	-0.50dB	$0.653 \leq \text{FSO/FSI} < 0.718$	PB	0		0.3007FSI	kHz
	-0.50dB	$0.450 \leq \text{FSO/FSI} < 0.660$	PB	0		0.2230FSI	kHz
	-0.50dB	$0.327 \leq \text{FSO/FSI} < 0.455$	PB	0		0.1417FSI	kHz
	-0.50dB	$0.225 \leq \text{FSO/FSI} < 0.330$	PB	0		0.1018FSI	kHz
	-0.50dB	$0.167 \leq \text{FSO/FSI} < 0.227$	PB	0		0.0658FSI	kHz
Stopband		$0.980 \leq \text{FSO/FSI} \leq 6.000$	SB	0.5417FSI			kHz
		$0.900 \leq \text{FSO/FSI} < 0.990$	SB	0.5021FSI			kHz
		$0.711 \leq \text{FSO/FSI} < 0.910$	SB	0.3735FSI			kHz
		$0.653 \leq \text{FSO/FSI} < 0.718$	SB	0.3320FSI			kHz
		$0.450 \leq \text{FSO/FSI} < 0.660$	SB	0.2490FSI			kHz
		$0.327 \leq \text{FSO/FSI} < 0.455$	SB	0.1660FSI			kHz
		$0.225 \leq \text{FSO/FSI} < 0.330$	SB	0.1248FSI			kHz
		$0.167 \leq \text{FSO/FSI} < 0.227$	SB	0.0970FSI			kHz
Passband Ripple		$0.900 \leq \text{FSO/FSI} \leq 6.000$	PR			±0.01	dB
		$0.167 \leq \text{FSO/FSI} \leq 0.539$	PR			±0.50	dB
Stopband Attenuation		$0.900 \leq \text{FSO/FSI} \leq 6.000$	SA	95.2			dB
		$0.653 \leq \text{FSO/FSI} < 0.909$	SA	90.0			dB
		$0.450 \leq \text{FSO/FSI} \leq 0.660$	SA	70.0			dB
		$0.167 \leq \text{FSO/FSI} < 0.455$	SA	60.0			dB
Group Delay (Ts=1/fs) (* 14)			GD		67 (55FSI+12FSO)		Ts

Echo Canceller Mode

(Ta= -40 ~ 85°C; VDD12=1.14 ~ 1.3V; AVDD=3.13 ~ 3.47V; VDD33=3.13 ~ 3.47V; TVDD1=1.7 ~ 3.47V; TVDD2=1.7 ~ 3.47V; VSS1 ~ 6= 0V)

Parameter			Symbol	Min.	Typ.	Max.	Unit
Passband	-0.01dB	$0.167 \leq \text{FSO/FSI} \leq 6.000$	PB	0		0.4583FSI	kHz
Stopband		$0.167 \leq \text{FSO/FSI} \leq 6.000$	SB	0.5417FSI			kHz
Passband Ripple		$0.167 \leq \text{FSO/FSI} \leq 6.000$	PR			±0.01	dB
Stopband Attenuation		$0.167 \leq \text{FSO/FSI} \leq 6.000$	SA	95.2			dB
Group Delay (Ts=1/fs) (* 14)			GD		67 (55FSI+12FSO)		Ts

Note:

- * 15. This time is measured from a rising edge of LRCK after a signal input to the SRC until a rising edge of LRCK before a data output when there is no phase difference between input and output.
- * 16. Calculated delay time in the SRC block only. This time is measured from a rising edge of LRCK after a signal input to the SRC until a rising edge of LRCK before a data output when there is no phase difference between input and output.

10. DC Characteristics

■ DC Characteristics

(Ta = -40~85°C; VDD12 = 1.14~1.3V; AVDD = 3.13~3.47V; VDD33 = 3.13~3.47V; TVDD1 = 1.7~3.47V; TVDD2 = 1.7~3.47V; VSS1~6 = 0V)

Parameter	Symbol	Min.	Typ.	Max.	Unit	
High-Level Input Voltage 1 (* 17)	VIH1	80%TVDD1			V	
Low-Level Input Voltage 1 (* 17)	VIL1			20%TVDD1	V	
High-Level Input Voltage 2 (* 18)	VIH2	80%TVDD2			V	
Low-Level Input Voltage 2 (* 18)	VIL2			20%TVDD2	V	
High-Level Input Voltage 2 DMDAT1/2	VIH2DM	65%TVDD2			V	
Low-Level Input Voltage 2 DMDAT1/2	VIL2DM			35%TVDD2	V	
High-Level Input Voltage 3 (* 19)	VIH3	80%VDD33			V	
Low-Level Input Voltage 3 (* 19)	VIL3			20%VDD33	V	
High-Level Input Voltage A (* 20)	VIHA	80%AVDD			V	
Low-Level Input Voltage A (* 20)	VILA			20%AVDD	V	
SCL, SDA High-Level Input Voltage	VIH4	70%TVDD1			V	
SCL, SDA Low-Level Input Voltage	VIL4			30%TVDD1	V	
High-Level Input Voltage Iout= -100μA (* 17)	VOH1	TVDD1-0.3			V	
Low-Level Input Voltage Iout= 100μA (* 17)	VOL1			0.3	V	
High-Level Input Voltage Iout= -100μA (* 18)	VOH2	TVDD2-0.3			V	
Low-Level Input Voltage Iout= 100μA (* 18)	VOL2			0.3	V	
High-Level Input Voltage Iout= -100μA (* 19)	VOH3	VDD33-0.3			V	
Low-Level Input Voltage Iout= 100μA (* 19)	VOL3			0.3	V	
High-Level Input Voltage Iout= -100μA (* 20)	AVOH	AVDD-0.3			V	
Low-Level Input Voltage Iout= 100μA (* 20)	AVOL			0.3	V	
SCL, SDA Low-Level Output Voltage	Fast Mode					
	TVDD2 ≥ 2.0V (Iout= 3mA)	VOL4			0.4	V
	TVDD2 < 2.0V (Iout= 3mA)	VOL4			20%TVDD1	V
	Fast Mode Plus					
	TVDD2 ≥ 2.0V (Iout= 10mA) (* 21)	VOL4			0.4	V
	TVDD2 < 2.0V (Iout= 3mA)	VOL4			20%TVDD1	V
Input Leak Current (* 22)	lin			±10	μA	
Input Leak Current, Pulled down pin (* 23)	lid		80		μA	
			43		kΩ	
Input Leak Current, XTI pin	lix			±10	μA	

Notes:

- * 17. SDIN1, SDIN2, SDOUT1, SDOUT2, LRCKA, BICKA, LRCKB, BICKB CLKO, PDN, SCLK, SO, CSN, SI/I2CFIL, STO/RDY and SELE pins. The SCL and SDA pins are not included.
- * 18. SDIN3, SDIN4/DMDAT1, SDIN5/DMDAT2, LRCKD/DMCLK1, BICKD/DMCLK2, SDOUT3/GPO2, SDOUT4, SDIN5, LRCKC, BICKC, LRCKD, GPIO0/SDIN7, GPIO01/SDOUT7, GPIO02/SDIN8, GPIO03/SDOUT8, ESDO/GPIO04, ESCLK/GPIO05, ESDI/GPIO06 and ECSO/GPIO07 pins.
- * 19. TDO / GPO1, TDI/JX3, TMS/JX2, TCK/JX1, TRST/JX0, SDIN6/RX1, RX0, SDOUT5/GPO3, DIRINT/GPO0, SDOUT6/DIT, LRCKE, BICKE, TESTI1 and TESTI2 pins.
- * 20. At the XTI pin in external input mode.
- * 21. Must be pulled up by 347Ω or more and connected to TVDD2.
- * 22. Internal Pulled-down pins and the XTI pin are not included.
- * 23. For pins with internal pulled-down registers. (Typ. 43 kΩ @3.3V). TESTI1, BICKE, LRCKE, BICKD/DMCLK2, LRCKD/DMCLK1, LRCKC, BICKC, GPIO00/SDIN7, GPIO01/SDOUT7, GPIO02/SDIN8, GPIO03/SDOUT8, ESDO/GPIO04, ESCLK/GPIO05, ESDI/GPIO06, ECSO/GPIO07, BICKB, LRCKB, LRCKA, BICKA, TESTI2, TRST/JX0, TCK/JX1, TMS/JX2, TDI and JX3 pins.

11. Switching Characteristics

■ System Clock

($T_a = -40\sim 85^\circ\text{C}$; $V_{DD12} = 1.14\sim 1.3\text{V}$; $A_{VDD} = 3.13\sim 3.47\text{V}$; $V_{DD33} = 3.13\sim 3.47\text{V}$; $T_{VDD1} = 1.7\sim 3.47\text{V}$; $T_{VDD2} = 1.7\sim 3.47\text{V}$; $V_{SS1\sim 6} = 0\text{V}$; $C_L = 20\text{pF}$)

Parameter	Symbol	Min.	Typ.	Max.	Unit
XTI Input Timing					
a) X'tal Oscillator					
Input Frequency	fXTI	11.2896		24.576	MHz
b) XTI Clock Input					
Duty Cycle		40	50	60	%
Input Frequency	fXTI	0.256		24.576	MHz
CLKO Output Timing					
Output Frequency	fCLKO	2.048		24.576	MHz
Duty Cycle	dCLKO		50		%
LRCK/BICK Input Timing (Slave Mode)					
LRCK Input Timing					
Frequency	fs	8		192	kHz
BICK Input Timing					
Frequency (* 24)	fBCLK	0.256		24.576	MHz
Duty Cycle	dBCLK	40	50	60	%
LRCK/BICK Output Timing (PLL Master Mode)					
LRCK Output Timing					
Frequency	fs	8		192	kHz
Pulse Width High PCM Mode Except PCM Mode	tLRCKH tLRCKH		1/fBCLK 50		s %
BICK Output Timing					
Frequency (* 24)	fBCLK	0.256		24.576	MHz
Duty	dBCLK		50		%

Note:

* 24. This value must be " $f_{BCLK} \geq 2 \times f_s \times (\text{input/output data length})$ ".

■ Power Down

($T_a = -40\sim 85^\circ\text{C}$; $V_{DD12} = 1.14\sim 1.3\text{V}$; $A_{VDD} = 3.13\sim 3.47\text{V}$; $V_{DD33} = 3.13\sim 3.47\text{V}$; $T_{VDD1} = 1.7\sim 3.47\text{V}$; $T_{VDD2} = 1.7\sim 3.47\text{V}$; $V_{SS1\sim 6} = 0\text{V}$)

Parameter	Symbol	Min.	Typ.	Max.	Unit
PDN Pulse Width (* 25)	tRST	600			ns

Note:

* 25. The PDN pin must be "L" when power up the AK7707.

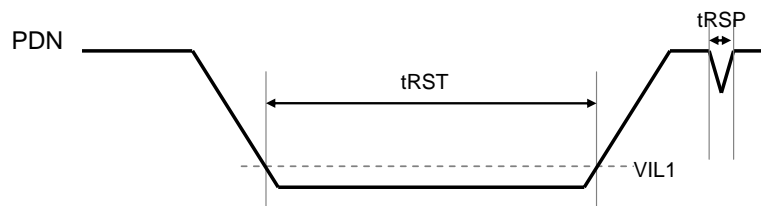


Figure 5. Reset Timing

■ Serial Data Interface (SDIN1~SDIN8, SDOUT1~SDOUT8)

(Ta = -40~85°C; VDD12 = 1.14~1.3V; AVDD = 3.13~3.47V; VDD33 = 3.13~3.47V; TVDD1 = 1.7~3.47V; TVDD2 = 1.7~3.47V; VSS1~6 = 0V; CL=20pF)

Parameter	Symbol	Min.	Typ.	Max.	Unit
Slave Mode					
Delay Time from BICK “↑” to LRCK (* 26)	tBLRD	10			ns
Delay Time from LRCK to BICK “↑” (* 26)	tLRBD	10			ns
Serial Data Input Latch Setup Time	tBSIDS	10			ns
Serial Data Input Latch Hold Time	tBSIDH	5			ns
Delay Time from LRCK to Serial Data Output (* 27)	tBSOD1			22	ns
Delay Time from BICK “↓” to Serial Data Output (* 26, * 28)	tBSOD2	5		30	ns
Master Mode					
BICK Frequency	fBCLK		32, 48, 64, 128, 256, 512		fs
BICK Duty Cycle			50		%
Delay Time from BICK “↓” to LRCK (* 28)	tMBL	-10		10	ns
Serial Data Input Latch Setup Time	tBSIDS	20			ns
Serial Data Input Latch Hold Time	tBSIDH	10			ns
Delay Time from BICK “↓” to Serial Data Output (* 27, * 28)	tBSOD			10	ns

Notes:

- * 26. Measured from BICK “↓” when the BICK polarity is inverted by setting BCKPx bit = “1”.
- * 27. Measured from BICK “↑” when the BICK polarity is inverted by setting BCKPx bit = “1”.
- * 28. Set SDOPHx bit to “1” and the data should be output based on BICK “↑” if BICK is faster than 12.288MHz such as when using TDM256 mode with 96kHz sampling frequency in slave mode. SDOPHx bit must be set to “0” in master mode.

1. Slave Mode

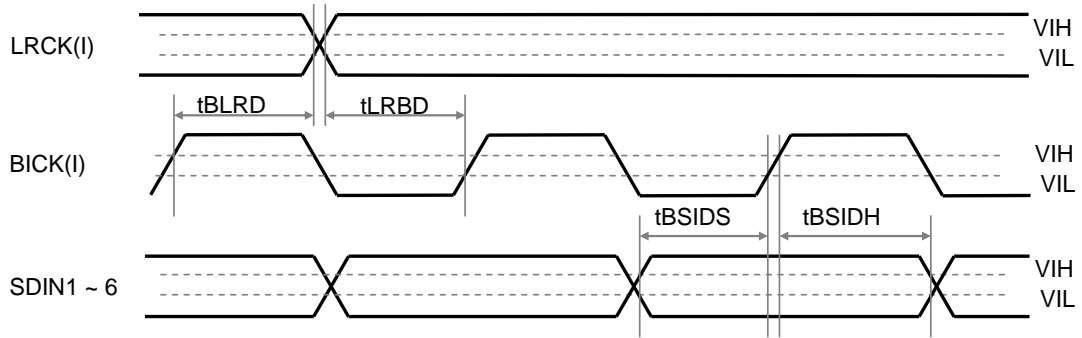


Figure 6. Serial Interface Input Timing in Slave Mode

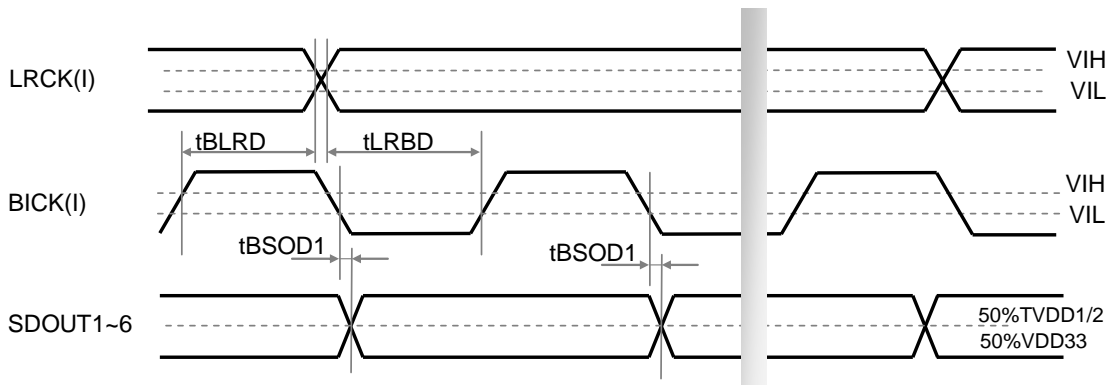


Figure 7. Serial Interface Output Timing in Slave Mode (SDOPHx bit = "0")

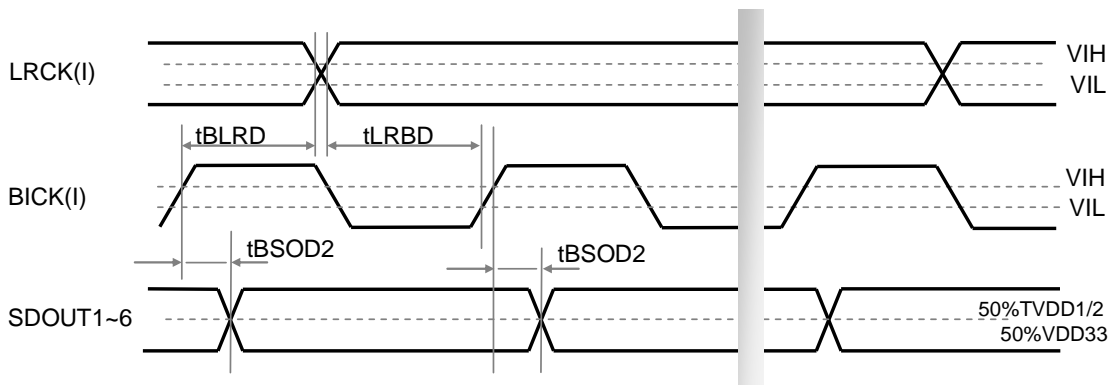
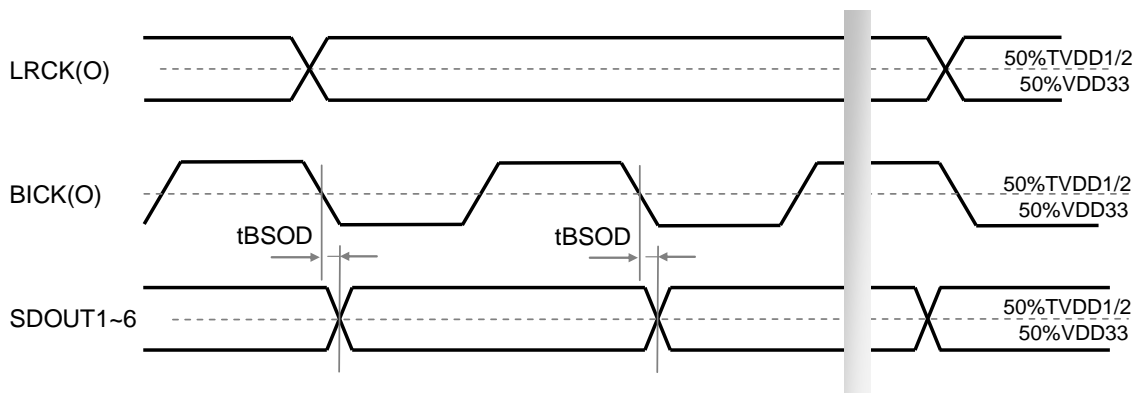
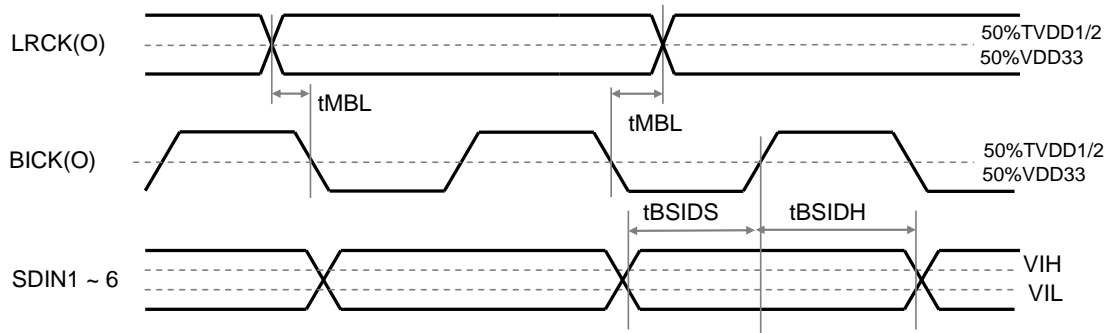


Figure 8. Serial Interface Output Timing in Slave Mode (SDOPHx bit = "1")

2. Master Mode



■ SPI Interface

1. Clock Reset (CKRESETN bit = "0")

(Ta = -40~85°C; VDD12 = 1.14~1.3V; AVDD = 3.13~3.47V; VDD33 = 3.13~3.47V; TVDD1 = 1.7~3.47V; TVDD2 = 1.7~3.47V; VSS1~6 = 0V; CL = 20pF)

Parameter	Symbol	Min.	Typ.	Max.	Unit
μP Interface Signal					
SCLK Frequency	fSCLK			3.5	MHz
SCLK Low-level Width	tSCLKL	135			ns
SCLK High-level Width	tSCLKH	135			ns
Microcontroller → AK7707					
CSN High-level Width	tWRQH	300			ns
From CSN "↑" to PDN "↑"	tRST	360			ns
From PDN "↑" to CSN "↓"	tIRRQ	1			ms
From CSN "↓" to SCLK "↓"	tWSC	300			ns
From SCLK "↑" to CSN "↑"	tSCW	480			ns
SI Latch Setup Time	tSIS	120			ns
SI Latch Hold Time	tSIH	120			ns
AK7707 → Microcontroller					
Delay Time from SCLK "↓" to SO Output	tSOS			120	ns
SO Output Hold Time from SCLK "↑" (* 29)	tSOH	120			ns

Note:

* 29. Except when writing the 8th bit of the command code.

2. PLL Lock (CKRESETN bit = "1" and PLL is locked)

(Ta = -40~85°C; VDD12 = 1.14~1.3V; AVDD = 3.13~3.47V; VDD33 = 3.13~3.47V; TVDD1 = 1.7~3.47V; TVDD2 = 1.7~3.47V; VSS1~6 = 0V; CL = 20pF)

Parameter	Symbol	Min.	Typ.	Max.	Unit
μP Interface Signal					
SCLK Frequency (* 30)	fSCLK			7	MHz
SCLK Low-level Width	tSCLKL	60			ns
SCLK High-level Width	tSCLKH	60			ns
Microcontroller → AK7707					
CSN High-level Width	tWRQH	150			ns
From CSN "↑" to PDN "↑"	tRST	180			ns
From PDN "↑" to CSN "↓"	tIRRQ	1			ms
From CSN "↓" to SCLK "↓"	tWSC	150			ns
From SCLK "↑" to CSN "↑"	tSCW	240			ns
SI Latch Setup Time	tSIS	60			ns
SI Latch Setup Time	tSIH	60			ns
AK7707 → Microcontroller					
Delay Time from SCLK "↓" to SO Output	tSOS			60	ns
SO Output Hold Time from SCLK "↑" (* 29)	tSOH	60			ns

Note:

* 30. It takes maximum 10ms to lock PLL after setting CKRESETN bit = "0" → "1".
Control registers can always be accessed by 7MHz.

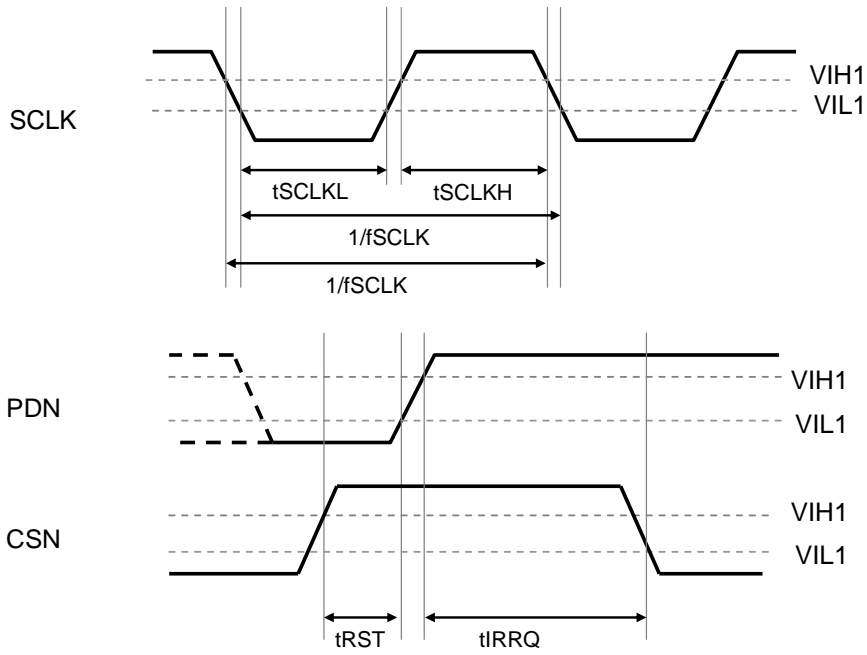


Figure 11. SPI Interface Timing 1

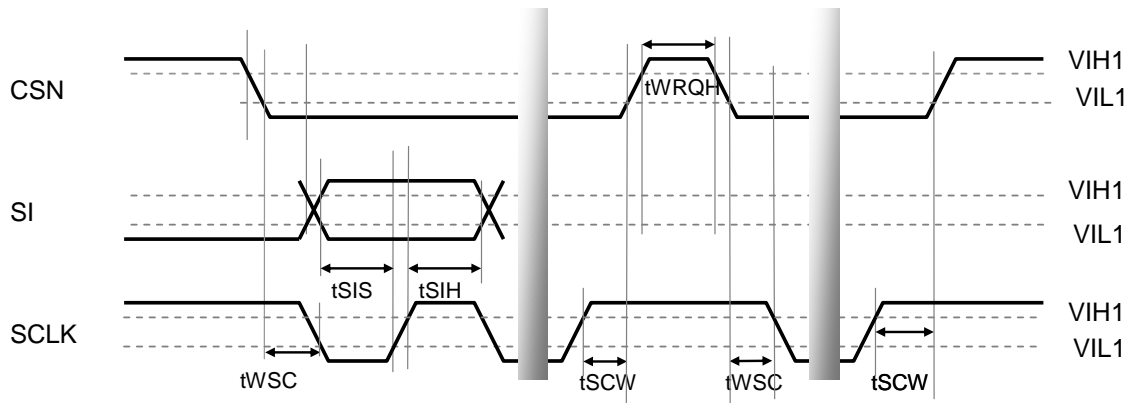


Figure 12. SPI Interface Timing 2 (Microcontroller → AK7707)

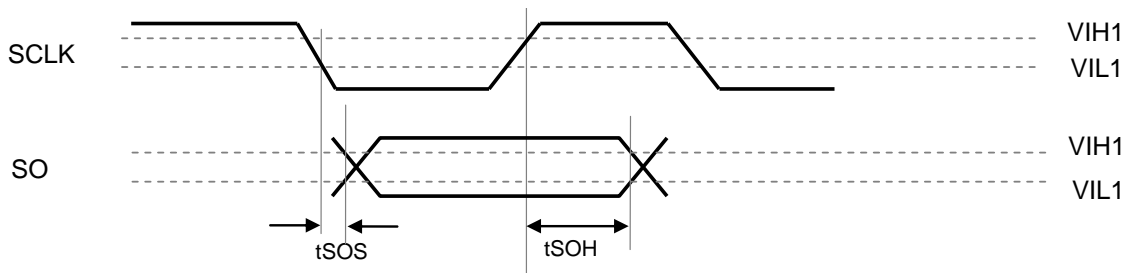


Figure 13. SPI Interface Timing 3 (AK7707 → Microcontroller)

■ I²C Interface

(Ta = -40~85°C; VDD12 = 1.14~1.3V; AVDD = 3.13~3.47V; VDD33 = 3.13~3.47V; TVDD1 = 1.7~3.47V; TVDD2 = 1.7~3.47V; VSS1~6 = 0V; C_L = 20pF)

<I²C: Fast Mode>

Parameter	Symbol	Min.	Typ.	Max.	Unit
I ² C Timing					
SCL clock frequency	fSCL	-	-	400	kHz
Bus Free Time Between Transmissions	tBUF	1.3	-	-	μs
Start Condition Hold Time (prior to first Clock pulse)	tHD:STA	0.6	-	-	μs
Clock Low Time	tLOW	1.3	-	-	μs
Clock High Time	tHIGH	0.6	-	-	μs
Setup Time for Repeated Start Condition	tSU:STA	0.6	-	-	μs
SDA Hold Time from SCL Falling	tHD:DAT	0	-	-	μs
SDA Setup Time from SCL Rising	tSU:DAT	0.1	-	-	μs
Rise Time of Both SDA and SCL Lines	tR	-	-	0.3	μs
Fall Time of Both SDA and SCL Lines	tF	-	-	0.3	μs
Setup Time for Stop Condition	tSU:STO	0.6	-	-	μs
Pulse Width of Spike Noise Suppressed By Input Filter	tSP	0	-	50	ns
Capacitive load on bus	Cb	-	-	400	pF

<I²C: Fast Mode Plus>

Parameter	Symbol	Min.	Typ.	Max.	Unit
I ² C Timing					
SCL clock frequency	fSCL	-	-	1	MHz
Bus Free Time Between Transmissions	tBUF	0.5	-	-	μs
Start Condition Hold Time (prior to first Clock pulse)	tHD:STA	0.26	-	-	μs
Clock Low Time	tLOW	0.5	-	-	μs
Clock High Time	tHIGH	0.26	-	-	μs
Setup Time for Repeated Start Condition	tSU:STA	0.26	-	-	μs
SDA Hold Time from SCL Falling	tHD:DAT	0	-	-	μs
SDA Setup Time from SCL Rising	tSU:DAT	0.05	-	-	μs
Rise Time of Both SDA and SCL Lines	tR	-	-	0.12	μs
Fall Time of Both SDA and SCL Lines	tF	-	-	0.12	μs
Setup Time for Stop Condition	tSU:STO	0.26	-	-	μs
Pulse Width of Spike Noise Suppressed By Input Filter	tSP	0	-	50	ns
Capacitive load on bus	Cb	-	-	550	pF

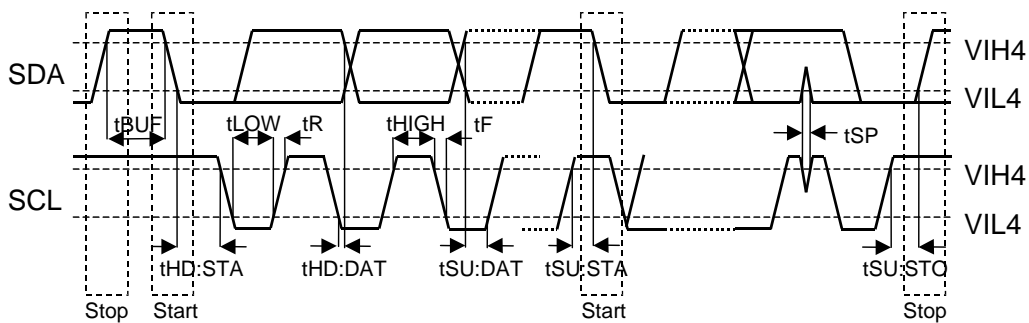


Figure 14. I²C-bus Interface Timing

■ Master SPI Interface

(Ta= -40 ~ 85°C; VDD12=1.14 ~ 1.3V; AVDD=3.13 ~ 3.47V; VDD33=3.13 ~ 3.47V; TVDD1=1.7 ~ 3.47V; TVDD2=1.7 ~ 3.47V; VSS1 ~ 6= 0V; CL= 20pF)

Parameter	Symbol	Min.	Typ.	Max.	Unit
Master Mode					
SCLK Frequency(* 31)	-			6.144	MHz
SCLK Duty (* 32)	-		50		%
ECSO ↓ to ESCLK ↑	-	80			ns
Delay Time from ESCLK ↓ to ESDO	-	-40		40	ns
ESDI Hold Time from ESCLK Rising	-	40			ns
ESDI Setup Time from ESCLK Rising	-	40			ns
Through Mode					
Slave Port → Master Port					
Delay Time from CSN Input to ECSO Output	-	0		40	ns
Delay Time from SCLK Input to ESCLK Output	-	0		40	ns
Delay Time from SI Input to ESDO Output	-	0		40	ns
Master Port → Slave Port					
Delay Time from ESDI Input to SO Output	-	0		40	ns

* 31. When using self-boot function, a X'tal lower than 12.288MHz is supported.

* 32. When dividing number is even.

■ JTAG Interface

(Ta= -40 ~ 85°C; VDD12=1.14 ~ 1.3V; AVDD=3.13 ~ 3.47V; VDD33=3.13 ~ 3.47V; TVDD1=1.7 ~ 3.47V; TVDD2=1.7 ~ 3.47V; VSS1 ~ 6= 0V ; CL= 20pF)

Parameter	Symbol	Min.	Typ.	Max.	Unit
TCK Frequency				7	MHz
TCK Pulse width Low		60			ns
TCK Pulse width High		60			ns
TMS Setup Time from TCK rising		60			ns
TMS Hold Time from TCK rising		60			ns
TDI Setup Time from TCK rising		60			ns
TDI Hold Time from TCK rising		60			ns
TRST Setup Time from TCK rising		60			ns
From TRST “↑” to TCK “↑”		120			ns
Delay Time from TCK falling to TDO				60	ns

12. Recommended External Circuits

■ **Connection Diagram**

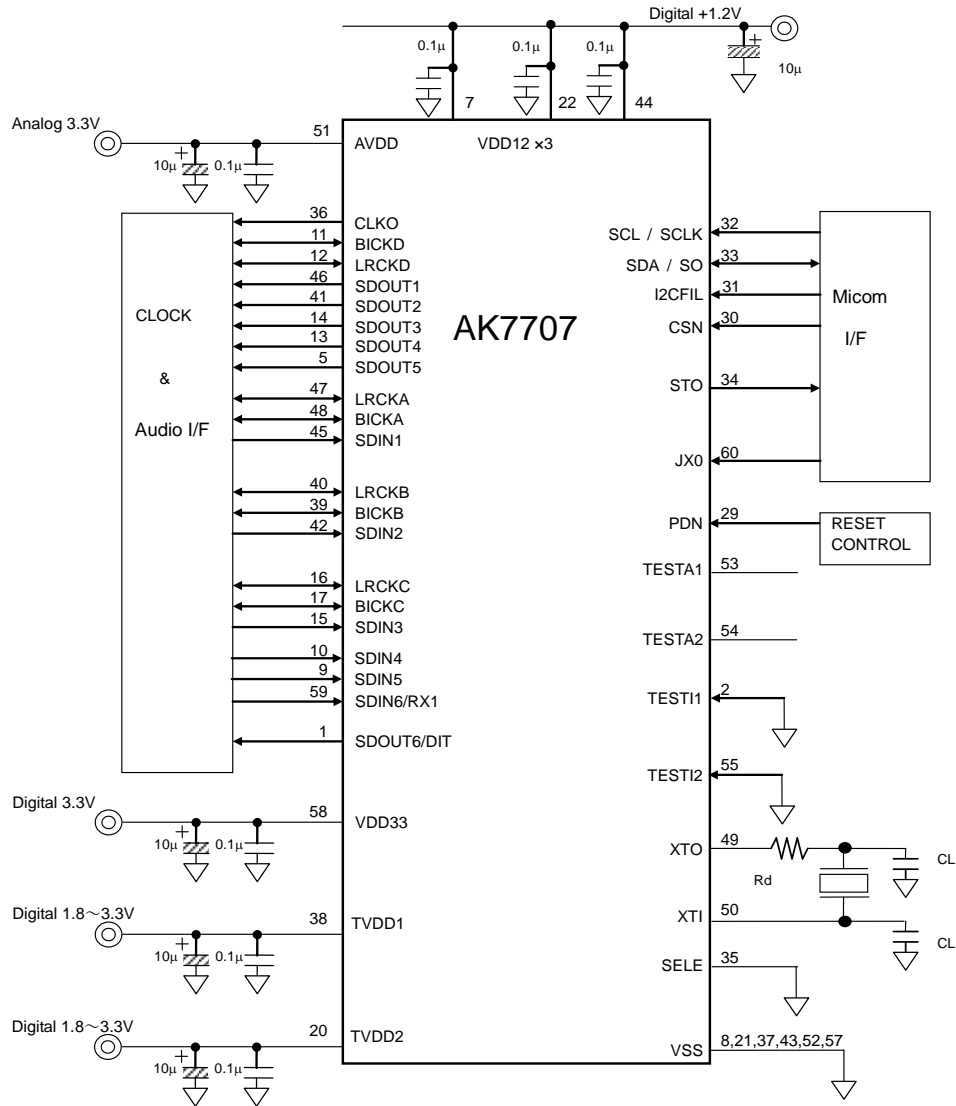


Figure 15. System Connection Diagram

■ Peripheral Circuit

1. Ground

All VSS should be connected to the same analog ground. Decoupling capacitors, particularly ceramic capacitors of small capacity, should be placed at positions as close as possible to the AK7707.

2. Connection to Digital Circuit

To minimize the noise from digital circuits, the digital output of the AK7707 must be connected to CMOS or low voltage logic ICs such as 74HC and 74AC for CMOS and 74LV, 74LV-A, 74ALVC and 74AVC for low voltage logic ICs.

3. Cristal Oscillator

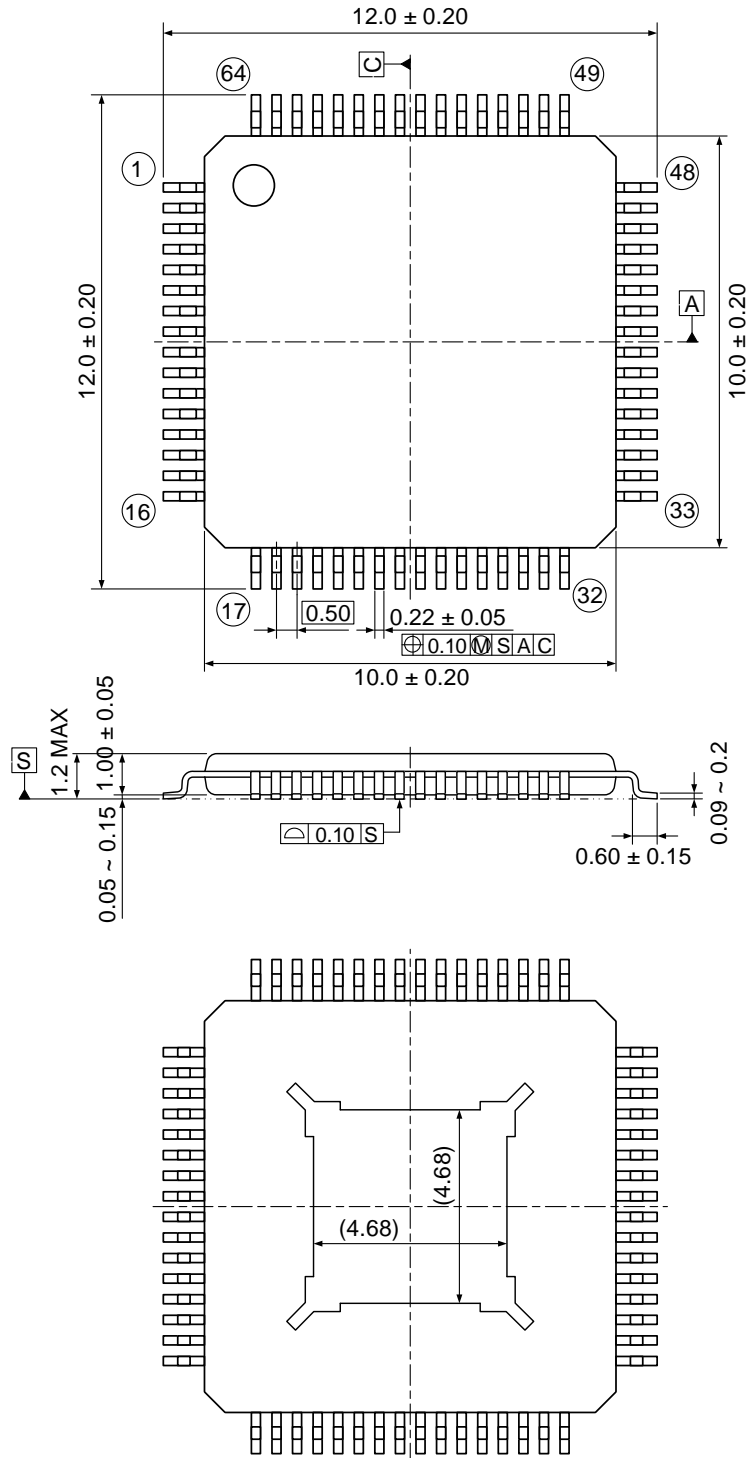
The resistor and capacitor values for the oscillator RC circuit are shown below.

XTAL Oscillator	R1 (Max.)	C0 (Max.)	XTI, XTO pin Capacity (CL)
12.288MHz	80Ω	2.5pF	22pF
18.432MHz	80Ω	2.5pF	22pF
24.576MHz	40Ω	2.5pF	15pF

Table 4. Recommended Resistance and Capacitance with Crystal Oscillator

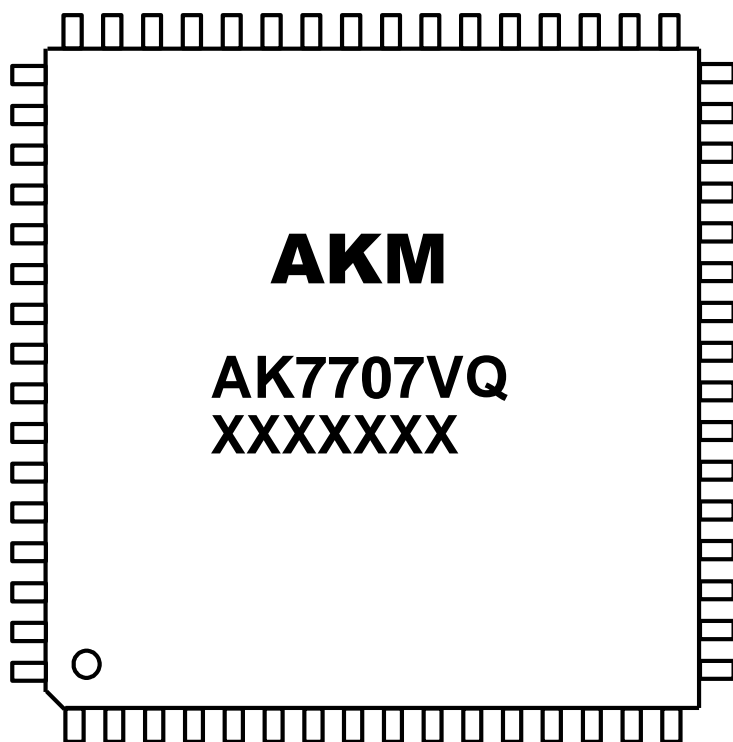
13. Package

■ Outline Dimensions
64-pin HTQFP (Unit: mm)



■ Material and Lead Finish

Package: Epoxy
Lead frame: Copper
Lead-finish: Soldering (Pb free) plate

■ **Marking**

- 1) pin #1 indication
- 2) Date Code: XXXXXXXX (7 digits)
- 3) Marking Code: AK7707VQ
- 4) Asahi Kasei Logo

14. Ordering Guide■ **Ordering Guide**

AK7707VQ	-40 ~ +85°C	64-pin HTQFP (0.5mm pitch)
AKD7707	Evaluation board for AK7707	

IMPORTANT NOTICE

0. Asahi Kasei Microdevices Corporation (“AKM”) reserves the right to make changes to the information contained in this document without notice. When you consider any use or application of AKM product stipulated in this document (“Product”), please make inquiries the sales office of AKM or authorized distributors as to current status of the Products.
1. All information included in this document are provided only to illustrate the operation and application examples of AKM Products. AKM neither makes warranties or representations with respect to the accuracy or completeness of the information contained in this document nor grants any license to any intellectual property rights or any other rights of AKM or any third party with respect to the information in this document. You are fully responsible for use of such information contained in this document in your product design or applications. **AKM ASSUMES NO LIABILITY FOR ANY LOSSES INCURRED BY YOU OR THIRD PARTIES ARISING FROM THE USE OF SUCH INFORMATION IN YOUR PRODUCT DESIGN OR APPLICATIONS.**
2. The Product is neither intended nor warranted for use in equipment or systems that require extraordinarily high levels of quality and/or reliability and/or a malfunction or failure of which may cause loss of human life, bodily injury, serious property damage or serious public impact, including but not limited to, equipment used in nuclear facilities, equipment used in the aerospace industry, medical equipment, equipment used for automobiles, trains, ships and other transportation, traffic signaling equipment, equipment used to control combustions or explosions, safety devices, elevators and escalators, devices related to electric power, and equipment used in finance-related fields. Do not use Product for the above use unless specifically agreed by AKM in writing.
3. Though AKM works continually to improve the Product's quality and reliability, you are responsible for complying with safety standards and for providing adequate designs and safeguards for your hardware, software and systems which minimize risk and avoid situations in which a malfunction or failure of the Product could cause loss of human life, bodily injury or damage to property, including data loss or corruption.
4. Do not use or otherwise make available the Product or related technology or any information contained in this document for any military purposes, including without limitation, for the design, development, use, stockpiling or manufacturing of nuclear, chemical, or biological weapons or missile technology products (mass destruction weapons). When exporting the Products or related technology or any information contained in this document, you should comply with the applicable export control laws and regulations and follow the procedures required by such laws and regulations. The Products and related technology may not be used for or incorporated into any products or systems whose manufacture, use, or sale is prohibited under any applicable domestic or foreign laws or regulations.
5. Please contact AKM sales representative for details as to environmental matters such as the RoHS compatibility of the Product. Please use the Product in compliance with all applicable laws and regulations that regulate the inclusion or use of controlled substances, including without limitation, the EU RoHS Directive. AKM assumes no liability for damages or losses occurring as a result of noncompliance with applicable laws and regulations.
6. Resale of the Product with provisions different from the statement and/or technical features set forth in this document shall immediately void any warranty granted by AKM for the Product and shall not create or extend in any manner whatsoever, any liability of AKM.
7. This document may not be reproduced or duplicated, in any form, in whole or in part, without prior written consent of AKM.

Thank you for your access to AKM products information.
More detail product information is available, please contact our
sales office or authorized distributors.