

**AK7722****24bit 4ch ADC + 24bit 4ch DAC with Audio DSP****GENERAL DESCRIPTION**

The AK7722 is a digital signal processor with an integrated 4ch 24bit DAC, a stereo ADC with input selector and a 2ch input ADC. The integrated 4ch DAC, the 2ch ADC with input selector and the other 2ch ADC feature high performance achieving 108dB, 96dB and 95dB, respectively. The integrated SRC has three input selector enabling the DSP to operate in master mode with digital inputs. The audio DSP has 1536step/fs (at 48kHz sampling) parallel arithmetic operation performance and the 5k-word delay RAM allows surround processing and time alignment adjusting. As the AK7722 is a RAM based DSP, it is programmable for various user requirements. It is housed in an 80pin LQFP package.

**FEATURES****[DSP Block]**

- Word length: 24bit (Coefficient RAM & Data RAM: F24 floating point)
- Processing Speed: 13.6 ns (1536step/fs; fs = 48kHz)
- Multiplication: 20 x 24 → 44-bit Double precision arithmetic available
- Divider 20 / 20 → 20bit
- ALU: 48bit arithmetic operation (overflow margin 4bit) 20bit floating point arithmetic and logic operation
- Program RAM: 3072 x 36bit
- Coefficient RAM: 2048 x 24bit (F24 floating point)
- Data RAM: 2048 x 24-bit (F24 floating point)
- Offset Register: 64 x 13bit
- Delay RAM1: 3072 x 24-bit
- Delay RAM2: 2048 x 24-bit
- Sampling rate: fs= 7.35k ~ 48kHz
- Master Clock: 1536fs  
(generated from 32fs, 48fs, 64fs, 128fs, 256fs, 384fs by internal PLL)
- Master/Slave Operation

**[ADC1 Block]**

- Stereo with 6 Inputs Selector
- DR, S/N: 96dB (fs = 48kHz, when differential input)
- S/(N+D): 90dB (fs = 48kHz)
- Differential & Single-ended Inputs
- Digital HPF (fc=1Hz)
- 6 Analog Inputs Selector (2 differential, 4 single-ended)
- Digital Volume Control (24dB ~ -103dB, 0.5dB Step, Mute)

**[ADC2 Block]**

- DR, S/N: 95dB (fs = 48kHz)
- Single-ended Inputs
- Digital Volume Control (24dB ~ -103dB, 0.5dB Step, Mute)

**[SRC Block]**

- 3 Pair of Stereo → 1 Stereo Pair Selector
- 2ch x 1 system
- Supporting frequency: Fin = 7.35kHz ~ 96kHz → Fout = 7.35kHz ~ 48kHz  
(FSO/FSI = 0.167~ 6.0)

**[Guidance SRC Block] (GSRC)**

- 1 Channel (24bit) Up-converter for Voice Guidance
- Supporting frequency:  $F_{in} = 7.35\text{kHz} \sim 12\text{kHz} \rightarrow F_{out} = 44.1\text{kHz}$  or  $48\text{kHz}$

**[DAC Block]**

- 4ch (2 Stereos)
- 24bit 128 x Over-sampling advanced multi-bit (fs=8kHz~48kHz)
- DR, S/N: 108dB (Differential Output)
- S/(N+D): 90dB
- Digital Volume Control (12dB ~ -115dB, 0.5dB Step, Mute)

**[Digital Interface Input/Output]**

- Digital Signal Input Port (4ch):  
24bit MSB justified, 24/20/16bit LSB justified and I<sup>2</sup>S Format
- Digital Signal Output Port (6ch):  
24bit MSB justified, 24/16bit LSB justified and I<sup>2</sup>S Format

**[Micro Computer Interface]**

- I<sup>2</sup>C or 4-wired Interface

**[General]**

- Integrated PLL
- Integrated Regulator 3.3V  $\rightarrow$  1.8V
- Power Supply: 3.3V  $\pm$  0.3V
- Operating Temperature Range: -40°C ~ 85°C
- 80pin LQFP

■ Block Diagram

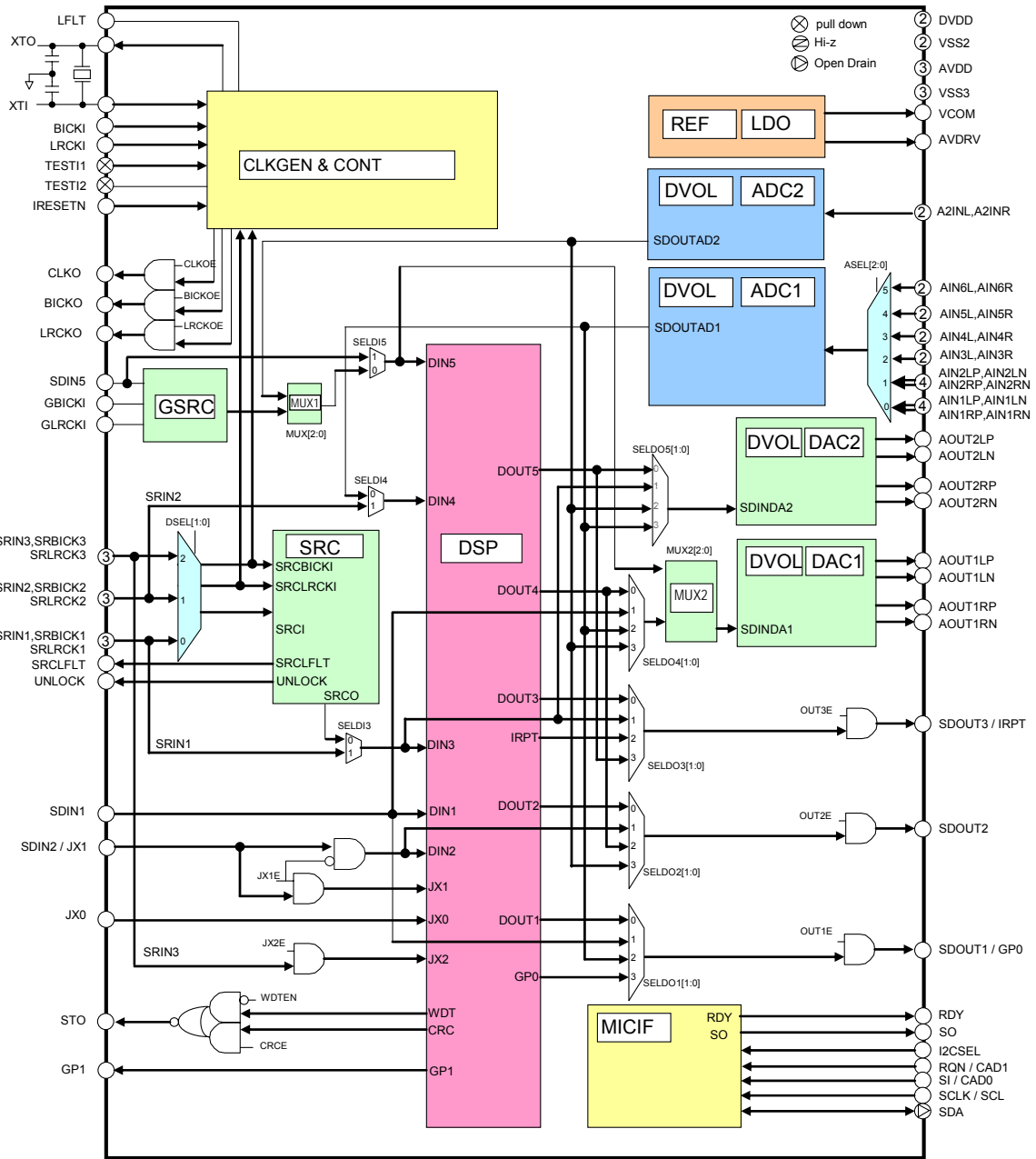


Figure 1. Block Diagram

\* Figure 1 shows a simplified diagram of the AK7722, which is not the perfect same as the actual circuit diagram.

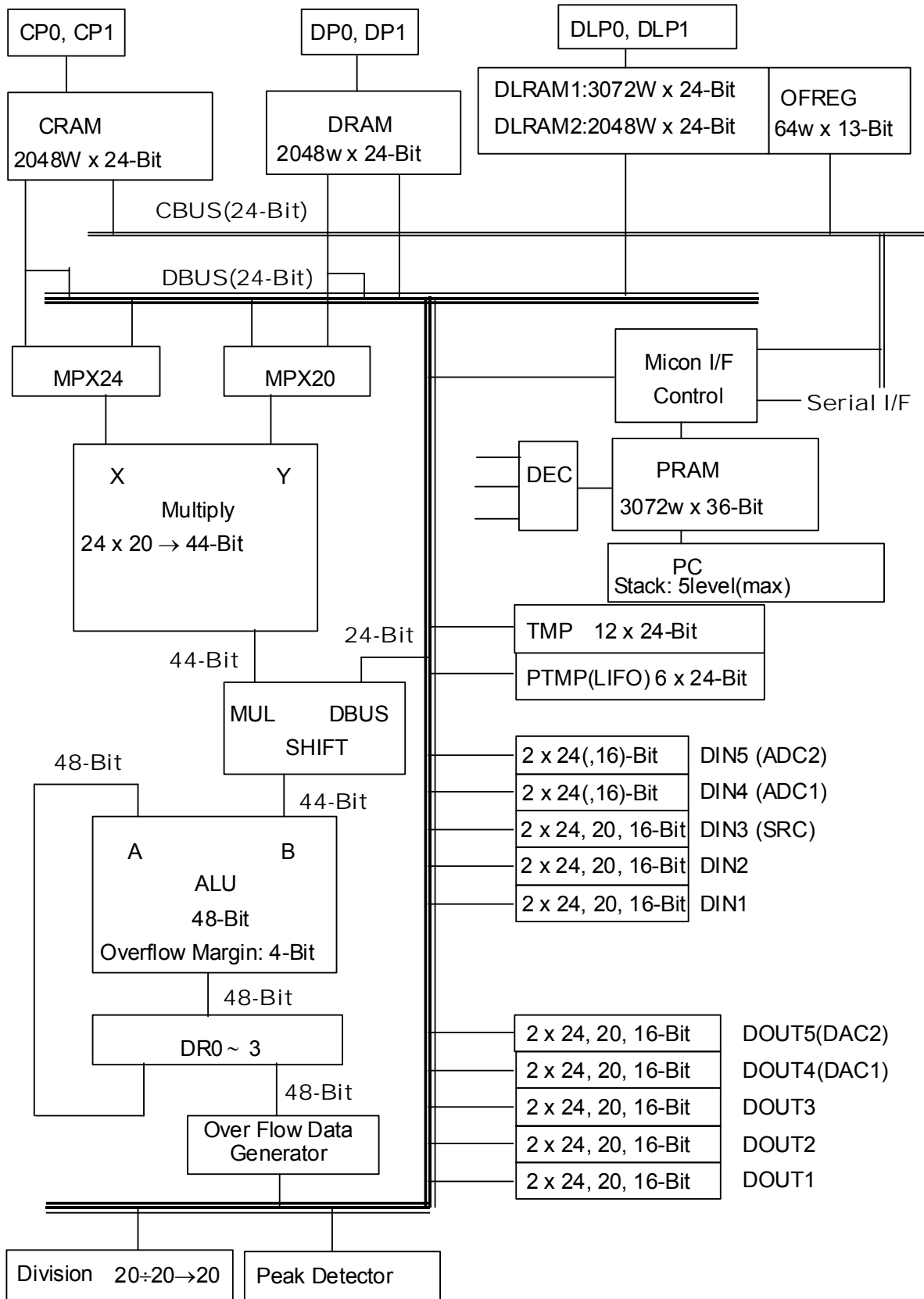


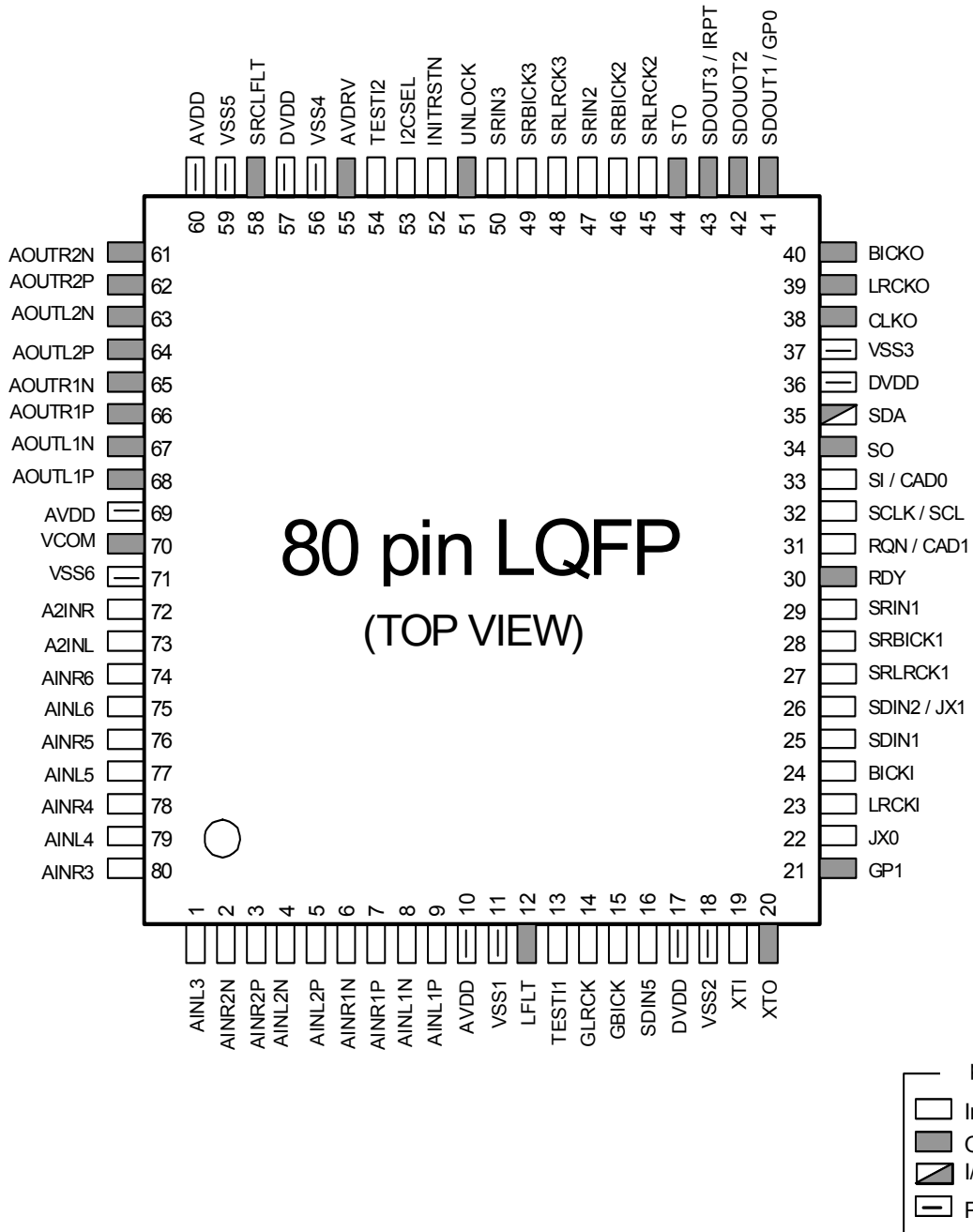
Figure 2. Main DSP Block Diagram of the AK7722

■ Ordering Guide

AK7722VQ  
AKD7722

-40 ~ +85°C      80pin LQFP  
Evaluation Board for AK7722

■ Pin Layout



## PIN FUNCTION

No.	Name	I/O	Function	Classification
1	AINL3	I	ADC1 Lch Single-ended Input 3 Pin.	Analog Input
2	AINR2N	I	ADC1 Inverted Rch Differential Input 2 Pin	Analog Input
3	AINR2P	I	ADC1 Non-inverted Rch Differential Input 2 Pin	Analog Input
4	AINL2N	I	ADC1 Inverted Lch Differential Input 2 Pin	Analog Input
5	AINL2P	I	ADC1 Non-inverted Lch Differential Input 2 Pin	Analog Input
6	AINR1N	I	ADC1 Inverted Rch Differential Input 1 Pin	Analog Input
7	AINR1P	I	ADC1 Non-inverted Rch Differential Input 1 Pin	Analog Input
8	AINL1N	I	ADC1 Inverted Lch Differential Input 1 Pin	Analog Input
9	AINL1P	I	ADC1 Non-inverted Lch Differential Input 1 Pin	Analog Input
10	AVDD	-	Analog Power Supply Pin 3.0 ~ 3.6V	Power Supply
11	VSS1	-	Analog Ground Pin 0V	Power Supply
12	LFLT	O	R and C Component Connect Pin for PLL Refer to “7. LFLT Pin External Connection”. This pin outputs “L” during initial reset.	Analog Output
13	TEST11	I	Test 1 Pin (Internal pull-down) This pin must be connected to VSS.	Test
14	GLRCKI	I	Frame Clock Input Pin for Voice Guidance	Digital Input
15	GBICKI	I	Bit Clock Input Pin for Voice Guidance	Digital Input
16	SDIN5	I	Serial Audio Input Pin for Voice Guidance	Digital Input
17	DVDD	-	Digital Power Supply Pin 3.0~3.6V	Power Supply
18	VSS2	-	Ground Pin 0V	Power Supply
19	XTI	I	Crystal oscillator input pin Connect a crystal oscillator between this pin and the XTO pin, or input an external clock to the XTI pin.	Clock
20	XTO	O	Crystal Oscillator Output Pin When a crystal oscillator is used, connect it between XTI and XTO. When an external clock is used, leave this pin open. During initial reset, the output of this pin is not determinable.	Clock
21	GP1	O	Programmable Bit Output Pin This pin outputs “L” during initial reset.	Digital Output
22	JX0	I	Conditional Jump Pin0 The conditional jump pin (JX0) is valid by setting control register (JX0E) to “1”.	Conditional Input
23	LRCKI	I	LR Channel Select Clock Pin 1 LR clock should be input to this pin in slave mode.	System Clock Input
24	BICKI	I	Serial Bit Clock Input Pin 1 BITCLOCK (48fs or 64fs) should be input to this pin in slave mode.	System Clock Input
25	SDIN1	I	Serial Data Input 1 Pin	Digital Input
26	SDIN2	I	Serial Data Input 2 Pin	Digital Input
	JX1	I	Conditional Jump Pin1 The conditional jump pin (JX1) is valid by setting control register (JX1E) to “1”.	Conditional Input
27	SRLRCK1	I	LR Channel Select Clock Pin 1 (for SRC)	System Clock Input
28	SRBICK1	I	Serial Bit Clock Input Pin 1 (for SRC)	System Clock Input

No.	Name	I/O	Function	Classification
29	SRIN1	I	Serial Data Input Pin 1 (for SRC)	Digital Input
	SDIN3	I	Serial Data Input Pin 3	
30	RDY	O	Data Write Ready Output Pin for Microprocessor Interface This pin outputs RDY, and outputs "H" during initial reset.	Microprocessor
31	RQN	I	Microprocessor Interface Write Request Pin (I2CSEL pin = "L") When initial reset state and Microcomputer interface are not in use, leave RQN pin = "H".	Interface
	CAD1	I	I <sup>2</sup> C Bus Address Setting Pin 1 (I2CSEL pin = "H")	I <sup>2</sup> C
32	SCLK	I	Serial Data Clock Pin for Microprocessor Interface (I2CSEL pin = "L") When SCLK is not used, tie the SCLK pin = "H".	Microprocessor Interface
	SCL	I	I <sup>2</sup> C Bus Data Clock Pin (I2CSEL pin = "H")	I <sup>2</sup> C
33	SI	I	Serial Data Input Pin for Microprocessor Interface (I2CSEL pin = "L") When SI is not used, tie the SI pin = "L".	Microprocessor Interface
	CAD0	I	I <sup>2</sup> C Bus Address Setting Pin 0 (I2CSEL pin = "H")	I <sup>2</sup> C
34	SO	O	Serial Data Output Pin for Microprocessor Interface Outputs "L" during initial reset.	Microprocessor Interface
35	SDA	O	I2CSEL pin = "L" Leave this pin Open. SDA outputs "L".	Open
		I/O	I <sup>2</sup> C Bus Data Clock Pin (I2CSEL pin = "H") Outputs "Hi-z" during initial reset.	I <sup>2</sup> C
36	DVDD	-	Digital Power Supply Pin 3.0~3.6V	Power Supply
37	VSS3	-	Ground Pin 0V	Power Supply
38	CLKO	O	Clock Output Pin This pin outputs "L" during initial reset.	Clock Output
39	LRCKO	O	LR Channel Select Output Pin This pin outputs "L" during initial reset in master mode.	System Clock Output
40	BICKO	O	Serial Bit Clock Output Pin This pin outputs "L" during initial reset in master mode.	System Clock Output
41	SDOUT1	O	Serial Data Output1 Pin This pin outputs "L" during initial reset.	Digital Output
	GP0	O	Programmable Bit Output Pin	Digital Output
42	SDOUT2	O	Serial Data Output2 Pin This pin outputs "L" during initial reset.	Digital Output
43	SDOUT3	O	Serial Data Output3 Pin This pin outputs "L" during initial reset.	Digital Output
	IRPT	O	Interrupt Status Output Pin	Digital Output
44	STO	O	Status Output Pin This pin outputs "H" during initial reset.	Status
45	SRLRCK2	I	LR Channel Select Clock Pin 2 (for SRC)	System Clock Input
46	SRBICK2	I	Serial Bit Clock Input Pin 2 (for SRC)	System Clock Input
47	SRIN2	I	Serial Data Input Pin 2 (for SRC)	Digital Input
	SDIN4	I	Serial Data Input Pin 4	
48	SRLRCK3	I	LR Channel Select Clock Pin 3 (for SRC)	System Clock Input

No.	Name	I/O	Function	Classification
49	SRBICK3	I	Serial Bit Clock Input Pin 3 (for SRC)	System Clock Input
50	SRIN3	I	Serial Data Input Pin 3 (for SRC)	Digital Input
	JX2	I	Conditional Jump Pin2 The conditional jump pin (JX2) is valid by setting control register (JX2E) to "1".	Conditional Input
51	UNLOCK	O	SRC UNLOCK State Output Pin This pin outputs "H" during initial reset.	SRC Status
52	INITRSTN	I	Reset Pin (for Initialization) Use to initialize the AK7722. Set this pin to "L" when power-up the AK7722.	System
53	I2CSEL	I	I <sup>2</sup> C BUS Select Pin (Internal pull-down) I2CSEL pin = "L": 4-wired Interface I2CSEL pin = "H": I2C Bus selected mode. SCL and SDA are active. I2CSEL should be connected to "L" (VSS) or "H" (DVDD).	I <sup>2</sup> C Select
54	TESTI2	I	Test Input 2 Pin (Internal pull-down) This pin must be connected to VSS4.	Test
55	AVDRV	O	AVDRV Pin Connect a 1μF capacitor between this pin and VSS4 pin. No external circuits should be connected to this pin. This pin outputs "L" during initial reset.	Analog Output
56	VSS4	-	Ground Pin 0V	Power Supply
57	DVDD	-	Digital Power Supply Pin 3.0~3.6V	Power Supply
58	SRCLFLT	O	Capacitor Connect Pin for SRCPLL Connect a 1μF capacitor between this pin and VSS4 pin. This pin outputs "L" during initial reset.	Analog Output
59	VSS5	-	Ground Pin 0V	Power Supply
60	AVDD	-	Analog Power Supply Pin 3.0~3.6V	Power Supply
61	AOUTR2N	O	DAC2 Inverted Rch Differential Analog Output Pin "Hi-Z" output during initial reset	Analog Output
62	AOUTR2P	O	DAC2 Non-inverted Rch Differential Analog Output Pin "Hi-Z" output during initial reset	Analog Output
63	AOUTL2N	O	DAC2 Inverted Lch Differential Analog Output Pin "Hi-Z" output during initial reset	Analog Output
64	AOUTL2P	O	DAC2 Non-inverted Lch Differential Analog Output Pin "Hi-Z" output during initial reset	Analog Output
65	AOUTR1N	O	DAC1 Inverted Rch Differential Analog Output Pin "Hi-Z" output during initial reset	Analog Output
66	AOUTR1P	O	DAC1 Non-inverted Rch Differential Analog Output Pin "Hi-Z" output during initial reset	Analog Output
67	AOUTL1N	O	DAC1 Inverted Lch Differential Analog Output Pin "Hi-Z" output during initial reset	Analog Output
68	AOUTL1P	O	DAC1 Non-inverted Lch Differential Analog Output Pin "Hi-Z" output during initial reset	Analog Output
69	AVDD	-	Analog Power Supply Pin 3.0~3.6V	Power Supply
70	VCOM	O	Analog Common Voltage Output pin Connect 0.1μF and 2.2μF capacitors between this pin and the VSS6 pin. No external circuits should be connected to this pin. This pin outputs "L" during initial reset.	Analog Output



No.	Name	I/O	Function	Classification
71	VSS6	-	Ground Pin 0V	Power Supply
72	A2INR	I	ADC2 Rch Single-ended Input Pin	Analog Input
73	A2INL	I	ADC2 Lch Single-ended Input Pin	Analog Input
74	AINR6	I	ADC1 Rch Single-ended Input Pin 6	Analog Input
75	AINL6	I	ADC1 Lch Single-ended Input Pin 6	Analog Input
76	AINR5	I	ADC1 Rch Single-ended Input Pin 5	Analog Input
77	AINL5	I	ADC1 Lch Single-ended Input Pin 5	Analog Input
78	AINR4	I	ADC1 Rch Single-ended Input Pin 4	Analog Input
79	AINL4	I	ADC1 Lch Single-ended Input Pin 4	Analog Input
80	AINR3	I	ADC1 Rch Single-ended Input Pin 3	Analog Input

### ■ Handling of Unused Pin

The following table illustrates recommended states for open pins:

Classification	Pin Name	Setting
Analog	ANL1P, AINL1N, AINR1P, AINR1N, AINL2P, AINL2N, AINR2P, AINR2N, AINL3, AINR3, AINL4, AINR4, AINL5, AINR5, AINL6, AINR6 AOUTL1P, AOUTL1N, AOUTR1P, AOUTR1N AOUTL2P, AOUTL2N, AOUTR2P, AOUTR2N	Leave Open
Digital	XTO, GP1, RDY, SO, SDA(I2CSEL=“L”), CLKO, LRCKO, BICKO, SDOUT1, SDOUT2, SDOUT3, STO, UNLOCK	Leave Open
	TESTI1, GLRCK, GBICK, SDIN5, XTI, JX0, LRCKI, BICKI, SDIN1, SDIN2, SRLRCK1, SRBICK1, SRIN1, RQN, SI, SRLRCK2, SRBICK2, SRIN2, SRLRCK3, SRBICK3, SRIN3, TESTI2	Connect to VSS

The relationship between the I2CSEL pin and SDA pin

	I2CSEL	INTRSTN	SDA
Micro controller Interface	L	L	L
	L	H	L
I <sup>2</sup> C-bus support	H	L	“Hi-Z”
	H	H	function

<b>ABSOLUTE MAXIMUM RATINGS</b>
---------------------------------

(VSS1~VSS6=0V: [Note 1](#))

Parameter	Symbol	min	max	Unit
Power Supply Voltage				
Analog	AVDD	-0.3	4.3	V
Digital	DVDD	-0.3	4.3	V
Input Current (except for power supply pin )	IIN	–	±10	mA
Analog Input Voltage	VINA	-0.3	AVDD+0.3	V
Digital Input Voltage	VIND	-0.3	DVDD+0.3	V
Operating Ambient Temperature	Ta	-40	85	°C
Storage Temperature	Tstg	-65	150	°C

Note 1. All indicated voltages are with respect to ground.

Note 2. VSS1-6 must be connected to the same ground plane.

WARNING: Operation at or beyond these limits may result in permanent damage to the device.  
Normal operation is not guaranteed at these extremes.

<b>RECOMMENDED OPERATING CONDITIONS</b>
-----------------------------------------

(VSS1~VSS6=0V: [Note 1](#))

Parameter	Symbol	min	typ	max	Unit
Power Supply Voltage					
Analog	AVDD	3.0	3.3	3.6	V
Digital	DVDD	3.0	3.3	3.6	V

Note 3. The power supply sequence for AVDD and DVDD is not critical but all power supplies must be On before start operating the AK7722.

Note 4. Do not turn off the power supply of the AK7722 with the power supply of the surrounding device turned on.  
DVDD must not exceed the pull-up of SDA and SCL of I2C BUS. (The diode exists for DVDD in the SDA and SCL pins.)

WARNING: AKM assumes no responsibility for the usage beyond the conditions in the datasheet.

<b>ANALOG CHARACTERISTICS (CODEC)</b>
---------------------------------------

## ■ ADC Characteristics

### 1. ADC1

(Ta=25°C; AVDD=DVDD=3.3V, BITCLK=64fs; Signal frequency 1kHz; Measurement frequency = 20Hz~20kHz @fs=48kHz; CKM mode0 (CKM[2:0]=000); BITFS[1:0]=00(64fs); with Differential Input; in SRC reset, Unless otherwise specified.)

Parameter		min	typ	max	Unit	
ADC Section	Resolution			24	Bits	
	<b>Dynamic Characteristics</b>					
	S/(N+D) (-1dBFS)		82	90		dB
	Dynamic Range (A-weighted) (Note 5)		88	96		dB
	S/N (A-weighted)		88	96		dB
	Inter-Channel Isolation (fin=1kHz) (Note 6)		90	110		dB
	<b>DC accuracy</b>					
	Channel Gain Mismatch			0.0	0.3	dB
	<b>Analog Input</b>					
	Input Voltage (Differential) (Note 7)		±2.00	±2.20	±2.40	Vp-p
	Input Voltage (Single-ended) (Note 8)		2.00	2.20	2.40	Vp-p
	Input Impedance		41	62		kΩ

Note 5. S/(N+D) when -60dB FS signal is applied.

Note 6. Inter-channel isolation between AINR and AINL with -1dB FS signal input.

Note 7. AINL1P, AINL1N, AINR1P, AINR1N, AINL2P, AINL2N, AINR2P and AINR2N pins

Note 8. AINL3, AINR3, AINL4, AINR4, AINL5, AINR5, AINL6 and AINR6 pins.

Full scale output voltage is FS=AVDD×2.2/3.3.

### 2. ADC2

(Ta=25°C; AVDD=DVDD=3.3V, BITCLK=64fs; Signal frequency 1kHz; Measurement frequency =20Hz~20kHz @fs=48kHz; CKM mode0 (CKM[2:0]=000); BITFS[1:0]=00(64fs); in SRC reset, Unless otherwise specified.)

Parameter		min	typ	max	Unit	
ADC Section	Resolution			24	Bits	
	<b>Dynamic Characteristics</b>					
	S/(N+D) (-1dBFS)		80	88		dB
	Dynamic Range (A-weighted) (Note 9)		87	95		dB
	S/N (A-weighted)		87	95		dB
	Inter-Channel Isolation (fin=1kHz) (Note 10)		90	110		dB
	<b>DC accuracy</b>					
	Channel Gain Mismatch			0.1	0.3	dB
	<b>Analog Input</b>					
	Input Voltage (Note 11)		2.00	2.20	2.40	Vp-p
	Input Impedance		41	62		kΩ

Note 9. S/(N+D) when -60dB FS signal is applied.

Note 10. Inter-channel isolation between AINR and AINL with -1dB FS signal input.

Note 11. Full scale output voltage is FS=AVDD×2.2/3.3.

## ■ DAC1/2 Characteristics

(Ta=25°C; AVDD=DVDD=3.3V; VSS1~VSS6=0V; Signal frequency 1kHz; Measurement frequency =20Hz~20kHz @fs=48kHz; CKM[2:0]=000, BITFS[1:0]=00, in SRC Reset) Unless otherwise specified.)

Parameter	min	typ	max	Unit
DAC1 DAC2	Resolution		24	Bits
<b>Dynamic Characteristics</b>				
S/(N+D) (0 dBFS)	82	90		dB
Dynamic Range (A-weighted) (Note 12)	98	108		dB
S/N (A-weighted)	98	108		dB
Inter-channel Isolation (f=1kHz) (Note 13)	90	110		dB
<b>DC accuracy</b>				
Channel Gain Mismatch		0.0	0.5	dB
<b>Analog output</b>				
Output Voltage (Note 14)	3.78	4.16	4.53	Vp-p
Load Resistance	5			kΩ
Load Capacitance			30	pF

Note 12. S/(N+D) when -60dBFS signal is applied.

Note 13. Indicates isolation between each DAC's of Lch and Rch when -1dBFS signal is applied.

Note 14. Full scale differential output voltage.

## SRC CHARACTERISTICS

(Ta=25°C; AVDD = DVDD=3.3V; VSS1~VSS6=0V, data = 24bit; measurement bandwidth = 20Hz~ FSO/2; unless otherwise specified.)

Parameter	Symbol	min	typ	max	Unit
Resolution				24	Bits
Input Sample Rate	FSI	7.35		96	kHz
Output Sample Rate	FSO	7.35		48	kHz
THD+N (Input= 1kHz, 0dBFS)					
FSO/FSI=44.1kHz/48kHz			-112		dB
FSO/FSI=44.1kHz/96kHz			-104		dB
FSO/FSI=48kHz/44.1kHz			-112		dB
FSO/FSI=48kHz/96kHz			-112		dB
FSO/FSI=48kHz/8kHz			-111	-103	dB
FSO/FSI=8kHz/48kHz			-113		dB
FSO/FSI=8kHz/44.1kHz			-100		dB
Dynamic Range (Input= 1kHz, -60dBFS)					
FSO/FSI=44.1kHz/48kHz			113		dB
FSO/FSI=44.1kHz/96kHz			113		dB
FSO/FSI=48kHz/44.1kHz			113		dB
FSO/FSI=48kHz/96kHz			113		dB
FSO/FSI=48kHz/8kHz		109	112		dB
FSO/FSI=8kHz/48kHz			113		dB
FSO/FSI=8kHz/44.1kHz			113		dB
Dynamic Range (Input= 1kHz, -60dBFS, A-weighted)					
FSO/FSI=44.1kHz/48kHz			115		dB
Ratio between Input and Output Sample Rate	FSO/FSI	0.167		6	-

<b>DC CHARACTERISTICS</b>
---------------------------

(Ta=-40°C~85°C; AVDD=DVDD=3.0~3.6V)

Parameter	Symbol	min	typ	max	Unit
High Level Input Voltage (Note 15)	VIH	80%DVDD			V
Low Level Input Voltage (Note 15)	VIL			20%DVDD	V
SCL,SDA High Level Input Voltage	VIH	70%DVDD			V
SCL,SDA Low Level Input Voltage	VIL			30%DVDD	V
High Level Output Voltage Iout=-100μA	VOH	DVDD-0.5			V
Low Level Output Voltage Iout=100μA (Note 16)	VOL			0.5	V
SDA Low Level Output Voltage Iout=3mA	VOL			0.4	V
Input Leak Current (Note 17)	Iin			±10	μA
Input Leak Current (pull-down pin) (Note 18)	Iid		22		μA
Input Leak Current (XTI pin)	Iix		26		μA

Note 15. SCL and SDA pins are not included. (SCLK pins are included)

Note 16. The SDA pin is not included.

Note 17. Pull-down pins, and the XTI pin is not included.

Note 18. TESTI1 and TESTI2 pins are internal pulled-down pin. (Typ150kΩ)

<b>POWER CONSUMPTION</b>
--------------------------

(Ta=25°C; AVDD=DVDD=3.0~3.6V (when typ=3.3V, max=3.6V))

Parameter	min	typ	max	Unit
<b>Power Supply Current</b> (Note 19)				
AVDD		55		mA
DVDD		65		mA
AVDD+DVDD		120	180	mA
INISTRSTN pin= "L" (reference) (Note 20)		2		mA

Note 19. The current of DVDD changes depending on the system frequency and contents of the DSP program.

Note 20. This is a reference value when using a crystal oscillator. Since most of the current are applied to the oscillator section in the initial reset state, the value may vary according to the crystal type and the external circuit. This is a "reference data" only.

<b>DIGITAL FILTER CHARACTERISTICS</b>
---------------------------------------

### ■ ADC Block (ADC1/2)

#### 1. fs=48kHz

(Ta=-40°C ~85°C, AVDD=DVDD=3.0~3.6V, fs=48kHz, [Note 21](#))

Parameter	Symbol	min	typ	max	Unit
Passband (±0.1dB) ( <a href="#">Note 22</a> ) (-1.0dB) (-3.0dB)	PB	0		18.9	kHz
				20.0	kHz
				23.0	kHz
Stopband	SB	28			kHz
Passband Ripple ( <a href="#">Note 22</a> )	PR			±0.04	dB
Stopband Attenuation ( <a href="#">Note 23</a> , <a href="#">Note 24</a> )	SA	68			dB
Group Delay Distortion	ΔGD		0		μs
Group Delay (Ts=1/fs)	GD		16		Ts

Note 21. The passband and stopband frequencies are proportional to fs (system sampling rate). High-pass filter characteristics are not included.

Note 22. The passband is from DC to 18.9kHz when fs=48kHz.

Note 23. The stopband is 28kHz to 3.044MHz when fs=48kHz.

Note 24. When fs = 48kHz, the analog modulator samples the input signal at 512kHz. There is no attenuation of an input signal in band ( $n \times 3.072\text{MHz} \pm 28\text{kHz}$ ;  $n=0, 1, 2, 3, \dots$ ) of integer times of the sampling frequency by the digital filter.

### ■ DAC1-2

(Ta=-40 °C ~85 °C; AVDD=DVDD=3.0~3.6V; fs=48kHz)

Parameter	Symbol	min	typ	max	Unit
Passband (±0.05dB) ( <a href="#">Note 25</a> ) (-6.0dB)	PB	0		21.7	kHz
				24	kHz
Stopband ( <a href="#">Note 25</a> )	SB	26.2			kHz
Passband Ripple	PR			±0.01	dB
Stopband Attenuation	SA	64			dB
Group Delay (Ts=1/fs) ( <a href="#">Note 26</a> )	GD		24		Ts
<b>Digital Filter + Analog Filter</b>					
Amplitude Characteristics 20Hz~20.0kHz			±0.5		dB

Note 25. The pass band and stop band frequencies are proportional to “fs” (system sampling rate), and represents  $PB=0.4535fs$  (@±0.05dB) and  $SB=0.5465fs$ , respectively.

Note 26. The digital filter delay is calculated as the time from setting data into the input register until an analog signal is output.

## ■ SRC

(Ta=-40°C ~85°C; AVDD=DVDD=3.0~3.6V)

Parameter		Symbol	min	typ	max	Unit
Passband	$0.980 \leq \text{FSO/FSI} \leq 6.000$	PB	0		$0.4583\text{FSI}$	kHz
	$0.900 \leq \text{FSO/FSI} < 0.990$	PB	0		$0.4167\text{FSI}$	
	$0.450 \leq \text{FSO/FSI} < 0.910$	PB	0		$0.2177\text{FSI}$	
	$0.225 \leq \text{FSO/FSI} < 0.455$	PB	0		$0.0917\text{FSI}$	
	$0.167 \leq \text{FSO/FSI} < 0.227$	PB	0		$0.0917\text{FSI}$	
Stopband	$0.980 \leq \text{FSO/FSI} \leq 6.000$	SB	$0.5417\text{FSI}$			kHz
	$0.900 \leq \text{FSO/FSI} < 0.990$	SB	$0.5021\text{FSI}$			
	$0.450 \leq \text{FSO/FSI} < 0.910$	SB	$0.2813\text{FSI}$			
	$0.225 \leq \text{FSO/FSI} < 0.455$	SB	$0.1573\text{FSI}$			
	$0.167 \leq \text{FSO/FSI} < 0.227$	SB	$0.1354\text{FSI}$			
Passband Ripple	$0.225 \leq \text{FSO/FSI} < 0.455$	PR			$\pm 0.0100$	dB
	$0.167 \leq \text{FSO/FSI} < 0.227$	PR			$\pm 0.0612$	
Stopband Attenuation		SA	92.3			dB
Group Delay (Ts=1/fs)	(Note 27)	GD		56		Ts

Note 27. This delay is the a period from the rising edge of SRLRCKn, just after the data is input, to the rising edge of LRCLKO, just after the data is output, when there is no phase difference between SRLRCKn and LRCLKO.

<b>SWITCHING CHARACTERISTICS</b>
----------------------------------

■ System Clock

(Ta=-40°C~85°C; AVDD=DVDD=3.0~3.6V, VSS1~VSS6=0V)

Parameter	Symbol	min	typ	max	Unit
<b>XTI CKM[2:0]=000, 001, 010</b>					
<b>a) with a Crystal Oscillator:</b>					
CKM[2:0]=000 fs=44.1kHz fs=48kHz	fXTI	-	11.2896 12.288	-	MHz
CKM[2:0]=001 fs=44.1kHz fs=48kHz	fXTI	-	16.9344 18.432	-	MHz
<b>b) with an External Clock</b>					
Duty Cycle		40	50	60	%
CKM[2:0]=000, 010 fs=44.1kHz fs=48kHz	fXTI	11.0	11.2896 12.288	12.4	MHz
CKM[2:0]=001 fs=44.1kHz fs=48kHz	fXTI	16.5	16.9344 18.432	18.6	MHz
<b>LRCKI Frequency (Note 28)</b>	fs	7.35		48	kHz
<b>BICKI Frequency</b>					
High Level Width	tBCLKH	64			ns
Low Level Width	tBCLKL	64			ns
Frequency	fBCLK	0.23	3.072	3.1	MHz

Note 28. LRCKI frequency and sampling rate (fs) should be the same.

Note 29. When BICKI is the source of master clock, it should be synchronized to LRCKI and the frequency is stable.



### ■ SRC Input Clock

(Ta=-40°C~85°C; AVDD=DVDD=3.0~3.6V; VSS1~VSS6=0V)

Parameter	Symbol	min	typ	max	Unit
SRLRCKn Frequency	fs	7.35		96	kHz
SRBICKn Frequency					
Frequency	fBCLK	0.23	3.072	6.144	MHz
High Level Width	tBCLKH	32			ns
Low Level Width	tBCLKL	32			ns

### ■ GSRC Input Clock

(Ta=-40 °C ~85 °C; AVDD=DVDD=3.0~3.6V; VSS1~VSS6=0V)

Parameter	Symbol	min	typ	max	Unit
GLRCK Frequency	fs	7.35		12	kHz
GBICK Frequency					
Frequency	fBCLK	230	512	780	kHz
High Level Width	tBCLKH	100			ns
Low Level Width	tBCLKL	100			ns

### ■ Reset

(Ta=-40°C~85°C; AVDD=DVDD=3.0~3.6V)

Parameter	Symbol	min	typ	max	Unit
INIRSTN (Note 30)	tRST	600			ns

Note 30. It must be "L" when power-up the AK7722.

### ■ Audio Interface (SDIN1-2, SRIN1-3, SDOUT1-3)

(Ta=-40°C~85°C; AVDD=DVDD=3.0~3.6V, CL=20pF)

Parameter	Symbol	min	typ	max	Unit
<b>DSP Section Input SDIN1-2, SRIN1-3</b> (Note 31)					
Delay Time from BICKI “↑” to LRCKI (Note 32)	tBLRD	20			ns
Delay Time from LRCKI to BICKI “↑” (Note 32)	tLRBD	20			ns
Serial Data Input Latch Setup Time	tBSIDS	80			ns
Serial Data Input Latch Hold Time	tBSIDH	80			ns
<b>SRC Section Input SRIN1-3</b> (Note 33)					
Delay Time from SRBICK1-3 “↑” to SRLRCK1-3 (Note 34)	tBLRD	20			ns
Delay Time from SRLRCK1-3 to SRBICK1-3 “↑” (Note 34)	tLRBD	20			ns
Serial Data Input Latch Setup Time	tBSIDS	40			ns
Serial Data Input Latch Hold Time	tBSIDH	40			ns
<b>Output SDOUT1-3</b> (Note 31)					
BICKO Frequency	fBCLK		64		fs
BICKO Duty Factor			50		%
Delay Time from BICKO “↓” to LRCKO (Note 35)	tBLRD	-20		40	ns
Delay Time from LRCKI to Serial Data Output (Note 36)	tLRD			80	ns
Delay Time from BICKI to Serial Data Output (Note 33)	tBSOD			80	ns
Delay Time from LRCKO to Serial Data Output (Note 36)	tLRD			80	ns
Delay Time from BICKO to Serial Data Output (Note 33)	tBSOD			80	ns
SDINn → SDOUTn (n=1-2) (Note 37)					
Delay Time from SDINn to SDOUTn Data Output	tIOD			60	ns

Note 31. BICKI=SRBICKn (n=1, 2, 3) in CKM mode 4.

Note 32. BICKI edge must not occur at the same time as LRCKI edge. The BICKI polarity is inverted in PCM mode 0/2.

Note 33. Except CKM mode 4

Note 34. SRBICK1-3 edge must not occur at the same time as SRLRCK1-3 edge. When BIEDGE bit= “1”, this value is for SRBICK1-3 “↓” since SRBICK1-3 are polarity reversal.

Note 35. When SELBCK bit= “1”, this value is for BICKO “↑” since BICKO is polarity reversal.

Note 36. Except I<sup>2</sup>S.

Note 37. SDIN1 → SDOUT1: Control Register Setting, SELDO1[1:0]=1h, OUT1E bit= “1”

SDIN2/JX1 → SDOUT2: Control Register Setting, SELDO2[1:0]=1h, OUT2E bit= “1”

SRIN1/SDIN3 → SDOUT3: Control Register Setting, SELDI3 bit = “1”, SELDO3[1:0]=1h, OUT3E bit= “1”

## ■ Microprocessor Interface

(Ta=-40°C~85°C; AVDD=DVDD=3.0~3.6V; CL=20pF)

Parameter	Symbol	min	typ	max	Unit
<b>Microprocessor Interface Signal</b>					
RQN Fall Time	tWRF			30	ns
RQN Rise Time	tWRR			30	ns
SCLK Fall Time	tSF			30	ns
SCLK Rise Time	tSR			30	ns
SCLK Frequency	fSCLK			2.1	MHz
SCLK Low Level Width	tSCLKL	200			ns
SCLK High Level Width	tSCLKH	200			ns
<b>Microprocessor → AK7722</b>					
RQN High Level Width	tWRQH	500			ns
From RQN “↓” to SCLK “↓”	tWSC	500			ns
From SCLK “↑” to RQN “↑”	tSCW	800			ns
SI Latch Setup Time	tSIS	200			ns
SI Latch Hold Time	tSIH	200			ns
<b>AK7722 → Microprocessor</b>					
Delay Time from SCLK “↓” to SO Output	tSOS			200	ns
Hold Time from SCLK “↑” to SO Output (Note 38)	tSOH	200			ns

Note 38. Except for, when writing to 8th bit of command code.

## ■ I<sup>2</sup>C BUS Interface

(Ta=-40°C~85°C; AVDD=DVDD=3.0~3.6V)

Parameter	Symbol	min	typ	max	Unit
<b>I<sup>2</sup>C Timing</b>					
SCL clock frequency	fSCL			400	kHz
Bus Free Time Between Transmissions	tBUF	1.3			μs
Start Condition Hold Time (prior to first Clock pulse)	tHD:STA	0.6			μs
Clock Low Time	tLOW	1.3			μs
Clock High Time	tHIGH	0.6			μs
Setup Time for Repeated Start Condition	tSU:STA	0.6			μs
SDA Hold Time from SCL Falling	tHD:DAT	0		0.9	μs
SDA Setup Time from SCL Rising	tSU:DAT	0.1			μs
Rise Time of Both SDA and SCL Lines	tR			0.3	μs
Fall Time of Both SDA and SCL Lines	tF			0.3	μs
Setup Time for Stop Condition	tSU:STO	0.6			μs
Pulse Width of Spike Noise Suppressed by Input Filter	tSP	0		50	ns
Capacitive load on bus	Cb			400	pF

Note 39. I<sup>2</sup>C-bus is a trademark of NXP B.V.

■ Timing Diagram

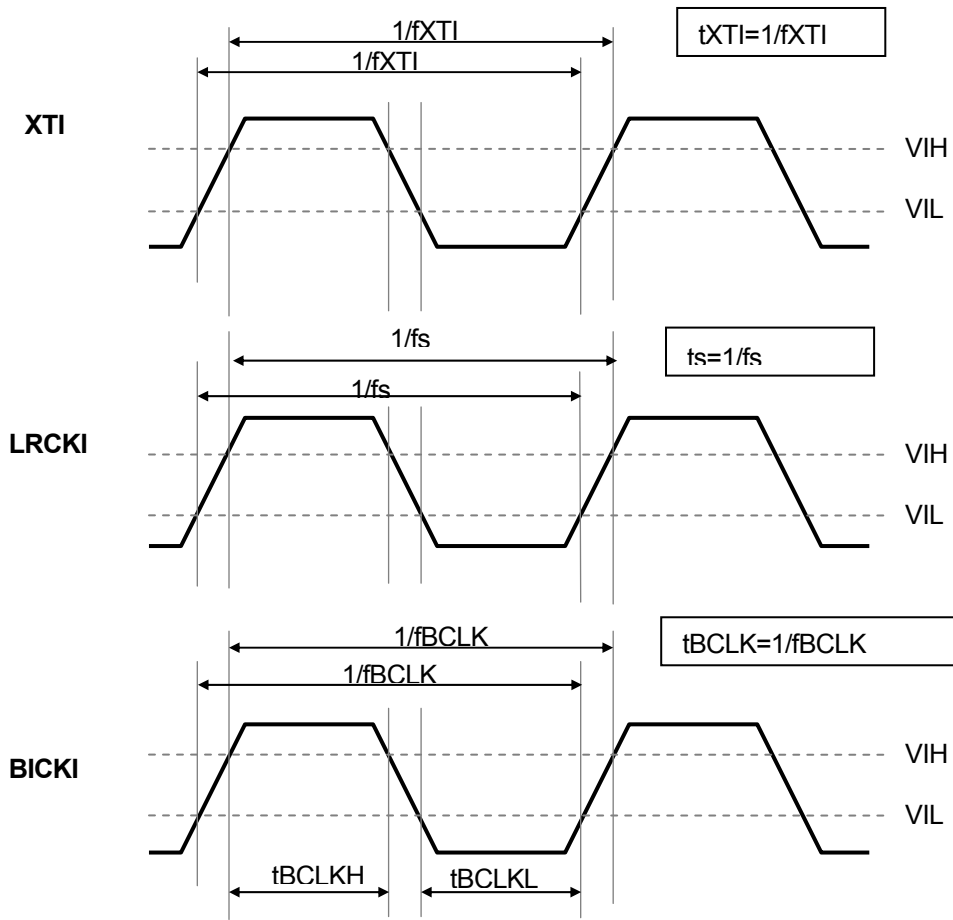


Figure 3. System Clock

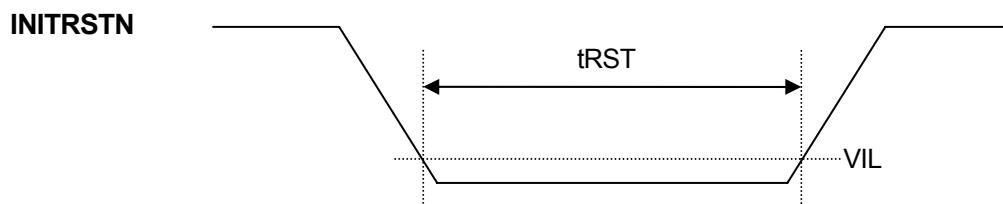


Figure 4. Reset

Note 40. The INTRSTN pin must be “L” when power-up/power-down the AK7722.

1) Audio Interface

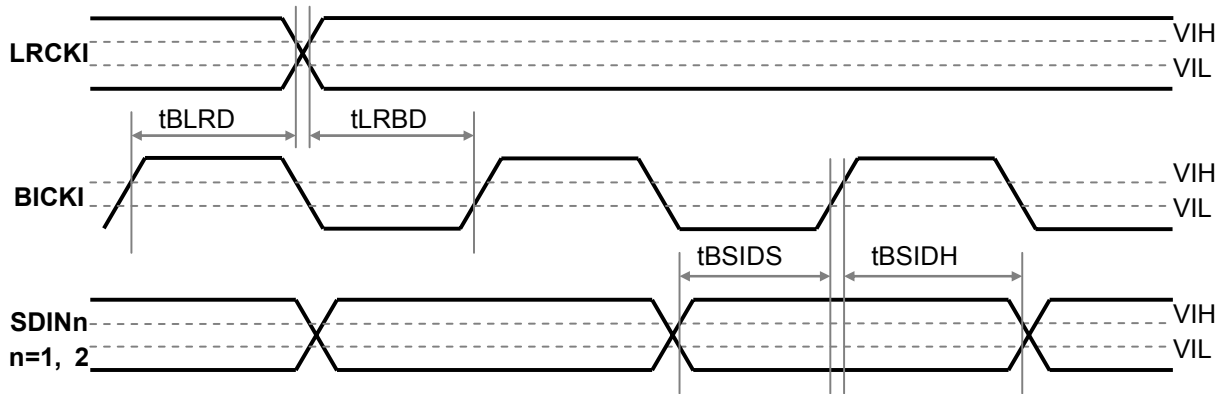


Figure 5. DSP Block Input Interface in Slave Mode

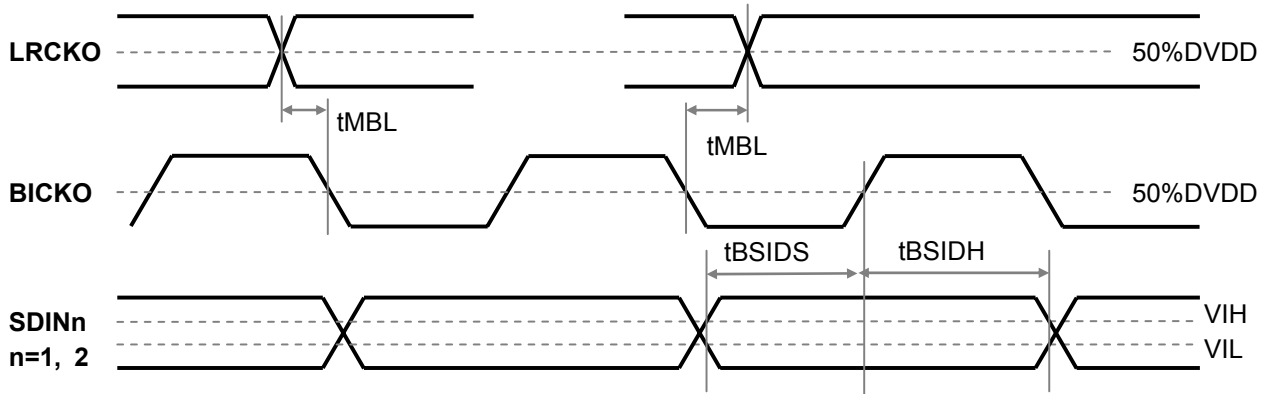


Figure 6. DSP Block Input Interface in Master Mode

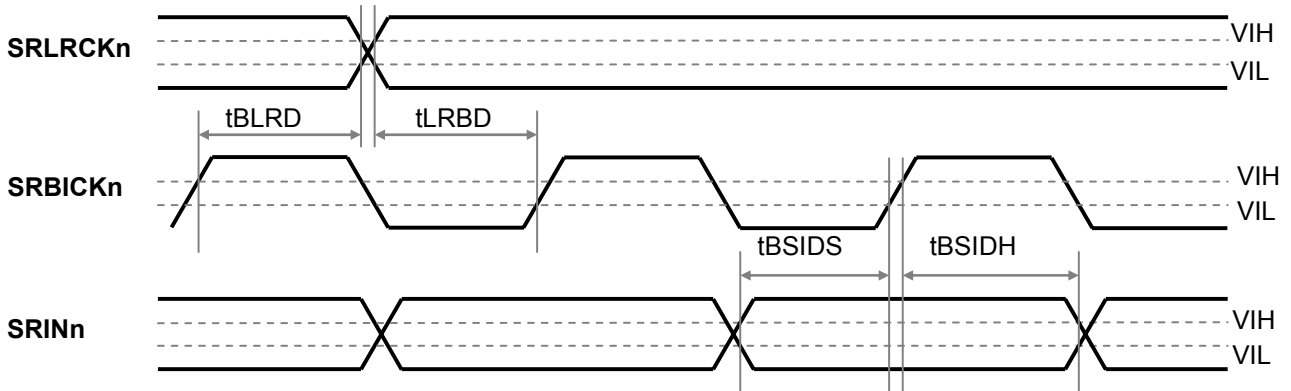


Figure 7. SRC Block Input Interface

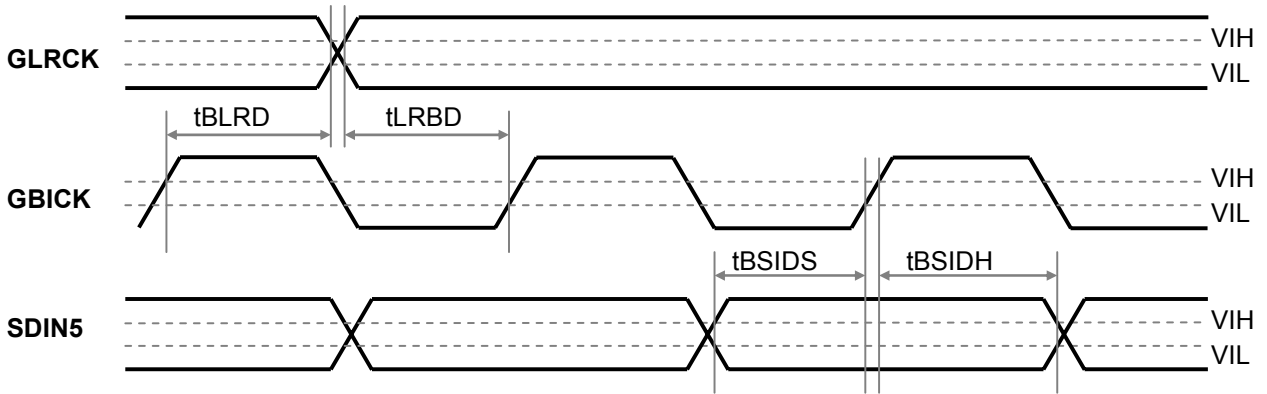


Figure 8. GSRC Block Input Interface

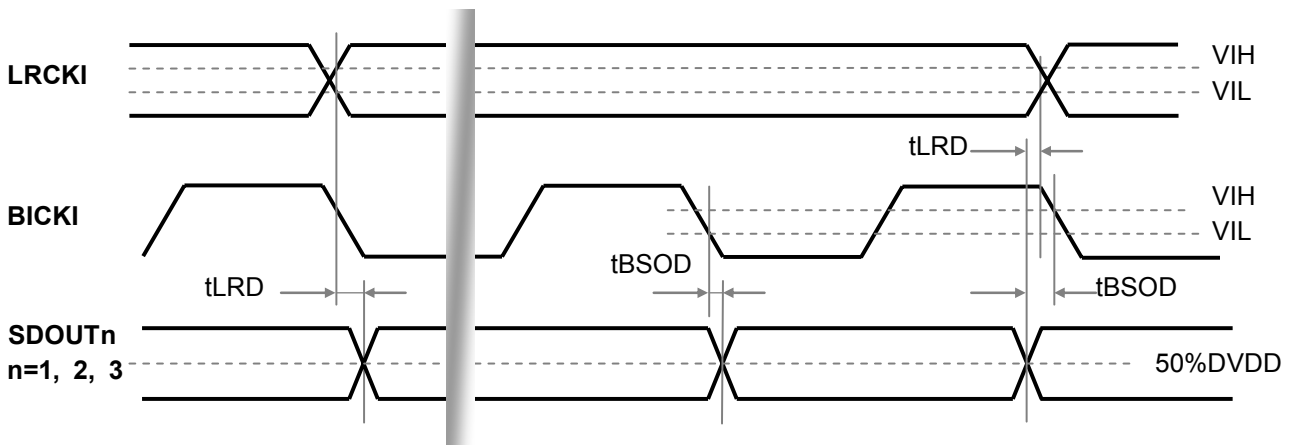


Figure 9. Output Interface in Slave Mode

2) Micro-controller Interface

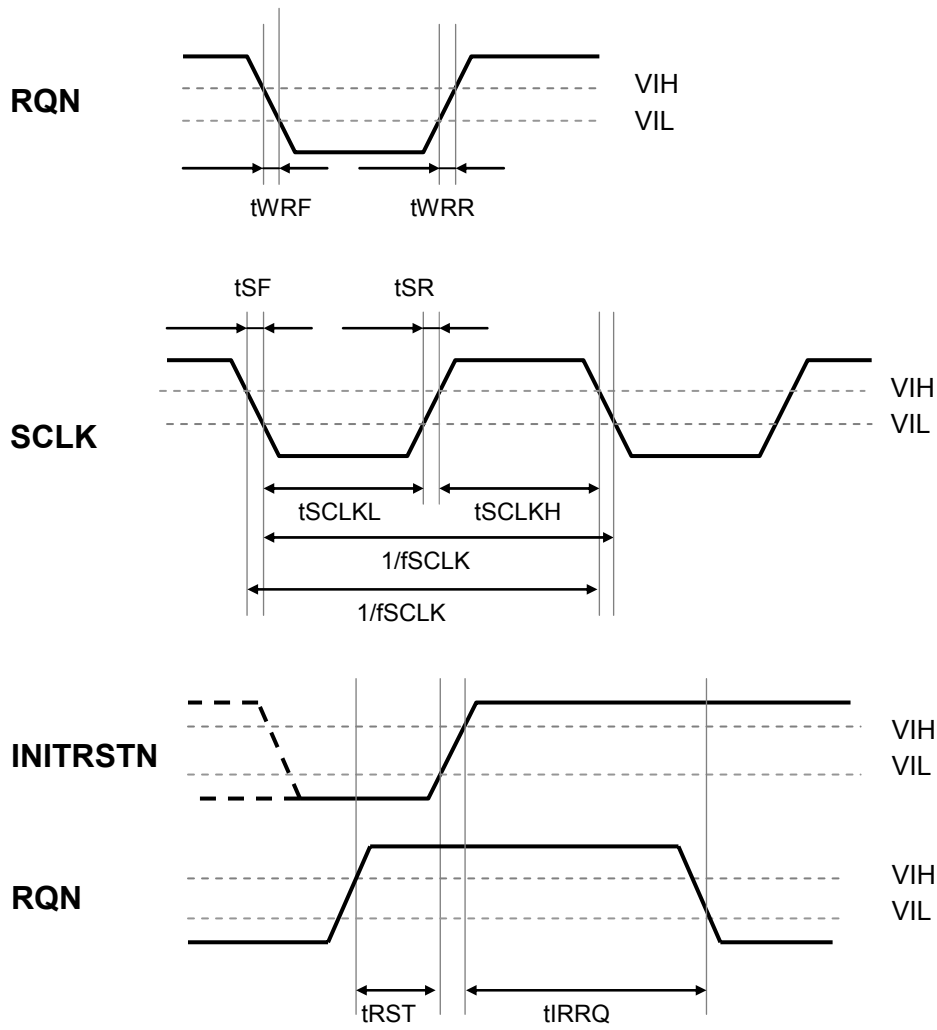


Figure 10. Micro-controller Interface Signal

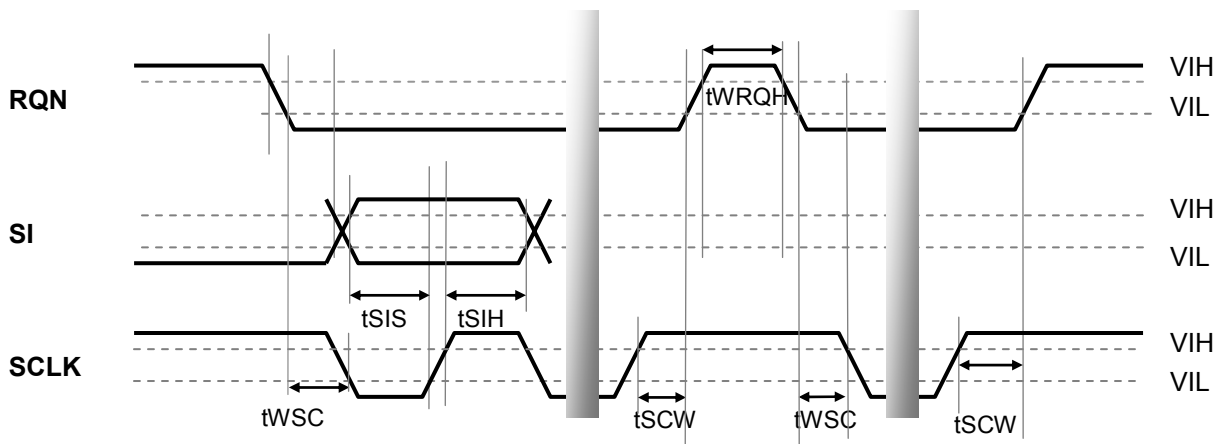


Figure 11. Micro-controller → AK7722

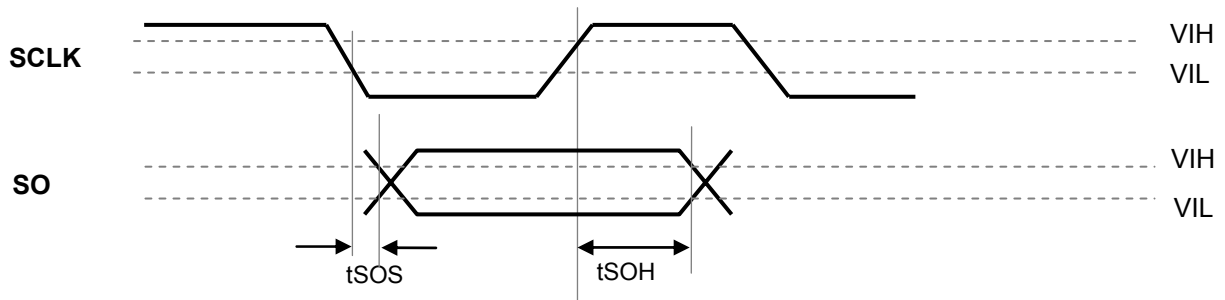


Figure 12. AK7722 → Micro-controller

3) I<sup>2</sup>C-Bus Interface

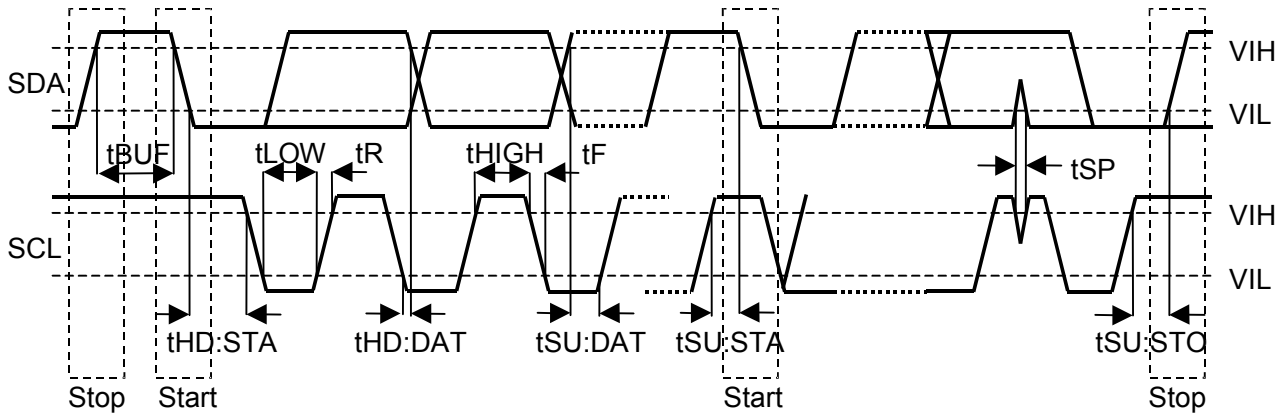
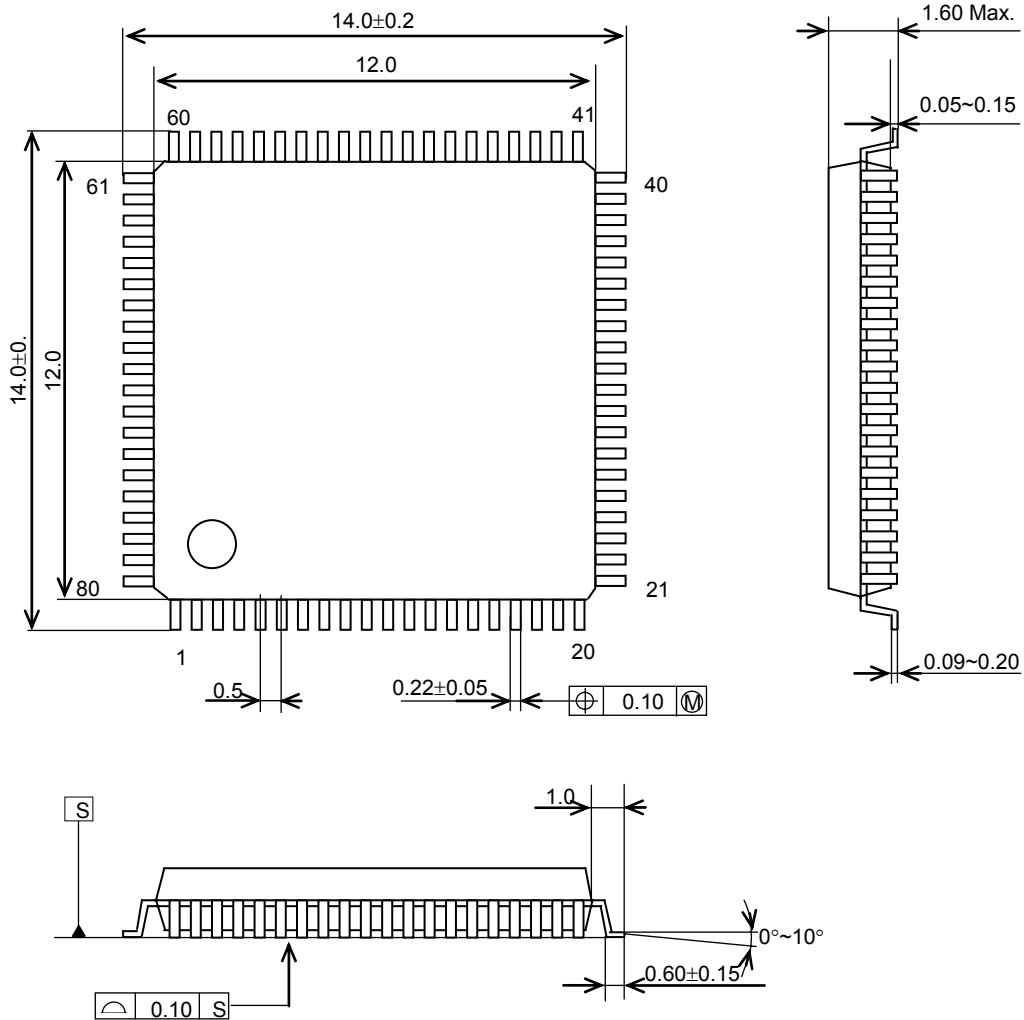


Figure 13. I<sup>2</sup>C-bus Interface



PACKAGE

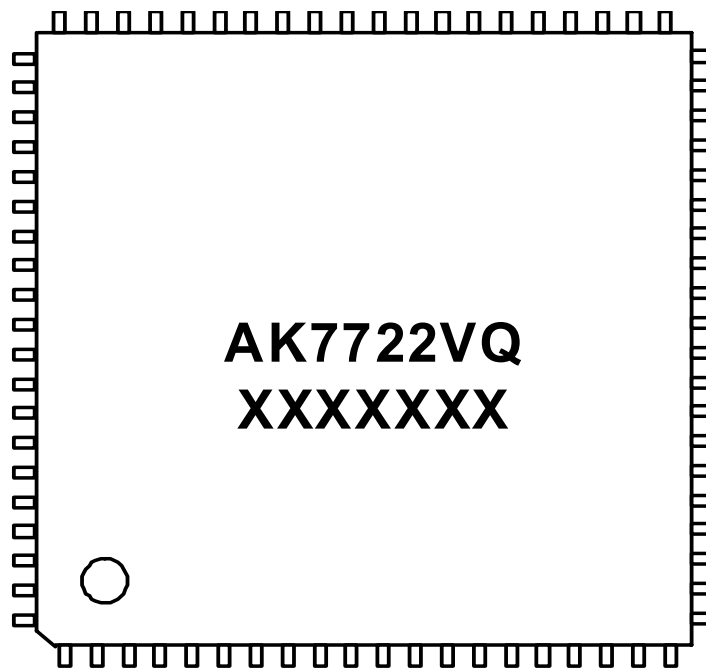
80pin LQFP (Unit: mm)



■ Materials and Lead Specification

- Package: Epoxy
- Lead frame: Copper
- Lead-finish: Soldering (Pb free) plate

**MARKING**



- 1) Pin#1 indication
- 2) Date Code: XXXXXXXX (7 digits)
- 3) Marking Code: AK7722VQ

**REVISION HISTORY**

Date (YY/MM/DD)	Revision	Reason	Page	Contents
11/09/09	00	First Edition		

**IMPORTANT NOTICE**

- These products and their specifications are subject to change without notice.  
When you consider any use or application of these products, please make inquiries the sales office of Asahi Kasei Microdevices Corporation (AKM) or authorized distributors as to current status of the products.
- Descriptions of external circuits, application circuits, software and other related information contained in this document are provided only to illustrate the operation and application examples of the semiconductor products. You are fully responsible for the incorporation of these external circuits, application circuits, software and other related information in the design of your equipments. AKM assumes no responsibility for any losses incurred by you or third parties arising from the use of these information herein. AKM assumes no liability for infringement of any patent, intellectual property, or other rights in the application or use of such information contained herein.
- Any export of these products, or devices or systems containing them, may require an export license or other official approval under the law and regulations of the country of export pertaining to customs and tariffs, currency exchange, or strategic materials.
- AKM products are neither intended nor authorized for use as critical components<sup>Note1)</sup> in any safety, life support, or other hazard related device or system<sup>Note2)</sup>, and AKM assumes no responsibility for such use, except for the use approved with the express written consent by Representative Director of AKM. As used here:
  - Note1) A critical component is one whose failure to function or perform may reasonably be expected to result, whether directly or indirectly, in the loss of the safety or effectiveness of the device or system containing it, and which must therefore meet very high standards of performance and reliability.
  - Note2) A hazard related device or system is one designed or intended for life support or maintenance of safety or for applications in medicine, aerospace, nuclear energy, or other fields, in which its failure to function or perform may reasonably be expected to result in loss of life or in significant injury or damage to person or property.
- It is the responsibility of the buyer or distributor of AKM products, who distributes, disposes of, or otherwise places the product with a third party, to notify such third party in advance of the above content and conditions, and the buyer or distributor agrees to assume any and all responsibility and liability for and hold AKM harmless from any and all claims arising from the use of said product in the absence of such notification.

Thank you for your access to AKM products information.  
More detail product information is available, please contact our  
sales office or authorized distributors.