



AK7738

Multi DSP with 5ch ADC + 4ch DAC + 8ch SRC

1. General Description

The AK7738 is a highly integrated digital signal processor, including a 24-bit stereo ADC with MIC gain amplifiers, a 24-bit stereo ADC with input selector, a monaural ADC, two 32-bit stereo DACs, 4 stereo sampling rate convertors supporting the sampling frequency up to 192kHz, two DSPs and a Sub DSP for Audio/HF process. Each two DSPs and a Sub DSP has 2560step/fs (when fs=48kHz) parallel processing power. The AK7738 is capable of processing sound and voice such as for hands-free function simultaneously because two DSPs are able to work on different but synchronized sampling frequencies. As the AK7738 is a RAM based DSP, it is freely programmable for user requirements, such as acoustic effects and proprietary high performance hands-free function. The AK7738 is available in a 64-pin LQFP package.

2. Features

- **DSP1/DSP2: (Memory areas are shared by DSP1 and DSP2)**
 - **Word length:** 28-bit (Simple floating point supported)
 - **Instruction cycle:** 8.1ns (2560fs at fs=48kHz)
 - **Multiplier:** 24 x 24 → 48-bit (Double precision arithmetic available)
 - **Divider:** 24 / 24 → 24-bit (Floating point normalization function)
 - **ALU:** 52-bit arithmetic operation (with 4bits overflow margin)
 - **Program RAM:** 8192 word x 36-bit
 - **Coefficient RAM:** 6144 word x 24-bit
 - **Data RAM:** 6144 word x 28-bit
 - **Delay RAM:** 20480 word x 28-bit
 - **JX pins (Interrupt)**
 - **Clock Mode Selector for DSP1, DSP2**
 - **Independent Power Management Function for DSP1, DSP2**
- **Sub DSP**
 - **Word length:** 28-bit (Simple floating point supported)
 - **Instruction cycle:** 8.1ns (2560fs at fs=48kHz)
 - **Multiplier:** 24 x 24 → 48-bit (Double precision arithmetic available)
 - **Divider:** 24 / 24 → 24-bit (Floating point normalization function)
 - **ALU:** 52-bit arithmetic operation (with 4bits overflow margin)
 - **Program RAM:** 1024 word x 36-bit
 - **Coefficient RAM:** 2048 word x 24-bit
 - **Data RAM:** 4096 word x 28-bit
- **ADC1: 24-bit Stereo ADC with MIC Gain Amplifiers**
 - **Sampling Frequency:** fs=8kHz to 192kHz
 - **Channel Independent Analog Gain Amplifiers**
(0 to 18dB(2dB Step), 18 to 36dB(3dB step))
 - **Differential Input or Single-ended Input**
 - **ADC Characteristics** S/N: 102dB (fs=48kHz, Differential Input, MIC Gain=0dB,)
 - **Channel Independent Digital Volume Control** (+24 to -103dB, 0.5dB Step, Mute)
 - **Analog DRC (Dynamic Range Control)**
 - **Digital HPF for DC Offset Cancelling**
 - **Low Noise MIC Power Output: 2ch**
 - **4 types of Digital Filter for Sound Color Selection**

- **ADC2: 24-bit Stereo ADC with Input Selector**
 - Sampling Frequency: $f_s=8\text{kHz}$ to 192kHz
 - Analog Input Selector: Differential Input x1 or Single-ended Input x2, Semi-Differential Input x1
 - ADC Characteristics S/N: 102dB ($f_s=48\text{kHz}$, Differential Input)
 - Channel Independent Digital Volume (+24 to -103dB, 0.5dB Step, Mute)
 - Digital HPF for DC Offset Cancelling
 - 4 types of Digital Filter for Sound Color Selection
- **ADCM: 24-bit Monaural ADC**
 - Sampling Frequency: $f_s=8\text{kHz}$ to 192kHz
 - Differential Input or Single-ended Input
 - ADC Characteristics S/N: 102dB ($f_s=48\text{kHz}$, Differential Input)
 - Channel Independent Digital Volume (+24 to -103dB, 0.5dB Step, Mute)
 - Digital HPF for DC Offset Cancelling
 - 4 types of Digital Filter for Sound Color Selection
- **DAC: Advanced 32-bit DAC**
 - 2ch x2
 - Sampling Frequency: $f_s=8\text{kHz}$ to 192kHz
 - Single-ended Output
 - DAC Characteristics S/N: 108dB ($f_s=48\text{kHz}$)
 - Channel Independent Digital Volume Control (+12 to -115dB, 0.5dB Step, Mute)
 - 4 types of Digital Filter for Sound Color Selection
- **SRC:**
 - 2ch x4
 - FSI = 8kHz to 192kHz , FSO = 8kHz to 192kHz (FSO/FSI = 0.167 to 6.0)
- **FSCONV: Monaural Simple SRC**
 - 1ch x2
 - FSI = 44.1kHz to 48kHz , FSO = 8kHz to 16kHz (FSO/FSI = 0.167 to 0.363)
- **DIT:**
 - S/PDIF, IEC60958, AES/EBU, EIAJ CP1201 Compatible
 - 24-bit Stereo Output
- **Digital Interface:**
 - Digital Input Port: max 24ch when TDM mode
 - Digital Output Port: max 28ch when TDM mode
 - Independent LRCK/BICK Input port x 5 Lines
 - Data Format: MSB 32,24-bit / LSB 24,20,16-bit / I²S
 - PCM Short / Long Frame Supported
 - TDM Format Supported
- **Digital Mixer Circuit**
- **PLL Circuit**
- **μP Interface: SPI(7MHz max), I²C-bus (1MHz, Fast Mode Plus)**
- **Power Supply:**
 - Analog AVDD: 3.0 to 3.6V (typ. 3.3V)
 - Digital LVDD: 3.0 to 3.6V (typ. 3.3V) (3.3V → 1.2V regulator integrated)
 - I/F VDD33: 3.0 to 3.6V (typ. 3.3V)
 - TVDD1: 1.7 to 3.6V (typ. 3.3V)
 - TVDD2: 1.7 to 3.6V (typ. 3.3V)
- **Operating Temperature Range: -40°C to 85°C**
- **Package: 64-pin LQFP (10mm x 10mm, 0.5mm pitch)**

3. Table of Contents

1.	General Description.....	1
2.	Features	1
3.	Table of Contents	3
4.	Block Diagram and Functions	4
	■ Block Diagram.....	4
	■ DSP1 Block Diagram	5
	■ DSP2 Block Diagram	6
	■ Sub DSP Block Diagram	7
5.	Pin Configurations and Functions	8
	■ Ordering Guide	8
	■ Pin Layout	8
	■ Pin Functions	9
	■ Handling of Unused Pins	12
	■ Internal Pulled-down Pin Status	12
	■ Power-down Status of Output Pins.....	13
	■ Relationship between Power Supplies and Digital Pins	13
6.	Absolute Maximum Ratings	14
7.	Recommended Operating Conditions.....	14
8.	Electrical Characteristics	15
	■ Analog Characteristics.....	15
	■ Power Consumption	20
9.	Digital Filter Characteristics.....	21
10.	DC Characteristics.....	31
	■ DC Characteristics	31
11.	Switching Characteristics	32
12.	Package.....	40
	■ Outline Dimensions	40
	■ Material and Lead Finish.....	40
	■ Marking	41
13.	Revision History.....	41
	IMPORTANT NOTICE	42

4. Block Diagram and Functions

■ Block Diagram

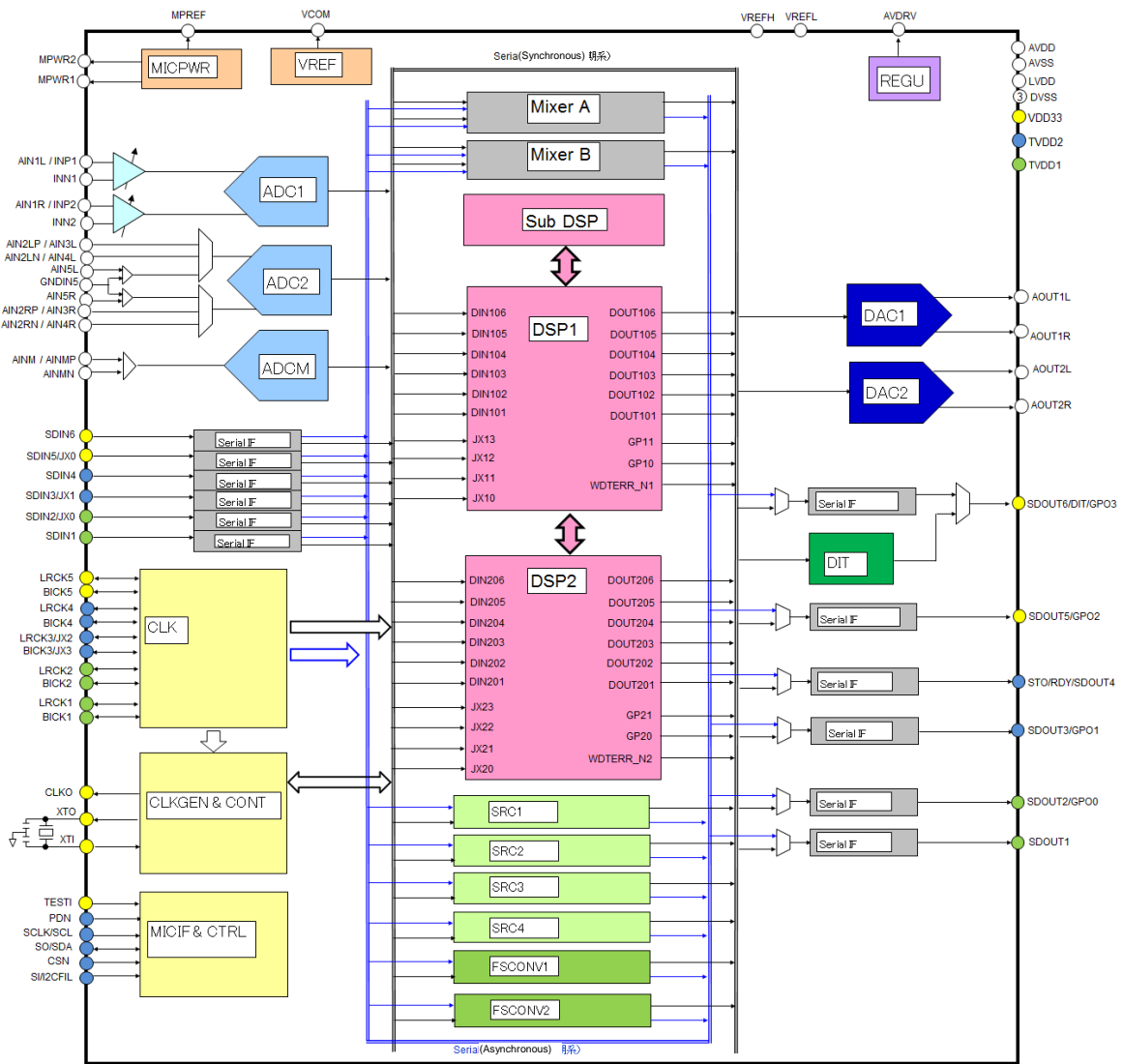


Figure 1. Block Diagram

■ DSP1 Block Diagram

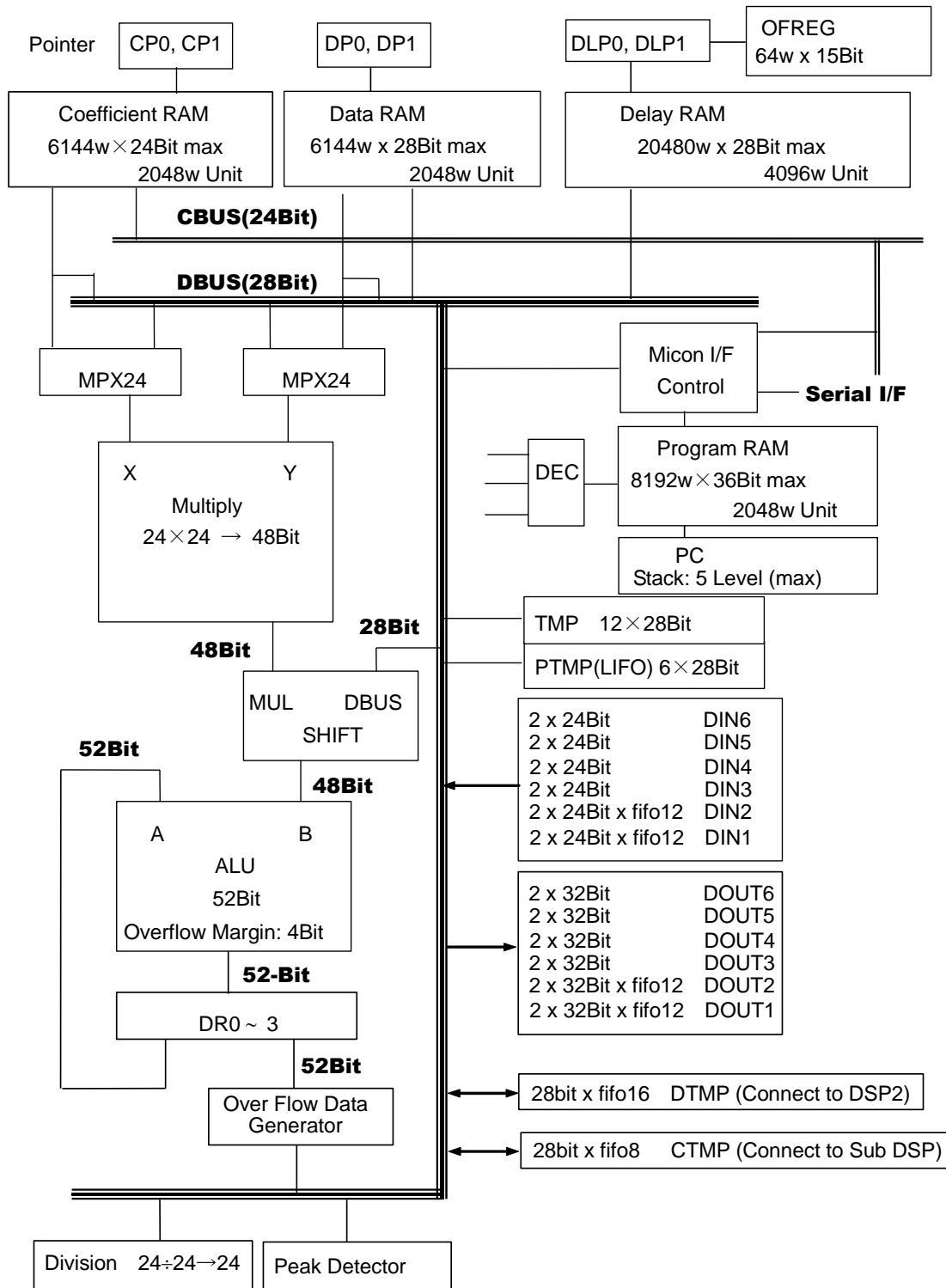


Figure 2. DSP1 Block Diagram (Note 1)

Note 1. Coefficient RAM, Data RAM, Delay RAM, Program RAM areas are shared by DSP1 and DSP2 and the sizes are configurable by control registers.

■ DSP2 Block Diagram

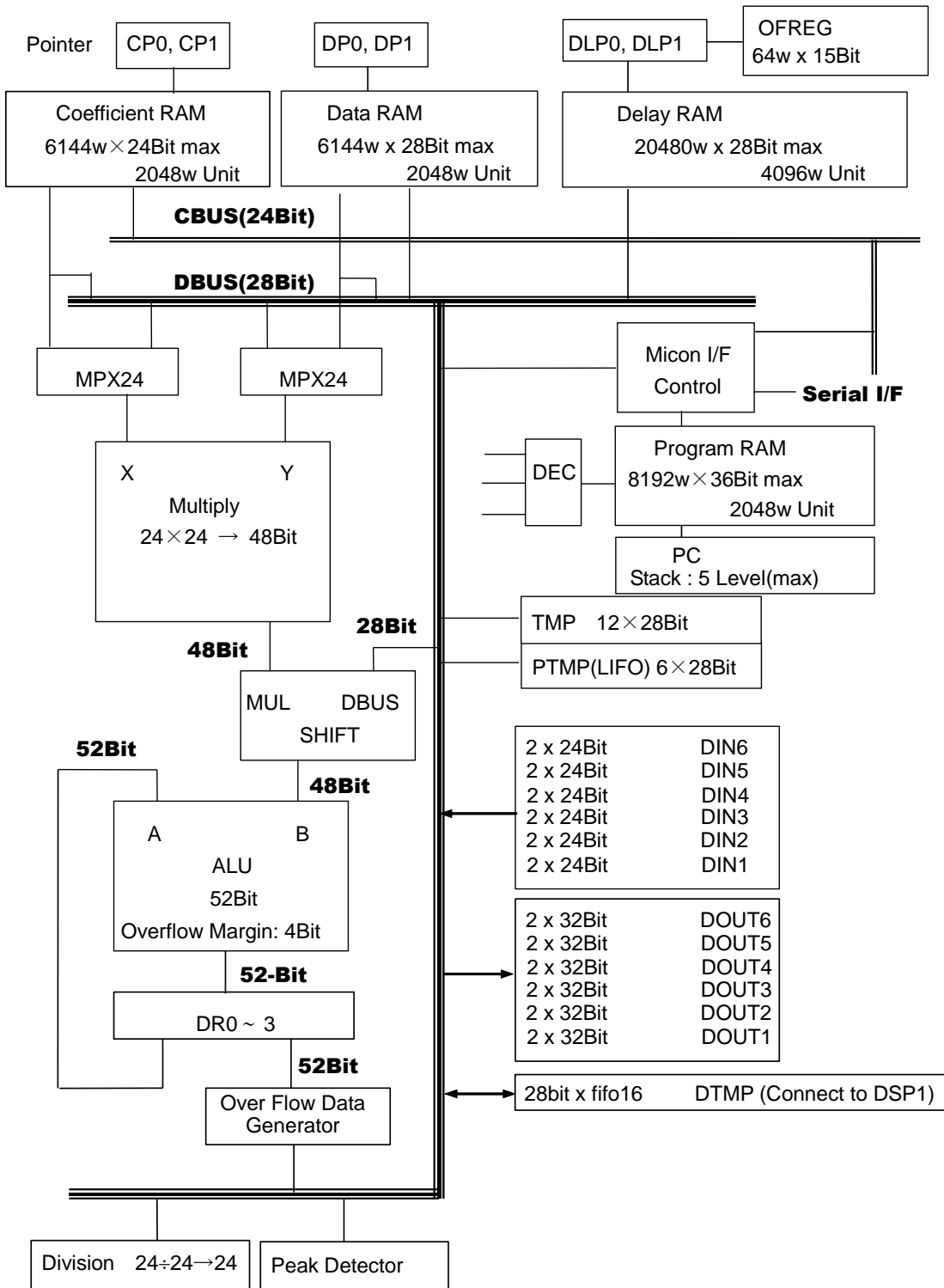


Figure 3. DSP2 Block Diagram (Note 1)

■ Sub DSP Block Diagram

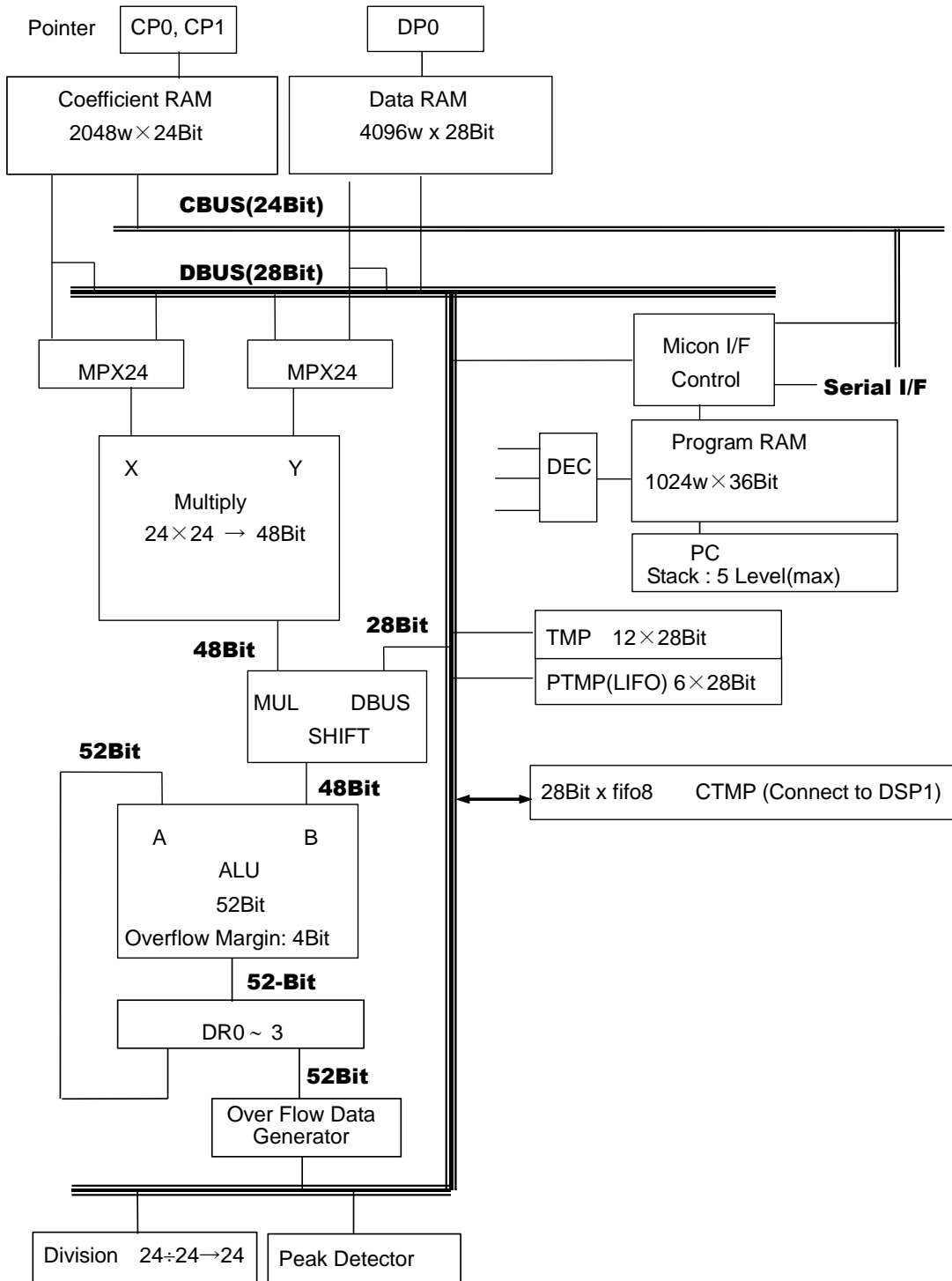


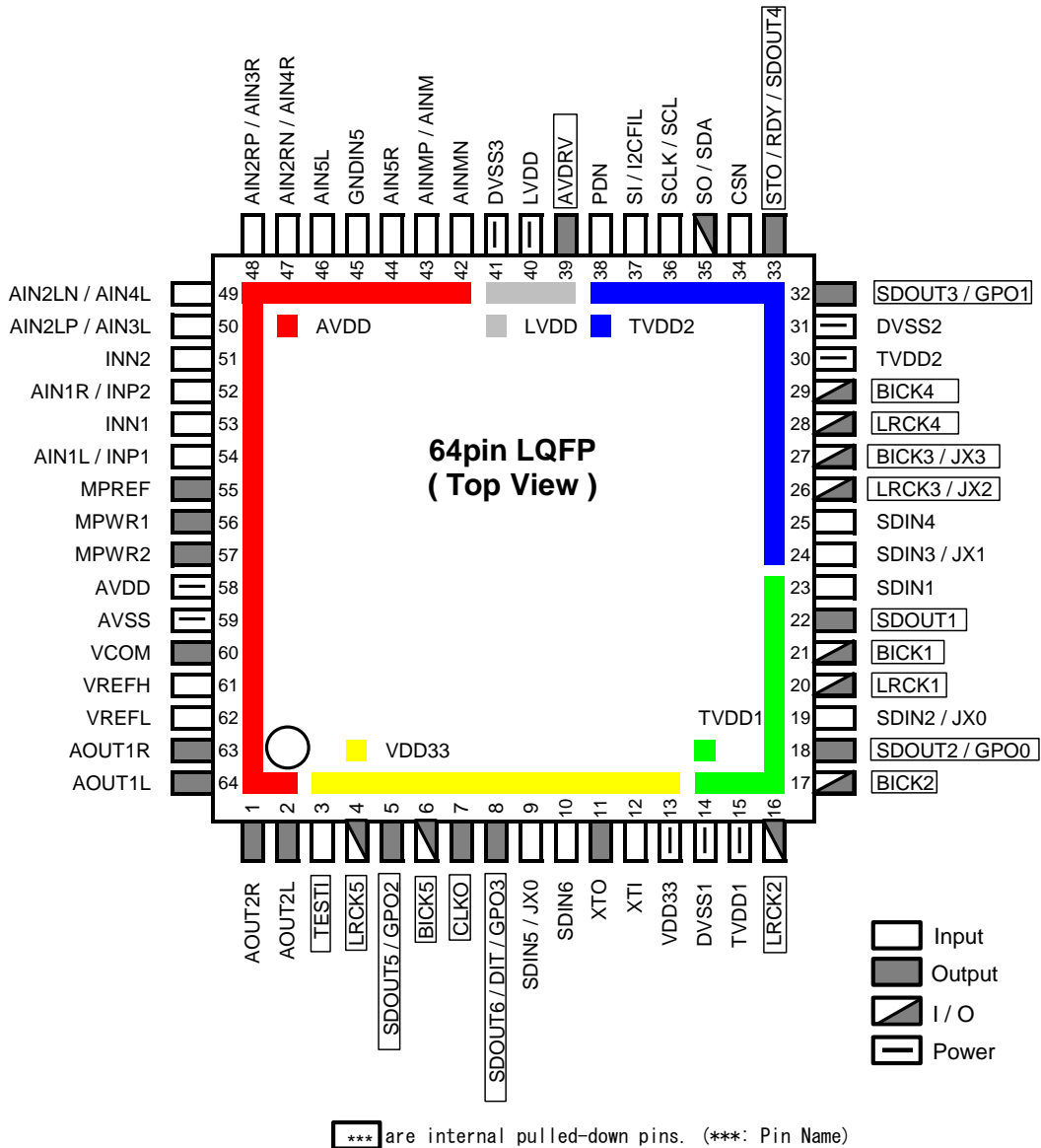
Figure 4. Sub DSP Block Diagram

5. Pin Configurations and Functions

■ **Ordering Guide**

AK7738VQ: -40 ~ +85°C 64-pin LQFP (0.5mm pitch)
 AKD7738: Evaluation Board for AK7738

■ **Pin Layout**



■ Pin Functions

No.	Pin Name	I/O	Function
1	AOUT2R	O	DAC2 Rch Analog Output Pin This pin outputs "Hi-Z" during power-down state.
2	AOUT2L	O	DAC2 Lch Analog Output Pin This pin outputs "Hi-Z" during power-down state.
3	TESTI	I	Test Input Pin It must be tied "L".
4	LRCK5	I/O	LR Channel Select Clock 5 Pin
5	SDOUT5	O	Serial Data Output 5 Pin
	GPO2	O	DSP Programmable Output 2 Pin (GPO0 Output of DSP2)
6	BICK5	I/O	Serial Bit Clock 5 Pin
7	CLKO	O	Master Clock Output Pin
8	SDOUT6	O	Serial Data Output 6 Pin
	DIT	O	Digital Transmit Channel Output Pin
	GPO3	O	DSP Programmable Output 3 Pin (GPO1 Output of DSP2)
9	SDIN5	I	Serial Data Input 5 Pin
	JX0	I	External Conditional Jump Input 0 Pin
10	SDIN6	I	Serial Data Input 6 Pin
11	XTO	O	Crystal Oscillator Output Pin When using a crystal oscillator, connect it between XTI and XTO. When not using a crystal oscillator, leave this pin open.
12	XTI	I	Crystal Oscillator Input Pin When using a crystal oscillator, connect it between XTI and XTO. When not using a crystal oscillator, connect this pin to an external clock or DVSS1.
13	VDD33	-	Digital I/F Power Supply Pin 3.0~3.6V (typ.3.3V)
14	DVSS1	-	Digital Ground 1 Pin 0V (Substrate potential)
15	TVDD1	-	Digital I/F Power Supply 1 Pin 1.7~3.6V (typ.3.3V)
16	LRCK2	I/O	LR Channel Select Clock 2 Pin
17	BICK2	I/O	Serial Bit Clock 2 Pin
18	SDOUT2	O	Serial Data Output 2 Pin
	GPO0	O	DSP Programmable Output 0 Pin (GPO0 Output of DSP1)
19	SDIN2	I	Serial Data Input 2 Pin
	JX0	I	External Conditional Jump Input 0 Pin
20	LRCK1	I/O	LR Channel Select Clock 1 Pin
21	BICK1	I/O	Serial Bit Clock 1 Pin
22	SDOUT1	O	Serial Data Output 1 Pin
23	SDIN1	I	Serial Data Input 1 Pin

No.	Pin Name	I/O	Function
24	SDIN3	I	Serial Data Input 3 Pin
	JX1	I	External Conditional Jump Input 1 Pin
25	SDIN4	I	Serial Data Input 4 Pin
26	LRCK3	I/O	LR Channel Select Clock 3 Pin
	JX2	I	External Conditional Jump Input 2 Pin
27	BICK3	I/O	Serial Bit Clock 3 Pin
	JX3	I	External Conditional Jump Input 3 Pin
28	LRCK4	I/O	LR Channel Select Clock 4 Pin
29	BICK4	I/O	Serial Bit Clock 4 Pin
30	TVDD2	-	Digital I/F Power Supply 2 Pin 1.7~3.6V (typ.3.3V)
31	DVSS2	-	Digital Ground 2 Pin 0V (Substrate potential)
32	SDOUT3	O	Serial Data Output 3 Pin
	GPO1	O	DSP Programmable Output 1 Pin (GPO1 Output of DSP1)
33	STO	O	Status Output Pin This pin outputs "L" during power-down state.
	RDY	O	RDY Signal Output Pin
	SDOUT4	O	Serial Data Output 4 Pin
34	CSN	I	SPI Mode SPI I/F Chip Select N Pin During power-down state or when μ P I/F are not in use, leave this pin "H" level.
		I	I ² C Mode I ² C I/F Chip Address N Pin This pin must be pulled up or pulled down.
35	SO	O	Serial Data Output Pin for SPI I/F This pin outputs "Hi-Z" during power-down state.
	SDA	I/O	Serial Data In/Output Pin for I ² C I/F This pin outputs "Hi-Z" during power-down state.
36	SCLK	I	Serial Data Clock Input Pin for SPI I/F
	SCL	I	Serial Data Clock Input Pin for I ² C I/F
37	SI	I	Serial Data Input Pin for SPI I/F
	I2CFIL	I	I ² C I/F Mode Select Input Pin I2CFIL = "L": Fast Mode (400kHz) I2CFIL = "H": Fast Mode Plus (1MHz) (should be fixed to TVDD2)
38	PDN	I	Power-down N Pin Use this pin to power down the AK7738. The PDN pin should be held "L" when power is supplied.
39	AVDRV	O	LDO Output Pin Connect a 2.2 μ F ceramic capacitor between this pin and DVSS3. Do not connect this pin to an external circuit.
40	LVDD	-	Digital Core Power Supply Pin 3.0~3.6V (typ.3.3V)
41	DVSS3	-	Digital Ground 3 Pin 0V (Substrate potential)

No.	Pin Name	I/O	Function
42	AINMN	I	ADCM Inverted Differential Input Pin
43	AINMP	I	ADCM Non-inverted Differential Input Pin
	AINM	I	ADCM Single-ended Input Pin
44	AIN5R	I	ADC2 Rch Pseudo Differential Input 5 Pin
45	GNDIN5	I	ADC2 Pseudo Differential Ground Input 5 Pin
46	AIN5L	I	ADC2 Lch Pseudo Differential Input 5 Pin
47	AIN2RN	I	ADC2 Rch Inverted Differential Input 2 Pin
	AIN4R	I	ADC2 Rch Single-ended Input 4 Pin
48	AIN2RP	I	ADC2 Rch Non-inverted Differential Input 2 Pin
	AIN3R	I	ADC2 Rch Single-ended Input 3 Pin
49	AIN2LN	I	ADC2 Lch Inverted Differential Input 2 Pin
	AIN4L	I	ADC2 Lch Single-ended Input 4 Pin
50	AIN2LP	I	ADC2 Lch Non-inverted Differential Input 2 Pin
	AIN3L	I	ADC2 Lch Single-ended Input 3 Pin
51	INN2	I	ADC1 Rch Inverted Differential Input 2 Pin
52	AIN1R	I	ADC1 Rch Single-ended Input 1 Pin
	INP2	I	ADC1 Rch Non-inverted Differential Input 2 Pin
53	INN1	I	ADC1 Lch Inverted Differential Input 1 Pin
54	AIN1L	I	ADC1 Lch Single-ended Input 1 Pin
	INP1	I	ADC1 Lch Non-inverted Differential Input 1 Pin
55	MPREF	O	Ripple Filter Pin for Microphone Power Supply Connect a 1uF ceramic capacitor between this pin and AVSS. Do not connect this pin to an external circuit.
56	MPWR1	O	Power Supply Output 1 Pin for Microphone This pin outputs "Hi-Z" during power-down state.
57	MPWR2	O	Power Supply Output 2 Pin for Microphone This pin outputs "Hi-Z" during power-down state.
58	AVDD	-	Analog Power Supply Pin 3.0~3.6V (typ.3.3V)
59	AVSS	-	Analog Ground Pin 0V (Substrate potential)
60	VCOM	O	Analog Common Voltage Output Pin Connect a 2.2uF ceramic capacitor between this pin and AVSS. Do not connect this pin to an external circuit. This pin outputs "L" during power-down state.
61	VREFH	I	Analog High-level Reference Voltage Input Pin Connect this pin to AVDD.
62	VREFL	I	Analog Low-level Reference Voltage Input Pin Connect this pin to AVSS.
63	AOUT1R	O	DAC1 Rch Analog Output Pin This pin outputs "Hi-Z" during power-down state.
64	AOUT1L	O	DAC1 Lch Analog Output Pin This pin outputs "Hi-Z" during power-down state.

■ Handling of Unused Pins

Unused I/O pins must be connected appropriately.

Classification	Pin Name	Setting
Analog	MPREF, MPWR1, MPWR2, AIN1L/INP1, INN1, AIN1R/INP2, INN2, AIN2LP/AIN3L, AIN2LN/AIN4L, AIN2RP/AIN3R, AIN2RN/AIN4R, AIN5L, GNDIN5, AIN5R, AINMP/AINM, AINMN, AOUT1L, AOUT1R, AOUT2L, AOUT2R	Open
Digital	CLKO, XTO, SDOUT1, SDOUT2/GPO0, SDOUT3/GPO1, STO/RDY/SDOUT4, SDOUT5/GPO2, SDOUT6/DIT/GPO3	Open
	XTI, SDIN6, SDIN5/JX0, SDIN4, SDIN3/JX1, SDIN2/JX0, SDIN1, LRCK1, BICK1, LRCK2, BICK2, LRCK3/JX2, BICK3/JX3, LRCK4, BICK4, LRCK5, BICK5, TESTI	Connect to DVSS1 ~ 3

Table 1. Handling of Unused Pins

Note 2. Although it is recommended that the LRCK1, BICK1, LRCK2, BICK2, LRCK3/JX2, BICK3/JX3, LRCK4, BICK4, LRCK5 and BICK5 pins are connected to DVSS1-3 when not using, they can be open since they are pulled down internally.

■ Internal Pulled-down Pin Status

Internal pulled-down I/O pins have different statuses in power-down and power-down release statuses.

No	Pin Name	I/O	Power Down Status PDN pin = "L"	Power Down Release PDN pin = "H" (when I/O pin = Input)	Power Down Release PDN pin = "H" (when I/O pin = Output)
3	TESTI	I	Pulled-down (25kΩ)	Pulled-down (25kΩ)	Pulled-down (25kΩ)
4	LRCK5	I/O	Pulled-down (50kΩ)	Pulled-down (46kΩ)	Output
5	SDOUT5/GPO2	O	Pulled-down (50kΩ)	Output	Output
6	BICK5	I/O	Pulled-down (50kΩ)	Pulled-down (46kΩ)	Output
7	CLKO	O	Pulled-down (50kΩ)	Output	Output
8	SDOUT6/DIT/GPO3	O	Pulled-down (50kΩ)	Output	Output
16	LRCK2	I/O	Pulled-down (50kΩ)	Pulled-down (46kΩ)	Output
17	BICK2	I/O	Pulled-down (50kΩ)	Pulled-down (46kΩ)	Output
18	SDOUT2/GPO0	O	Pulled-down (50kΩ)	Output	Output
20	LRCK1	I/O	Pulled-down (50kΩ)	Pulled-down (46kΩ)	Output
21	BICK1	I/O	Pulled-down (50kΩ)	Pulled-down (46kΩ)	Output
22	SDOUT1	O	Pulled-down (50kΩ)	Output	Output
26	LRCK3/JX2	I/O	Pulled-down (50kΩ)	Pulled-down (46kΩ)	Output
27	BICK3/JX3	I/O	Pulled-down (50kΩ)	Pulled-down (46kΩ)	Output
28	LRCK4	I/O	Pulled-down (50kΩ)	Pulled-down (46kΩ)	Output
29	BICK4	I/O	Pulled-down (50kΩ)	Pulled-down (46kΩ)	Output
32	SDOUT3/GPO1	O	Pulled-down (50kΩ)	Output	Output
33	STO/RDY/SDOUT4	O	Pulled-down (50kΩ)	Output	Output
39	AVDRV	O	Pulled-down (70Ω)	Output	Output

Table 2. Internal Pulled-down Pin Status

■ Power-down Status of Output Pins

No	Pin Name	I/O	Power-down Status	No	Pin Name	I/O	Power-down Status
60	VCOM	O	“L” Output	35	SO/SDA	I/O	“Hi-Z” Output
55	MPREF	O	“L” Output				
56	MPWR1	O	“Hi-Z” Output	22	SDOUT1	O	“L” Output
57	MPWR2	O	“Hi-Z” Output	18	SDOUT2/GPO0	O	“L” Output
64	AOUT1L	O	“Hi-Z” Output	32	SDOUT3/GPO1	O	“L” Output
63	AOUT1R	O	“Hi-Z” Output	33	STO/RDY/SDOUT4	O	“L” Output
2	AOUT2L	O	“Hi-Z” Output	5	SDOUT5/GPO2	O	“L” Output
1	AOUT2R	O	“Hi-Z” Output	8	SDOUT6/DIT/GPO3	O	“L” Output
20	LRCK1	I/O	Input	7	CLKO	O	“L” Output
21	BICK1	I/O	Input	11	XTO	O	“H” Output
16	LRCK2	I/O	Input	39	AVDRV	O	“L” Output
17	BICK2	I/O	Input				
26	LRCK3/JX2	I/O	Input				
27	BICK3/JX3	I/O	Input				
28	LRCK4	I/O	Input				
29	BICK4	I/O	Input				
4	LRCK5	I/O	Input				
6	BICK5	I/O	Input				

Table 3. Power-down Status of Output Pins

■ Relationship between Power Supplies and Digital Pins

Power Supply	Digital Pins
TVDD1	SDIN1, SDIN2/JX0, SDOUT1, SDOUT2/GPO0, LRCK1, BICK1, LRCK2, BICK2
TVDD2	SDIN3/JX1, SDIN4, SDOUT3/GPO1, STO/RDY/SDOUT4, LRCK3/JX2, BICK3/JX3, LRCK4, BICK4, PDN, SCLK/SCL, SO/SDA, CSN, SI/I2CFIL
VDD33	SDIN5/JX0, SDIN6, SDOUT5/GPO2, SDOUT6/DIT/GPO3, LRCK5, BICK5, CLKO, TESTI, XTO, XTI

Table 4. Relationship between Power Supplies and Digital Pins

6. Absolute Maximum Ratings

(AVSS=DVSS1=DVSS2=DVSS3=0V; Note 3)

Parameter	Symbol	min	max	Unit
Power Supplies				
Analog	AVDD	-0.3	4.3	V
Digital1(Core)	LVDD	-0.3	4.3	V
Digital2(I/F)	TVDD1	-0.3	4.3	V
Digital3(I/F)	TVDD2	-0.3	4.3	V
Digital4(I/F)	VDD33	-0.3	4.3	V
DVSS-AVSS (Note 3)	ΔGND	-0.3	0.3	V
Input Current (except power supply pins)	IIN	—	±10	mA
Analog Input Voltage (Note 4)	VINA	-0.3	(AVDD+0.3)≤4.3	V
Digital Input Voltage (Note 5)	VIND1	-0.3	(TVDD1+0.3)≤4.3	V
Digital Input Voltage (Note 6)	VIND2	-0.3	(TVDD2+0.3)≤4.3	V
Digital Input Voltage (Note 7)	VIND3	-0.3	(VDD33+0.3)≤4.3	V
Ambient Temperature (Power applied)	Ta	-40	85	°C
Storage Temperature	Tstg	-65	150	°C

Note 3. All voltages are with respect to ground. AVSS and DVSS1-3 must be connected to the same ground.

Note 4. The maximum analog input voltage is smaller value between (AVDD+0.3)V and 4.3V.

Note 5. The maximum digital input voltage of SDIN1, SDIN2/JX0, LRCK1, BICK1, LRCK2 and BICK2 pins is smaller value between (TVDD1+0.3)V and 4.3V.

Note 6. The maximum digital input voltage of SDIN3/JX1, SDIN4, LRCK3/JX2, BICK3/JX3, LRCK4, BICK4, PDN, SCLK/SCL, SO/SDA, CSN and SI/I2CFIL pins is smaller value between (TVDD2+0.3)V and 4.3V.

Note 7. The maximum digital input voltage of SDIN5/JX0, SDIN6, LRCK5, BICK5, TESTI and XTI pins is smaller value between (VDD33+0.3)V and 4.3V.

WARNING: Operation at or beyond these limits may result in permanent damage to the device. Normal operation is not guaranteed at these extremes.

7. Recommended Operating Conditions

(AVSS=DVSS1=DVSS2=DVSS3=0V; Note 3)

Parameter	Symbol	min	typ	max	Unit
Power Supplies					
Analog	AVDD	3.0	3.3	3.6	V
Digital1(Core)	LVDD	3.0	3.3	3.6	V
Digital2(I/F)	TVDD1	1.7	3.3	3.6	V
Digital3(I/F)	TVDD2	1.7	3.3	3.6	V
Digital4(I/F)	VDD33	3.0	3.3	3.6	V

Note 8. The power-up sequence with AVDD, DVDD, TVDD1, TVDD2 and VDD33 is not critical. The PDN pin should be held “L” when power is supplied. The PDN pin is allowed to be “H” after all power supplies are applied and settled.

Note 9. Do not turn off the power supply of the AK7738 with the power supply of the peripheral device turned on. When using the I²C interface, pull-up resistors of SDA and SCL pins should be connected to TVDD2 or less voltage.

WARNING: AKM assumes no responsibility for the usage beyond the conditions in the datasheet.

8. Electrical Characteristics

■ Analog Characteristics

1. MIC AMP Gain

(Ta=25°C; AVDD=LVDD=TVDD1=TVDD2=VDD33=3.3V; AVSS=DVSS1=DVSS2=DVSS3=0V)

Parameter		min	typ	max	Unit	
MIC AMP	Input Impedance	14	20	26	kΩ	
	Gain	MGNL[3:0]bits=0h, MGNR[3:0]bits=0h	-1	0	1	dB
		MGNL[3:0]bits=1h, MGNR[3:0]bits=1h	1	2	3	
		MGNL[3:0]bits=2h, MGNR[3:0]bits=2h	3	4	5	
		MGNL[3:0]bits=3h, MGNR[3:0]bits=3h	5	6	7	
		MGNL[3:0]bits=4h, MGNR[3:0]bits=4h	7	8	9	
		MGNL[3:0]bits=5h, MGNR[3:0]bits=5h	9	10	11	
		MGNL[3:0]bits=6h, MGNR[3:0]bits=6h	11	12	13	
		MGNL[3:0]bits=7h, MGNR[3:0]bits=7h	13	14	15	
		MGNL[3:0]bits=8h, MGNR[3:0]bits=8h	15	16	17	
		MGNL[3:0]bits=9h, MGNR[3:0]bits=9h	17	18	19	
		MGNL[3:0]bits=Ah, MGNR[3:0]bits=Ah	20	21	22	
		MGNL[3:0]bits=Bh, MGNR[3:0]bits=Bh	23	24	25	
		MGNL[3:0]bits=Ch, MGNR[3:0]bits=Ch	26	27	28	
		MGNL[3:0]bits=Dh, MGNR[3:0]bits=Dh	29	30	31	
MGNL[3:0]bits=Eh, MGNR[3:0]bits=Eh	32	33	34			
MGNL[3:0]bits=Fh, MGNR[3:0]bits=Fh	35	36	37			

2. MIC Bias

(Ta=25°C; AVDD=LVDD=TVDD1=TVDD2=VDD33=3.3V; AVSS=DVSS1=DVSS2=DVSS3=0V;

Measurement Frequency =20Hz~20kHz)

Parameter		min	typ	max	Unit
MIC Bias	Output Voltage	2.3	2.5	2.7	V
	Load Resistance	2			kΩ
	Load Capaitance			30	pF
	Output Noise (A-weighted)		-114	-108	dBV

3. MIC AMP + ADC1

(Ta=25°C; AVDD=LVDV=TVDD1=TVDD2=VDD33=3.3V; AVSS=DVSS1=DVSS2=DVSS3=0V; Signal Frequency=1kHz; 24-bit Data; BICK=64fs, Measurement Frequency=20Hz ~ 20kHz @ fs=48kHz; Measurement Frequency=20Hz ~ 40kHz @ fs=96kHz and fs=192kHz, Differential Input, Unless otherwise specified.)

MIC AMP + ADC1	Parameter		min	typ	max	Unit
	Resolution					24
Input Voltage (Note 13)	Differential Input	(Note 11)	±2.1	±2.3	±2.5	V _{pp}
	Differential Input	(Note 12)	±0.264	±0.290	±0.315	
	Single-ended Input	(Note 11)	2.1	2.3	2.5	V _{pp}
	Single-ended Input	(Note 12)	0.264	0.290	0.315	
S/(N+D) (-1dBFS)	fs=48kHz	(Note 11)	80	90		dB
	fs=48kHz	(Note 12)		82		
	fs=96kHz	(Note 11)		87		
	fs=96kHz	(Note 12)		79		
	fs=192kHz	(Note 11, Note 14)		87		
	fs=192kHz	(Note 12, Note 14)		79		
Dynamic Range (-60dBFS)	fs=48kHz (A-weighted)	(Note 11)	94	102		dB
	fs=48kHz (A-weighted)	(Note 12)		90		
	fs=96kHz	(Note 11)		95		
	fs=96kHz	(Note 12)		87		
	fs=192kHz	(Note 11)		95		
	fs=192kHz	(Note 12)		87		
S/N	fs=48kHz (A-weighted)	(Note 11)	94	102		dB
	fs=48kHz (A-weighted)	(Note 12)		90		
	fs=96kHz	(Note 11)		95		
	fs=96kHz	(Note 12)		87		
	fs=192kHz	(Note 11)		95		
	fs=192kHz	(Note 12)		87		
Inter-Channel Isolation (fin=1kHz)		(Note 10)	90	105		dB
Channel Gain Mismatch				0.0	0.3	dB

Note 10. Inter-channel isolation with -1dBFS signal input.

Note 11. MGNL/R[3:0] bits = 0h (0dB). Input full-scale voltage is proportional to AVDD (0.7 x AVDD).

Note 12. MGNL/R[3:0] bits = 9h (+18dB). Input full-scale voltage is proportional to AVDD (0.088 x AVDD).

Note 13. -0.7dBFS is output when fs=192kHz and ADC1 digital filter is set to Slow Roll-Off or Short Delay Slow Roll-Off filter.

Note 14. In the case of inputting -1.6dBFS when fs=192kHz and ADC1 digital filter is set to Slow Roll-Off or Short Delay Slow Roll-Off filter.

4. ADC2

(Ta=25°C; AVDD=LVDD=TVDD1=TVDD2=VDD33=3.3V; AVSS= DVSS1=DVSS2=DVSS3=0V; Signal Frequency=1kHz; 24-bit Data, BICK = 64fs; Measurement Frequency=20Hz ~ 20kHz @ fs=48kHz; Measurement Frequency=20Hz ~ 40kHz @ fs=96kHz and fs=192kHz, Differential Input, Unless otherwise specified.)

ADC2	Parameter	min	typ	max	Unit
		Resolution			24
	Input Impedance	14	20	26	kΩ
Input Voltage (Note 18)	Differential Input (Note 15)	±2.1	±2.3	±2.5	V _{pp}
	Single-ended Input (Note 16)	2.1	2.3	2.5	V _{pp}
	Pseudo Differential Input (Note 17)	2.1	2.3	2.5	V _{pp}
S/(N+D) (-1dBFS)	fs=48kHz	80	90		dB
	fs=96kHz		87		
	fs=192kHz (Note 19)		87		
Dynamic Range (-60dBFS)	fs=48kHz (A-weighted)	94	102		dB
	fs=96kHz		95		
	fs=192kHz		95		
S/N	fs=48kHz (A-weighted)	94	102		dB
	fs=96kHz		95		
	fs=192kHz		95		
	Inter-Channel Isolation (fin=1kHz) (Note 10)	90	105		dB
	Channel Gain Mismatch		0.0	0.3	dB

Note 15. AIN2LP, AIN2LN, AIN2RP and AIN2RN pins.

Note 16. AIN3L, AIN3R, AIN4L and AIN4R pins.

Note 17. AIN5L and AIN5R pins.

Note 18. -0.7dBFS is output when fs=192kHz and ADC2 digital filter is set to Slow Roll-Off or Short Delay Slow Roll-Off filter.

Note 19. In the case of inputting -1.6dBFS when fs=192kHz and ADC2 digital filter is set to Slow Roll-Off or Short Delay Slow Roll-Off filter.

5. ADCM

(Ta=25°C; AVDD=LVDV=TVDD1=TVDD2=VDD33=3.3V; AVSS= DVSS1=DVSS2=DVSS3=0V; Signal Frequency=1kHz; 24-bit Data, BICK = 64fs; Measurement Frequency=20Hz ~ 20kHz @ fs=48kHz; Measurement Frequency=20Hz ~ 40kHz @ fs=96kHz and fs=192kHz, Differential Input, Unless otherwise specified.)

ADCM	Parameter	min	typ	max	Unit
	Resolution				24
Input Impedance		14	20	26	kΩ
Input Voltage (Note 22)	Differential Input (Note 20)	±2.1	±2.3	±2.5	Vpp
	Single-ended Input (Note 21)	2.1	2.3	2.5	Vpp
S/(N+D) (-1dBFS)	fs=48kHz	80	90		dB
	fs=96kHz		87		
	fs=192kHz (Note 23)		87		
Dynamic Range (-60dBFS)	fs=48kHz (A-weighted)	94	102		dB
	fs=96kHz		95		
	fs=192kHz		95		
S/N	fs=48kHz (A-weighted)	94	102		dB
	fs=96kHz		95		
	fs=192kHz		95		

Note 20. AINMP and AINMN pins.

Note 21. AINM pin.

Note 22. -0.7dBFS is output when fs=192kHz and ADCM digital filter is set to Slow Roll-Off or Short Delay Slow Roll-Off filter.

Note 23. In the case of inputting -1.6dBFS when fs=192kHz and ADCM digital filter is set to Slow Roll-Off or Short Delay Slow Roll-Off filter.

6. DAC

(Ta=25°C; AVDD= LVDD =TVDD1=TVDD2= VDD33=3.3V; AVSS= DVSS1=DVSS2=DVSS3=0V; Signal Frequency=1kHz; 32-bit Data, BICK = 64fs; Measurement Frequency=20Hz ~ 20kHz @ fs=48kHz; Measurement Frequency=20Hz ~ 40kHz @ fs=96kHz and fs=192kHz; Unless otherwise specified.)

DAC1 DAC2	Parameter	min	typ	max	Unit
	Resolution				32
Output Voltage	(Note 24)	2.55	2.83	3.11	Vpp
S/(N+D) (0dBFS)	fs=48kHz	80	91		dB
	fs=96kHz		89		
	fs=192kHz		89		
Dynamic Range (-60dBFS)	fs=48kHz (A-weighted)	100	108		dB
	fs=96kHz		101		
	fs=192kHz		101		
S/N	fs=48kHz (A-weighted)	100	108		dB
	fs=96kHz		101		
	fs=192kHz		101		
Inter-Channel Isolation (fin=1kHz)	(Note 25)	90	110		dB
Channel Gain Mismatch			0.0	0.7	dB
Load Resistance	(Note 26)	10			kΩ
Load Capacitance				30	pF

Note 24. The output voltage when 0dBFS signal input. The output voltage is proportional to AVDD (AVDD x 0.86).

Note 25. Inter-channel isolation between each DAC of Lch and Rch with 0dBFS signal input. (AOUT1L and AOUT1R, and AOUT2L and AOUT2R)

Note 26. to AC load

7. SRC

(Ta=25°C; AVDD=LVDD=TVDD1=TVDD2=VDD33=3.3V; AVSS= DVSS1=DVSS2=DVSS3=0V;
Signal Frequency=1kHz; 24-bit Data; Measurement Frequency=20Hz ~ FSO/2)

Parameter	Symbol	min	typ	max	Unit		
Resolution				24	Bit		
Input Sample Rate	FSI	8		192 (Note 27)	kHz		
Output Sample Rate	FSO	8		192	kHz		
THD+N (Input=1kHz, 0dBFS)	FSO/FSI=192kHz/48kHz		-113	-103	dB		
	FSO/FSI=192kHz/44.1kHz		-113		dB		
	FSO/FSI=44.1kHz/48kHz		-112		dB		
	FSO/FSI=44.1kHz/96kHz		-111		dB		
	FSO/FSI=48kHz/44.1kHz		-112		dB		
	FSO/FSI=48kHz/96kHz		-113		dB		
	FSO/FSI=48kHz/8kHz		-111		dB		
	FSO/FSI=16kHz/48kHz		-113		dB		
	FSO/FSI=16kHz/44.1kHz		-100		dB		
	FSO/FSI=8kHz/48kHz		-113		dB		
	FSO/FSI=8kHz/44.1kHz		-95		dB		
	FSO/FSI=48kHz/192kHz		-105		dB		
	FSO/FSI=44.1kHz/192kHz		-102		dB		
	Dynamic Range (Input=1kHz, -60dBFS)	FSO/FSI=192kHz/48kHz			113		dB
		FSO/FSI=192kHz/44.1kHz			113		dB
		FSO/FSI=44.1kHz/48kHz			113		dB
FSO/FSI=44.1kHz/96kHz			113		dB		
FSO/FSI=48kHz/44.1kHz		108	113		dB		
FSO/FSI=48kHz/96kHz			113		dB		
FSO/FSI=48kHz/8kHz			113		dB		
FSO/FSI=16kHz/48kHz			113		dB		
FSO/FSI=16kHz/44.1kHz			113		dB		
FSO/FSI=8kHz/48kHz			111		dB		
FSO/FSI=8kHz/44.1kHz			114		dB		
FSO/FSI=48kHz/192kHz			111		dB		
FSO/FSI=44.1kHz/192kHz		110		dB			
Dynamic Range (Input=1kHz, -60dBFS, A-weighted)							
	FSO/FSI=44.1kHz/48kHz		115		dB		
Ratio between Input and Output Sample Rate	FSO/FSI	0.167		6	-		

Note 27. Set FSI frequency of each operating SRC as the sum of the frequencies is below 384kHz. For example, if the frequency of FSI is 96kHz, four SRCs can operate at the same time, if the frequency of FSI is 192kHz, only two SRCs are allowed to operate at the same time.

8. FSCONV

(Ta=25°C; AVDD=LVDD=TVDD1=TVDD2=VDD33=3.3V; AVSS= DVSS1=DVSS2=DVSS3=0V;

Signal Frequency=1kHz; 24-bit Data; Measurement Frequency=20Hz ~ FSO/2)

FSCONV	Parameter	Symbol	min	typ	max	Unit
	Resolution				24	Bit
	Input Sample Rate	FSI	44.1		48	kHz
	Output Sample Rate	FSO	8		16	kHz
	THD+N (Input=1kHz, 0dBFS)					
	FSO/FSI=16kHz/48kHz			-114		dB
	FSO/FSI=16kHz/44.1kHz			-95		dB
	FSO/FSI=8kHz/48kHz			-115		dB
	FSO/FSI=8kHz/44.1kHz			-97		dB
	Dynamic Range (Input=1kHz, -60dBFS)					
FSO/FSI=16kHz/48kHz			114		dB	
FSO/FSI=16kHz/44.1kHz			114		dB	
FSO/FSI=8kHz/48kHz			114		dB	
FSO/FSI=8kHz/44.1kHz			114		dB	
Dynamic Range (Input=1kHz, -60dBFS, A-weighted)						
FSO/FSI=8kHz/48kHz			117		dB	
Ratio between Input and Output Sample Rate	FSO/FSI	0.167			0.363	-

■ Power Consumption

(Ta=25°C; AVDD=3.0~3.6V(typ=3.3V, max=3.6V); LVDD=3.0~3.6V(typ=3.3V, max=3.6V);

TVDD1=1.7~3.6V(typ=3.3V, max=3.6V); TVDD2=1.7~3.6V (typ=3.3V, max=3.6V); VDD33=3.0~3.6V

(typ=3.3V, max=3.6V); AVSS= DVSS1=DVSS2=DVSS3=0V; fs=192kHz; BICK=64fs;

SDOUT1~6/LRCK1~5/BICK1~5=Output; CL=20pF)

Parameter	Symbol	min	typ	max	Unit
Power-Up (PDN pin= "H") (Note 28)	AVDD		26	37	mA
	LVDD		70	140	mA
	TVDD1		1.6	2.4	mA
	TVDD2		1.6	2.4	mA
	VDD33		4	6	mA
Power-Down (PDN pin= "L")	AVDD		0.01		mA
	LVDD		0.01		mA
	TVDD1		0.01		mA
	TVDD2		0.01		mA
	VDD33		0.01		mA

Note 28. The current of LVDD changes depending on the system frequency and contents of DSP program.

9. Digital Filter Characteristics

1. ADC Block

(Ta=25°C; AVDD=3.0~3.6V; LVDD=3.0~3.6V; TVDD1=1.7~3.6V; TVDD2=1.7~3.6V;
VDD33=3.0~3.6V; AVSS=DVSS1=DVSS2=DVSS3=0V)

1-1 Sharp Roll-Off Filter (ADSD bit = "0", ADSL bit = "0")

fs=48kHz

Parameter	Symbol	min	typ	max	Unit
SHARP ROLL-OFF					
Passband (Note 29)	0dB ~ -0.06dB	PB	0	22.1	kHz
	-6.0dB	PB	24.4		kHz
Stopband (Note 29)	SB	27.8			kHz
Stopband Attenuation	SA	85			dB
Group Delay Distortion : 0Hz~20kHz	ΔGD		0		1/fs
Group Delay (Note 30)	GD		19		1/fs
ADC Digital Filter(HPF)					
Frequency Response	-3.0dB	FR	1.0		Hz

fs=96kHz

Parameter	Symbol	min	typ	max	Unit
SHARP ROLL-OFF					
Passband (Note 29)	0dB ~ -0.06dB	PB	0	44.2	kHz
	-6.0dB	PB	48.7		kHz
Stopband (Note 29)	SB	55.6			kHz
Stopband Attenuation	SA	85			dB
Group Delay Distortion : 0Hz~40kHz	ΔGD		0		1/fs
Group Delay (Note 30)	GD		19		1/fs
ADC Digital Filter(HPF)					
Frequency Response	-3.0dB	FR	1.9		Hz

fs=192kHz

Parameter	Symbol	min	typ	max	Unit
SHARP ROLL-OFF					
Passband (Note 29)	0dB ~ -0.04dB	PB	0	83.7	kHz
	-6.0dB	PB	100.1		kHz
Stopband (Note 29)	SB	122.9			kHz
Stopband Attenuation	SA	85			dB
Group Delay Distortion : 0Hz~40kHz	ΔGD		0		1/fs
Group Delay (Note 30)	GD		15		1/fs
ADC Digital Filter(HPF)					
Frequency Response	-3.0dB	FR	3.9		Hz

1-2 Slow Roll-Off Filter (ADSD bit = “0”, ADSL bit = “1”)

fs=48kHz

Parameter		Symbol	min	typ	max	Unit
SLOW ROLL-OFF						
Passband (Note 29)	0dB ~ -0.074dB	PB	0		12.5	kHz
	-6.0dB	PB		21.9		kHz
Stopband (Note 29)		SB	36.5			kHz
Stopband Attenuation		SA	85			dB
Group Delay Distortion : 0Hz~20kHz		Δ GD		0		1/fs
Group Delay (Note 30)		GD		7		1/fs
ADC Digital Filter(HPF)						
Frequency Response	-3.0dB	FR		1.0		Hz

fs=96kHz

Parameter		Symbol	min	typ	max	Unit
SLOW ROLL-OFF						
Passband (Note 29)	0dB ~ -0.074dB	PB	0		25	kHz
	-6.0dB	PB		43.7		kHz
Stopband (Note 29)		SB	73			kHz
Stopband Attenuation		SA	85			dB
Group Delay Distortion : 0Hz~40kHz		Δ GD		0		1/fs
Group Delay (Note 30)		GD		7		1/fs
ADC Digital Filter(HPF)						
Frequency Response	-3.0dB	FR		1.9		Hz

fs=192kHz

Parameter		Symbol	min	typ	max	Unit
SLOW ROLL-OFF						
Passband (Note 29)	0dB ~ -0.7dB	PB	0		49.9	kHz
	-6.0dB	PB		79.9		kHz
Stopband (Note 29)		SB	146			kHz
Stopband Attenuation		SA	85			dB
Group Delay Distortion : 0Hz~40kHz		Δ GD		0		1/fs
Group Delay (Note 30)		GD		8		1/fs
ADC Digital Filter(HPF)						
Frequency Response	-3.0dB	FR		3.88		Hz

1-3 Short Delay Sharp Roll-Off Filter (ADSD bit = "1", ADSL bit = "0")

fs=48kHz

Parameter		Symbol	min	typ	max	Unit
SHORT DELAY SHARP ROLL-OFF						
Passband (Note 29)	0dB ~ -0.06dB	PB	0		22.1	kHz
	-6.0dB	PB		24.4		kHz
Stopband (Note 29)		SB	27.8			kHz
Stopband Attenuation		SA	85			dB
Group Delay Distortion : 0Hz~20kHz		Δ GD			2.6	1/fs
Group Delay (Note 30)		GD		5		1/fs
ADC Digital Filter(HPF)						
Frequency Response	-3.0dB	FR		1.0		Hz

fs=96kHz

Parameter		Symbol	min	typ	max	Unit
SHORT DELAY SHARP ROLL-OFF						
Passband (Note 29)	0dB ~ -0.06dB	PB	0		44.2	kHz
	-6.0dB	PB		48.7		kHz
Stopband (Note 29)		SB	55.6			kHz
Stopband Attenuation		SA	85			dB
Group Delay Distortion : 0Hz~40kHz		Δ GD			2.6	1/fs
Group Delay (Note 30)		GD		5		1/fs
ADC Digital Filter(HPF)						
Frequency Response	-3.0dB	FR		1.9		Hz

fs=192kHz

Parameter		Symbol	min	typ	max	Unit
SHORT DELAY SHARP ROLL-OFF						
Passband (Note 29)	0dB ~ -0.04dB	PB	0		83.7	kHz
	-6.0dB	PB		100.1		kHz
Stopband (Note 29)		SB	122.9			kHz
Stopband Attenuation		SA	85			dB
Group Delay Distortion : 0Hz~40kHz		Δ GD			0.2	1/fs
Group Delay (Note 30)		GD		6		1/fs
ADC Digital Filter(HPF)						
Frequency Response	-3.0dB	FR		3.88		Hz

1-4 Short Delay Slow Roll-Off Filter (ADSD bit = "1", ADSL bit = "1")

fs=48kHz

Parameter		Symbol	min	typ	max	Unit
SHORT DELAY SLOW ROLL-OFF						
Passband (Note 29)	0dB ~ -0.074dB	PB	0		12.5	kHz
	-6.0dB	PB		21.9		kHz
Stopband (Note 29)		SB	36.5			kHz
Stopband Attenuation		SA	85			dB
Group Delay Distortion : 0Hz~20kHz		Δ GD			2.6	1/fs
Group Delay (Note 30)		GD		5		1/fs
ADC Digital Filter(HPF)						
Frequency Response	-3.0dB	FR		1.0		Hz

fs=96kHz

Parameter		Symbol	min	typ	max	Unit
SHORT DELAY SLOW ROLL-OFF						
Passband (Note 29)	0dB ~ -0.074dB	PB	0		25	kHz
	-6.0dB	PB		43.7		kHz
Stopband (Note 29)		SB	73			kHz
Stopband Attenuation		SA	85			dB
Group Delay Distortion : 0Hz~40kHz		Δ GD			2.6	1/fs
Group Delay (Note 30)		GD		5		1/fs
ADC Digital Filter(HPF)						
Frequency Response	-3.0dB	FR		1.9		Hz

fs=192kHz

Parameter		Symbol	min	typ	max	Unit
SHORT DELAY SLOW ROLL-OFF						
Passband (Note 29)	0dB ~ -0.7dB	PB	0		49.9	kHz
	-6.0dB	PB		77.7		kHz
Stopband (Note 29)		SB	145.9			kHz
Stopband Attenuation		SA	85			dB
Group Delay Distortion : 0Hz~40kHz		Δ GD			0.5	1/fs
Group Delay (Note 30)		GD		6		1/fs
ADC Digital Filter(HPF)						
Frequency Response	-3.0dB	FR		3.88		Hz

Note 29. The passband and stopband frequencies are proportional to fs (sampling rate). High-pass filter characteristics are not included.

Note 30. Delay time caused by the digital filter calculation. This time is measured from an analog signal input until 24-bit data of both channels are set into the output register.

2. DAC Block

(Ta= 25°C; AVDD=3.0~3.6V; LVDD=3.0~3.6V; TVDD1=1.7~3.6V; TVDD2=1.7~3.6V;
VDD3=3.0~3.6V; AVSS=DVSS1=DVSS2=DVSS3=0V)

2-1 Sharp Roll-Off Filter (DASD bit = "0", DASL bit = "0")

fs=48kHz

Parameter		Symbol	min	typ	max	Unit
SHARP ROLL-OFF						
Passband (Note 31)	-0.08dB~+0.08dB	PB	0		22.2	kHz
	-6.0dB	PB		23.99		kHz
Passband Ripple		PR	-0.08		+0.08	dB
Stopband (Note 31)		SB	26.2			kHz
Stopband Attenuation		SA	69.9			dB
Group Delay (Note 32)		GD		26.4		1/fs
Digital Filter + SCF						
Frequency Response : 0Hz ~ 20kHz		FR	-0.20		0.10	dB

fs=96kHz

Parameter		Symbol	min	typ	max	Unit
SHARP ROLL-OFF						
Passband (Note 31)	-0.08dB~+0.08dB	PB	0		44.4	kHz
	-6.0dB	PB		48.00		kHz
Passband Ripple		PR	-0.08		+0.08	dB
Stopband (Note 31)		SB	52.5			kHz
Stopband Attenuation		SA	69.8			dB
Group Delay (Note 32)		GD		26.4		1/fs
Digital Filter + SCF						
Frequency Response : 0Hz ~ 40kHz		FR	-0.50		0.10	dB

fs=192kHz

Parameter		Symbol	min	typ	max	Unit
SHARP ROLL-OFF						
Passband (Note 31)	-0.08dB~+0.08dB	PB	0		88.8	kHz
	-6.0dB	PB		96.00		kHz
Passband Ripple		PR	-0.08		+0.08	dB
Stopband (Note 31)		SB	104.9			kHz
Stopband Attenuation		SA	69.8			dB
Group Delay (Note 32)		GD		26.4		1/fs
Digital Filter + SCF						
Frequency Response : 0Hz ~ 80kHz		FR	-2.00		-0.00	dB

2-2 Slow Roll-Off Filter (DASD bit = "0", DASL bit = "1")

fs=48kHz

Parameter		Symbol	min	typ	max	Unit
SLOW ROLL-OFF						
Passband (Note 31)	-0.07dB~ +0.021dB	PB	0		9.0	kHz
	-3.0dB	PB		19.75		kHz
Passband Ripple		PR	-0.07		+0.021	dB
Stopband	(Note 31)	SB	42.6			kHz
Stopband Attenuation	(Note 33)	SA	72.6			dB
Group Delay	(Note 32)	GD		26.4		1/fs
Digital Filter + SCF						
Frequency Response : 0Hz ~ 20kHz		FR	-3.75		-2.75	dB

fs=96kHz

Parameter		Symbol	Min	typ	max	Unit
SLOW ROLL-OFF						
Passband (Note 31)	-0.07dB~+0.023dB	PB	0		18.1	kHz
	-3.0dB	PB		39.6		kHz
Passband Ripple		PR	-0.07		+0.023	dB
Stopband	(Note 31)	SB	85.1			kHz
Stopband Attenuation	(Note 33)	SA	72.6			dB
Group Delay	(Note 32)	GD		26.4		1/fs
Digital Filter + SCF						
Frequency Response : 0Hz ~ 40kHz		FR	-4.25		-2.75	dB

fs=192kHz

Parameter		Symbol	min	typ	max	Unit
SLOW ROLL-OFF						
Passband (Note 31)	-0.07dB~+0.023dB	PB	0		36.1	kHz
	-3.0dB	PB		79.3		kHz
Passband Ripple		PR	-0.07		+0.023	dB
Stopband	(Note 31)	SB	170.3			kHz
Stopband Attenuation	(Note 33)	SA	72.6			dB
Group Delay	(Note 32)	GD		26.4		1/fs
Digital Filter + SCF						
Frequency Response : 0Hz ~ 80kHz		FR	-5.00		-3.00	dB

2-3 Short Delay Sharp Roll-Off Filter (DASD bit = "1", DASL bit = "0")

fs=48kHz

Parameter		Symbol	min	typ	max	Unit
SHORT DELAY SHARP ROLL-OFF						
Passband (Note 31)	-0.07dB~+0.07dB	PB	0		22.0	kHz
	-6.0dB	PB		24.11		kHz
Passband Ripple		PR	-0.07		+0.07	dB
Stopband (Note 31)		SB	26.2			kHz
Stopband Attenuation		SA	56.6			dB
Group Delay (Note 32)		GD		5.9		1/fs
Digital Filter + SCF						
Frequency Response : 0Hz ~ 20kHz		FR	-0.20		0.10	dB

fs=96kHz

Parameter		Symbol	min	typ	max	Unit
SHORT DELAY SHARP ROLL-OFF						
Passband (Note 31)	-0.08dB~+0.08dB	PB	0		44.3	kHz
	-6.0dB	PB		48.25		kHz
Passband Ripple		PR	-0.08		+0.08	dB
Stopband (Note 31)		SB	52.5			kHz
Stopband Attenuation		SA	56.4			dB
Group Delay (Note 32)		GD		5.9		1/fs
Digital Filter + SCF						
Frequency Response : 0Hz ~ 40kHz		FR	-0.50		0.10	dB

fs=192kHz

Parameter		Symbol	Min	typ	max	Unit
SHORT DELAY SHARP ROLL-OFF						
Passband (Note 31)	-0.08dB~+0.08dB	PB	0		88.6	kHz
	-6.0dB	PB		96.50		kHz
Passband Ripple		PR	-0.08		+0.08	dB
Stopband (Note 31)		SB	104.9			kHz
Stopband Attenuation		SA	56.4			dB
Group Delay (Note 32)		GD		5.9		1/fs
Digital Filter + SCF						
Frequency Response : 0Hz ~ 80kHz		FR	-2.00		-0.00	dB

2-4 Short Delay Slow Roll-Off Filter (DASD bit = "1", DASL bit = "1")

fs=48kHz

Parameter		Symbol	min	typ	max	Unit
SHORT DELAY SLOW ROLL-OFF						
Passband (Note 31)	-0.07dB~+0.05dB	PB	0		10.1	kHz
	-3.0dB	PB		20.24		kHz
Passband Ripple		PR	-0.07		+0.05	dB
Stopband (Note 31)		SB	43.0			kHz
Stopband Attenuation (Note 33)		SA	74.9			dB
Group Delay (Note 32)		GD		5.2		1/fs
Digital Filter + SCF						
Frequency Response : 0Hz ~ 20kHz		FR	-3.50		-2.50	dB

fs=96kHz

Parameter		Symbol	min	typ	max	Unit
SHORT DELAY SLOW ROLL-OFF						
Passband (Note 31)	-0.07dB~+0.05dB	PB	0		20.3	kHz
	-3.0dB	PB		40.50		kHz
Passband Ripple		PR	-0.07		+0.05	dB
Stopband (Note 31)		SB	86.0			kHz
Stopband Attenuation (Note 33)		SA	74.9			dB
Group Delay (Note 32)		GD		5.2		1/fs
Digital Filter + SCF						
Frequency Response : 0Hz ~ 40kHz		FR	-4.00		-2.50	dB

fs=192kHz

Parameter		Symbol	min	typ	max	Unit
SHORT DELAY SHARP ROLL-OFF						
Passband (Note 31)	-0.07dB~+0.05dB	PB	0		40.6	kHz
	-3.0dB	PB		81.00		kHz
Passband Ripple		PR	-0.07		+0.05	dB
Stopband (Note 31)		SB	172.0			kHz
Stopband Attenuation (Note 33)		SA	74.9			dB
Group Delay (Note 32)		GD		5.2		1/fs
Digital Filter + SCF						
Frequency Response : 0Hz ~ 80kHz		FR	-4.75		-2.75	dB

Note 31. The passband and stopband frequencies are proportional to fs (sampling rate).

Note 32. Delay time caused by the digital filter calculation. This time is measured from setting of the 16/24/32-bit impulse data to the input registers to output of the analog peak signal.

Note 33. Band width of Stopband Attenuation ranges from SB to fs.

3. SRC Block

(Ta=25°C; AVDD=3.0~3.6V; LVDD=3.0~3.6V; TVDD1=1.7~3.6V; TVDD2=1.7~3.6V; VDD33=3.0~3.6V; AVSS=DVSS1=DVSS2=DVSS3=0V)

Parameter	Symbol	min	typ	max	Unit	
Passband	-0.01dB	$0.980 \leq \text{FSO/FSI} \leq 6.000$	PB	0	0.4583FSI	kHz
	-0.01dB	$0.900 \leq \text{FSO/FSI} < 0.990$	PB	0	0.4167FSI	kHz
	-0.01dB	$0.533 \leq \text{FSO/FSI} < 0.909$ (Note 35)	PB	0	0.2182FSI	kHz
	-0.50dB	$0.533 \leq \text{FSO/FSI} < 0.909$ (Note 36)	PB	0	0.3007FSI	kHz
	-0.01dB	$0.490 \leq \text{FSO/FSI} < 0.539$	PB	0	0.2177FSI	kHz
	-0.01dB	$0.450 \leq \text{FSO/FSI} < 0.495$	PB	0	0.1948FSI	kHz
	-0.01dB	$0.225 \leq \text{FSO/FSI} < 0.455$	PB	0	0.1312FSI	kHz
	-0.50dB	$0.167 \leq \text{FSO/FSI} < 0.227$	PB	0	0.0658FSI	kHz
Stopband		$0.980 \leq \text{FSO/FSI} \leq 6.000$	SB	0.5417FSI		kHz
		$0.900 \leq \text{FSO/FSI} < 0.990$	SB	0.5021FSI		kHz
		$0.533 \leq \text{FSO/FSI} < 0.909$ (Note 35)	SB	0.2974FSI		kHz
		$0.533 \leq \text{FSO/FSI} < 0.909$ (Note 36)	SB	0.3320FSI		kHz
		$0.490 \leq \text{FSO/FSI} < 0.539$	SB	0.2812FSI		kHz
		$0.450 \leq \text{FSO/FSI} < 0.495$	SB	0.2604FSI		kHz
		$0.225 \leq \text{FSO/FSI} < 0.455$	SB	0.1802FSI		kHz
		$0.167 \leq \text{FSO/FSI} < 0.227$	SB	0.0970FSI		kHz
Passband Ripple		$0.900 \leq \text{FSO/FSI} \leq 6.000$	PR		±0.01	dB
		$0.533 \leq \text{FSO/FSI} < 0.909$ (Note 35)	PR		±0.01	dB
		$0.533 \leq \text{FSO/FSI} < 0.909$ (Note 36)	PR		±0.50	dB
		$0.225 \leq \text{FSO/FSI} \leq 0.539$	PR		±0.01	dB
		$0.167 \leq \text{FSO/FSI} < 0.227$	PR		±0.50	dB
Stopband Attenuation		$0.900 \leq \text{FSO/FSI} \leq 6.000$	SA	95.2		dB
		$0.533 \leq \text{FSO/FSI} < 0.909$ (Note 35)	SA	95.2		dB
		$0.533 \leq \text{FSO/FSI} < 0.909$ (Note 36)	SA	90.0		dB
		$0.450 \leq \text{FSO/FSI} \leq 0.539$	SA	95.2		dB
		$0.225 \leq \text{FSO/FSI} < 0.455$	SA	90.0		dB
		$0.167 \leq \text{FSO/FSI} < 0.227$	SA	85.0		dB
Group Delay (Ts=1/fs) (Note 34)		GD		61 (54/FSI+ 7/FSO)		Ts

Note 34. This value is SRC block only. It is the time from a rising edge of input LRCK after data is input to a rising edge of output LRCK just before the data is output when there is no phase difference between input and output LRCK.

Note 35. In the case of SRCFAUD bit = "1"

Note 36. In the case of SRCFAUD bit = "0"

4. FSCONV

(Ta=25°C; AVDD=3.0~3.6V; LVDD=3.0~3.6V; TVDD1=1.7~3.6V; TVDD2=1.7~3.6V;
VDD33=3.0~3.6V; AVSS=DVSS1=DVSS2=DVSS3=0V)

Parameter			Symbol	min	typ	max	Unit
Passband	-0.01dB	$0.167 \leq \text{FSO/FSI} \leq 0.363$	PB	0		0.1814FSI	kHz
Stopband		$0.167 \leq \text{FSO/FSI} \leq 0.363$	SB	0.8185FSI			kHz
Passband Ripple		$0.167 \leq \text{FSO/FSI} \leq 0.363$	PR			±0.005	dB
Stopband Attenuation		$0.167 \leq \text{FSO/FSI} \leq 0.363$	SA	94.0			dB
Group Delay (Ts=1/FSI) (Note 37)			GD		9		Ts

Note 37. It is the time from a rising edge of input LRCK after data is input to a rising edge of output LRCK just before the data is output when there is no phase difference between input and output LRCK.

10. DC Characteristics

■ DC Characteristics

(Ta=25°C; AVDD=3.0~3.6V; LVDD=3.0~3.6V; TVDD1=1.7~3.6V; TVDD2=1.7~3.6V; VDD33=3.0~3.6V; AVSS=DVSS1=DVSS2=DVSS3=0V)

Parameter	Symbol	min	typ	max	Unit
High-Level Input Voltage 1 (Note 38)	VIH1	80%TVDD1			V
Low-Level Input Voltage 1 (Note 38)	VIL1			20%TVDD1	V
High-Level Input Voltage 2 (Note 39)	VIH2	80%TVDD2			V
Low-Level Input Voltage 2 (Note 39)	VIL2			20%TVDD2	V
High-Level Input Voltage 3 (Note 40)	VIH3	80%VDD33			V
Low-Level Input Voltage 3 (Note 40)	VIL3			20%VDD33	V
SCL, SDA High-Level Input Voltage	VIH4	70%TVDD2			V
SCL, SDA Low-Level Input Voltage	VIL4			30%TVDD2	V
High-Level Output Voltage Iout= -100μA (Note 38)	VOH1	TVDD1-0.3			V
Low-Level Output Voltage Iout=100μA (Note 38)	VOL1			0.3	V
High-Level Output Voltage Iout= -100μA (Note 39)	VOH2	TVDD2-0.3			V
Low-Level Output Voltage Iout=100μA (Note 39)	VOL2			0.3	V
High-Level Output Voltage Iout= -100μA (Note 40)	VOH3	VDD33-0.3			V
Low-Level Output Voltage Iout=100μA (Note 40)	VOL3			0.3	V
SCL, SDA Low Level Output Voltage	Fast Mode				
	TVDD2 ≥ 2.0V (Iout=3mA)	VOL4		0.4	V
	TVDD2 < 2.0V (Iout=3mA)	VOL4		20%TVDD2	V
	Fast Mode Plus				
	TVDD2 ≥ 2.0V (Iout=20mA)	VOL4		0.4	V
	TVDD2 < 2.0V (Iout=3mA)	VOL4		20%TVDD2	V
Input Leak Current (Note 41)	Iin			±10	μA
Input Leak Current, Pulled down pin Power Down (Note 42)	Iid		66		μA
Input Leak Current, Pulled down pin Power Down Release (Note 43)	Iid		72		μA
Input Leak Current, TESTI pin	lid		132		μA
Input Leak Current, XTI pin	lix		17		μA

Note 38. SDIN1, SDIN2/JX0, SDOUT1, SDOUT2/GPO0, LRCK1, BICK1, LRCK2 and BICK2 pins.

Note 39. SDIN3/JX1, SDIN4, SDOUT3/GPO1, STO/RDY/SDOUT4, LRCK3/JX2, BICK3/JX3, LRCK4, BICK4, PDN, SCLK/SCL, SO/SDA, CSN, and SI/I2CFIL pins. The SCL and SDA pins are not included.

Note 40. SDIN5/JX0, SDIN6, SDOUT5/GPO2, SDOUT6/DIT/GPO3, LRCK5, BICK5, CLKO, XTO, XTI and TESTI pins

Note 41. Except internal pulled-down pins and the XTI pin.

Note 42. LRCK5, BICK5, LRCK2, BICK2, LRCK1, BICK1, LRCK3/JX2, BICK3/JX3, LRCK4 and BICK4 pins are internal pulled-down pins (typ. 50 kΩ@3.3V) when the AK7738 is powered down (PDN pin = "L"). The TESTI pin is not included.

Note 43. LRCK5, BICK5, LRCK2, BICK2, LRCK1, BICK1, LRCK3/JX2, BICK3/JX3, LRCK4 and BICK4 pins are internal pulled-down pins (typ. 46 kΩ@3.3V) when power-down is released (PDN pin = "H"). The TESTI pin is not included.

11. Switching Characteristics

1. System Clock

(Ta=25°C; AVDD=3.0~3.6V; LVDD=3.0~3.6V; TVDD1=1.7~3.6V; TVDD2=1.7~3.6V; VDD33=3.0~3.6V; AVSS=DVSS1=DVSS2=DVSS3=0V; CL=20pF)

Parameter	Symbol	min	typ	max	Unit
XTI Input Timing					
a) X'tal Oscillator					
Input Frequency	fXTI	11.2896		18.432	MHz
b) XTI Clock Input					
Duty Cycle		40	50	60	%
Input Frequency	fXTI	0.256		24.576	MHz
CLKO Output Timing					
Output Frequency	fCLKO	2.048		24.576	MHz
Duty Cycle	dCLKO		50		%
LRCK/BICK Input Timing (Slave Mode)					
LRCK Input Timing					
Frequency	fs	8		192	kHz
BICK Input Timing					
Frequency (Note 44)	fBCLK	0.256		24.576	MHz
Pulse Width Low	tBCLKL	0.4/fBCLK			ns
Pulse Width High	tBCLKH	0.4/fBCLK			ns
LRCK/BICK Output Timing (PLL Master Mode)					
LRCK Output Timing					
Frequency	fs	8		192	kHz
Pulse Width High					
PCM Mode	tLRCKH		1/fBCLK		ns
Except PCM Mode	tLRCKH		50		%
BICK Output Timing					
Frequency (Note 44)	fBCLK	0.256		24.576	MHz
Duty	dBCLK		50		%

Note 44. Required to meet the following expression: $fBCLK \geq 2 \times fs \times (\text{Input/Output Data Length})$.

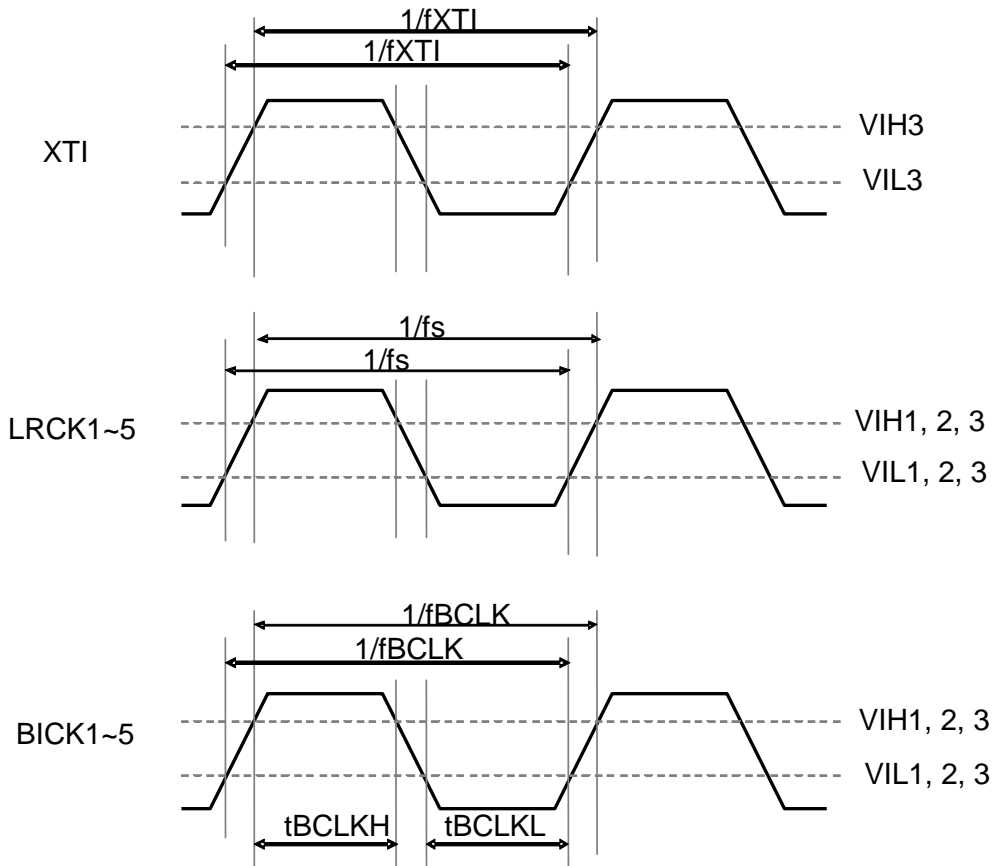


Figure 5. System Clock Timing

2. Power Down

(Ta=25°C; AVDD=3.0~3.6V; LVDD=3.0~3.6V; TVDD1=1.7~3.6V; TVDD2=1.7~3.6V; VDD33=3.0~3.6V; AVSS=DVSS1=DVSS2=DVSS3=0V)

Parameter	Symbol	Min	typ	max	Unit
PDN Pluse Width (Note 45)	tRST	600			ns

Note 45. The PDN pin must be “L” when power up the AK7738.

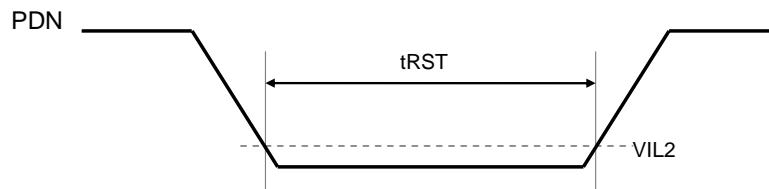


Figure 6. Reset Timing

3. Serial Data Interface (SDIN1 ~ SDIN6, SDOUT1 ~ SDOUT6)

(Ta=25°C; AVDD=3.0~3.6V; LVDD=3.0~3.6V; TVDD1=1.7~3.6V; TVDD2=1.7~3.6V;
VDD33=3.0~3.6V; AVSS=DVSS1=DVSS2=DVSS3=0V; CL=20pF)

Parameter	Symbol	min	typ	max	Unit
Slave Mode					
Delay Time from BICK “↑” to LRCK (Note 46)	tBLRD	10			ns
Delay Time from LRCK to BICK “↑” (Note 46)	tLRBD	10			ns
Serial Data Input Latch Setup Time	tBSIDS	10			ns
Serial Data Input Latch Hold Time	tBSIDH	5			ns
Delay Time from BICK “↓” to Serial Data Output (Note 47)	tBSOD1			20	ns
Delay Time from BICK “↑” to Serial Data Output (Note 46, Note 48)	tBSOD2	5		30	ns
Master Mode					
BICK frequency	fBCLK	-	32, 48, 64, 128, 256	-	fs
BICK Duty cycle			50		%
Delay Time from BICK “↓” to LRCK (Note 47)	tMBL	-10		10	ns
Serial Data Input Latch Setup Time	tBSIDS	20			ns
Serial Data Input Latch Hold Time	tBSIDH	10			ns
Delay Time from BICK “↓” to Serial Data Output (Note 47, Note 48)	tBSOD			10	ns

Note 46. It is measured from BICK “↓” when the BICK polarity is inverted by setting BCKPx bit = “1”.

Note 47. It is measured from BICK “↑” when the BICK polarity is inverted by setting BCKPx bit = “1”.

Note 48. Set SDOPHx bit to “1” and the data should be output based on BICK “↑” when using TDM256 mode with 96kHz sampling frequency in slave mode. SDOPHx bit must be set to “0” in master mode.

3-1. Slave Mode

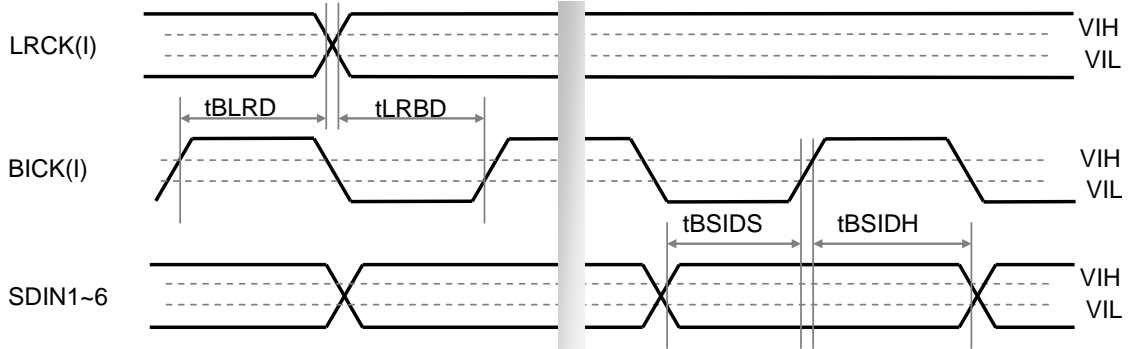


Figure 7. Serial Interface Input Timing in Slave Mode

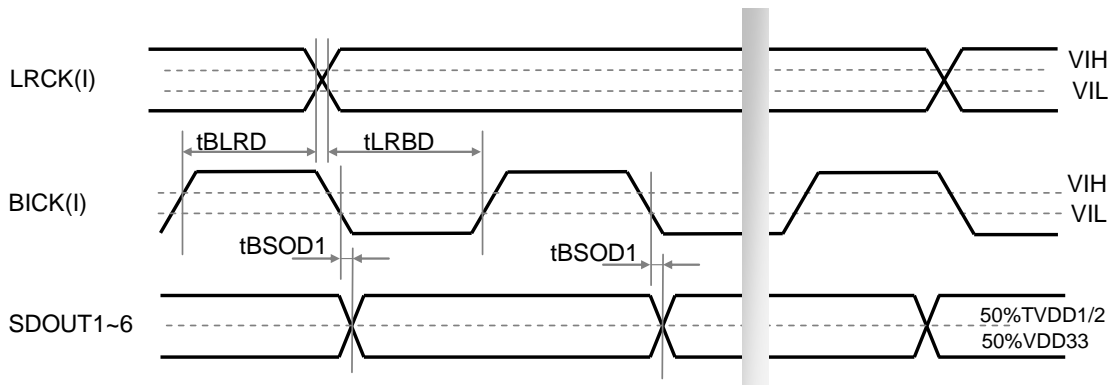


Figure 8. Serial Interface Output Timing in Slave Mode (SDOPHx bit = "0")

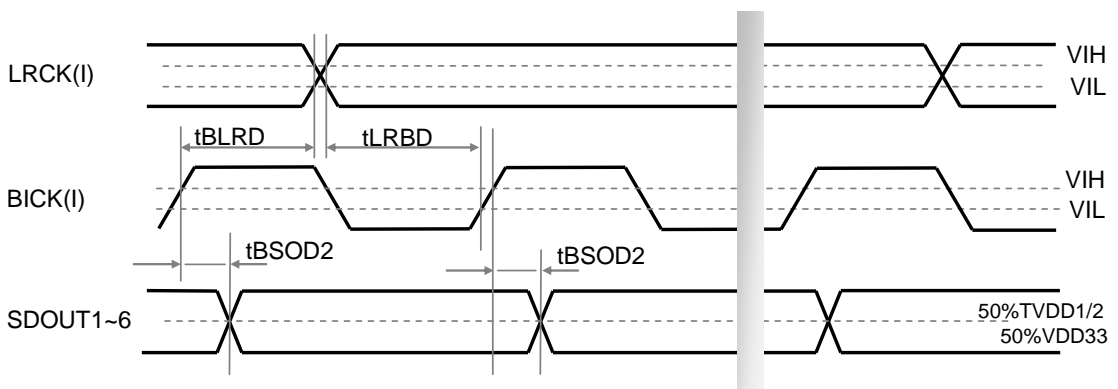


Figure 9. Serial Interface Output Timing in Slave Mode (SDOPHx bit = "1")

3-2. Master Mode

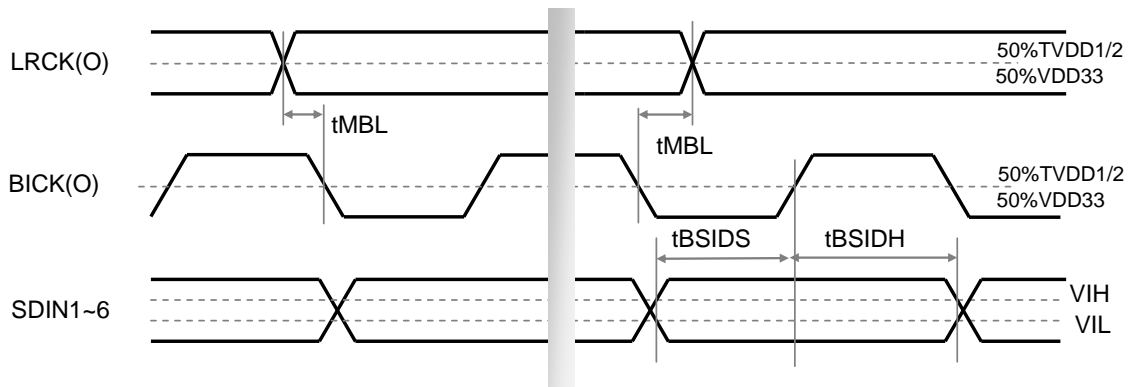


Figure 10. Serial Interface Input Timing in Master Mode

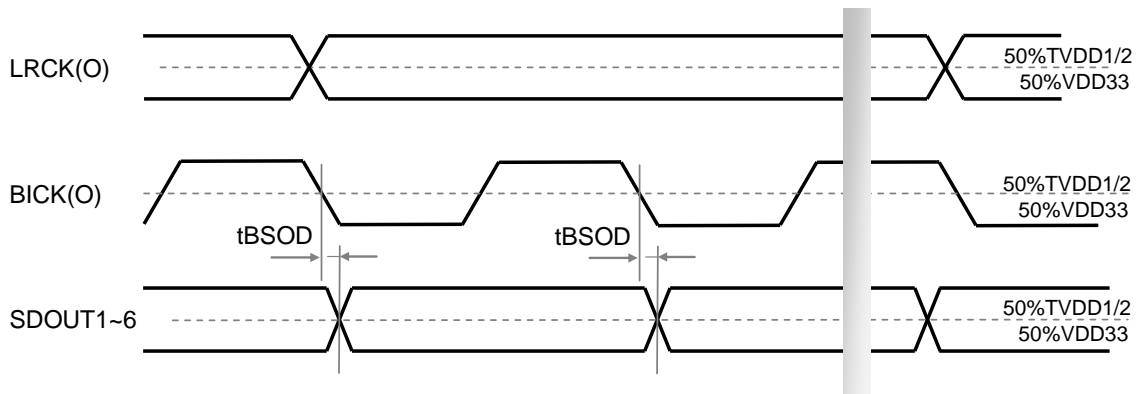


Figure 11. Serial Interface Output Timing in Master Mode (SDOPHx bit = "0")

4. SPI Interface

4-1. Clock Reset (CKRESETN bit = "0")

(Ta=25°C; AVDD=3.0~3.6V; LVDD=3.0~3.6V; TVDD1=1.7~3.6V; TVDD2=1.7~3.6V; VDD33=3.0~3.6V; AVSS=DVSS1=DVSS2=DVSS3=0V; CL=20pF)

Parameter	Symbol	min	typ	max	Unit
μP Interface Signal					
SCLK Frequency (Note 51)	fSCLK			3.5	MHz
SCLK Low-level Width	tSCLKL	120			ns
SCLK High-level Width	tSCLKH	120			ns
Microcontroller → AK7738					
CSN High-level Width	tWRQH	300			ns
From CSN "↑" to PDN "↑"	tRST	360			ns
From PDN "↑" to CSN "↓"	tIRRQ	1			ms
From CSN "↓" to SCLK "↓"	tWSC	300			ns
From SCLK "↑" to CSN "↑"	tSCW	480			ns
SI Latch Setup Time	tSIS	120			ns
SI Latch Hold Time	tSIH	120			ns
AK7738 → Microcontroller					
Delay Time from SCLK "↓" to SO Output	tSOS			120	ns
SO Output Hold Time from SCLK "↑" (Note 49)	tSOH	120			ns

Note 49. Except when writing the 24th bit (8 bits command + 16 bits address) of the command code. This will be the 8th bit (8 bits command) with "write preparation data read command (24H and 25H)".

4-2. PLL Lock (CKRESETN bit = "1" and PLL is locked)

(Ta=25°C; AVDD=3.0~3.6V; LVDD=3.0~3.6V; TVDD1=1.7~3.6V; TVDD2=1.7~3.6V; VDD33=3.0~3.6V; AVSS=DVSS1=DVSS2=DVSS3=0V; CL=20pF)

Parameter	Symbol	min	typ	max	Unit
μP Interface Timing (SPI mode)					
SCLK Frequency (Note 50) (Note 51)	fSCLK			7	MHz
SCLK Low Level Width	tSCLKL	60			ns
SCLK High Level Width	tSCLKH	60			ns
μP → AK7738					
CSN High Level Width	tWRQH	150			ns
From CSN "↑" to PDN "↑"	tRST	180			ns
From PDN "↑" to CSN "↓"	tIRRQ	1			ms
From CSN "↓" to SCLK "↓"	tWSC	150			ns
From SCLK "↑" to CSN "↑"	tSCW	240			ns
SI Latch Setup Time	tSIS	60			ns
SI Latch Hold Time	tSIH	60			ns
AK7738 → μP					
Delay Time from SCLK "↓" to SO Output	tSOS			60	ns
SO Output Hold Time from SCLK "↑" (Note 49)	tSOH	60			ns

Note 50. It takes maximum 10ms to lock PLL after setting CKRESETN bit = "0" → "1".

Note 51. Control registers can always be accessed by a maximum speed of 7MHz. Interfacing with the AK7738 except control registers should be made at a maximum speed of 3.5MHz when PLL is unlocked or at a maximum speed of 7MHz when PLL is locked. It is necessary to set DLRDY bit to "1" when interfacing with the AK7738 except control registers if PLL is unlocked.

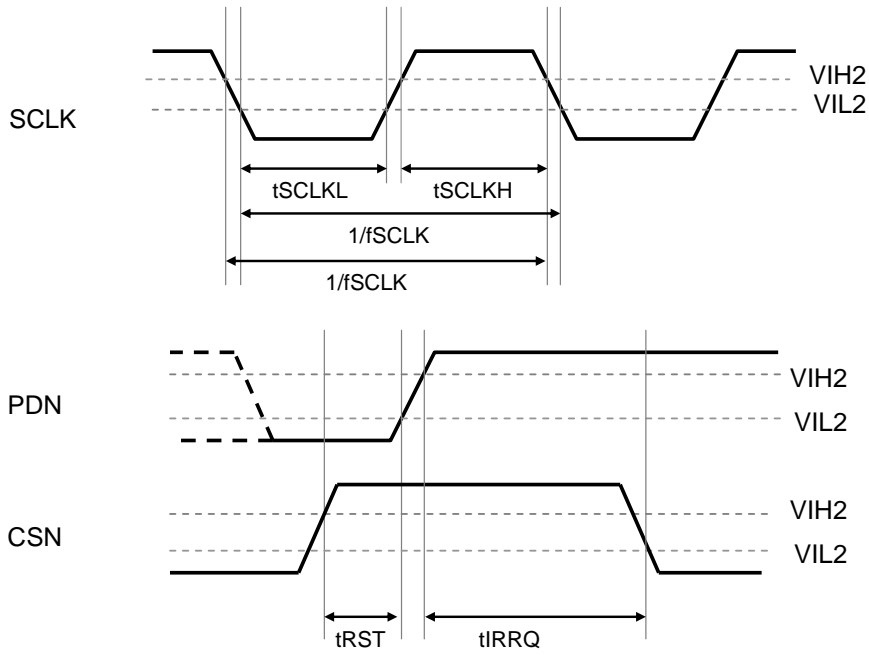


Figure 12. SPI Interface Timing 1

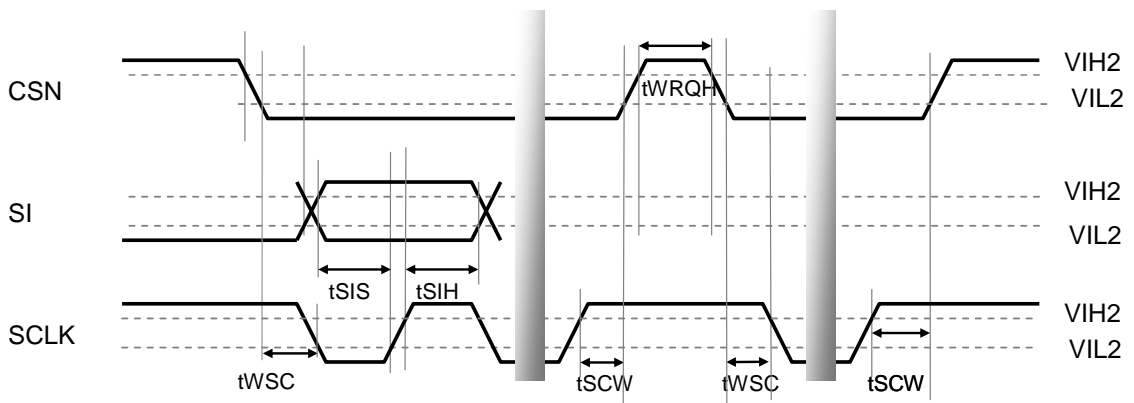


Figure 13. SPI Interface Timing 2 (Microcontroller → AK7738)

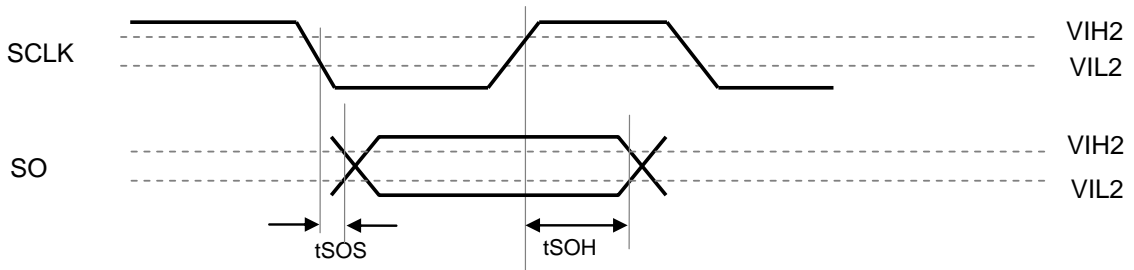


Figure 14. SPI Interface Timing 3 (AK7738 → Microcontroller)

5. I2C Interface

(Ta=25°C; AVDD=3.0~3.6V; LVDD=3.0~3.6V; TVDD1=1.7~3.6V; TVDD2=1.7~3.6V; VDD33=3.0~3.6V; AVSS=DVSS1=DVSS2=DVSS3=0V)

<I²C: Fast Mode>

Parameter	Symbol	min	typ	max	Unit
I²C Timing					
SCL clock frequency	fSCL	-	-	400	kHz
Bus Free Time Between Transmissions	tBUF	1.3	-	-	μs
Start Condition Hold Time (prior to first Clock pulse)	tHD:STA	0.6	-	-	μs
Clock Low Time	tLOW	1.3	-	-	μs
Clock High Time	tHIGH	0.6	-	-	μs
Setup Time for Repeated Start Condition	tSU:STA	0.6	-	-	μs
SDA Hold Time from SCL Falling	tHD:DAT	0	-	-	μs
SDA Setup Time from SCL Rising	tSU:DAT	0.1	-	-	μs
Rise Time of Both SDA and SCL Lines	tR	-	-	0.3	μs
Fall Time of Both SDA and SCL Lines	tF	-	-	0.3	μs
Setup Time for Stop Condition	tSU:STO	0.6	-	-	μs
Pulse Width of Spike Noise Suppressed By Input Filter	tSP	0	-	50	ns
Capacitive load on bus	Cb	-	-	400	pF

<I²C: Fast Mode Plus>

Parameter	Symbol	min	typ	max	Unit
I²C Timing					
SCL clock frequency	fSCL	-	-	1	MHz
Bus Free Time Between Transmissions	tBUF	0.5	-	-	μs
Start Condition Hold Time (prior to first Clock pulse)	tHD:STA	0.26	-	-	μs
Clock Low Time	tLOW	0.5	-	-	μs
Clock High Time	tHIGH	0.26	-	-	μs
Setup Time for Repeated Start Condition	tSU:STA	0.26	-	-	μs
SDA Hold Time from SCL Falling	tHD:DAT	0	-	-	μs
SDA Setup Time from SCL Rising	tSU:DAT	0.05	-	-	μs
Rise Time of Both SDA and SCL Lines	tR	-	-	0.12	μs
Fall Time of Both SDA and SCL Lines	tF	-	-	0.12	μs
Setup Time for Stop Condition	tSU:STO	0.26	-	-	μs
Pulse Width of Spike Noise Suppressed By Input Filter	tSP	0	-	50	ns
Capacitive load on bus	Cb	-	-	550	pF

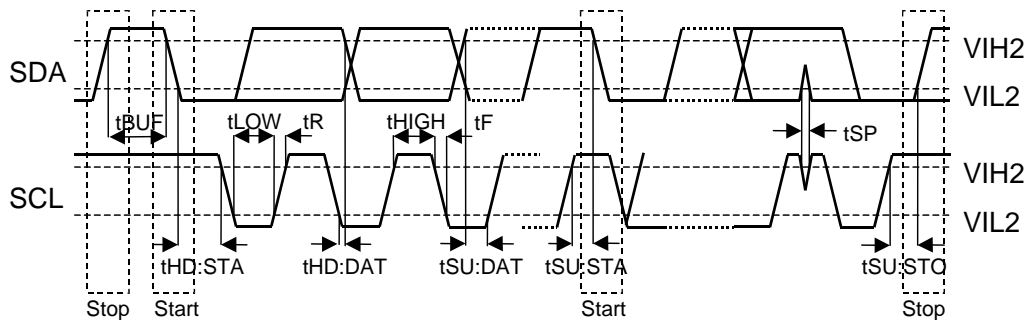
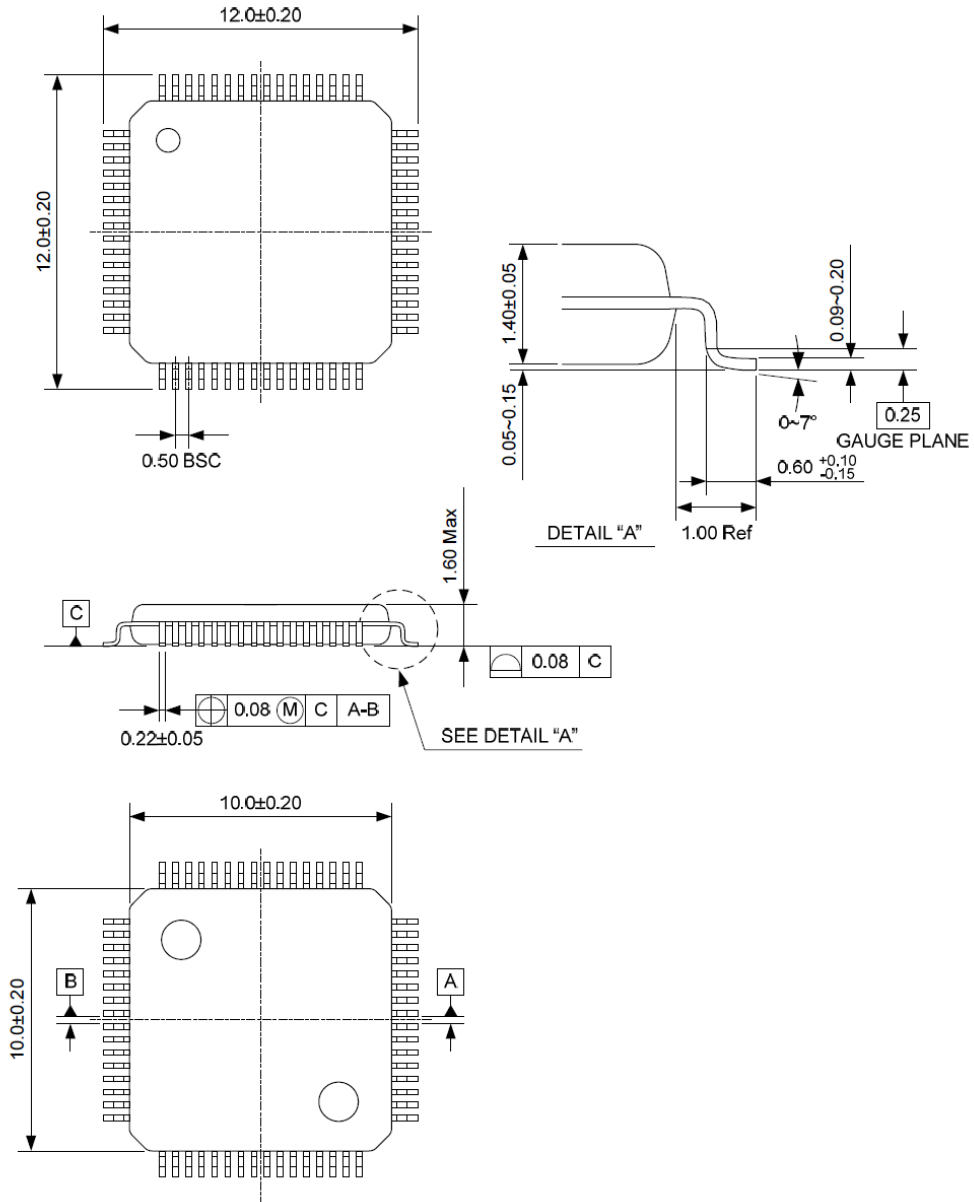


Figure 15. I²C-bus Interface Timing

12. Package

■ **Outline Dimensions**

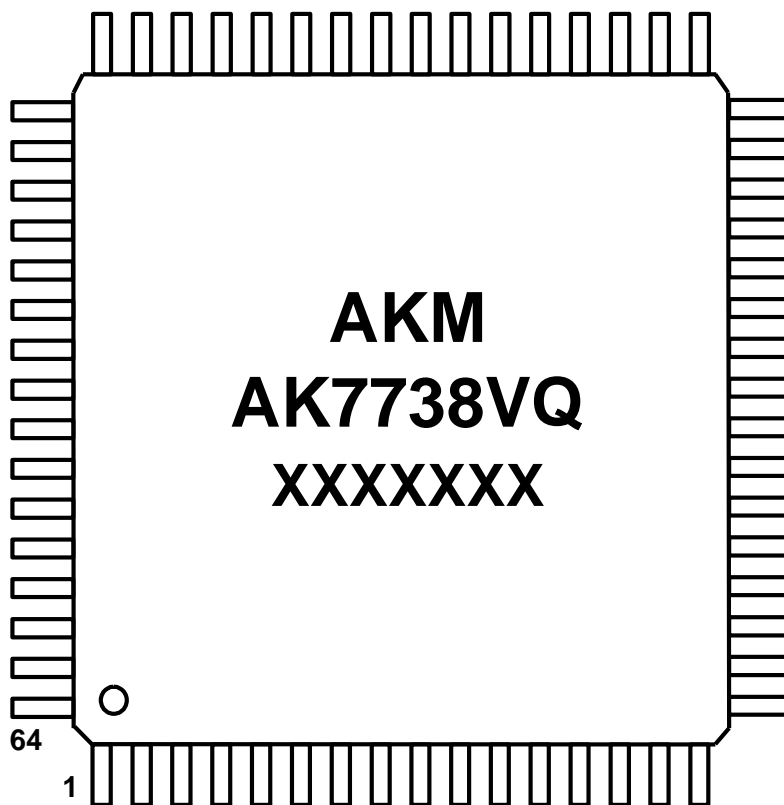
64-pin LQFP (Unit: mm)



■ **Material and Lead Finish**

Package: Epoxy
 Lead frame: Copper
 Lead-finish: Soldering (Pb free) plate

■ **Marking**



- 1) Pin #1 indication
- 2) Date Code: XXXXXXXX(7 digits)
- 3) Marking Code: AK7738VQ
- 4) Asahi Kasei Logo

13. Revision History

Date (Y/M/D)	Revision	Reason	Page	Contents
15/01/08	00	First Edition		

Thank you for your access to AKM product information.
More detail product information is available, please contact
our sales office or authorized distributors.

IMPORTANT NOTICE

0. Asahi Kasei Microdevices Corporation (“AKM”) reserves the right to make changes to the information contained in this document without notice. When you consider any use or application of AKM product stipulated in this document (“Product”), please make inquiries the sales office of AKM or authorized distributors as to current status of the Products.
1. All information included in this document are provided only to illustrate the operation and application examples of AKM Products. AKM neither makes warranties or representations with respect to the accuracy or completeness of the information contained in this document nor grants any license to any intellectual property rights or any other rights of AKM or any third party with respect to the information in this document. You are fully responsible for use of such information contained in this document in your product design or applications. AKM ASSUMES NO LIABILITY FOR ANY LOSSES INCURRED BY YOU OR THIRD PARTIES ARISING FROM THE USE OF SUCH INFORMATION IN YOUR PRODUCT DESIGN OR APPLICATIONS.
2. The Product is neither intended nor warranted for use in equipment or systems that require extraordinarily high levels of quality and/or reliability and/or a malfunction or failure of which may cause loss of human life, bodily injury, serious property damage or serious public impact, including but not limited to, equipment used in nuclear facilities, equipment used in the aerospace industry, medical equipment, equipment used for automobiles, trains, ships and other transportation, traffic signaling equipment, equipment used to control combustions or explosions, safety devices, elevators and escalators, devices related to electric power, and equipment used in finance-related fields. Do not use Product for the above use unless specifically agreed by AKM in writing.
3. Though AKM works continually to improve the Product’s quality and reliability, you are responsible for complying with safety standards and for providing adequate designs and safeguards for your hardware, software and systems which minimize risk and avoid situations in which a malfunction or failure of the Product could cause loss of human life, bodily injury or damage to property, including data loss or corruption.
4. Do not use or otherwise make available the Product or related technology or any information contained in this document for any military purposes, including without limitation, for the design, development, use, stockpiling or manufacturing of nuclear, chemical, or biological weapons or missile technology products (mass destruction weapons). When exporting the Products or related technology or any information contained in this document, you should comply with the applicable export control laws and regulations and follow the procedures required by such laws and regulations. The Products and related technology may not be used for or incorporated into any products or systems whose manufacture, use, or sale is prohibited under any applicable domestic or foreign laws or regulations.
5. Please contact AKM sales representative for details as to environmental matters such as the RoHS compatibility of the Product. Please use the Product in compliance with all applicable laws and regulations that regulate the inclusion or use of controlled substances, including without limitation, the EU RoHS Directive. AKM assumes no liability for damages or losses occurring as a result of noncompliance with applicable laws and regulations.
6. Resale of the Product with provisions different from the statement and/or technical features set forth in this document shall immediately void any warranty granted by AKM for the Product and shall not create or extend in any manner whatsoever, any liability of AKM.
7. This document may not be reproduced or duplicated, in any form, in whole or in part, without prior written consent of AKM.