



AK8146C

Two Outputs Clock Generator

Features

- Pin Selectable External Input
 - 42.72527473MHz
 - 43.31250000MHz
 - 27.00MHz
 - 60.00MHz
- Clock out Frequencies:
 - 12.00MHz
 - 13.5MHz
- Low Jitter Performance
 - Period Jitter
 - 125 psec (max) at CLK1
 - 205 psec (max) at CLK2
- Low Current Consumption:
 - 5.0mA (Typ.) at 3.0V
- Supply Voltage:
 - 2.7 – 3.6V
- Operating Temperature Range:
 - 20 to +85°C
- Package:
 - 8-pin USON (Lead free) 2.2mm x 2.2mm

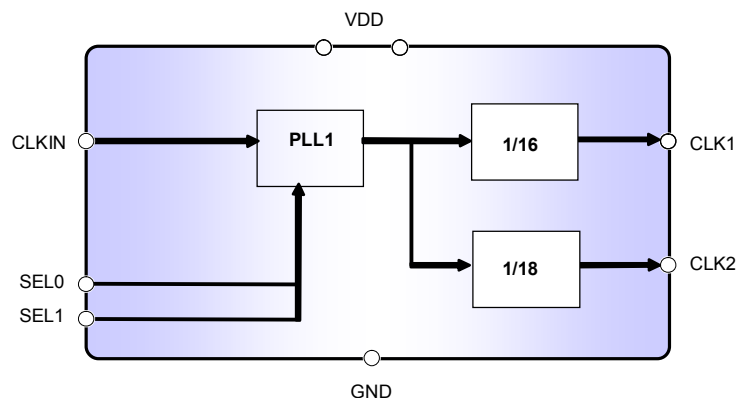
Description

The AK8146C is a low power multi clock generator which generates different frequency clocks from an external clock input. It provides two outputs of 12MHz and 13.5MHz. PLL in AK8146C are derived from AKEMD's long-term-experienced clock device technology, and enable clock output to perform low jitter and to operate with very low current consumption. The AK8146C is available in a 8-pin USON package.

Applications

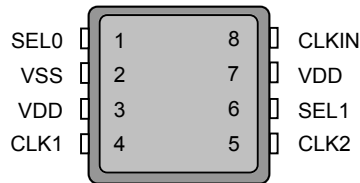
- Digital Video Camera

Block Diagram



AK8146C Multi Clock Generator

Pin Descriptions



Package: 8-Pin USON(Top View)

Pin No.	Pin Name	Pin Type	Description
1	SEL0	IN	SEL0 and SEL1 pins select the external clock frequency from among 42.72527473MHz, 43.31250000MHz, 27.00MHz and 60.00MHz. Please refer to the table of External clock frequency selection" shown below.
2	GND	PWR	Ground
3	VDD	PWR	Power
4	CLK1	OUT	12.0 MHz clock output
5	CLK2	OUT	13.5 MHz clock output
6	SEL1	IN	External clock frequency selection pin. Same as SEL0.
7	VDD	PWR	Power
8	CLKIN	IN	External clock input pin. It accepts one of the four frequencies selected by SEL0 and SEL1.

SEL1	SEL0	Input Frequency
0	0	42.72527473MHz (=405x1760x60/1.001)
0	1	43.31250000 MHz (=462x1875x50)
1	0	27.00 MHz
1	1	60.00 MHz

Ordering Information

Part Number	Marking	Shipping Packaging	Package	Temperature Range
AK8146C	146C	Tape and Reel	8-pin USON	-20 to 85 °C

Absolute Maximum Rating

Over operating free-air temperature range unless otherwise noted ⁽¹⁾

Items	Symbol	Ratings	Unit
Supply voltage	VDD	-0.3 to 4.6	V
Input voltage	V _{in}	VSS-0.3 to VDD+0.3	V
Input current (any pins except supplies)	I _{IN}	±10	mA
Storage temperature	T _{stg}	-55 to 130	°C

Note

(1) Stress beyond those listed under “Absolute Maximum Ratings” may cause permanent damage to the device. These are stress ratings only. Functional operation of the device at these or any other conditions beyond those indicated under “Recommended Operating Conditions” is not implied. Exposure to absolute-maximum-rating conditions for extended periods may affect device reliability. Electrical parameters are guaranteed only over the recommended operating temperature range.



ESD Sensitive Device

This device is manufactured on a CMOS process, therefore, generically susceptible to damage by excessive static voltage. Failure to observe proper handling and installation procedures can cause damage. AKEMD recommends that this device is handled with appropriate precautions.

Recommended Operation Conditions

Parameter	Symbol	Conditions	Min	Typ	Max	Unit
Operating temperature	T _a		-20		85	°C
Supply voltage ⁽¹⁾	VDD		2.7	3.0	3.6	V
Output Load Capacitance	C _{p1}	Pin: CLK1,CLK2			15	pF

Note:

(1) Power to VDD requires to be supplied from a single source. A decoupling capacitor of 0.1μF for power supply line should be installed close to each VDD pin.

DC Characteristics

All specifications at VDD: over 2.7 to 3.6V, Ta: -20 to +85°C, unless otherwise noted

Parameter	Symbol	Conditions	MIN	TYP	MAX	Unit
High Level Input Voltage	V_{IH}	Pin: SEL0 SEL1	0.7*VDD			V
Low Level Input Voltage	V_{IL}	Pin: SEL0 SEL1			0.3*VDD	V
Input Leakage Current	I_L	Pin: SEL0 SEL1	-10		+10	μ A
High Level Output Voltage 1	V_{OH}	Pin: CLK1, CLK2 $I_{OH}=-4.0mA$	0.8VDD			V
Low level Output Voltage 1	V_{OL}	Pin: CLK1, CLK2 $I_{OL}=+4.0mA$			0.2VDD	V
High Level Output Voltage 2	V_{OH}	Pin: CLK1, CLK2 $I_{OH}=-1.5mA$	0.9VDD			V
Low level Output Voltage 2	V_{OL}	Pin: CLK1, CLK2 $I_{OL}=+0.1mA$			0.05VDD	V
Current Consumption	I_{DD}	No load, CLKIN=42.72527473MHz TYP case is VDD=3.0V, Ta=25°C		5.0	6.4	mA

AC Characteristics

All specifications at VDD: over 2.7 to 3.6V, Ta: over -20 to +85°C, unless otherwise noted

Parameter	Symbol	Conditions	MIN	TYP	MAX	Unit
External Clock Input		Pin: CLKIN		42.72527473 43.31250000 27.00 60.00		MHz
External Clock Input		Pin: CLKIN	0.7			Vpp
External Clock Duty		Pin: CLKIN, Specified at 0.5*Clock Amplitude	30		70	%
Output Clock Frequency		Pin: CLK1		12		MHz
		Pin: CLK2		13.5		MHz
Period Jitter ^{(1) (2)}		Pin: CLK1			125	ps
		Pin: CLK2			205	ps
Output Clock Duty Cycle ⁽¹⁾		Pin: CLK1	45	50	55	%
Output Clock Rise Time ⁽¹⁾	t_{rise}	Pin: CLK1, CLK2 Cp1=15pF			4.0	ns
Output Clock Fall Time ⁽¹⁾	t_{fall}	Pin: CLK1, CLK2 Cp1=15pF			4.0	ns
Power-up Time ⁽³⁾		Pin: CLK1, CLK2 Cp1=15pF		1.4	2.8	ms

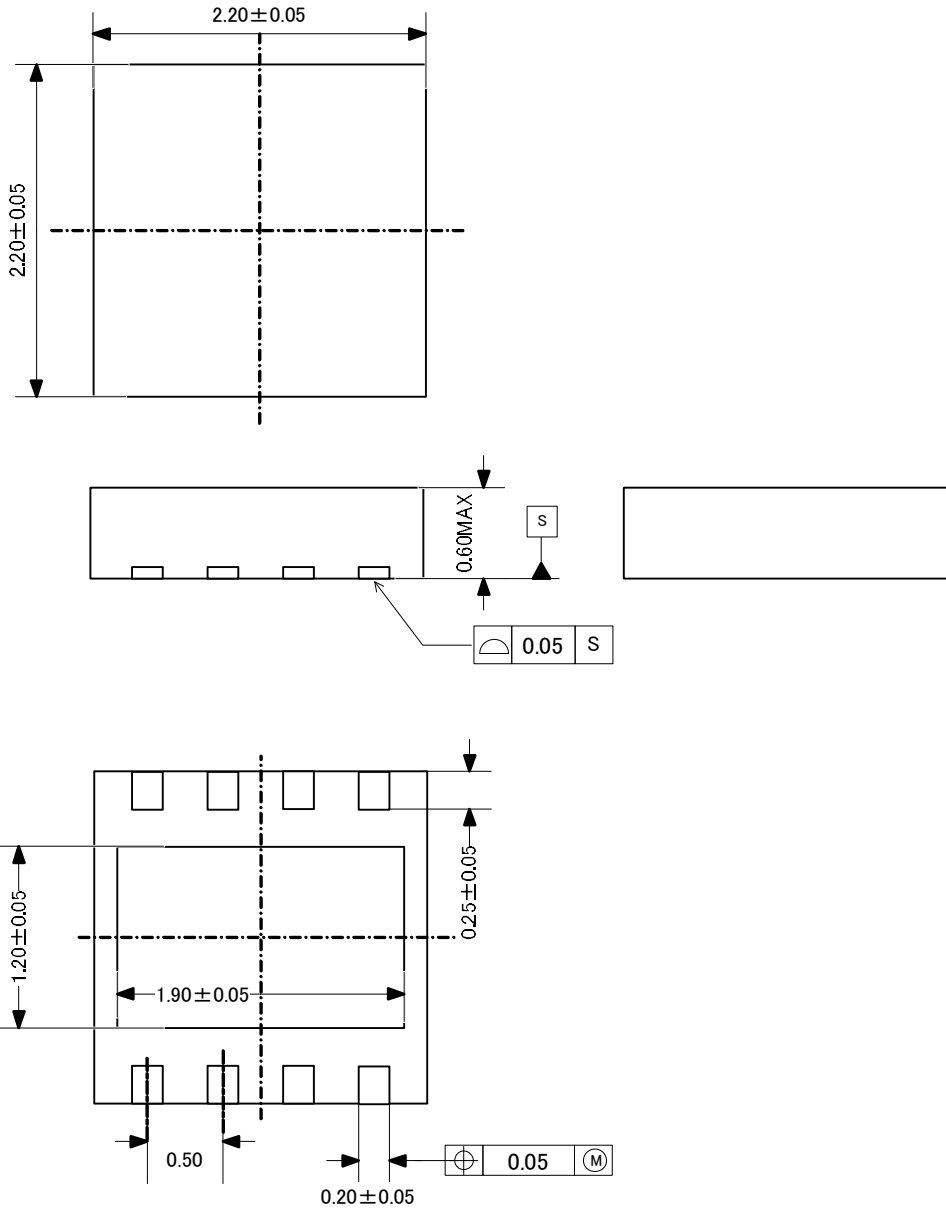
(1) Design Value

(2) 5sigma in 10000 sampling

(3) The time that output reaches the target frequency within accuracy of $\pm 100ppm$ from the point that the power supply reaches VDD

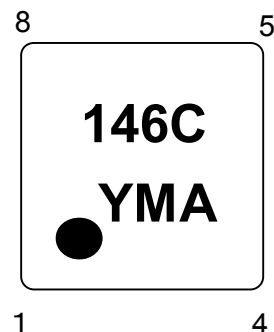
Package Information

• Mechanical data



• Marking

- a: #1 Pin Index : Circle
- b: Part number : 146C
- c: Date code (3 digits) : YMA



IMPORTANT NOTICE

- These products and their specifications are subject to change without notice.
When you consider any use or application of these products, please make inquiries the sales office of Asahi Kasei EMD Corporation (AKEMD) or authorized distributors as to current status of the products.
- AKEMD assumes no liability for infringement of any patent, intellectual property, or other rights in the application or use of any information contained herein.
- Any export of these products, or devices or systems containing them, may require an export license or other official approval under the law and regulations of the country of export pertaining to customs and tariffs, currency exchange, or strategic materials.
- AKEMD products are neither intended nor authorized for use as critical components^{Note1)} in any safety, life support, or other hazard related device or system^{Note2)}, and AKEMD assumes no responsibility for such use, except for the use approved with the express written consent by Representative Director of AKEMD. As used here:
 - Note1) A critical component is one whose failure to function or perform may reasonably be expected to result, whether directly or indirectly, in the loss of the safety or effectiveness of the device or system containing it, and which must therefore meet very high standards of performance and reliability.
 - Note2) A hazard related device or system is one designed or intended for life support or maintenance of safety or for applications in medicine, aerospace, nuclear energy, or other fields, in which its failure to function or perform may reasonably be expected to result in loss of life or in significant injury or damage to person or property.
- It is the responsibility of the buyer or distributor of AKEMD products, who distributes, disposes of, or otherwise places the product with a third party, to notify such third party in advance of the above content and conditions, and the buyer or distributor agrees to assume any and all responsibility and liability for and hold AKEMD harmless from any and all claims arising from the use of said product in the absence of such notification.