



AKZ 950/.. - 5,08 - GREEN

**2-24 poles, Spacing 5,08 mm
 insert required no. of poles ..**

Ratings:

		
Rated Voltage	300 V	250 V
Rated Current	15 A	12 A (T60)
Overvoltage Category		III
Wire Size	AWG 22-12	2,5 mm ²
Rating Impulse Voltage/Dirt Level		4 kV/3
Rated Torque / Screw Size		0,5 Nm/M3

Max. Rated Cross Section

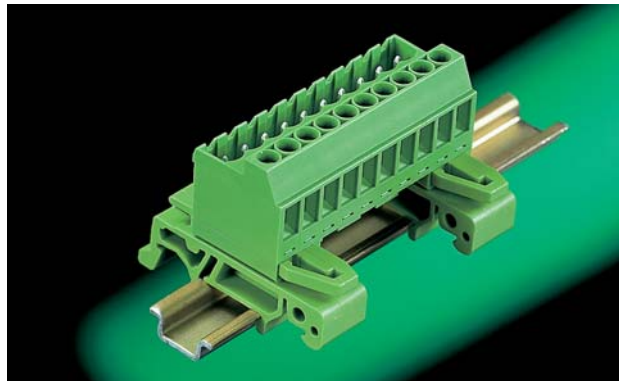
Single Wire (solid)	2,5 mm ²
Stranded Wire (flexible)	2,5 mm ²
Stranded Wire with Ferrules	2,5 mm ²

Dimensions

Spacing	5,08 mm
Stripped Length	6,0 mm

Materials



Insulating Material	PA
Flammability Class	UL94 V-0
Temperature Range	-30°C/+105°C
Terminal Block	CuZn
Contact	CuSn
Colour	green
	RAL 6018



AKZS 950/..G - 5,08 - GREEN

**2-24 poles, Spacing 5,08 mm
 insert required no. of poles ..
 mountable in combination with TS 15 and TS 35**

Ratings:

		
Rated Voltage	300 V	250 V
Rated Current	15 A	12 A (T60)
Overvoltage Category		III
Wire Size	AWG 28-12	2,5 mm ²
Rating Impulse Voltage / Dirt Level		4 kV / 3
Rated Torque / Screw Size		0,5 Nm/M3

Max. Rated Cross Section

Single Wire (solid)	2,5 mm ²
Stranded Wire (flexible)	2,5 mm ²
Stranded Wire with Ferrules	2,5 mm ²

Dimensions

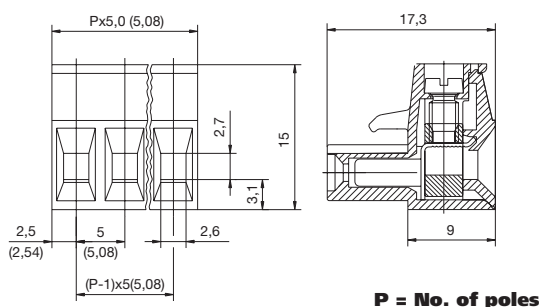
Spacing	5,08 mm
Stripped Length	6,0 mm

DIN rail
 TS 15 DIN EN 60715
 TS 35 DIN EN 60715

Materials

Insulating Material	PA
Flammability Class	UL94 V-0
Temperature Range	-30°C/+105°C
Terminal Block	CuZn
Wire Guard	Cu
Colour	green
	RAL 6018

AKZ 950



AKZS 950/..G

