



晶采光電科技股份有限公司  
AMPIRE CO., LTD.

## SPECIFICATIONS FOR LCD MODULE

<b>CUSTOMER</b>	
<b>CUSTOMER PART NO.</b>	
<b>AMPIRE PART NO.</b>	<b>AM-800600P4TMQW-A1H</b>
<b>APPROVED BY</b>	
<b>DATE</b>	

Approved For Specifications

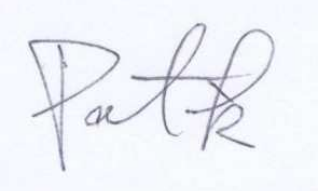

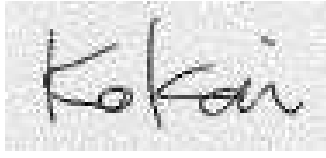
Approved For Specifications & Sample

**AMPIRE CO., LTD.**

**4F., No.116, Sec. 1, Xintai 5th Rd., Xizhi Dist., New Taipei  
City221, Taiwan (R.O.C.)**

**新北市汐止區新台五路一段 116 號 4 樓(東方科學園區 A 棟)**

**TEL:886-2-26967269 , FAX:886-2-26967196 or 26967270**

<b>APPROVED BY</b>	<b>CHECKED BY</b>	<b>ORGANIZED BY</b>
		

## RECORD OF REVISION

Revision Date	Page	Contents	Editor
2013/12/5	--	New Release	Kokai

## 1. Features

8 inch Amorphous-TFT-LCD (Thin Film Transistor Liquid Crystal Display) module.  
This module is composed of a 8" TFT-LCD panel, LED backlight and power circuit unit.

- (1) Construction: 8" a-Si TFT active matrix, White LED Backlight, power circuit board.
- (2) Resolution (pixel): 800(R.G.B) X600
- (3) Number of the Colors : 262K colors ( R , G , B 6 bit digital each)
- (4) LCD type : Transmissive , normally White
- (5) Interface: 20 Pin (LVDS interface), DE mode.
- (6) Power Supply Voltage: 3.3V for logic voltage, 5.0V for LED driver power voltage.
- (6) Viewing Direction: 6 O'clock (Gray Inversion )

## 2. PHYSICAL SPECIFICATIONS

Item	Specifications	unit
LCD size	8 inch (Diagonal)	
Resolution	800 x 3(RGB) x 600	dot
Dot pitch	0.0675(W) x 0.2025(H)	mm
Active area	162.0(W) x 121.5(H)	mm
Module size	200.4(W) x 141.0(H) x 10.35(D)	mm
Surface treatment	Anti-Glare	
Color arrangement	RGB-stripe	
interface	Digital	

### 3. ABSOLUTE MAX. RATINGS

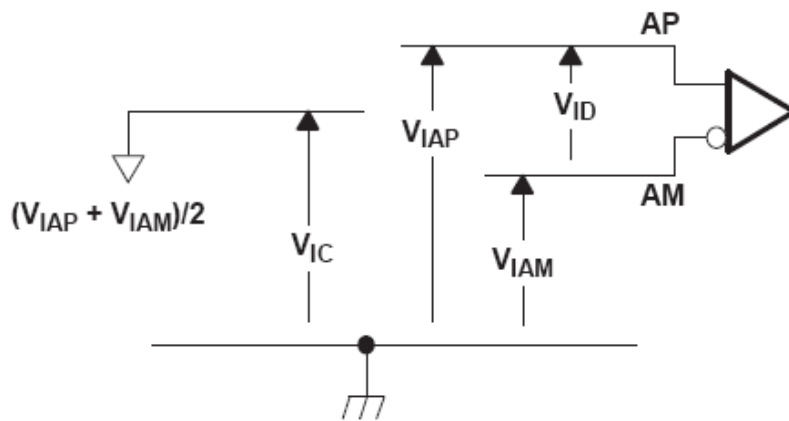
Item	Symbol	Values		UNIT	Note
		Min.	Max.		
Power voltage	VCC	-0.5	5	V	
	VLED	-0.5	6.0		
Input signal voltage	Vi	-0.3	VCC+0.3	V	Note 1
Operation temperature	TOP	-20	70	°C	
Storage temperature	TST	-30	80	°C	

Note 1: The product is subject to be damaged permanently if stresses beyond those absolute maximum ratings listed above.

## 4. ELECTRICAL CHARACTERISTICS

### 4-1 TFT LCD Module

		MIN	NOM	MAX	UNIT
$V_{CC}$	Supply voltage	3	3.3	3.6	V
$V_{IH}$	High-level input voltage (SHTDN)	2			V
$V_{IL}$	Low-level input voltage (SHTDN)			0.8	V
$ V_{ID} $	Magnitude differential input voltage	0.1		0.6	V
$V_{IC}$	Common-mode input voltage	$\frac{ V_{ID} }{2}$		$2.4 - \frac{ V_{ID} }{2}$	V

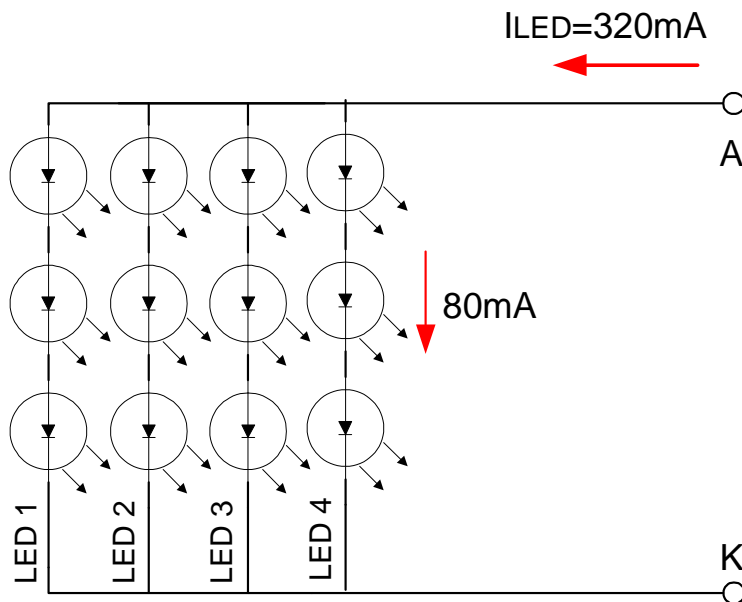


## 4-2 Backlight Driving Conditions

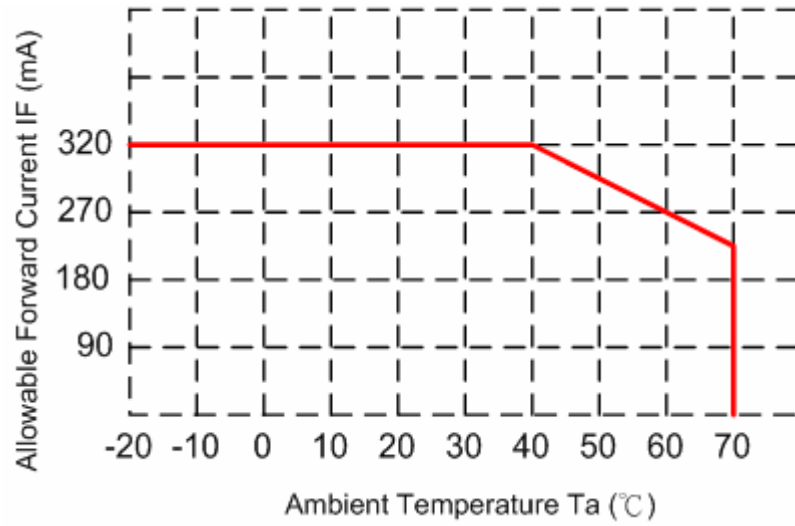
Item	Symbol	Values			Unit	Note
		Min.	Typ.	Max.		
LED Driver voltage	VLED	--	5	--	V	
Power Supply Current For LED Driver	ILED	-	830	-	mA	VLED=5V VADJ=3.3V (duty 100%)
ADJ Input Voltage	V <sub>ADJ</sub>	-	3.3	--	V	duty=100%
LED voltage	V <sub>AK</sub>	--	9.9	--	V	I <sub>L</sub> =320mA Ta=25°C
LED current	I <sub>L</sub>	324	320	396	mA	Ta=25°C
		--	270	--	mA	Ta=60°C
LED Life Time	-	--	50K	--	Hour	Note (2)

Note (1) The constant current source is needed for white LED back-light driving. When LCM is operated over 60 deg.C ambient temperature, the I<sub>L</sub> of the LED back-light should be adjusted to 270mA max

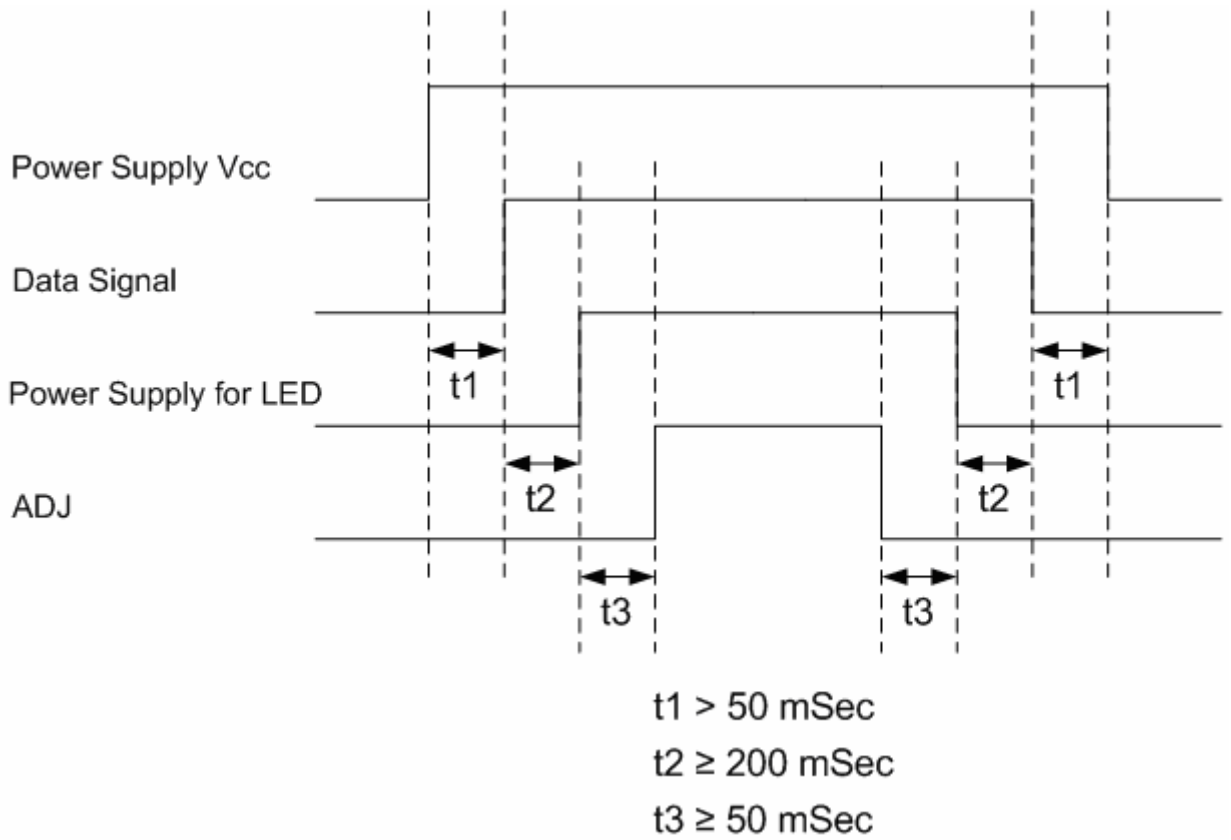
Note (2) Brightness to be decreased to 50% of the initial value.



When LCM is operated over 40°C ambient temperature, the ILED should be follow :

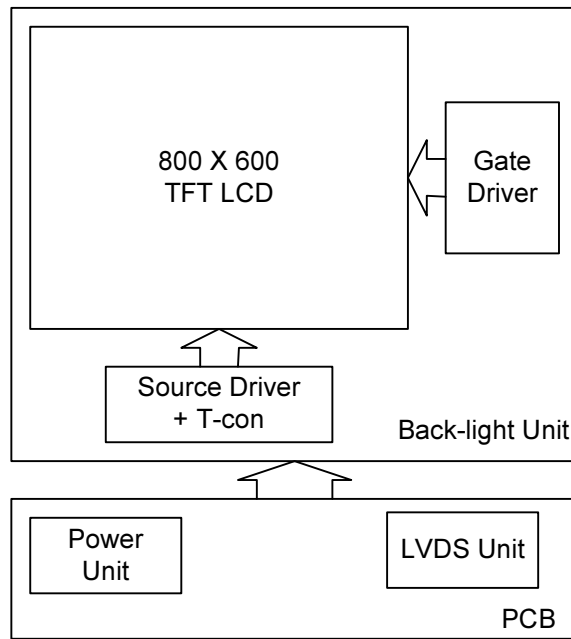


### 4-3 Power Sequence





#### 4-4 Block Diagram



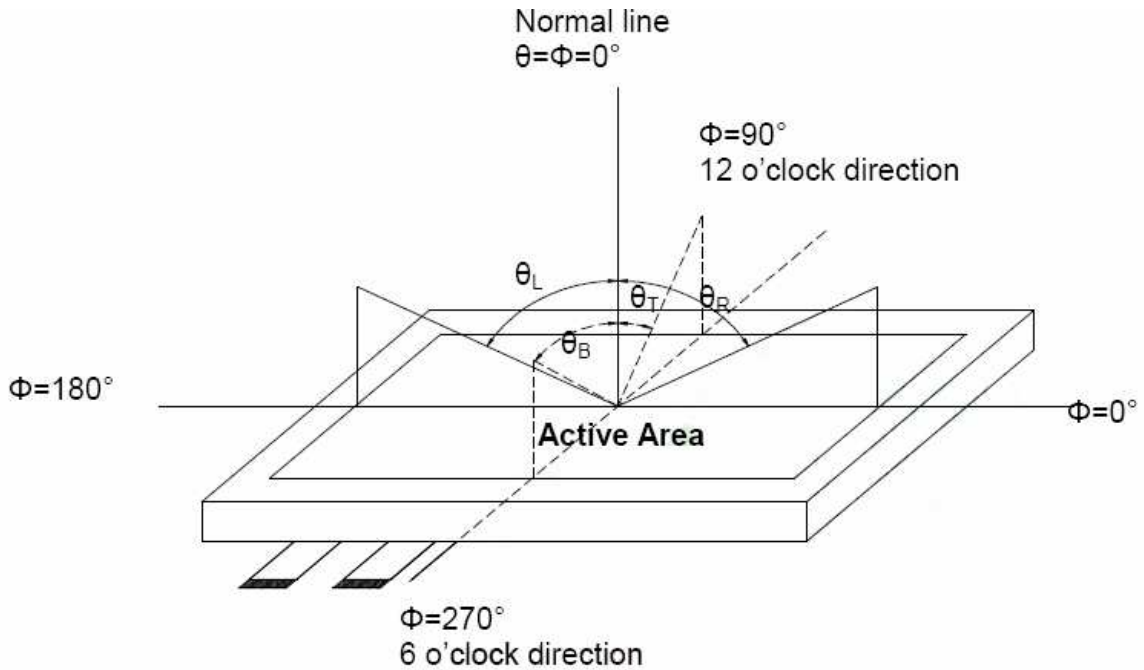
## 5. Optical Specifications

Item	Symbol	Condition	Values			Unit	Note
			Min.	Typ.	Max.		
Viewing angle (CR ≥ 10)	$\theta L$	$\Phi = 180^\circ$ (9 o'clock)	60	70	--	degree	Note1
	$\theta R$	$\Phi = 0^\circ$ (3 o'clock)	60	70	--		
	$\theta T$	$\Phi = 90^\circ$ (12 o'clock)	40	50	--		
	$\theta B$	$\Phi = 270^\circ$ (6 o'clock)	60	70	--		
Response time	TON	T=25°	--	25	30	msec	Note3
	TOFF		--	25	30	msec	
Contrast ratio	CR	Normal $\theta = \Phi = 0^\circ$	400	500	--	--	Note4
Color chromaticity	Rx		0.578	0.628	0.678	--	Note5 Note6
	Ry		0.294	0.344	0.394		
	Gx		0.289	0.339	0.389		
	Gy		0.538	0.588	0.538		
	Bx		0.104	0.154	0.204		
	By		0.081	0.131	0.181		
	Wx		0.26	0.31	0.36		
	Wy		0.28	0.33	0.38	--	
Luminance	L		400	500	--	cd/m <sup>2</sup>	Note6
Luminance uniformity	YU	70	75	--	%	Note7	

Test Conditions :

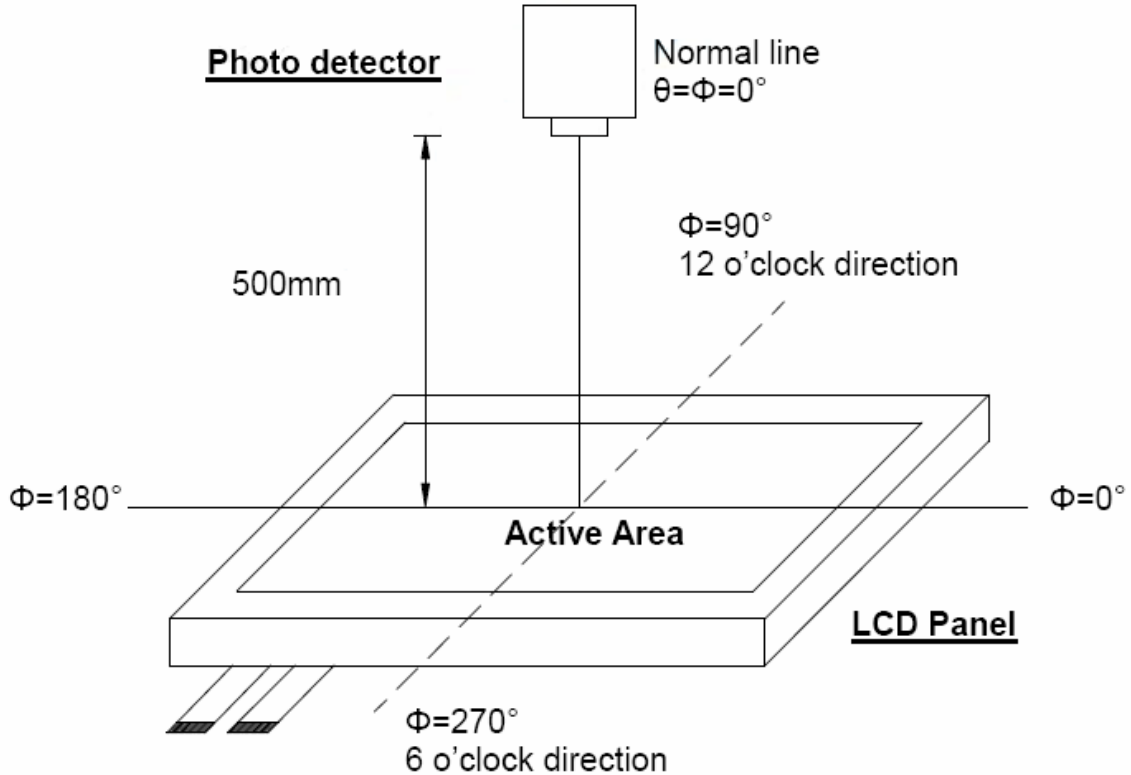
1.  $V_{LED} = 5V$ ,  $I_L = 320mA$  (Backlight current), the ambient temperature is 25°C.
2. The test systems refer to Note 2.

Note 1 : Definition of viewing angle range



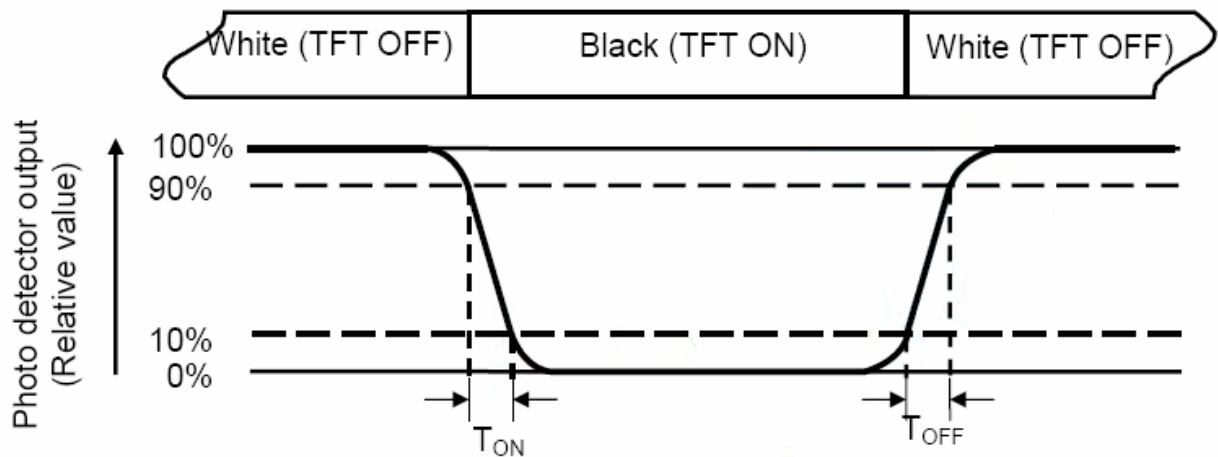
Note 2 : Definition of optical measurement system.

The optical characteristics should be measured in dark room. After 30 minutes operation, the optical properties are measured at the center point of the LCD screen. (Response time is measured by Photo detector TOPCON BM-7, other items are measured by BM-5A/Field of view : 1°/ Height : 500 mm.)



Note 3 : Definition of Response time

The response time is defined as the LCD optical switching time interval between “White” state and “Black” state. Rise time ( $T_{ON}$ ) is the time between photo detector output intensity changed from 90% to 10%. And fall time ( $T_{OFF}$ ) is the time between photo detector output intensity changed from 10% to 90%.



Note 4 : Definition of contrast ratio

$$\text{Contrast ratio (CR)} = \frac{\text{Luminance measured when LCD on the "White" state}}{\text{Luminance measured when LCD on the "Black" state}}$$

Note 5 : Definition of color chromaticity (CIE1931)

Color coordinated measured at center point of LCD.

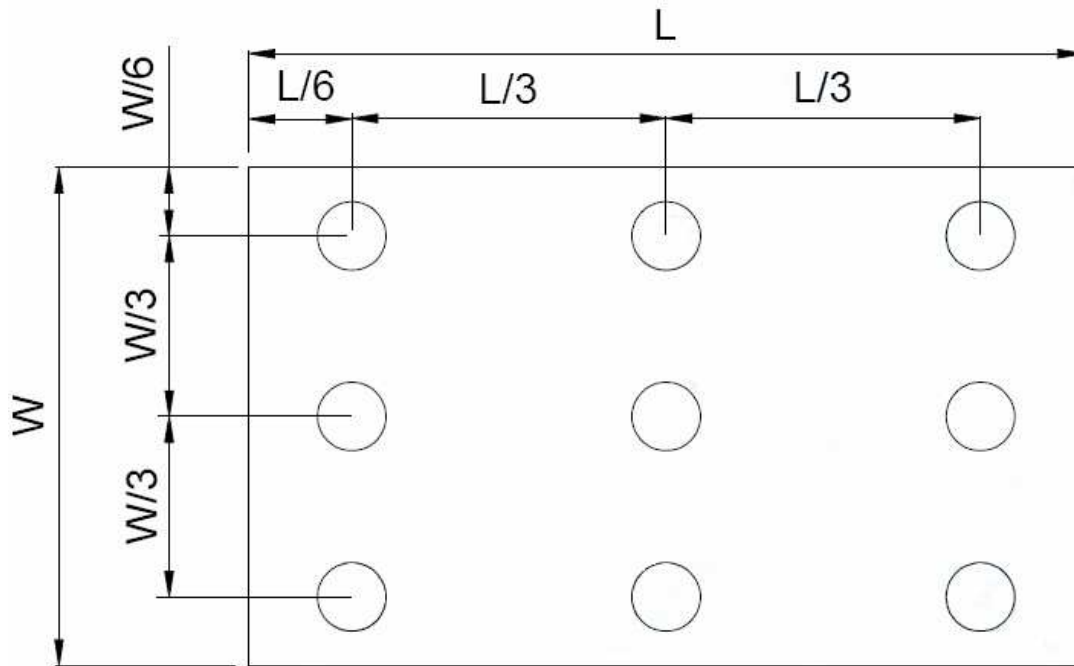
Note 6 : All input terminals LCD panel must be ground when measuring the center area of the panel.

Note 7 : Definition of Luminance Uniformity

Active area is divided into 9 measuring areas (Refer to bellow figure). Every measuring point is placed at the center of each measuring area.

$$\text{Luminance Uniformity (Yu)} = \frac{B_{\min}}{B_{\max}}$$

L ----- Active area length      W ----- Active area width



$B_{\max}$  : The measured maximum luminance of all measurement position.

$B_{\min}$  : The measured minimum luminance of all measurement position.

## 6. INTERFACE

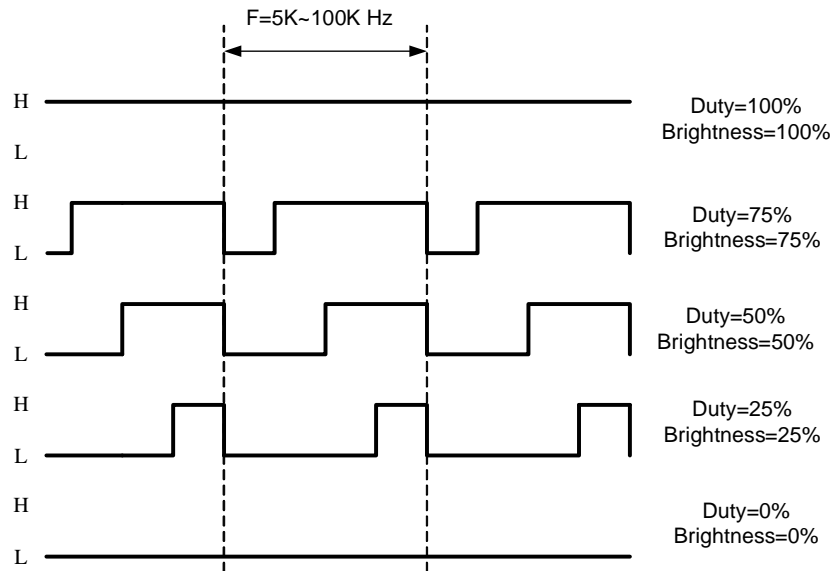
### 6.1 TFT LCD Panel Driving Section

Pin No.	Symbol	Description	Note
1	VDD	POWER SUPPLY:3.3V	
2	VDD	POWER SUPPLY:3.3V	
3	GND	Power Ground	
4	GND	Power Ground	
5	IN0-	Transmission Data	
6	IN0+	Transmission Data	
7	GND	Power Ground	
8	IN1-	Transmission Data	
9	IN1+	Transmission Data	
10	GND	Power Ground	
11	IN2-	Transmission Data	
12	IN2+	Transmission Data	
13	GND	Power Ground	
14	CLK-	Sampling Clock	
15	CLK+	Sampling Clock	
16	GND	Power Ground	
17	VLED	POWER SUPPLY for Backlight : 5V	
18	VLED	POWER SUPPLY for Backlight : 5V	
19	GND	Power Ground	
20	ADJ	Adjust the LED brightness	

NOTE :

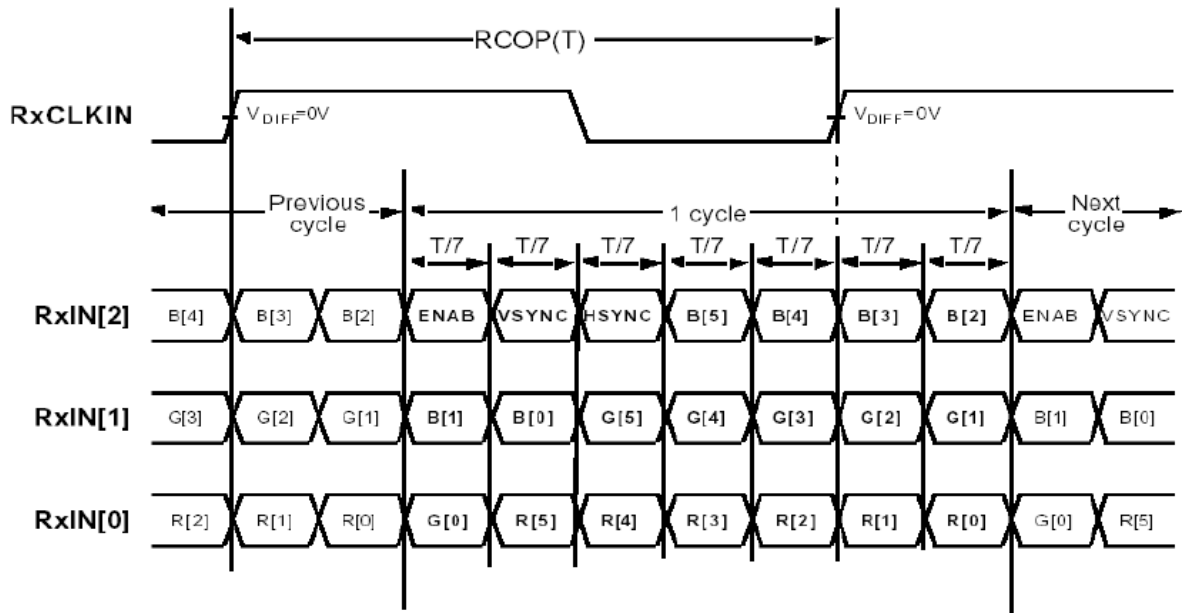
(1) Pin19: ADJ is PWM signal input. It is for brightness control.

ITEM	SYMBOL	MIN	TYP	MAX	UNIT
ADJ signal frequency	$f_{PWM}$	5K	20K	100K	Hz
ADJ signal logic level High	$V_{IH}$	2.4V	3.3	$V_{LED}$ (5.0V)	V
ADJ signal logic level Low	$V_{IL}$	0	--	0.8	V



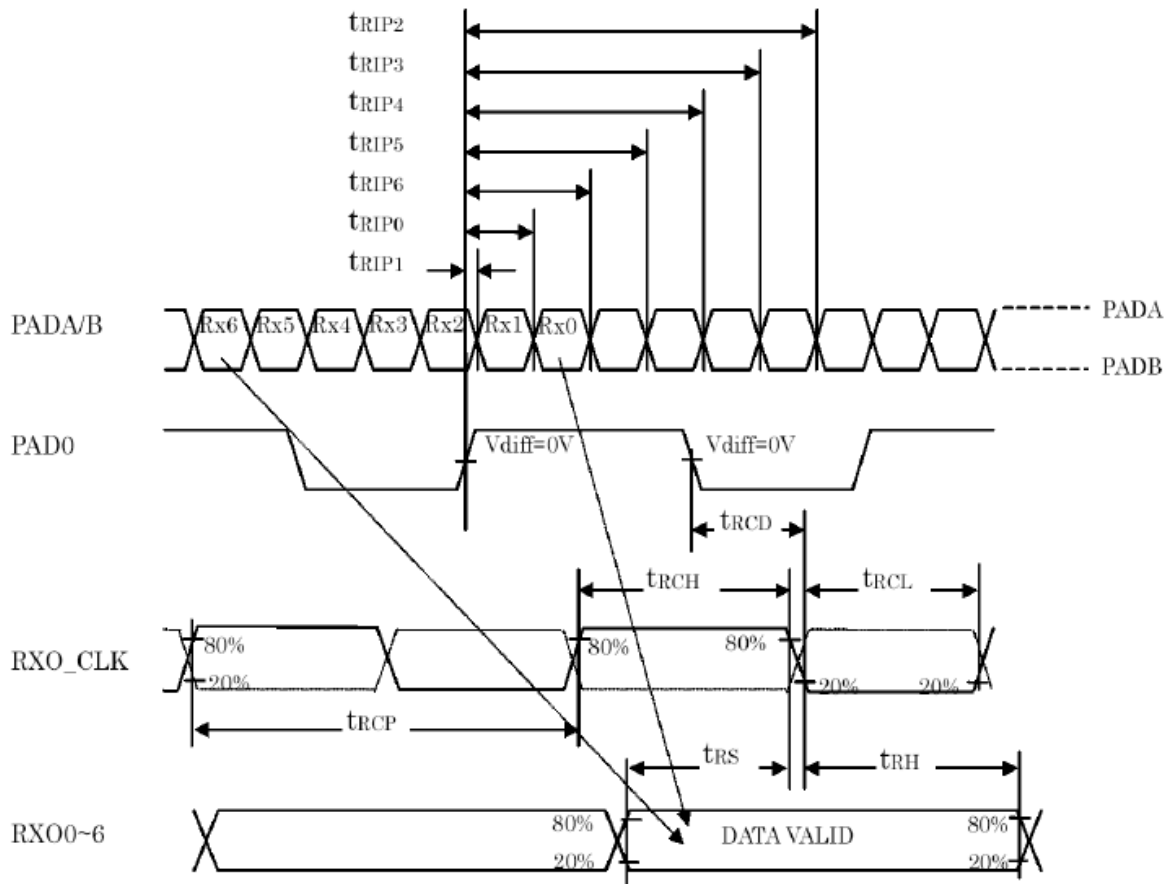
## 7. INTERFACE TIMING (The information as below is to be defined.)

### 7-1 LVDS SIGNAL :



Note : R/G/B[5]s are MSBs and R/G/B[0]s are LSBs

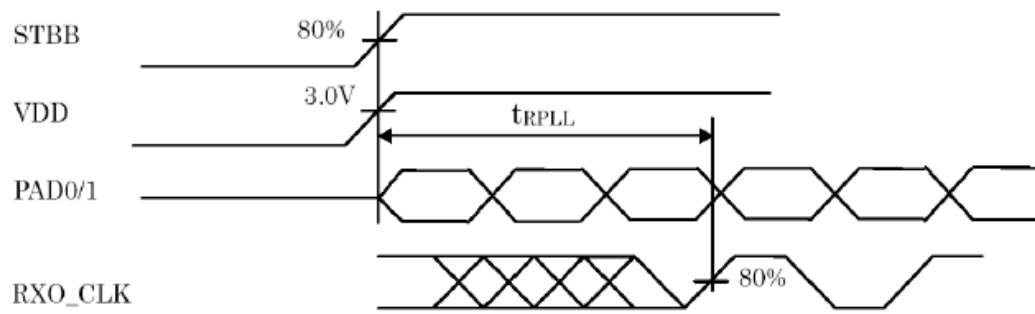
### 7-2 LVDS AC Timing Diagram :



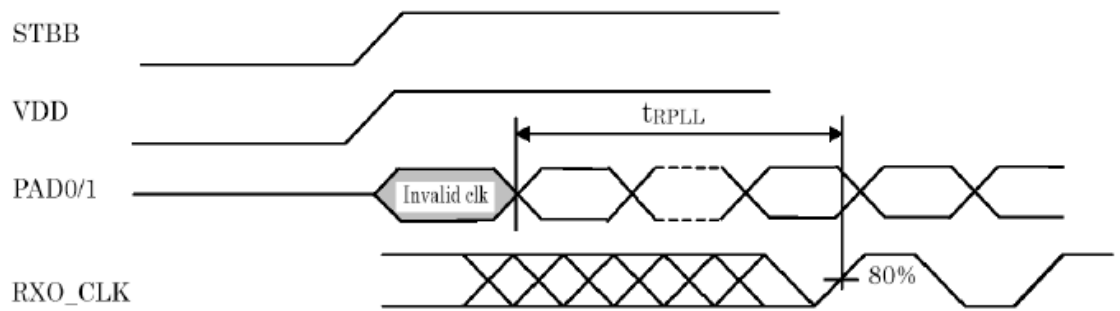


### 7-3 Phase Lock Loop Set Time :

(Case1)



(Case2)

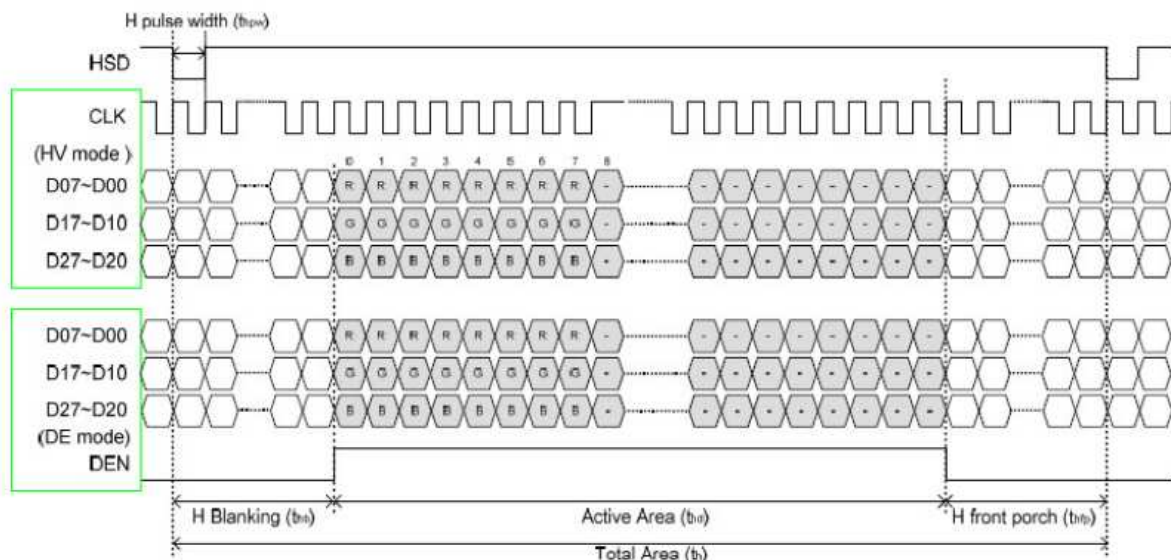


### 7-4 Recommended Input Timing of LVDS transmitter :

Item	Symbol	Values			Unit	Remark
		Min.	Typ.	Max.		
Horizontal Display Area	thd	-	800	-	DCLK	
DCLK Frequency	fclk	-	40	50	MHz	
One Horizontal Line	th	862	1056	1200	DCLK	
HS pulse width	thpw	1	-	40	DCLK	
HS Back Porch(Blanking)	thb	46	46	46	DCLK	
HS Front Porch	thfp	16	210	354	DCLK	

Item	Symbol	Values			Unit	Remark
		Min.	Typ.	Max.		
Vertical Display Area	tvd	-	600	-	TH	
VS period time	tv	624	635	700	TH	
VS pulse width	tvpw	1	-	20	TH	
VS Back Porch(Blanking)	tvb	23	23	23	TH	
VS Front Porch	tvfp	1	12	77	TH	

#### Horizontal input timing



## 8. RELIABILITY TEST CONDITIONS

Test Item	Test Conditions	Note
High Temperature Operation	70±3°C , t=240 hrs	
Low Temperature Operation	-20±3°C , t=240 hrs	
High Temperature Storage	80±3°C , t=240 hrs	1,2
Low Temperature Storage	-30±3°C , t=240 hrs	1,2
Storage at High Temperature and Humidity	60°C, 90% RH , 240 hrs	1,2
Thermal Shock Test	-20°C (30min) ~ 70°C (30min) 100 cycles	1,2
Vibration Test (Packing)	Sweep frequency : 10 ~ 55 ~ 10 Hz/1min Amplitude : 0.75mm Test direction : X.Y.Z/3 axis Duration : 30min/each axis	2

Note 1 : Condensation of water is not permitted on the module.

Note 2 : The module should be inspected after 1 hour storage in normal conditions (15-35°C , 45-65%RH).

## 9. General Precautions

### 9-1 Safety

Liquid crystal is poisonous. Do not put it your mouth. If liquid crystal touches your skin or clothes, wash it off immediately by using soap and water.

### 9-2 Handling

1. The LCD panel is plate glass. Do not subject the panel to mechanical shock or to excessive force on its surface.
2. The polarizer attached to the display is easily damaged. Please handle it carefully to avoid scratch or other damages.
3. To avoid contamination on the display surface, do not touch the module surface with bare hands.
4. Keep a space so that the LCD panels do not touch other components.
5. Put cover board such as acrylic board on the surface of LCD panel to protect panel from damages.
6. Transparent electrodes may be disconnected if you use the LCD panel under environmental conditions where the condensation of dew occurs.
7. Do not leave module in direct sunlight to avoid malfunction of the ICs.

### 9-3 Static Electricity

1. Be sure to ground module before turning on power or operation module.
2. Do not apply voltage which exceeds the absolute maximum rating value.

### 9-4 Storage

1. Store the module in a dark room where must keep at  $+25\pm 10^{\circ}\text{C}$  and 65%RH or less.
2. Do not store the module in surroundings containing organic solvent or corrosive gas.
3. Store the module in an anti-electrostatic container or bag.

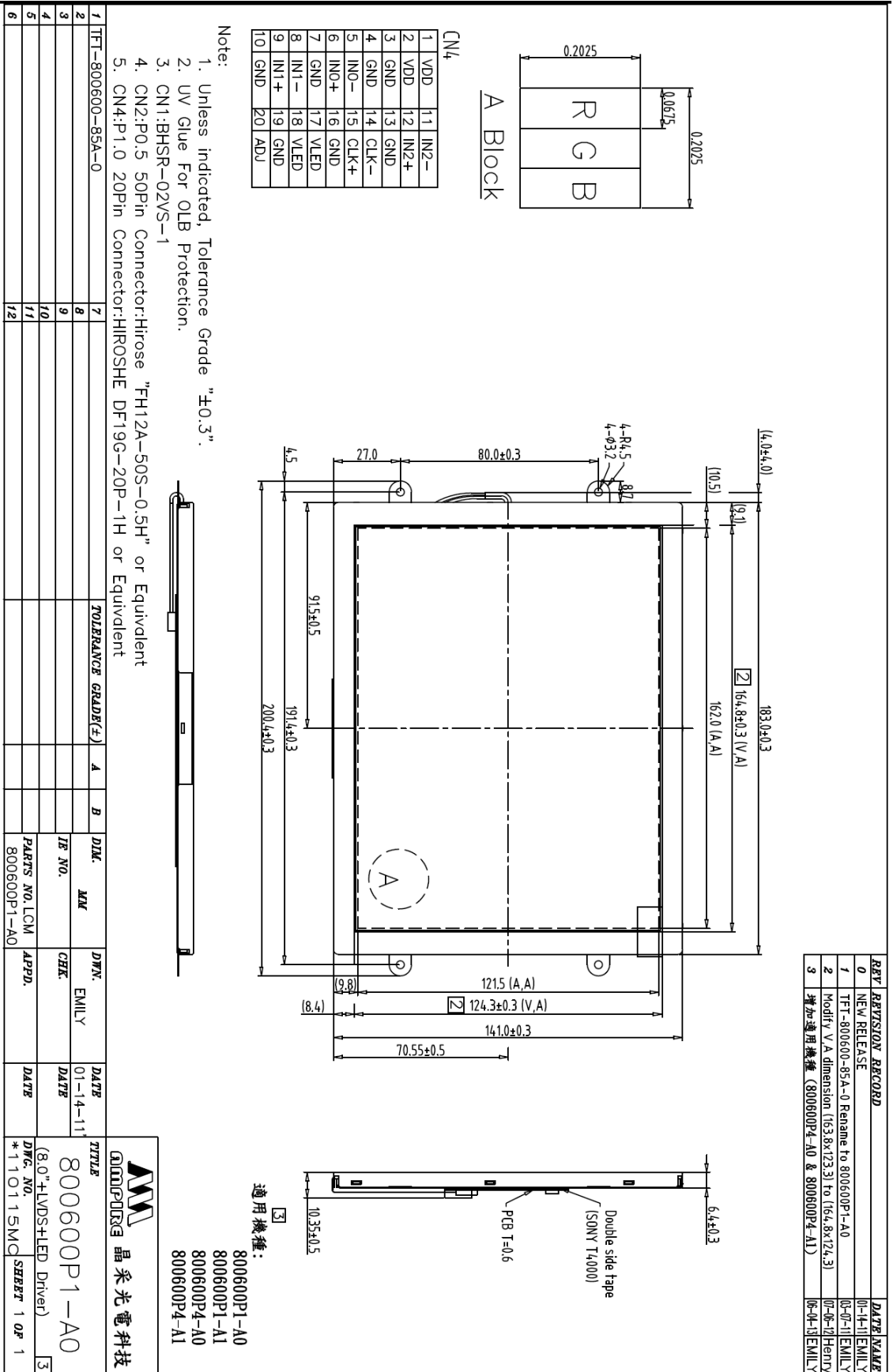
### 9-5 Cleaning

1. Do not wipe the polarizer with dry cloth. It might cause scratch.
2. Only use a soft sloth with IPA to wipe the polarizer, other chemicals might permanent damage to the polarizer.

### 9-5 Others

1. AMIPRE will provide one year warrantee for all products and three months warrantee for all repairing products.
2. **Do not keep the LCD at the same display pattern continually. The residual image will happen and it will damage the LCD. Please use screen saver.**

# 10. OUTLINE DIMENSION



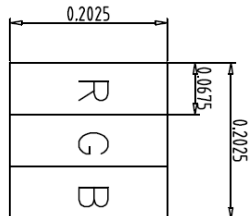
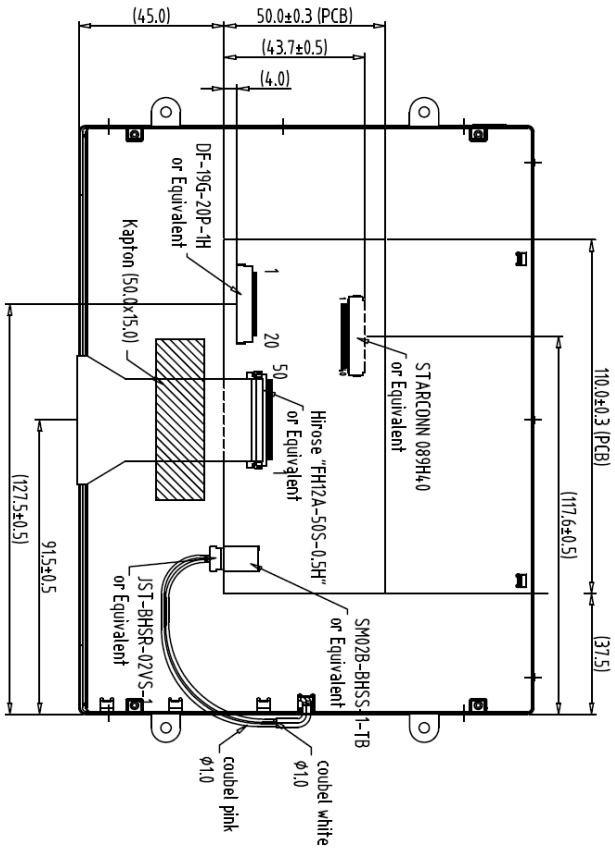
REV	REVISION RECORD	DATE	NAME
0	NEW RELEASE	01-14-11	EMILY
1	TFT-800600-85A-0 Rename to 800600P1-A0	03-01-11	EMILY
2	增加適用機種 (800600P4-A0 & 800600P4-A1)	06-04-13	EMILY

CN4	
1	VDD
2	VDD
3	GND
4	GND
5	INO-
6	INO+
7	GND
8	INO+
9	INO-
10	GND
11	IN2-
12	IN2+
13	GND
14	CLK-
15	CLK+
16	GND
17	VLED
18	VLED
19	GND
20	ADJ

Note:

1. Unless indicated, Tolerance Grade "±0.3".
2. UV Glue For OLB Protection.
3. CN1:BHSR-02VS-1
4. CN2:P0:5 50Pin Connector:Hirose "FH12A-50S-0.5H" or Equivalent
5. CN4:P1:0 20Pin Connector:HIROSHI DF19G-20P-1H or Equivalent

### Back View



### A Block

☑ 適用機種:  
800600P1-A0  
800600P1-A1  
800600P4-A0  
800600P4-A1

1	TFT-800600-85A-0	7	TOLERANCE GRADE(F)	A	B	MM	DWG. NO.	CHK.	DATE	DATE	DATE	DATE	DATE	DATE	DATE	DATE	DATE
2		8															
3		9															
4		10															
5		11															
6		12															

MM	DWG. NO.	CHK.	DATE	DATE	DATE	DATE	DATE
	800600P1-A0						

**AMPIRE** 晶采光電科技

800600P1-A0  
(8.0"±IVDS+LED Driver)

DWG. NO. 110116MB SHEET 1 OF 1