



晶采光電科技股份有限公司
AMPIRE CO., LTD.

SPECIFICATIONS FOR LCD MODULE

CUSTOMER	
CUSTOMER PART NO.	
AMPIRE PART NO.	AM-480234ATMCW-00H
APPROVED BY	
DATE	

- Approved For Specifications
 Approved For Specifications & Sample

AMPIRE CO., LTD.

**TOWER A, 4F, No.114, Sec. 1, HSIN-TAI 5th RD., HIS-CHIH,
TAIPEI HSIEN, TAIWAN(R.O.C.)**

台北縣汐止鎮新台五路一段114號4樓(東方科學園區A棟)

TEL:886-2-26967269, FAX:886-2-26967196 or 886-2-26967270

APPROVED BY	CHECKED BY	ORGANIZED BY

RECORD OF REVISION

Revision Date	Page	Contents	Editor
2004/10/4	-	New Release	Sam
2005/1/5	P.3	Modify Display Resolution and Weight Unit	Sam

1 Features

7 inch Amorphous-TFT-LCD (Thin Film Transistor Liquid Crystal Display) module for video equipments. This module is composed of a 7" TFT-LCD panel, a driver circuit and backlight unit.

- (1) Construction: 7" a-Si color TFT-LCD, White CCFL Backlight and PCB.
- (2) Resolution (pixel): 480(R.G.B) X234

2 Physical specifications

Item	Specifications	Unit	
Display resolution(dot)	1440 (W) x 234(H)	pixel	
Active area	156.6 (W) x 89.2 (H)	mm	
Screen size	7.0(Diagonal)	mm	
Dot pitch	0.107 (W) x 0.370 (H)	mm	
Color configuration	R.G.B stripe		
Overall dimension	164.9(W)x100.0(H)x5.7(D)	mm	
Weight	160±10	g	
Surface treatment	AG(5.5%) with WV film		
Backlight unit	CCFL		

3 Electrical specification

3.1 Absolute max. ratings

Item	Symbol	Condition	Min.	Max.	Unit	Remark
Power voltage	V _{CC}	GND=0	-0.3	7	V	
	A _{V_{DD}}	A _{V_{SS}} =0	-0.3	7	V	
	V _{GH}	GND=0	-0.3	18	V	
	V _{GL}		-15	0.3	V	
	V _{GH} -V _{GL}		-	33	V	
Input signal voltage	V _i		-0.3	A _{V_{DD}} +0.3	V	Note 1
	V ₁		-0.3	V _{CC} +0.3	V	Note 2
	V _{COM}		-2.9	5.2	V	

Note1:VR,VG,VB

Note2:STHL,STHR,OEHL,L/R,CPH1~CPH3,STVL,OEVL,CKV,U/D.

3.2 Electrical characteristics

a. Typical operating conditions (GND=AVss=0V, Note 4)

Item	Symbol	Min.	Typ.	Max.	Unit	Remark	
Power supply	V _{CC}	3	5	5.2	V		
	AV _{DD}	4.8	5	5.2	V		
	V _{GH}	14.3	15	15.7	V		
	V _{GL}	-10.5	-10	-9.5	V		
Video signal	V _{iA}	0.4	-	AV _{DD} -0.4	V	Note 1	
Amplitude (VR, VG, VB)	V _{iAC}	-	3	-	V	AC component	
	V _{iDC}	-	AV _{DD} /2	-	V	DC component	
VCOM	V _{CAC}	3.5	5.6	6.5	Vp-p	AC component, Note 2	
	V _{CDC}	1.4	1.7	2.0	V	DC component	
Input Signal voltage	H Level	V _{IH}	0.8 V _{CC}	-	V _{CC}	V	Note 3
	L Level	V _{IL}	0	-	0.2 V _{CC}		

Note1: Refer to Fig.2

Note2: The brightness of LCD panel could be changed by adjusting the AC component of VCOM.

Note3: STHL, STHR, OEHL, L/R, CPH1~CPH3, STVR, STVL, OEVL, CKV, U/D

Note4: Be sure to apply GND, V_{CC} and V_{GL} to the LCD first, and then apply V_{GH}.

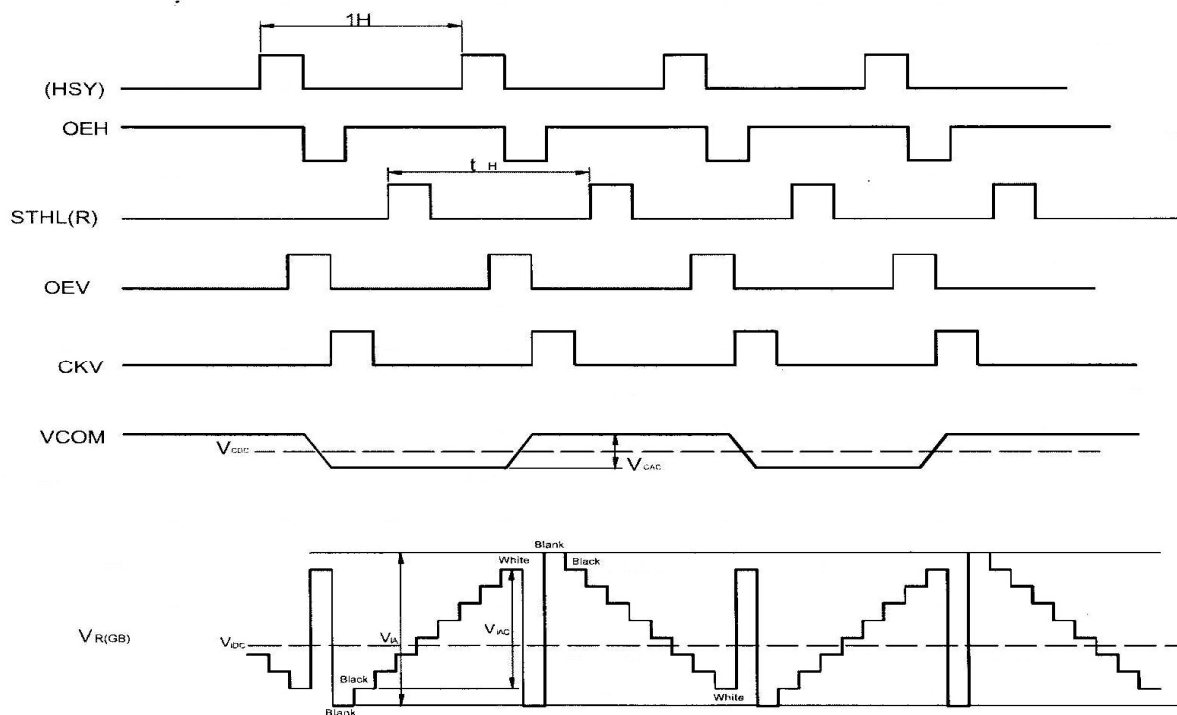


Fig.2 Horizontal timing

b. Current consumption (GND=AVss=0V)

Parameter	Symbol	Condition	Min.	Typ.	Max.	Unit	Remark
Current for driver	I _{GH}	V _{GH} =15V	-	0.20	0.5	mA	
	I _{GL}	V _{GL} =-10V	-	0.80	1.5	mA	
	I _{CC}	V _{CC} =5V	-	3.0	6.0	mA	
	I _{DD}	AV _{DD} =5V	-	17.0	30	mA	

c. Backlight driving conditions

Parameter	Symbol	Min.	Typ.	Max.	Unit	Remark
Lamp voltage	V _L	-	504	620	Vrms	
Lamp current	I _L	-	5.5	7	mArms	
Frequency	F _L	40	-	70	KHz	Note 3
Lamp starting voltage	V _s	-	-	920	Vrms	Note1,4
		-	-	1200	Vrms	Note2,4
Lamp life time		30,000	-	-	Hr	Note 5

Note 1: Ta=25°C

Note 2: Ta=0°C

Note 3: The lamp frequency should be selected as different as possible from display horizontal synchronous signal to avoid interference.

Note 4:For starting the backlight unit, the output voltage of DC/AC's transformer
Should be larger than the maximum lamp starting voltage.

Note 5:The “ Lamp life time” is defined as the module brightness decrease to 50%
Original brightness at Ta=25°C, I_L=6mA.

3.3 AC Timing

a. Timing condition

Parameter	Symbol	Min.	Typ.	Max.	Unit.	Remark
Rising time	t _r	-	-	10	ns	Note 1
Falling time	t _f	-	-	10	ns	Note 1
High tans low level pulse width	t _{CPH}	99	103	107	ns	CPH1~CPH3
CPH pulse duty	t _{CWH}	40	50	60	%	CPH1~CPH3
CPH pulse delay	t _{C12} t _{C23} t _{C31}	30	t _{CPH} /3	t _{CPH} /2	ns	CPH1~CPH3
STH setup time	t _{SUH}	20	-	-	ns	STHR,STHL
STH hold time	t _{HDH}	20	-	-	ns	STHR,STHL
STH pulse width	t _{STH}	-	1	-	t _{CPH}	STHR,STHL
STH period	t _H	61.5	63.5	65.5	μs	STHR,STHL
OEH pulse width	t _{OEH}	-	1.22	-	μs	OEH
Sample and hold disable time	t _{DIS1}	-	8.28	-	μs	
OEV pulse width	t _{OEV}	-	5.40	-	μs	OEV
CKV pulse width	t _{CKV}	-	4.18	-	μs	CKV
Clean enable time	t _{DIS2}	-	3.74	-	μs	
Horizontal display start	t _{SH}	-	0	-	T _{CPH} /3	
Horizontal display timing range	t _{DH}	-	1440	-	T _{CPH} /3	
STV setup time	t _{SUV}	400	-	-	ns	STVL,STVR
STV hold time	t _{HDV}	400	-	-	ns	STVL,STVR
STV pulse width	t _{STV}	-	-	1	t _H	STVL,STVR
Horizontal lines per field	t _v	256	262	268	t _H	Note 2
Vertical display start	t _{SV}		3	-	t _H	
Vertical display timing range	t _{DV}		234	-	t _H	
VCOM rising time	t _{rCOM}		-	5	μs	
VCOM falling time	t _{fCOM}		-	5	μs	
VCOM delay time	t _{DCOM}		-	3	μs	
RGB delay time.	t _{DCOM}		-	1	μs	

Note 1:For all of the logic signals.

Note 2:Please don't use odd horizontal lines to drive LCD panel for both odd and even field simultaneously.

b.Timing diagram

Please refer to the attached drawing,from Fig.3 to Fig.7

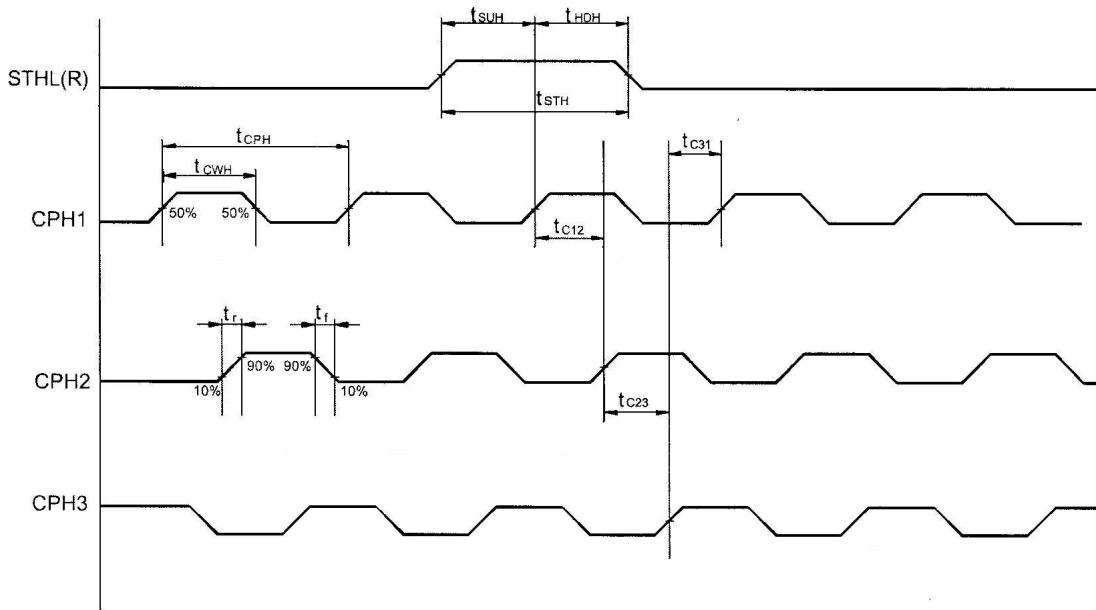


Fig.3 Sampling clock timing

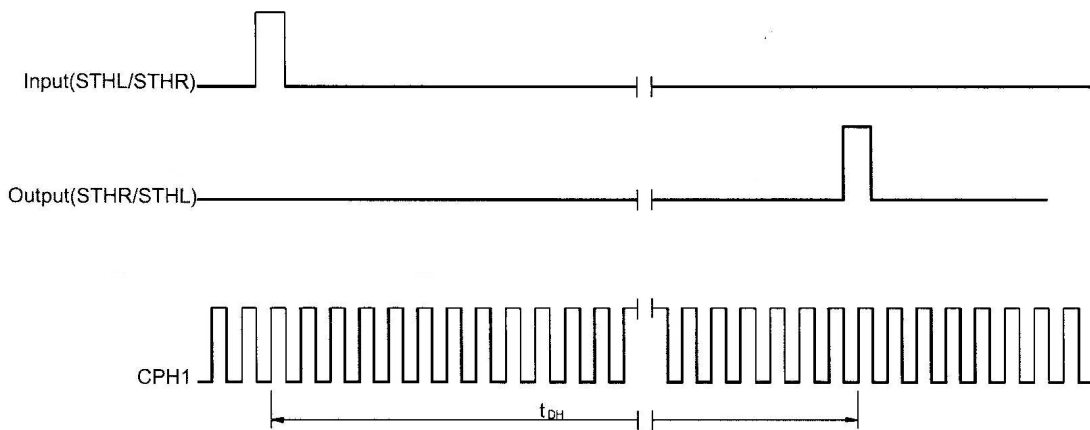


Fig.4 Horizontal display timing rage

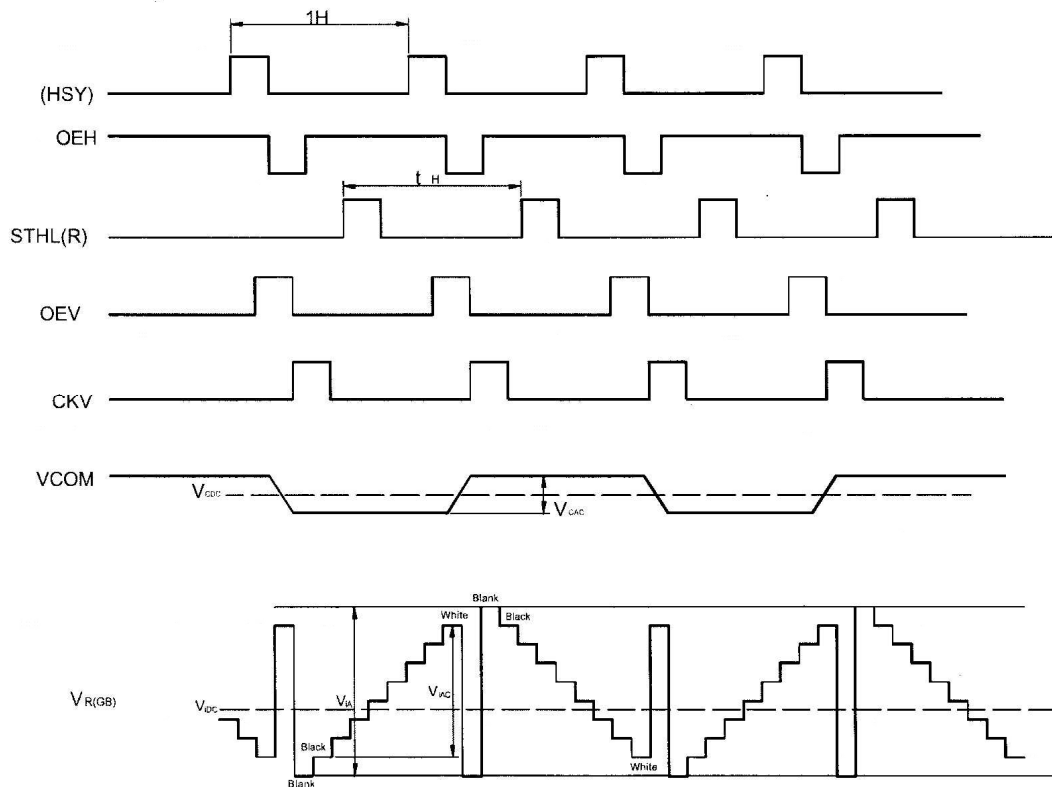


Fig.5 Horizontal timing

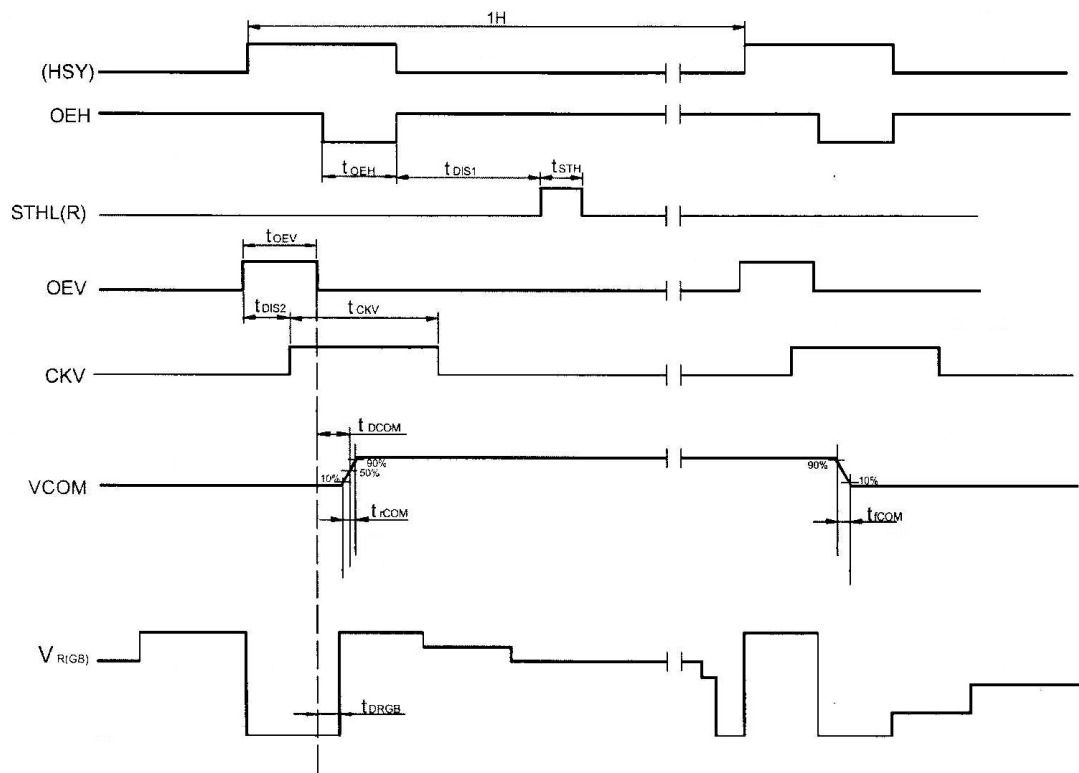


Fig.6 Detail horizontal timing

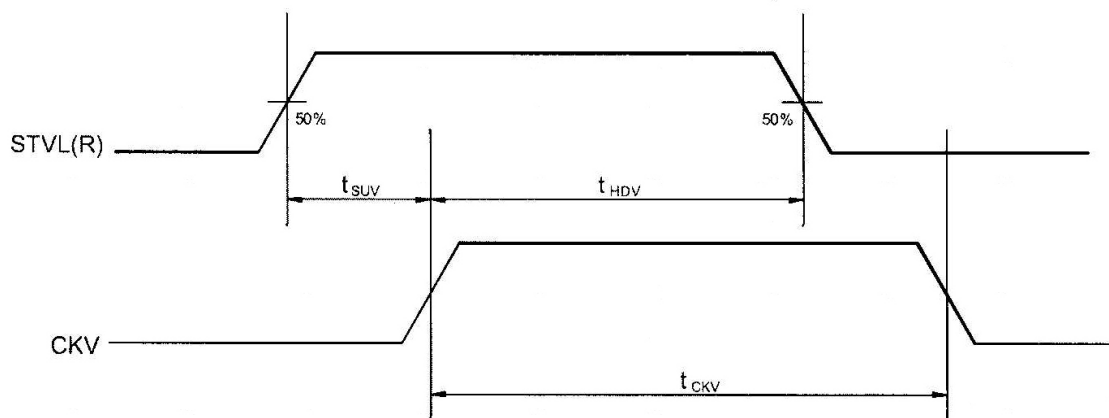


Fig.7 Vertical shift clock timing

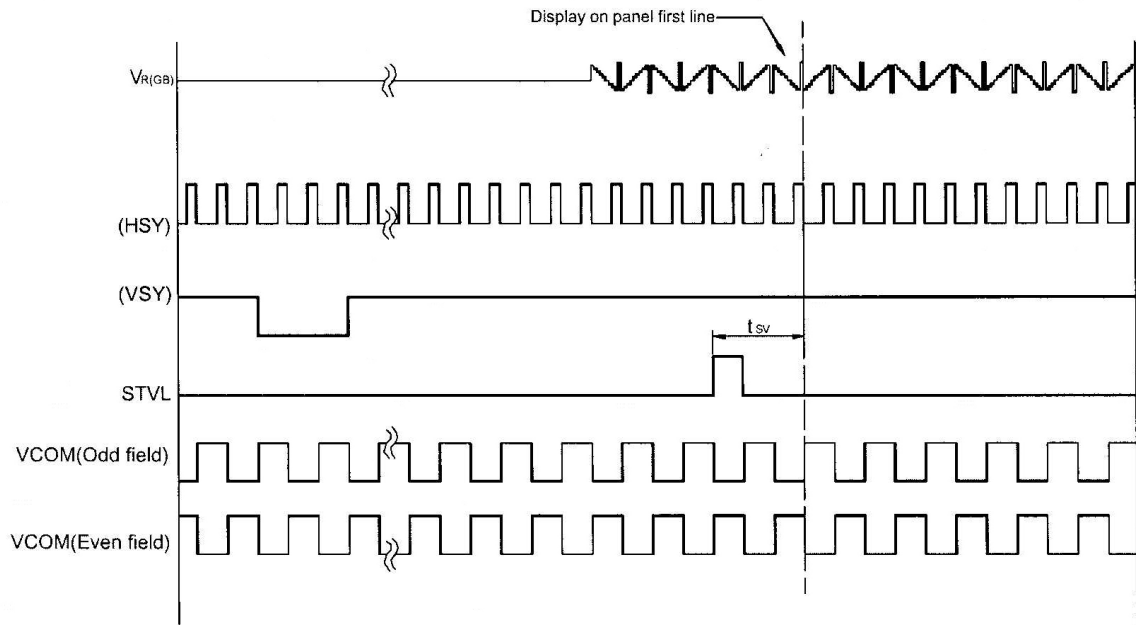


Fig.8 Vertical timing(From up to down)

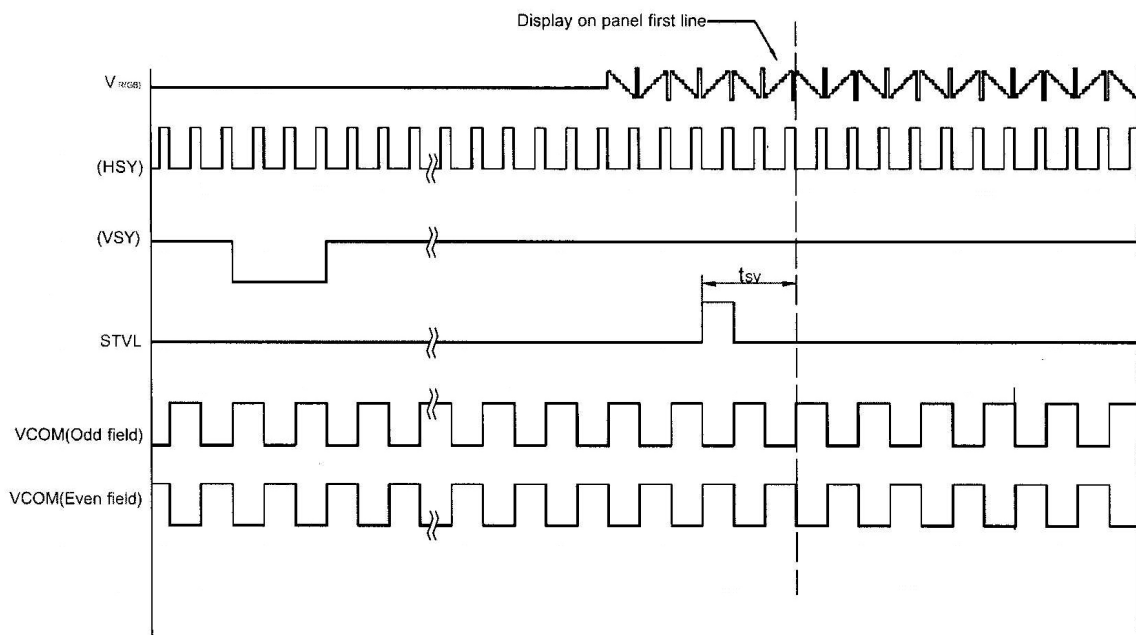
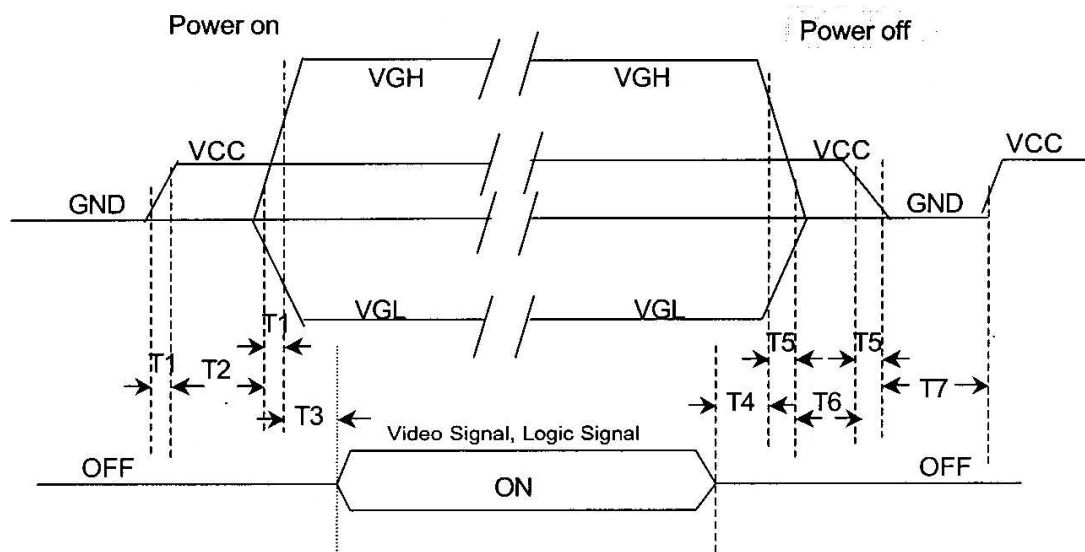


Fig.9 Horizontal timing(From down to up)

3.4 Power Sequence

Sequence for power on/off and signal on/off



- T1 \leq 15ms (From 10%*VCC to 90%*VCC , when VCC is Low to High) ;
- T2 \leq 10ms (From 90%*VCC to 10%*VGH , when VCC is Low to High) ;
- T3 \leq 10ms (From 90%*VGH to Video signal , when VGH is Low to High) ;
- T4 \leq 10ms (From Video signal to 90%*VGH , when VGH is High to Low) ;
- T5 \leq 20ms (From 90%*VCC to 10%*VCC , when VCC is High to Low) ;
- T6 \leq 10ms (From 10%*VGH to 90%*VCC , when VCC is Low to High) ;
- T7 \leq 0.4s (From 10%*VCC is H→L to 10%*VCC is L→H) .

4 Optical specification(Note1,Note2)

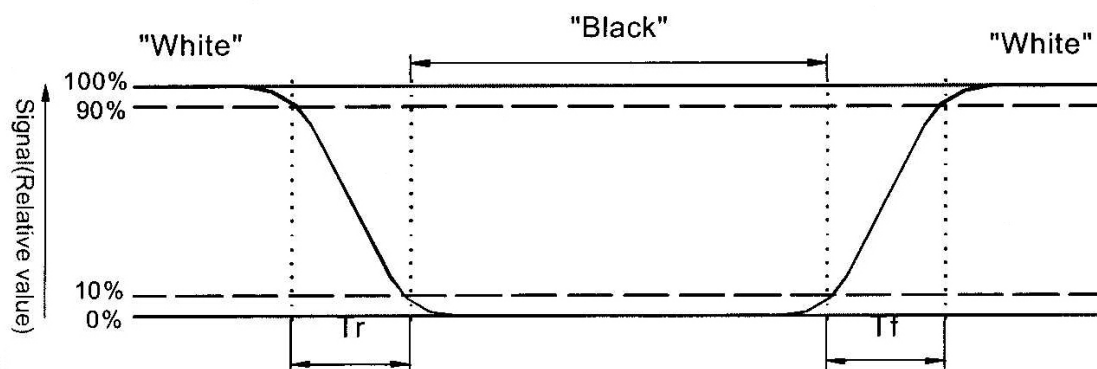
Item		Symbol	Conditon	Min.	Typ.	Max.	Unit	Remark
Response time	Rise	T_r	$\Theta=0^\circ$	-	12	50	ms	Note 3,5
	Fall	T_f		-	18	60	ms	
Contrast ratio		CR	At optimized viewing angle	250	350	-		Note 4,5
Viewing angle	Top		$CR \geq 10$	30	40	-	deg.	Note 5,6
	Bottom			50	60	-		
	Left			50	60	-		
	Right			50	60	-		
Viewing angle	Top		$CR \geq 5$	30	50	-	deg.	Note 5,6
	Bottom			60	70	-		
	Left			60	70	-		
	Right			60	70	-		
Brightness		Y_L	$I_L=5mA, 25^\circ C$	350	420	-	cd/m^2	Note 7
			$I_L=6mA, 25^\circ C$	-	500		cd/m^2	
White chromaticity		X	$\Theta=0^\circ$	0.26	0.32			Note 7
		Y	$\Theta=0^\circ$	0.28	0.33			

Note 1: Ambient temperature= $25^\circ C$, and lamp current $I_L=6$ mArms. To be measured in the dark room.

Note 2: To be measured on the center area of panel with a viewing cone of 1° by Topcon luminance meter BM-7, after 10 minutes operation.

Note 3. Definition of response time:

The output signals of photo detector are measured when the input signals are changed from "black" to "white" (falling time) and from "white" to "black" (rising time), respectively. The response time is defined as the time interval between the 10% and 90% of amplitudes. Refer to figure as below.



Note 4. Definition of contrast ratio:

Contrast ratio is calculated with the following formula.

$$\text{Contrast ratio(CR)} = \frac{\text{Photo detector output when LCD is at "White" state}}{\text{Photo detector Output when LCD is at "Black" state}}$$

Note 5: White $V_i = V_{i50} + 1.5V$

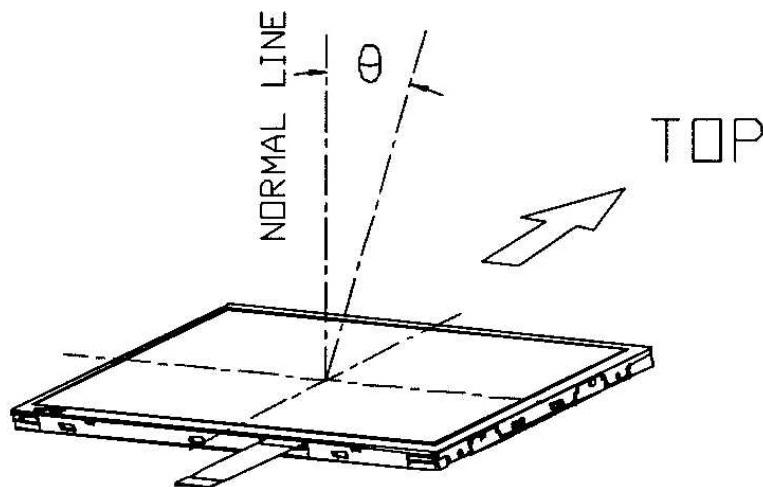
Black $V_i = V_{i50} + 2.0V$

“±” means that the analog input signal swings in phase with V_{COM} signal.

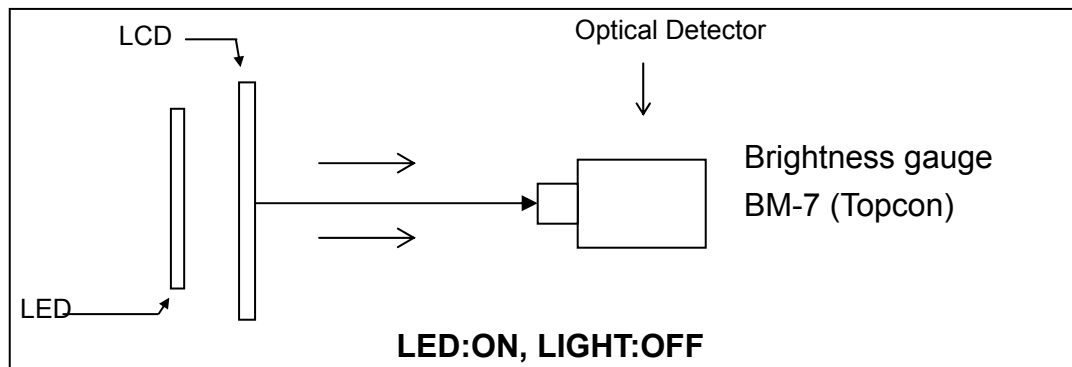
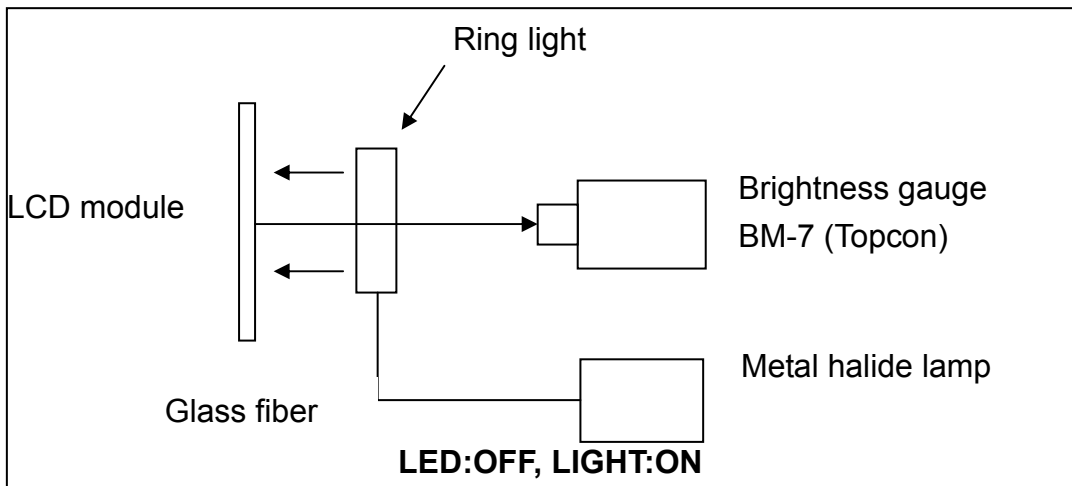
“ $\frac{-}{+}$ ” means that the analog input signal swings out of phase with V_{COM} signal.

V_{i50} : The analog input voltage when transmission is 50%. The 100% Transmission is defined as the transmission of LCD panel when all the Input terminals of module are electrically opened.

Note 6. Definition of viewing angle, Refer to figure as below.



Note 7. Measured at the center area of the panel when all the input terminals of LCD panel are electrically opened.



5 Interface specifications

a.TFT –LCD panel driving section

Pin no	Symbol	I/O	Description	Remark
1	GND	-	Ground for logic circuit	
2	V _{CC}	I	Supply voltage of logic control circuit for scan drive	
3	V _{GL}	I	Negative power for scan driver	
4	V _{GH}	I	Positive power for scan driver	
5	STVR	I/O	Vertical start pulse	Note 1
6	STVL	I/O	Vertical start pulse	Note 1
7	CKV	I	Shift clock input for scan driver	
8	U/D	I	UP/DOWN scan control input	Note 1,2
9	OEV	I	Output enable input for scan driver	
10	VCOM	I	Common electrode driving signal	
11	VCOM	I	Common electrode driving signal	
12	L/R	I	LEFT/RIGHT scan control input	Note 1,2
13	MOD	I	Sequential sampling and simultaneous sampling setting	Note 3
14	OEH	I	Output enable input for data driver	
15	STHL	I/O	Start pulse for horizontal scan line	Note 1
16	STHR	I/O	Start pulse for horizontal scan line	Note 1
17	CPH3	I	Sampling and shifting clock pulse for data driver	
18	CPH2	I	Sampling and shifting clock pulse for data driver	
19	CPH1	I	Sampling and shifting clock pulse for data driver	
20	V _{CC}	I	Supply voltage of logic control circuit for data driver	
21	GND	-	Ground fo logic circuit	
22	VR	I	Altemated video signal input(Red)	
23	VG	I	Altemated video signal input(Green)	
24	VB	I	Altemated video signal input(Blue)	
25	AV _{DD}	I	Supply voltage for analog circuit	
26	AV _{SS}	-	Ground for analog circuit	

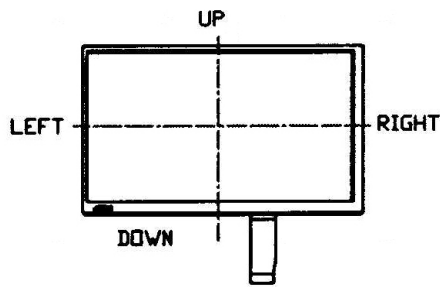
Note 1: Selection of scanning mode(please refer to the following table)

Setting of scan Control input		IN/OUT state for start pulse				Scanning direction
U/D	L/R	STVR	STVL	STHR	STHL	
GND	V _{CC}	OUT	IN	OUT	IN	From up to down,and from left to right
V _{CC}	GND	IN	OUT	IN	OUT	From down to up,and from right to left
GND	GND	OUT	IN	IN	OUT	From up to down,and from right to left
V _{CC}	V _{CC}	IN	OUT	OUT	IN	From down to up,and from left to right

IN: Input; OUT: output

Note 2:Definition of scanning direction.

Refer to figure as below:



Note 3:MOD = H:Simultaneous sampling.

MOD = L:Sequential sampling.

Please set CPH2 and CPH3 to GND when MOD =H

b.Backlight driving section

No.	Symbol	I/O	Description	Remark
1	HI	I	Power supply for backlight unit(High voltage)	-
2	GND	-	Ground for backlight unit	-

6 QUALITY AND RELIABILITY

6.1 TEST CONDITIONS

Tests should be conducted under the following conditions :

Ambient temperature : $25 \pm 5^{\circ}\text{C}$

Humidity : $60 \pm 25\% \text{ RH.}$

6.2 SAMPLING PLAN

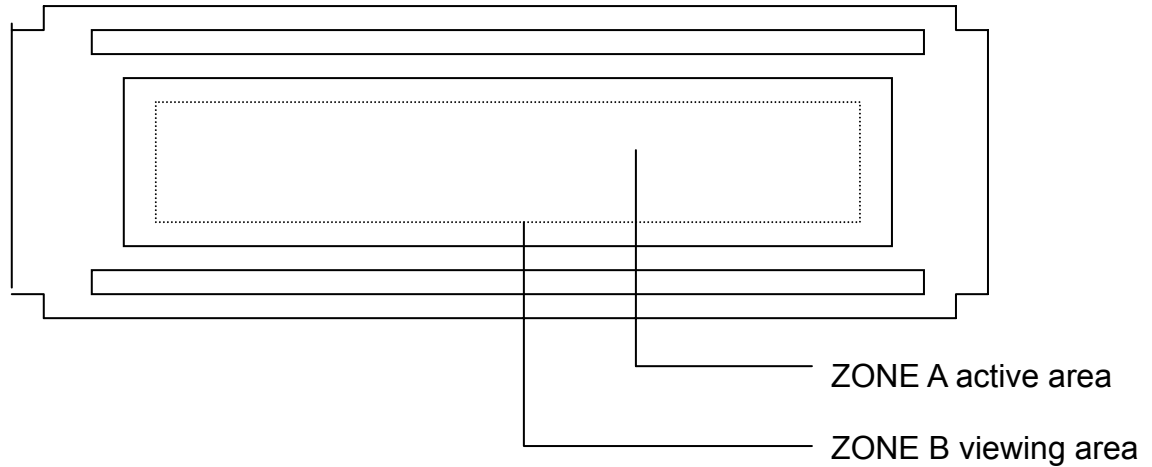
Sampling method shall be in accordance with MIL-STD-105E , level II, normal single sampling plan .

6.3 ACCEPTABLE QUALITY LEVEL

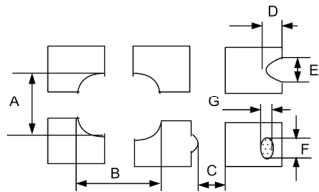
A major defect is defined as one that could cause failure to or materially reduce the usability of the unit for its intended purpose. A minor defect is one that does not materially reduce the usability of the unit for its intended purpose or is an infringement from established standards and has no significant bearing on its effective use or operation.

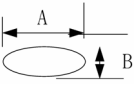
6.4 APPEARANCE

An appearance test should be conducted by human sight at approximately 30 cm distance from the LCD module under fluorescent light. The inspection area of LCD panel shall be within the range of following limits.



6.5 INSPECTION QUALITY CRITERIA

No.	Item	Criterion for defects	Defect type															
1	Non display	No non display is allowed	Major															
2	Irregular operation	No irregular operation is allowed	Major															
3	Short	No short are allowed	Major															
4	Open	Any segments or common patterns that don't activate are rejectable.	Major															
5	Black/White spot (I)	<table border="1" style="width: 100%; border-collapse: collapse;"> <thead> <tr> <th style="text-align: center;">Size D (mm)</th> <th style="text-align: center;">Acceptable number</th> </tr> </thead> <tbody> <tr> <td style="text-align: center;">$D \leq 0.15$</td> <td style="text-align: center;">Ignore</td> </tr> <tr> <td style="text-align: center;">$0.15 < D \leq 0.20$</td> <td style="text-align: center;">3</td> </tr> <tr> <td style="text-align: center;">$0.20 < D \leq 0.30$</td> <td style="text-align: center;">2</td> </tr> <tr> <td style="text-align: center;">$0.30 < D$</td> <td style="text-align: center;">0</td> </tr> </tbody> </table>	Size D (mm)	Acceptable number	$D \leq 0.15$	Ignore	$0.15 < D \leq 0.20$	3	$0.20 < D \leq 0.30$	2	$0.30 < D$	0	Minor					
Size D (mm)	Acceptable number																	
$D \leq 0.15$	Ignore																	
$0.15 < D \leq 0.20$	3																	
$0.20 < D \leq 0.30$	2																	
$0.30 < D$	0																	
6	Black/White line (I)	<table border="1" style="width: 100%; border-collapse: collapse;"> <thead> <tr> <th style="text-align: center;">Length(mm)</th> <th style="text-align: center;"></th> <th style="text-align: center;">Acceptable number</th> </tr> </thead> <tbody> <tr> <td style="text-align: center;">$10 < L$</td> <td style="text-align: center;">$0.03 < W \leq 0.04$</td> <td style="text-align: center;">5</td> </tr> <tr> <td style="text-align: center;">$5.0 < L \leq 10$</td> <td style="text-align: center;">$0.04 < W \leq 0.06$</td> <td style="text-align: center;">3</td> </tr> <tr> <td style="text-align: center;">$1.0 < L \leq 5.0$</td> <td style="text-align: center;">$0.06 < W \leq 0.07$</td> <td style="text-align: center;">2</td> </tr> <tr> <td style="text-align: center;">$L \leq 1.0$</td> <td style="text-align: center;">$0.07 < W \leq 0.09$</td> <td style="text-align: center;">1</td> </tr> </tbody> </table>	Length(mm)		Acceptable number	$10 < L$	$0.03 < W \leq 0.04$	5	$5.0 < L \leq 10$	$0.04 < W \leq 0.06$	3	$1.0 < L \leq 5.0$	$0.06 < W \leq 0.07$	2	$L \leq 1.0$	$0.07 < W \leq 0.09$	1	Minor
Length(mm)		Acceptable number																
$10 < L$	$0.03 < W \leq 0.04$	5																
$5.0 < L \leq 10$	$0.04 < W \leq 0.06$	3																
$1.0 < L \leq 5.0$	$0.06 < W \leq 0.07$	2																
$L \leq 1.0$	$0.07 < W \leq 0.09$	1																
7	Black/White sport (II)	<table border="1" style="width: 100%; border-collapse: collapse;"> <thead> <tr> <th style="text-align: center;">Size D (mm)</th> <th style="text-align: center;">Acceptable number</th> </tr> </thead> <tbody> <tr> <td style="text-align: center;">$D \leq 0.30$</td> <td style="text-align: center;">Ignore</td> </tr> <tr> <td style="text-align: center;">$0.30 < D \leq 0.50$</td> <td style="text-align: center;">5</td> </tr> <tr> <td style="text-align: center;">$0.50 < D \leq 1.20$</td> <td style="text-align: center;">3</td> </tr> <tr> <td style="text-align: center;">$1.20 < D$</td> <td style="text-align: center;">0</td> </tr> </tbody> </table>	Size D (mm)	Acceptable number	$D \leq 0.30$	Ignore	$0.30 < D \leq 0.50$	5	$0.50 < D \leq 1.20$	3	$1.20 < D$	0	Minor					
Size D (mm)	Acceptable number																	
$D \leq 0.30$	Ignore																	
$0.30 < D \leq 0.50$	5																	
$0.50 < D \leq 1.20$	3																	
$1.20 < D$	0																	
8	Black/White line (II)	<table border="1" style="width: 100%; border-collapse: collapse;"> <thead> <tr> <th style="text-align: center;">Length (mm)</th> <th style="text-align: center;">Width (mm)</th> <th style="text-align: center;">Acceptable number</th> </tr> </thead> <tbody> <tr> <td style="text-align: center;">$20 < L$</td> <td style="text-align: center;">$0.05 < W \leq 0.07$</td> <td style="text-align: center;">5</td> </tr> <tr> <td style="text-align: center;">$10 < L \leq 20$</td> <td style="text-align: center;">$0.07 < W \leq 0.09$</td> <td style="text-align: center;">3</td> </tr> <tr> <td style="text-align: center;">$5.0 < L \leq 10$</td> <td style="text-align: center;">$0.09 < W \leq 0.10$</td> <td style="text-align: center;">2</td> </tr> <tr> <td style="text-align: center;">$L \leq 5.0$</td> <td style="text-align: center;">$0.10 < W \leq 0.15$</td> <td style="text-align: center;">1</td> </tr> </tbody> </table>	Length (mm)	Width (mm)	Acceptable number	$20 < L$	$0.05 < W \leq 0.07$	5	$10 < L \leq 20$	$0.07 < W \leq 0.09$	3	$5.0 < L \leq 10$	$0.09 < W \leq 0.10$	2	$L \leq 5.0$	$0.10 < W \leq 0.15$	1	Minor
Length (mm)	Width (mm)	Acceptable number																
$20 < L$	$0.05 < W \leq 0.07$	5																
$10 < L \leq 20$	$0.07 < W \leq 0.09$	3																
$5.0 < L \leq 10$	$0.09 < W \leq 0.10$	2																
$L \leq 5.0$	$0.10 < W \leq 0.15$	1																
9	Back Light	1. No Lighting is rejectable 2. Flickering and abnormal lighting are rejectable	Major															
10	Display pattern	<div style="text-align: center;">  <p style="text-align: center;">Unit:mm</p> <table border="1" style="width: 100%; border-collapse: collapse;"> <tbody> <tr> <td style="text-align: center;">$\frac{A+B}{2} \leq 0.30$</td> <td style="text-align: center;">$0 < C$</td> <td style="text-align: center;">$\frac{D+E}{2} \leq 0.25$</td> <td style="text-align: center;">$\frac{F+G}{2} \leq 0.25$</td> </tr> </tbody> </table> <p style="text-align: center;">Note: 1. Acceptable up to 3 damages 2. NG if there're to two or more pinholes per dot</p> </div>	$\frac{A+B}{2} \leq 0.30$	$0 < C$	$\frac{D+E}{2} \leq 0.25$	$\frac{F+G}{2} \leq 0.25$	Minor											
$\frac{A+B}{2} \leq 0.30$	$0 < C$	$\frac{D+E}{2} \leq 0.25$	$\frac{F+G}{2} \leq 0.25$															

11	Blemish & Foreign matters Size: $D = \frac{A+B}{2}$	Size D (mm)		Acceptable number	Minor	
		$D \leq 0.15$		Ignore		
12	Scratch on Polarizer 	Width (mm)		Length (mm)	Acceptable number	Minor
		$W \leq 0.03$		Ignore	Ignore	
		$0.03 < W \leq 0.05$		$L \leq 2.0$	Ignore	
		$0.05 < W \leq 0.08$		$L > 2.0$	1	
		$0.08 < W$		$L > 1.0$	1	
			$L \leq 1.0$	Ignore		
			Note (1)	Note(1)		
		Note(1) Regard as a blemish				
13	Bubble in polarizer	Size D (mm)		Acceptable number	Minor	
		$D \leq 0.20$		Ignore		
14	Stains on LCD panel surface	$0.20 < D \leq 0.50$		3	Minor	
		$0.50 < D \leq 0.80$		2		
		$0.80 < D$		0		
		Stains that cannot be removed even when wiped lightly with a soft cloth or similar cleaning too are rejectable.				
15	Rust in Bezel	Rust which is visible in the bezel is rejectable.			Minor	
16	Defect of land surface contact (poor soldering)	Evident crevices which is visible are rejectable.			Minor	
17	Parts mounting	1. Failure to mount parts 2. Parts not in the specifications are mounted 3. Polarity, for example, is reversed			Major Major Major	
18	Parts alignment	1. LSI, IC lead width is more than 50% beyond pad outline.			Minor	
		2. Chip component is off center and more than 50% of the leads is off the pad outline.			Minor	
19	Conductive foreign matter (Solder ball, Solder chips)	$0.45 < \varphi$	$N \geq 1$		Major	
		$0.30 < \varphi \leq 0.45$	$N \geq 1$		Minor	
		φ : Average diameter of solder ball (unit: mm)				
		$0.50 < L$	$N \geq 1$		Minor	
		L: Average length of solder chip (unit: mm)				
20	Faulty PCB correction	1. Due to PCB copper foil pattern burnout, the pattern is connected, using a jumper wire for repair; 2 or more places are corrected per PCB.			Minor	
		2. Short circuited part is cut, and no resist coating has been performed.			Minor	

7 Reliability test items (Note2):

No.	Test items	Conditions	Remark
1	High temperature storage	Ta=95°C 240Hrs	
2	Low temperature storage	Ta=-40°C 240Hrs	
3	High temperature operation	Ta=85°C 240Hrs	
4	High temperature and high humidity	Ta=60°C,90% RH 240Hrs	Operation
5	Heat shock	-30°C~85°C/200 cycles 1Hrs/cycle	Non-operation
6	Electrostatic discharge	±200V,200Pf(0Ω),once for each terminal	Non-operation
7	Vibration	Frequency range :8~33.3Hz Stoke :1.3mm Sweep :2.9G,33.3~400Hz Cycle :15 minutes 2 hours for each direction of X,Z 4 hours for Y direction	JIS C7021, A-10 Condition A
8	Mechanical shock	100G, 6ms,±X, ±Y,±Z 3 times for each direction	JIS C7021, A-7 Condition C
9	Vibration (With carton)	Random vibration: 0.015G ² /Hz from 5~200Hz -6dB/octave from 200~500Hz	IEC 68~34
10	Drop (with carton)	Height:60cm 1 corner,3 edges,6 surfaces	JIS Z0202

8 USE PRECAUTIONS

8.1 Handling precautions

- 1) The polarizing plate may break easily so be careful when handling it. Do not touch, press or rub it with a hard-material tool like tweezers.
- 2) Do not touch the polarizing plate surface with bare hands so as not to make it dirty. If the surface or other related part of the polarizing plate is dirty, soak a soft cotton cloth or chamois leather in benzine and wipe off with it. Do not use chemical liquids such as acetone, toluene and isopropyl alcohol. Failure to do so may bring chemical reaction phenomena and deteriorations.
- 3) Remove any spit or water immediately. If it is left for hours, the suffered part may deform or decolorize.
- 4) If the LCD element breaks and any LC stuff leaks, do not suck or lick it. Also if LC stuff is stuck on your skin or clothing, wash thoroughly with soap and water immediately.

8.2 Installing precautions

- 1) The PCB has many ICs that may be damaged easily by static electricity. To prevent breaking by static electricity from the human body and clothing, earth the human body properly using the high resistance and discharge static electricity during the operation. In this case, however, the resistance value should be approx. $1M\Omega$ and the resistance should be placed near the human body rather than the ground surface. When the indoor space is dry, static electricity may occur easily so be careful. We recommend the indoor space should be kept with humidity of 60% or more. When a soldering iron or other similar tool is used for assembly, be sure to earth it.
- 2) When installing the module and ICs, do not bend or twist them. Failure to do so may crack LC element and cause circuit failure.
- 3) To protect LC element, especially polarizing plate, use a transparent protective plate (e.g., acrylic plate, glass etc) for the product case.
- 4) Do not use an adhesive like a both-side adhesive tape to make LCD surface (polarizing plate) and product case stick together. Failure to do so may cause the polarizing plate to peel off.

8.3 Storage precautions

- 1) Avoid a high temperature and humidity area. Keep the temperature between 0°C and 35°C and also the humidity under 60%.
- 2) Choose the dark spaces where the product is not exposed to direct sunlight or fluorescent light.

-
- 3) Store the products as they are put in the boxes provided from us or in the same conditions as we recommend.

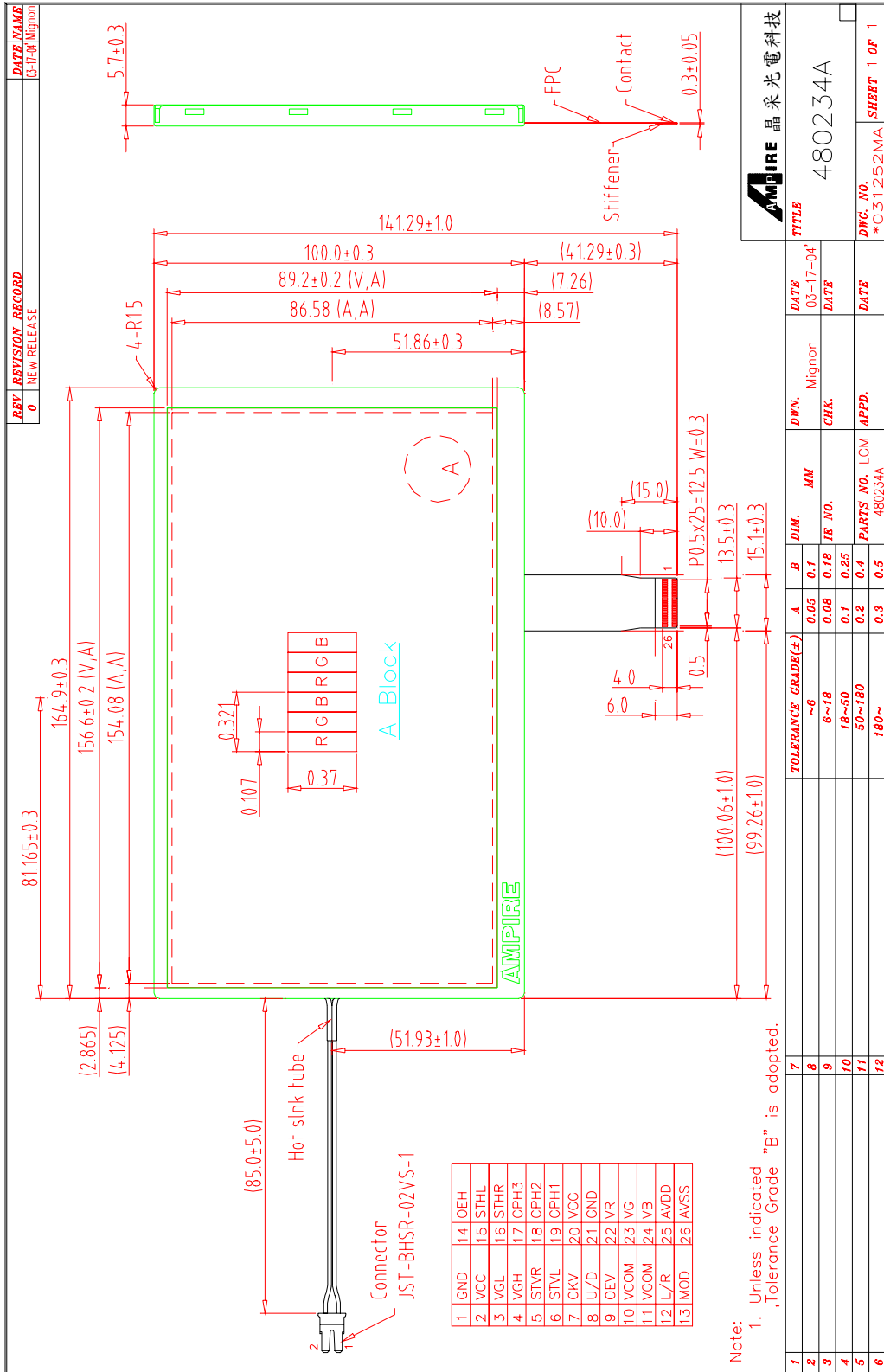
8.4 Operating precautions

- 1) Do not boost the applied drive voltage abnormally. Failure to do so may break ICs. When applying power voltage, check the electrical features beforehand and be careful. Always turn off the power to the LC module controller before removing or inserting the LC module input connector. If the input connector is removed or inserted while the power is turned on, the LC module internal circuit may break.
- 2) The display response may be late if the operating temperature is under the normal standard, and the display may be out of order if it is above the normal standard. But this is not a failure; this will be restored if it is within the normal standard.
- 3) The LCD contrast varies depending on the visual angle, ambient temperature, power voltage etc. Obtain the optimum contrast by adjusting the LC drive voltage.
- 4) When carrying out the test, do not take the module out of the low-temperature space suddenly. Failure to do so will cause the module condensing, leading to malfunctions.
- 5) Make certain that each signal noise level is within the standard (L level: 0.2V_{dd} or less and H level: 0.8V_{dd} or more) even if the module has functioned properly. If it is beyond the standard, the module may often malfunction. In addition, always connect the module when making noise level measurements.
- 6) The CMOS ICs are incorporated in the module and the pull-up and pull-down function is not adopted for the input so avoid putting the input signal open while the power is ON.
- 7) The characteristic of the semiconductor element changes when it is exposed to light emissions, therefore ICs on the LCD may malfunction if they receive light emissions. To prevent these malfunctions, design and assemble ICs so that they are shielded from light emissions.
- 8) Crosstalk occurs because of characteristics of the LCD. In general, crosstalk occurs when the regularized display is maintained. Also, crosstalk is affected by the LC drive voltage. Design the contents of the display, considering crosstalk.

8.5 Other

- 1) Do not disassemble or take the LC module into pieces. The LC modules once disassembled or taken into pieces are not the guarantee articles.
- 2) The residual image may exist if the same display pattern is shown for hours. This residual image, however, disappears when another display pattern is shown or the drive is interrupted and left for a while. But this is not a problem on reliability.

9 OUTLINE DIMENSION



AMPIRE 晶采光電科技

TITLE: 480234A

DATE: 03-17-04

DATE: Mignon

DATE: *O31252MA

DWG. NO. SHEET 1 OF 1

