

Picture coming soon

FEATURES:

- Wide 4:1 Input Voltage Range
- High efficiency up to 85%
- 1500 VDC Isolation
- Low ripple & noise
- Operating Temperature -40°C to +85°C
- Output Over Voltage protection
- Continuous Short Circuit Protection

Models
Single output



Model	Input Voltage (V)	Output Voltage (V)	Output Current max (mA)	Isolation (VDC)	Max Capacitive Load(uF)	Efficiency (%)
AM6CW-11005S-NZ	40-160	5	1200	1500	1000	81
AM6CW-11012S-NZ	40-160	12	500	1500	100	83
AM6CW-11015S-NZ	40-160	15	400	1500	100	85
AM6CW-11024S-NZ	40-160	24	250	1500	47	85

NOTE: All specifications in this datasheet are measured at an ambient temperature of 25°C, humidity<75%, nominal input voltage and at rated output load unless otherwise specified.

Input Specifications

Parameters	Nominal	Typical	Maximum	Units
Voltage range	110	40-160		VDC
Filter		Pi		
Absolute Maximum Rating (100ms)	110		180	VDC
No Load Input Current		2		mA
Input reflected current		20		mA

Isolation Specifications

Parameters	Conditions	Typical	Maximum	Units
Tested I/O voltage	60 sec, <1mA	1500		VDC
Resistance	500VDC		>1000	MOhm
Capacitance		1000		pF

Output Specifications

Parameters	Conditions	Typical	Maximum	Units
Voltage accuracy		±2		%
Over voltage protection		110-140		% of Vo
Short Circuit protection		Continuous		
Short circuit restart		Auto-Recovery		
Line voltage regulation	Full load, LL to HL	±0.5		% of Vin
Load voltage regulation	5% to 100% load	±1		%
Temperature coefficient	100% load		±0.03	%/°C
Ripple		25		mV p-p
Noise		100		mV p-p
Transient recovery time	25% load step change		1	mS
Transient recovery deviation	25% load step change	±5		%

General Specifications

Parameters	Conditions	Typical	Maximum	Units
Switching frequency	100% load	300		KHz
Operating temperature	Derating above 71°C		-40 to +85	°C
Storage temperature		-55 to +125		°C
Maximum case temperature			100	°C
Cooling		Free air convection		

General Specifications (continued)

Parameters	Conditions	Typical	Maximum	Units
Humidity			95	% RH
Case material		Aluminum Alloy		
Weight		14		g
Dimensions (L x W x H)		1 x 1 x 0.46 inches	25.40 x 25.40 x 11.70 mm	
MTBF		>1,000,000 hours (MIL-HDBK -217F, Ground Benign, t=+25°C)		
Maximum soldering temperature	1.5mm from case for 10 sec		300	°C
Vibrations		5-150Hz, Displacement: 7.5mm, Acceleration: 2g		

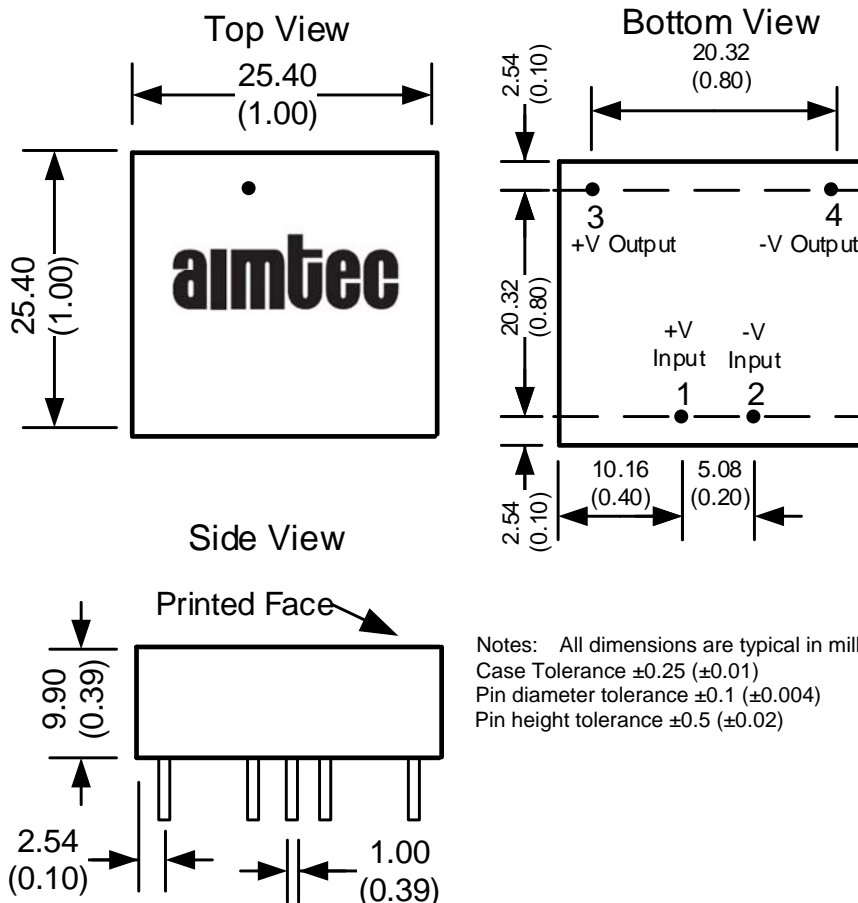
Safety Specifications

Parameters	
Standards	Meets EN60950-1 EN 55022, class B (with the recommended EMC circuit)

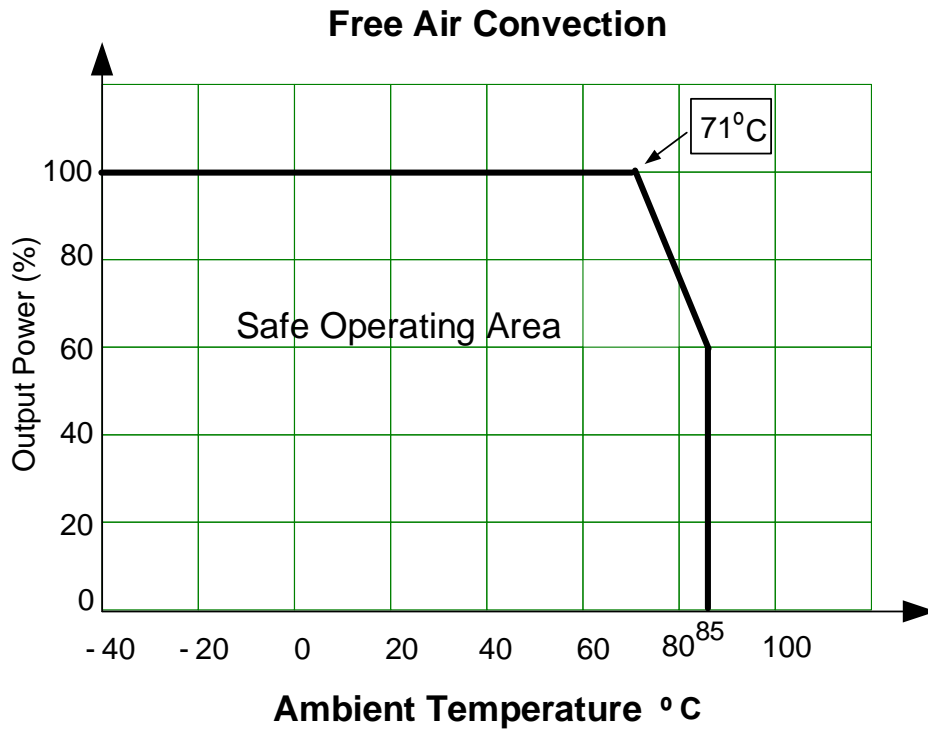
Pin Out Specifications

Pin	Single
1	-Vin
2	+Vin
3	+Vout
4	-Vout

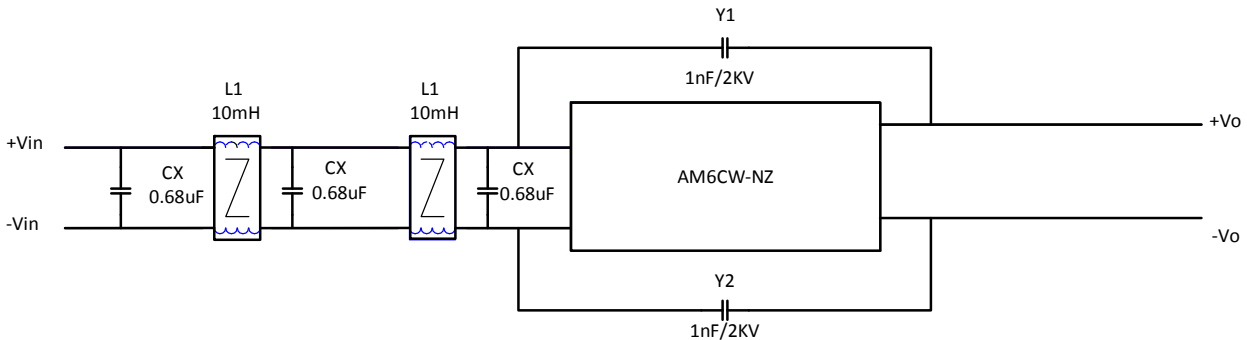
Dimensions



Derating



Recommended EMC Circuit



NOTE: 1. Datasheets are updated as needed and as such, specifications are subject to change without notice. Once printed or downloaded, datasheets are no longer controlled by Aimtec; refer to www.aimtec.com for the most current product specifications. 2. Product labels shown, including safety agency certifications on labels, may vary based on the date manufactured. 3. Mechanical drawings and specifications are for reference only. 4. All specifications are measured at an ambient temperature of 25°C, humidity<75%, nominal input voltage and at rated output load unless otherwise specified. 5. Aimtec may not have conducted destructive testing or chemical analysis on all internal components and chemicals at the time of publishing this document. CAS numbers and other limited information are considered proprietary and may not be available for release. 6. This product is not designed for use in critical life support systems, equipment used in hazardous environments, nuclear control systems or other such applications which necessitate specific safety and regulatory standards other the ones listed in this datasheet. 7. Warranty is in accordance with Aimtec's standard Terms of Sale available at www.aimtec.com.