

# Am7990

Local Area Network Controller for Ethernet (LANCE)

## DISTINCTIVE CHARACTERISTICS

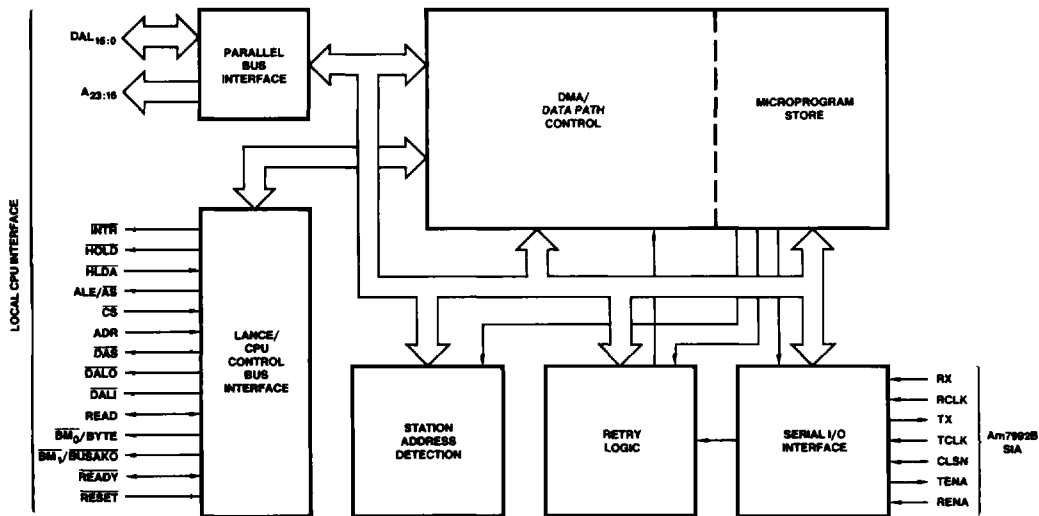
- Compatible with Ethernet and IEEE-802.3 10Base5 Type A, and 10Base2 Type B, "Cheapernet")
- Easily interfaced to 8086, 68000, Z8000\*, LSI-II\*\* microprocessors
- On-board DMA and buffer management, 48 byte FIFO
- 24-bit wide linear addressing (Bus Master Mode)
- Network and packet error reporting
- Back-to-back packet reception with as little as 4.1  $\mu$ sec interpacket gap time
- Diagnostic Routines
  - Internal/external loop back
  - CRC logic check
  - Time domain reflectometer

## GENERAL DESCRIPTION

The Am7990 Local Area Network Controller for Ethernet (LANCE) is a 48-pin VLSI device designed to greatly simplify interfacing a microcomputer or minicomputer to an IEEE-802.3/Ethernet Local Area Network. The LANCE, in conjunction with the Am7992B Serial Interface Adapter (SIA), Am7996 Transceiver, and closely coupled local memory and microprocessor, is intended to provide the

user with a complete interface module for an Ethernet network. The Am7990 is designed using a scaled N-Channel MOS technology and is compatible with a variety of microprocessors. On-board DMA, advanced buffer management, and extensive error reporting and diagnostics facilitate design and improve system performance.

## BLOCK DIAGRAM

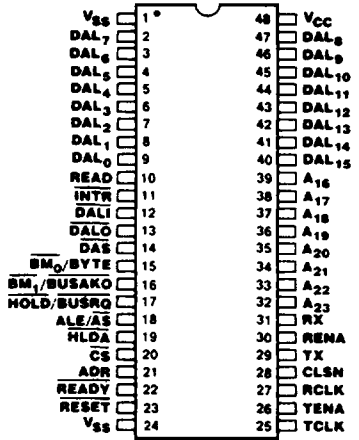


BD002063

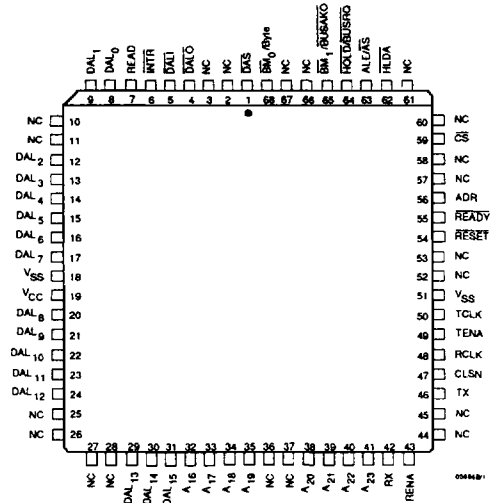
## RELATED AMD PRODUCTS

Part No.	Description
Am7992B	Serial Interface Adaptor (SIA)
Am7996	IEEE-802.3/Ethernet/Cheapernet Transceiver
Am79C900	Integrated Local Area Communications Controller

## CONNECTION DIAGRAMS Top View



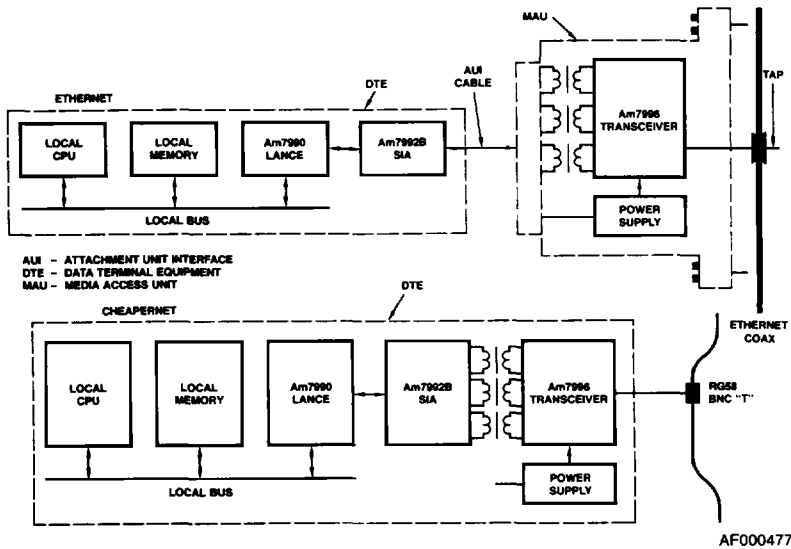
CD001450



CD011930

Note: Pin 1 is marked for orientation.

## TYPICAL ETHERNET/CHEAPERNET NODE

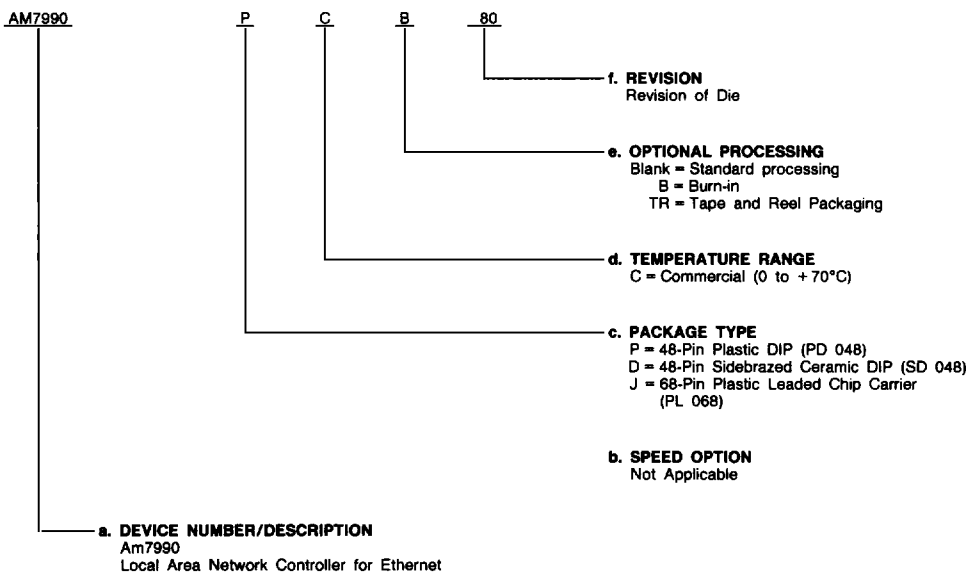


## ORDERING INFORMATION

### Standard Products

AMD standard products are available in several packages and operating ranges. The order number (Valid Combination) is formed by a combination of:

- a. **Device Number**
- b. **Speed Option** (if applicable)
- c. **Package Type**
- d. **Temperature Range**
- e. **Optional Processing**
- f. **Revision**



Valid Combinations	
AM7990	DC, DCB, PC, PCB, JC, JCB, JCTR

#### Valid Combinations

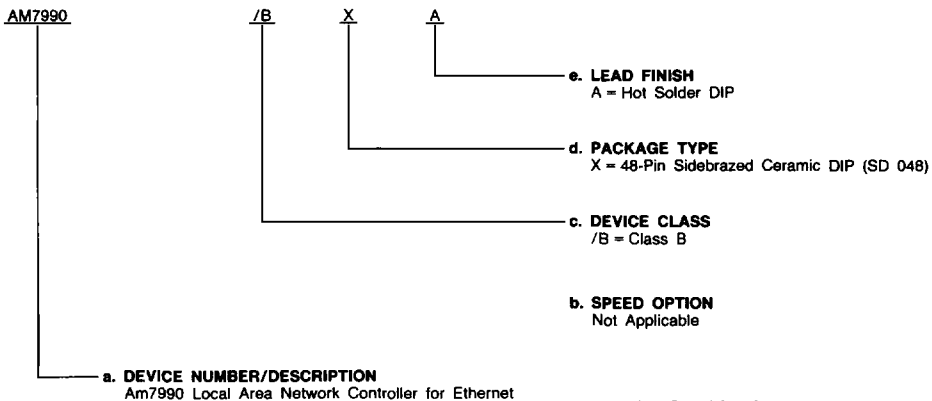
Valid Combinations list configurations planned to be supported in volume for this device. Consult the local AMD sales office to confirm availability of specific valid combinations, to check on newly released combinations, and to obtain additional data on AMD's standard military grade products.

## ORDERING INFORMATION (Cont'd.)

### APL Products

AMD products for Aerospace and Defense applications are available. APL (Approved Products List) products are fully compliant with MIL-STD-883C requirements. The order number (Valid Combination) for APL products is formed by a combination of:

- a. **Device Number**
- b. **Speed Option** (if applicable)
- c. **Device Class**
- d. **Package Type**
- e. **Lead Finish**



#### Valid Combinations

Valid Combinations	
AM7990	/BXA

Valid Combinations list configurations planned to be supported in volume for this device. Consult the local AMD sales office to confirm availability of specific valid combinations or to check for newly released valid combinations.

#### Group A Tests

*Group A tests consist of Subgroups  
1, 2, 3, 7, 8, 9, 10, 11.*