

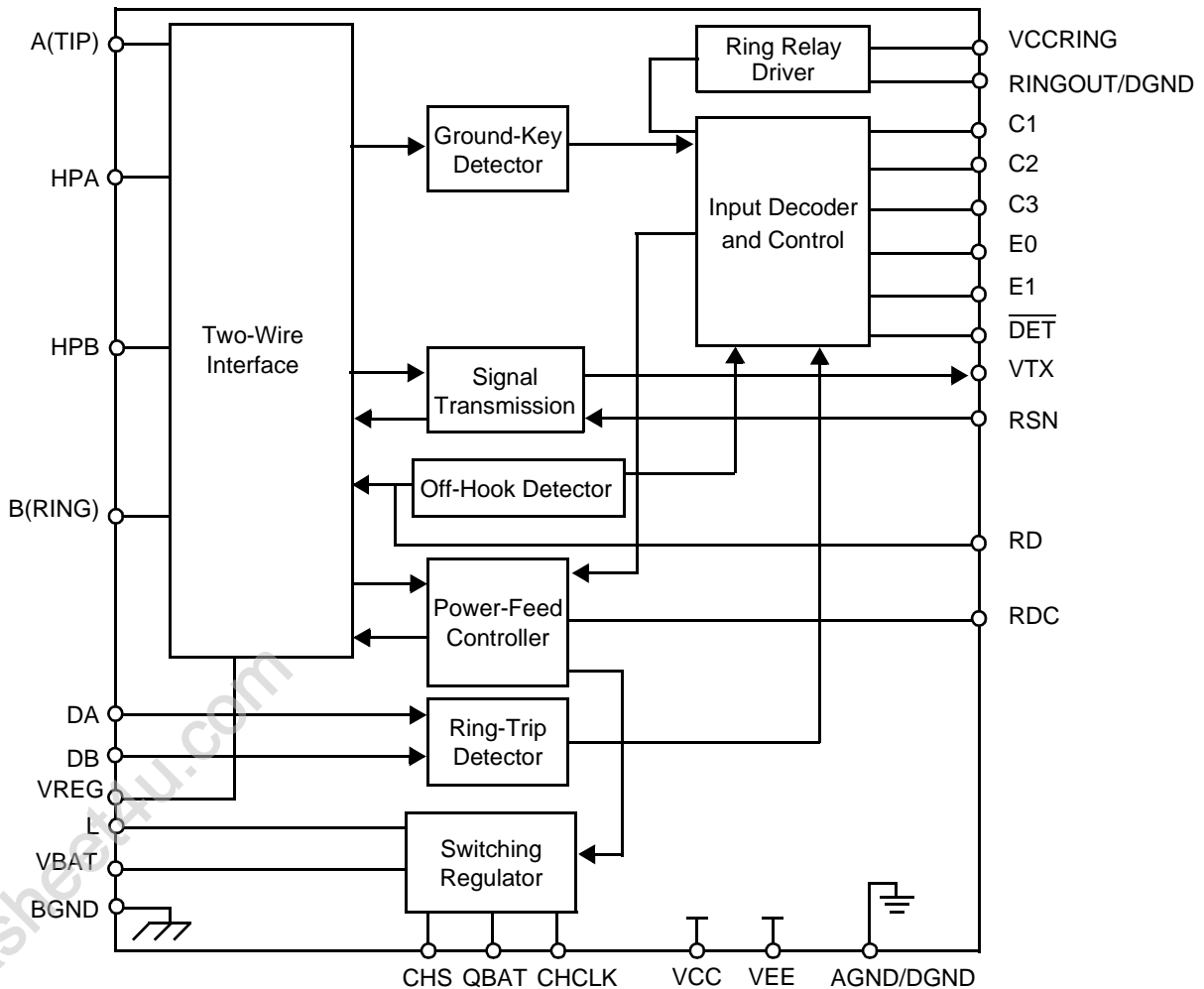
# Am79M576A

## Metering Subscriber Line Interface Circuit

### DISTINCTIVE CHARACTERISTICS

- Programmable constant-resistance feed
- Programmable loop-detect threshold
- Ground-key detect
- Performs polarity reversal
- Ring relay driver
- Supports 2.2 Vrms metering (12 and 16 kHz)
- Line feed characteristics independent of battery variations
- On-chip switching regulator for low-power dissipation
- Two-wire impedance set by single external impedance
- Tip Open state for ground-start lines
- On-hook transmission

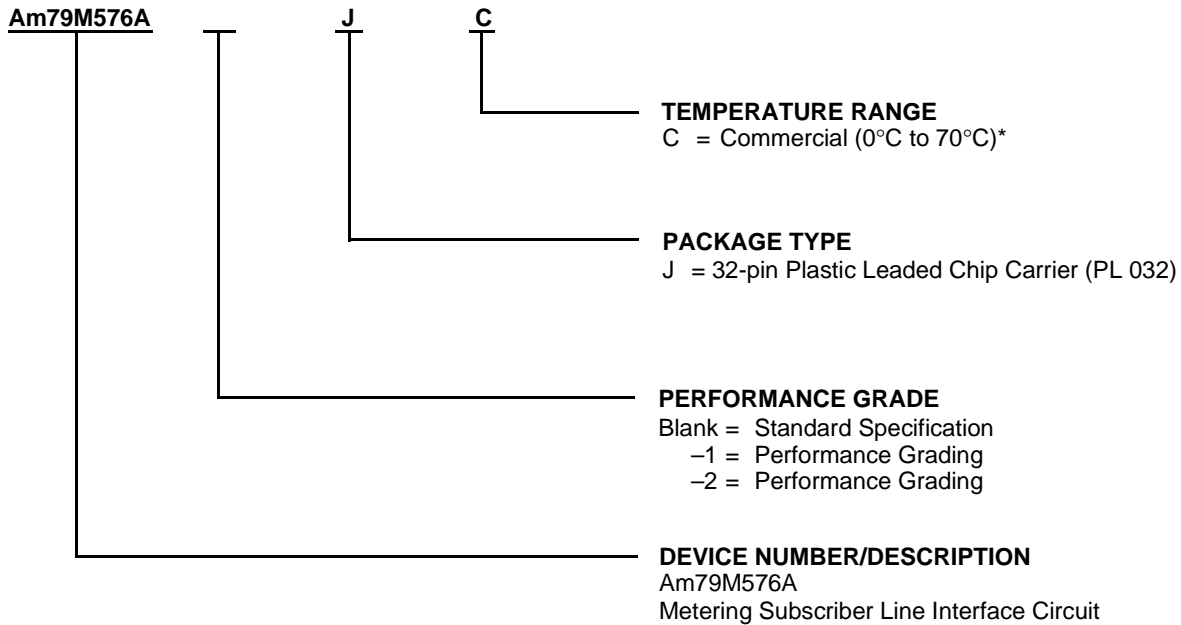
### BLOCK DIAGRAM



**ORDERING INFORMATION**

**Standard Products**

AMD standard products are available in several packages and operating ranges. The order number (Valid Combination) is formed by a combination of the elements below.



Valid Combinations		
Am79M576A	-1	JC
	-2	

**Valid Combinations**

Valid Combinations list configurations planned to be supported in volume for this device. Consult the local AMD sales office to confirm availability of specific valid combinations, to check on newly released combinations, and to obtain additional data on AMD's standard military grade products.

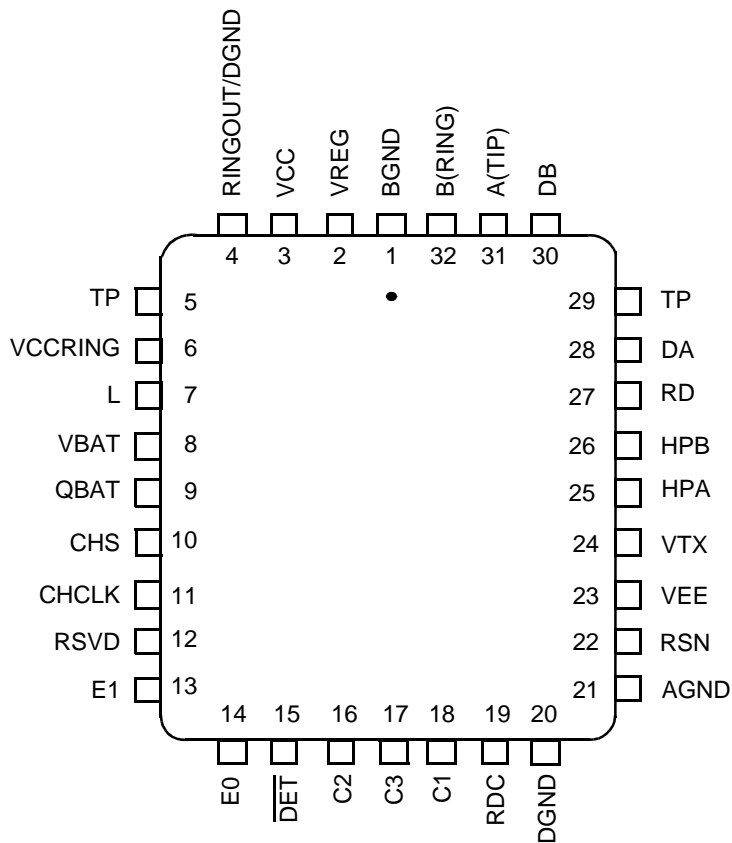
**Note:**

\* Functionality of the device from 0°C to +70°C is guaranteed by production testing. Performance from -40°C to +85°C is guaranteed by characterization and periodic sampling of production units.

# CONNECTION DIAGRAM

## Top View

### 32-Pin PLCC



**Notes:**

1. Pin 1 is marked for orientation.
2. TP is a thermal conduction pin tied to substrate.
3. RSVD = Reserved. Do not connect to this pin.

## PIN DESCRIPTIONS

Pin Names	Type	Description
AGND	Gnd	Analog (quiet) ground
A(TIP)	Output	Output of A(TIP) power amplifier
BGND	Gnd	Battery (power) ground
B(RING)	Output	Output of B(RING) power amplifier
C3–C1	Input	Decoder. TTL compatible. C3 is MSB and C1 is LSB.
CHCLK	Input	Chopper clock. Input to switching regulator (TTL compatible). Freq = 256 kHz (Nominal).
CHS	Input	Chopper Stabilization. Connection for external stabilization components.
DA	Input	Ring-trip negative. Negative input to ring-trip comparator.
DB	Input	Ring-trip positive. Positive input to ring-trip comparator.
$\overline{\text{DET}}$	Output	Detector. When enabled, a logic Low indicates that the selected detector is tripped. Logic inputs C3–C1, E1, and E0 select the detector. Open-collector with a built-in 15 k $\Omega$ pull-up resistor.
DGND	Gnd	Digital ground
E0	Input	A logic High enables DET. A logic Low disables $\overline{\text{DET}}$ .
E1	Input	Ground-key enable. E1 = High connects the ground-key detector to $\overline{\text{DET}}$ , and E1 = Low connects the off-hook or ring-trip detector to $\overline{\text{DET}}$ .
HPA	Capacitor	High-pass filter capacitor. A(TIP) side of high-pass filter capacitor.
HPB	Capacitor	High-pass filter capacitor. B(RING) side of high-pass filter capacitor.
L	Output	Switching Regulator Power Transistor. Connection point for filter inductor and anode of catch diode. Has up to 60 V of pulse waveform and must be isolated from sensitive circuits. Keep the diode connections short because of the high currents and high di/dt.
QBAT	Battery	Quiet Battery. Filtered battery supply for the signal processing circuits.
RD	Resistor	Detector resistor. Threshold modification and filter point for the off-hook detector.
RDC	Resistor	DC feed resistor. Connection point for the DC feed current programming network, which also connects to the Receiver Summing Node (RSN). $V_{\text{RDC}}$ is negative for normal polarity and positive for reverse polarity.
RINGOUT/ DGND	Output	Relay ground for 5 V relays—externally connected to DGND.
RSN	Input	The metallic current (AC and DC) between A(TIP) and B(RING) is equal to 1000 x the current into this pin. The networks that program receive gain, two-wire impedance, and feed current all connect to this node.
TP	Thermal	Thermal pin. Connection for heat dissipation. Internally connected to substrate (QBAT). Leave as open circuit or connected to QBAT. In both cases, the TP pins can connect to an area of copper on the board to enhance heat dissipation.
VBAT	Battery	Battery supply
VCC	Power	+5 V power supply
VCCRING	Input	Ring relay driver (sinks current to RINGOUT).
VEE	Power	–5 V power supply
VREG	Input	Regulated Voltage. Provides negative power supply for power amplifiers, connection point for inductor, filter capacitor, and chopper stabilization.
VTX	Output	Transmit Audio. This output is 0.510 times the A(TIP) and B(RING) metallic voltage. The other end of the two-wire input impedance programming network connects here.

## ABSOLUTE MAXIMUM RATINGS

Storage temperature .....	-55°C to +150°C
Ambient temperature, operating .....	-0°C to +70°C
$V_{CC}$ with respect to AGND .....	-0.4 V to +7.0 V
$V_{EE}$ with respect to AGND .....	+0.4 V to -7.0 V
$V_{BAT}$ with respect to AGND .....	+0.4 V to -70 V

**Note:** Rise time of  $V_{BAT}$  ( $dv/dt$ ) must be limited to 27 V/ $\mu$ s or less when  $Q_{BAT}$  bypass is 0.33  $\mu$ F.

BGND with respect to AGND/DGND.. +1.0 V to -3.0 V  
A(TIP) or B(RING) to BGND:

Continuous .....	-70 V to +2 V
10 ms ( $f = 0.1$ Hz) .....	-70 V to +5 V
1 $\mu$ s ( $f = 0.1$ Hz) .....	-90 V to +10 V
250 ns ( $f = 0.1$ Hz) .....	-120 V to +15 V
Current from A(TIP) or B(RING).....	$\pm 150$ mA
Voltage on VCCRING .....	-0.3 V to +7 V
Current through relay drivers or internal driver catch diodes .....	60 mA
Voltage on ring-trip inputs DA and DB .....	$V_{BAT}$ to 0 V
Current into ring-trip inputs.....	$\pm 10$ mA
Peak current into regulator switch (L pin) .....	150 mA
Switcher transient peak off voltage on L pin .....	+1.0 V
C3-C1, E0, E1, CHCLK to AGND.....	-0.4 V to $V_{CC} + 0.4$ V
Maximum power dissipation (see note) .....	$T_A = 70^\circ\text{C}$
In 32-pin PLCC package.....	1.2 W

**Note:** Thermal limiting circuitry on-chip will shut down the circuit at a junction temperature of about 165°C. The device should never be exposed to this temperature. Operation above 145°C junction temperature may degrade device reliability. See the SLIC Packaging Considerations for more information.

Stresses above those listed under Absolute Maximum Ratings may cause permanent device failure. Functionality at or above these limits is not implied. Exposure to Absolute Maximum Ratings for extended periods may affect device reliability.

## OPERATING RANGES

### Commercial (C) Devices

Ambient temperature .....	0°C to +70°C*
$V_{CC}$ .....	4.75 V to 5.25 V
$V_{EE}$ .....	-4.75 V to -5.25 V
$V_{BAT}$ .....	-46.4 V to -54 V
$V_{CC}$ RING .....	0 V to 5.25 V
AGND/DGND.....	0 V
BGND with respect to AGND.....	-2 V to +2 V
Load resistance on VTX to ground.....	10 k $\Omega$ min

Operating Ranges define those limits between which device functionality is guaranteed.

\* Functionality of the device from 0°C to +70°C is guaranteed by production testing. Performance from -40°C to +85°C is guaranteed by characterization and periodic sampling of production units.

## ELECTRICAL CHARACTERISTICS

Description	Test Conditions (See Note 1)	Min	Typ	Max	Unit	Note
Analog output ( $V_{TX}$ ) impedance			3	20	$\Omega$	
Analog ( $V_{TX}$ ) output offset	0°C to +25°C +25°C to +85°C -40°C to 0°C	-40 -35 -45		+40 +35 +45	mV	4 — 4
Analog (RSN) input impedance Longitudinal impedance at A or B	300 Hz to 3.4 kHz		1	20 35	$\Omega$	4
Overload level 4-wire 2-wire	$Z_{IN} = 600$ to $900 \Omega$	-3.1 -5.5		+3.1 +5.5	Vpk	2
<b>Transmission Performance, 2-Wire Impedance</b>						
2-wire return loss (See Test Circuit D)	300 Hz to 500 Hz 500 Hz to 2.5 kHz 2.5 kHz to 3.4 kHz OHT 300 Hz to 3.4 kHz	26 26 20 14			dB	4
<b>Longitudinal Balance (2-Wire and 4-Wire, See Test Circuit C); <math>R_L = 600 \Omega</math></b>						
Longitudinal to metallic L-T, L-4	300 Hz to 3.4 kHz	48			dB	
Longitudinal sum (L-T) + (T-L)	300 Hz to 3.4 kHz	95				
Longitudinal signal generation 4-L or T-L	300 Hz to 800 Hz 800 Hz to 3.4 kHz	40 35				
Longitudinal current capability per wire	Active state, 50 Hz to 200 Hz OHT state, 50 Hz to 200 Hz	17 8			mA peak	4
Dial pulse make or break response time of $\overline{DET}$				3	ms	
<b>Insertion Loss (See Test Circuits A and B)</b>						
2- to 4-wire	$V_{AB} = 0$ dBm, 1 kHz 0°C to +70°C -40°C to +85°C	5.70 5.65	5.85 5.85	6.00 6.05	dB	— 4
4- to 2-wire	$V_{RX} = 0$ dBm, 1 kHz 0°C to +70°C -40°C to +85°C	-0.15 -0.20		+0.15 +0.20		— 4
4- to 2-wire (In the presence of 2.2 Vrms metering)				1.5		4
<b>Metering Signal Insertion Loss (See Test Circuit B)</b>						
4- to 2-wire	$R_L = 260$ , $V_{AB} = 2.86$ Vrms $R_{TMG} = 139.5$ k $\Omega$ $f = 12$ kHz or 16 kHz	-0.8	-0.2	+0.4	dB	4
<b>Insertion Loss vs. Frequency (See Test Circuits A and B)</b>						
2- to 4-wire or 4- to 2-wire	300 Hz to 3.4 kHz Relative to 1 kHz 0°C to +70°C -40°C to +85°C	-0.1 -0.15		+0.1 +0.15	dB	— 4
<b>Gain Tracking (See Test Circuits A and B)</b>						
2- to 4-wire or 4- to 2-wire	+7 dBm to -55 dBm Reference: 0 dBm 0°C to +70°C -40°C to +85°C	-0.1 -0.15		+0.1 +0.15	dB	— 4
<b>Balance Return Signal (4- to 4-Wire, See Test Circuit B)</b>						
Gain accuracy	0 dBm, 1 kHz 0°C to +70°C -40°C to +85°C	-6.00 -6.05	-5.85 -5.85	-5.70 -5.65	dB	— 4
Variation with frequency relative to 1 kHz	300 Hz to 3.4 kHz 0°C to +70°C -40°C to +85°C	-0.1 -0.15		+0.1 +0.15		3, 4 4
Gain tracking	+3 dBm to -55 dBm Reference: -4 dBm 0°C to +70°C -40°C to +85°C	-0.1 -0.15		+0.1 +0.15		— 4
Group delay	$f = 1$ kHz	3.3	5.3	7.3	$\mu$ s	4

## ELECTRICAL CHARACTERISTICS (continued)

Description	Test Condition (See Note 1)	Min	Typ	Max	Unit	Note
<b>Total Harmonic Distortion (2- to 4-Wire or 4- to 2-Wire) without Metering (See Test Circuits A and B)</b>						
0 dBm +9 dBm	300 Hz to 3.4 kHz		-64 -55	-50 -40	dB	4, 11
Total Harmonic Distortion with metering				-35		
<b>Idle Channel Noise without Metering</b>						
Psophometric weighted noise	2-wire 4-wire			-75 -80	dBmp	7
Psophometric idle channel noise with metering	2-wire 4-wire			-46 -52		4, 7, 12 4, 7, 12
<b>Single Frequency Out-of-Band Noise (See Test Circuit E)</b>						
Metallic	4 kHz to 9 kHz		-76		dBm	4, 5, 9
	9 kHz to 1 MHz		-76			4, 5, 9
	256 kHz and harmonics		-57			4, 5
Longitudinal	1 kHz to 15 kHz		-70		dBm	4, 5, 9
	Above 15 kHz		-85			4, 5, 9
	256 kHz and harmonics		-57			4, 5
<b>Line Characteristics (See Figures 1a, 1b, and 1c) BAT = 48 V, V<sub>BAT</sub> = -47.3 V, R<sub>L</sub> = 600 Ω and 900 Ω</b>						
Apparent battery voltage	Active state	47	50	53	V	
Loop current accuracy	Active state	-7.5		+7.5	%	
Loop current, Tip Open state Open Circuit state	R <sub>L</sub> = 600 Ω R <sub>L</sub> = 0 Ω			1.0	mA	
Loop current limit accuracy	OHT state I <sub>L</sub> = 13.5 mA, R <sub>L</sub> = 0 Ω	-15		+15	%	10
Loop current—Active state	R <sub>L</sub> = 2.25 kΩ	14.33				
Loop current—Active state Battery = -48.0 V	R <sub>L</sub> = 1.96 kΩ R <sub>L</sub> = 0 Ω	17.5 41		50	mA	
Loop current—OHT Battery = -47.0 V	R <sub>L</sub> = 2.25 kΩ R <sub>L</sub> = 0 Ω	9.35		15.5		
Fault current limit, I <sub>L</sub> LIM, A and B shorted to GND in OHT state			56	80		
Fault current limit, I <sub>L</sub> LIM, A and B shorted to GND in Active state				110		
<b>Battery Current in Fault Condition</b>						
OHT state	A and B to GND			40	mA	
Active state	A and B to GND			55		
<b>Power Dissipation</b>						
On hook, Open Circuit state			40	80	mW	
On hook, OHT state			140	200		
On hook, Active state			190	300		
Off hook, OHT state	R <sub>L</sub> = 600 Ω		350	500		
Off hook, Active state (See Figure 2)	R <sub>L</sub> = 600 Ω R <sub>L</sub> = 220 Ω		750 900	900 1100		

## ELECTRICAL CHARACTERISTICS (continued)

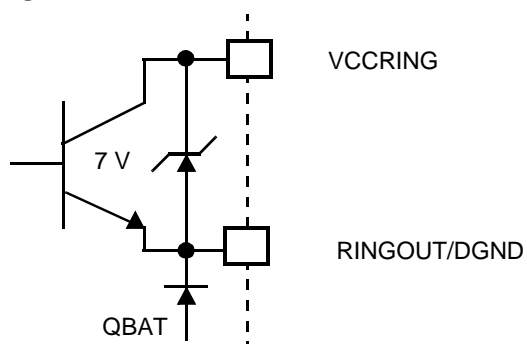
Description	Test Conditions (See Note 1)	Min	Typ	Max	Unit	Note
<b>Supply Currents</b>						
V <sub>CC</sub> , on-hook supply current	Open Circuit state OHT state Active state		2 5 6	4.0 7.0 9.0	mA	
V <sub>EE</sub> , on-hook supply current	Open Circuit state OHT state Active state		1.0 2.3 2.3	2.0 4.0 4.5		
V <sub>BAT</sub> , on-hook supply current	Open Circuit state OHT state Active state		0.4 2.2 3.2	1.0 3.5 5.0		
V <sub>BAT</sub> , off-hook supply current	OHT state R <sub>L</sub> = 0 to 2.2 kΩ			15.5		
<b>Power Supply Rejection Ratio (V<sub>RIPPLE</sub> = 50 mVrms, Saturation Guard Inactive)</b>						
V <sub>CC</sub>	40 Hz to 3.4 kHz 3.4 kHz to 50 kHz	18 18	35 30		dB	6, 7
V <sub>EE</sub>	40 Hz to 3.4 kHz 3.4 kHz to 50 kHz	20 13	30 25			6, 7
V <sub>BAT</sub>	40 Hz to 3.4 kHz 3.4 kHz to 50 kHz	27 20	30 30			6, 7
<b>Off-Hook Detector</b>						
Current threshold	I <sub>DET</sub> = 365/R <sub>D</sub>	-15		+15	%	
<b>Ground-Key Off-Hook Detector Thresholds, Active State</b>						
Resistance threshold	B(RING) to GND	2.0	5	10.0	kΩ	
Current threshold	B(RING) to GND Midpoint to GND		9		mA	8
<b>Ring-Trip Detector Inputs</b>						
Bias current		-5	-0.05		μA	
Offset voltage	Source resistance = 0 to 200 kΩ	-50	0	+50	mV	
<b>Logic Inputs (C3–C1, E0, E1, and CHCLK)◆</b>						
Input High voltage		2.0			V	
Input Low voltage				0.8		
Input High current	All inputs except E1 Input E1	-75 -75		40 45	μA	
Input Low current		-0.4			mA	
<b>Logic Output (DET)</b>						
Output Low voltage	I <sub>OUT</sub> = 0.8 mA			0.4	V	
Output High voltage	I <sub>OUT</sub> = -0.1 mA	2.4				
<b>Relay Driver</b>						
On voltage (V <sub>CCRING</sub> to RINGOUT)	50 mA to V <sub>CCRING</sub> , RINGOUT connected to AGND/DGND			1.25	V	*
Off leakage			0.5	100	μA	
Zener breakover voltage	100 μA	6.0	7.2		V	
Zener On voltage	30 mA		10.0	11.0		

**Note:**

◆ C3–C1, and E0 have an internal pull up. E1 has an internal pull down.



## RELAY DRIVER SCHEMATIC

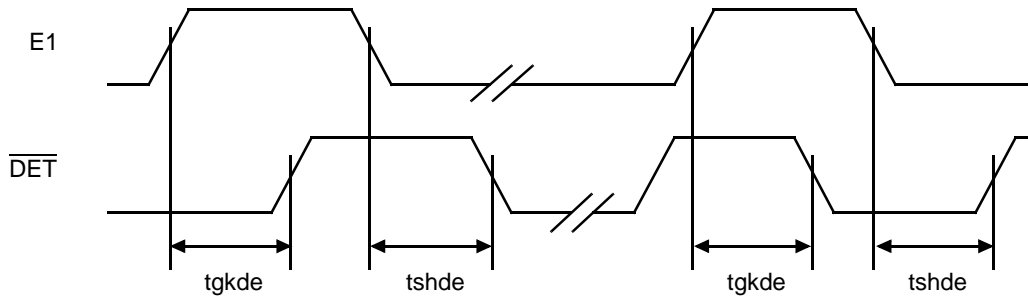


## SWITCHING CHARACTERISTICS

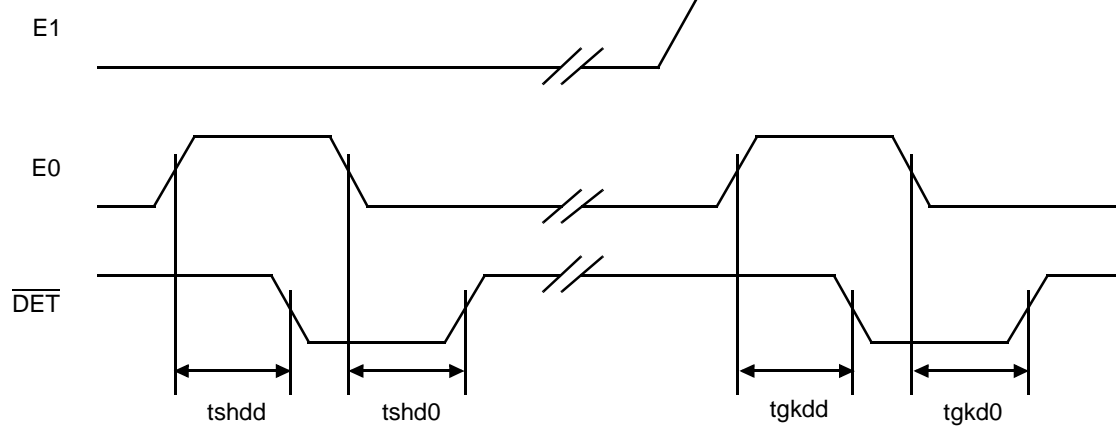
Symbol	Parameter	Test Conditions	Temperature Ranges	Min	Typ	Max	Unit	Note
tgkde	E1 Low to $\overline{\text{DET}}$ High (E0 = 1)	Ground-Key Detect state $R_L$ open, $R_G$ connected (See Figure H)	0°C to +70°C			3.8	$\mu\text{s}$	4
			-40°C to 85°C			4.0		
tgkdd	E1 Low to $\overline{\text{DET}}$ Low (E0 = 1)		0°C to +70°C			1.1		
			-40°C to 85°C			1.6		
tgkd0	E0 Low to $\overline{\text{DET}}$ High (E1 = 0)		0°C to +70°C			3.8		
			-40°C to 85°C			4.0		
tshde	E1 High to $\overline{\text{DET}}$ Low (E0 = 1)	Switchhook Detect state $R_L = 600 \Omega$ , $R_G$ open (See Figure G)	0°C to +70°C			1.2		
			-40°C to 85°C			1.7		
tshdd	E1 High to $\overline{\text{DET}}$ High (E0 = 1)		0°C to +70°C			3.8		
			-40°C to 85°C			4.0		
tshd0	E0 High to $\overline{\text{DET}}$ Low (E1 = 1)		0°C to +70°C			1.1		
			-40°C to 85°C			1.6		
tshd0	E0 Low to $\overline{\text{DET}}$ High (E1 = 1)	0°C to +70°C			3.8			
		-40°C to 85°C			4.0			

## SWITCHING WAVEFORMS

E1 to  $\overline{\text{DET}}$



E0 to  $\overline{\text{DET}}$



**Note:**

All delays measured at 1.4 V level.

**Notes:**

- \* When any power supplies to the MSLIC are removed and the MSLIC is not in the Ringing state, the relay driver must not activate when the relay coil connected to VCCRING is supplied by the same  $V_{CC}$  used for powering the MSLIC.  
If the relay coil connected to VCCRING is supplied by a voltage other than the  $V_{CC}$  used for powering the MSLIC, you must:
  - Provide redundancy of  $V_{CC}$  from the supply voltage of the relay
  - As an alternative, limit the current flowing to all digital inputs to less than 1 mA.
- 1. Unless otherwise noted, test conditions are  $BAT = 48\text{ V}$  (voltage at chip VBAT pin =  $-47.3\text{ V}$ ),  $V_{CC} = +5\text{ V}$ ,  $V_{EE} = -5\text{ V}$ ,  $R_L = 600\ \Omega$ ,  $C_{HP} = 0.22\ \mu\text{F}$ ,  $R_{DC1} = R_{DC2} = 18.7\ \text{k}\Omega$ ,  $C_{DC} = 0.15\ \mu\text{F}$ ,  $R_d = 57.6\ \text{k}\Omega$ , no fuse resistors, two-wire AC output impedance programming impedance ( $Z_T$ ) =  $306\ \text{k}\Omega$  resistive, receive input summing impedance ( $Z_{RX}$ ) =  $300\ \text{k}\Omega$  resistive. (See Table 2 for component formulas.) Operation in polarity reverse is tested in production.
- 2. Overload level is defined when  $THD = 1\%$ .
- 3. Balance return signal is the signal generated at  $V_{TX}$  by  $V_{RX}$ . This specification assumes that the two-wire AC load impedance matches the impedance programmed by  $Z_T$ .
- 4. Not tested in production. This parameter is guaranteed by characterization or correlation to other tests.
- 5. These tests are performed with a longitudinal impedance of  $90\ \Omega$  and metallic impedance of  $300\ \Omega$  for frequencies  $< 12\ \text{kHz}$  and  $135\ \Omega$  for frequencies  $> 12\ \text{kHz}$ . These tests are extremely sensitive to circuit board layout. Refer to application notes for details.
- 6. This parameter is tested at  $1\ \text{kHz}$  in production. Performance at other frequencies is guaranteed by characterization.
- 7. When the SLIC is in the anti-sat 2 operating region, this parameter will be degraded. The exact degradation will depend on system design. The anti-sat 2 region occurs at high loop resistances when  $|V_{BAT}| - |V_{AX} - V_{BX}|$  is less than approximately  $13\text{ V}$ .
- 8. "Midpoint" is defined as the connection point between two  $300\ \Omega$  series resistors connected between A(TIP) and B(RING).
- 9. Fundamental and harmonics from  $256\ \text{kHz}$  switch regulator chopper are not included.
- 10. Calculate loop current limit, which depends upon the programmed apparent open circuit voltage and the feed resistance, is as follows:  
 In OHT state:  $I_{LIMIT} = 0.202$  and  $\frac{50 \cdot V_{APPARENT}}{R_{DC}}$   
 In Active state:  $I_{LIMIT} = 0.68$

11. Total Harmonic distortion with metering is specified with a metering signal of 2.2 Vrms at the two-wire output, and a transmit signal of +3 dBm or receive signal of -4 dBm. The transmit or receive signals are single-frequency inputs, and the distortion is measured as the highest in band harmonic at the two-wire or the four-wire output relative to the input signal.
12. Noise with metering is measured by applying a 2.2 Vrms metering signal (measured at the two-wire output) and measuring the psophometric noise at the two-wire outputs over a 200 ms time interval.

**Table 1. SLIC Decoding**

State	C3 C2 C1	Two-Wire Status	DET Output	
			E0 = 1* E1 = 0	E0 = 1* E1 = 1
0	0 0 0	Open Circuit	Ring trip	Ring trip
1	0 0 1	Ringling	Ring trip	Ring trip
2	0 1 0	Active	Loop detector	Ground key
3	0 1 1	On-hook TX (OHT)	Loop detector	Ground key
4	1 0 0	Tip Open	Loop detector	—
5	1 0 1	Reserved	Loop detector	—
6	1 1 0	Active Polarity Reversal	Loop detector	Ground key
7	1 1 1	OHT Polarity Reversal	Loop detector	Ground key

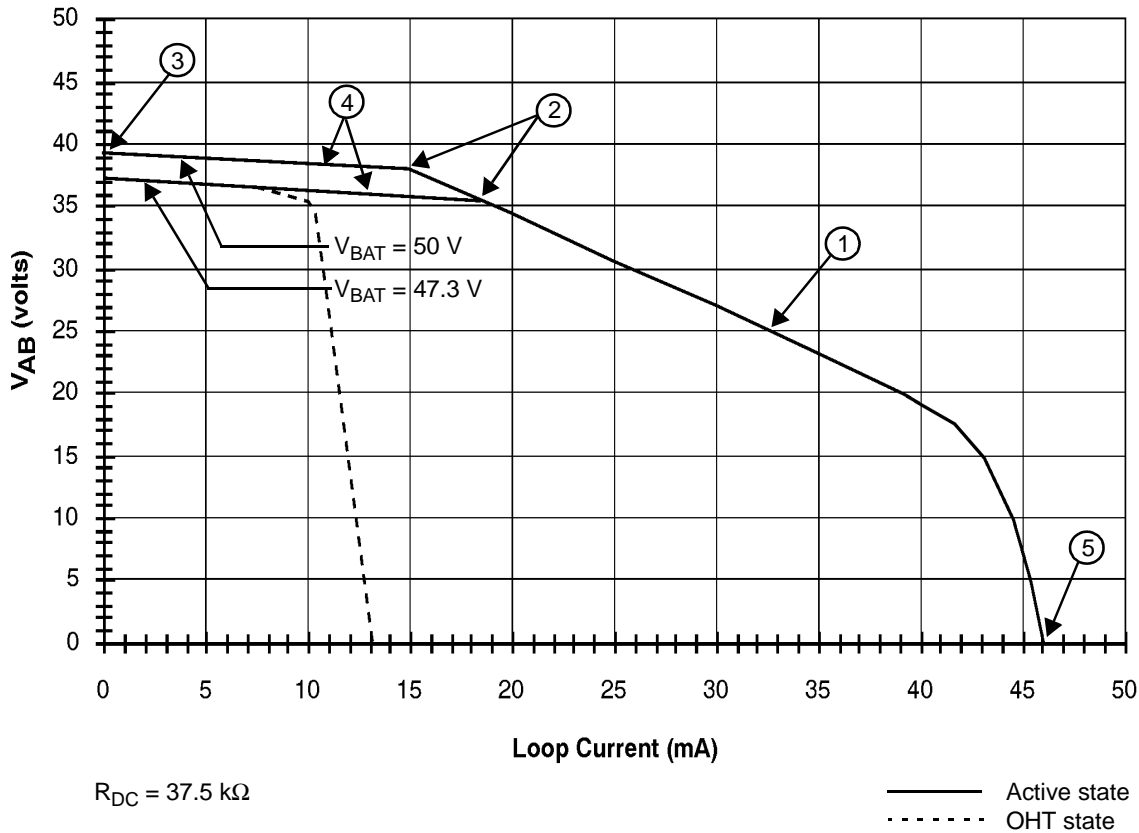
**Note:**

\* A logic Low on E0 disables DET output into the Open Collector state.

**Table 2. User-Programmable Components**

$Z_T = 510(Z_{2WIN} - 2R_F)$	$Z_T$ is connected between the VTX and RSN pins. The fuse resistors are $R_F$ , and $Z_{2WIN}$ is the desired two-wire AC input impedance. When computing $Z_T$ , the internal current amplifier pole and any external stray capacitance between VTX and RSN must be taken into account.
$Z_{RX} = 0.98(Z_T)$	$Z_{RX}$ is connected from $V_{RX}$ to RSN. $Z_T$ is defined above. This equation sets the receive gain to 0 dB when the SLIC terminates with an impedance equal to $Z_{2WIN}$ .
$R_{DC1} + R_{DC2} = 50 \cdot (R_{FEED} - 2R_F)$ $C_{DC} = 1.5 \text{ ms} \cdot \frac{R_{DC1} + R_{DC2}}{R_{DC1} \cdot R_{DC2}}$	$R_{DC1}$ , $R_{DC2}$ , and $C_{DC}$ form the network connected to the RDC pin. $R_{DC1}$ and $R_{DC2}$ are approximately equal.
$R_D = \frac{365}{I_T}, \quad C_D = \frac{0.5 \text{ ms}}{R_D}$	$R_D$ and $C_D$ form the network connected from RD to -5 V and $I_T$ is the threshold current between on-hook and off-hook.
$Z_M = \frac{V_{MG}}{V_{M2W}} \cdot \frac{K_1(\omega)Z_L \cdot Z_T}{Z_T + 0.51 \text{ V} \cdot K_1(\omega) \cdot (2R_F + Z_L)}$	$Z_M$ is connected from $V_{MG}$ (metering source) to the RSN pin, $V_{M2W}$ is the desired magnitude of the metering signal at the 2-wire output (usually 2.2 Vrms) and $K_1(\omega)$ is defined below. $K_1(\omega) = \frac{1000}{1 + j\omega \left( 11.5 \cdot 10^{-9} + \frac{CX}{2} \right) (36 + Z_L + 2R_F)}$ where: CX = The values of the identical capacitors from A and B to GND $\omega = 2\pi \cdot$ metering frequency

DC FEED CHARACTERISTICS

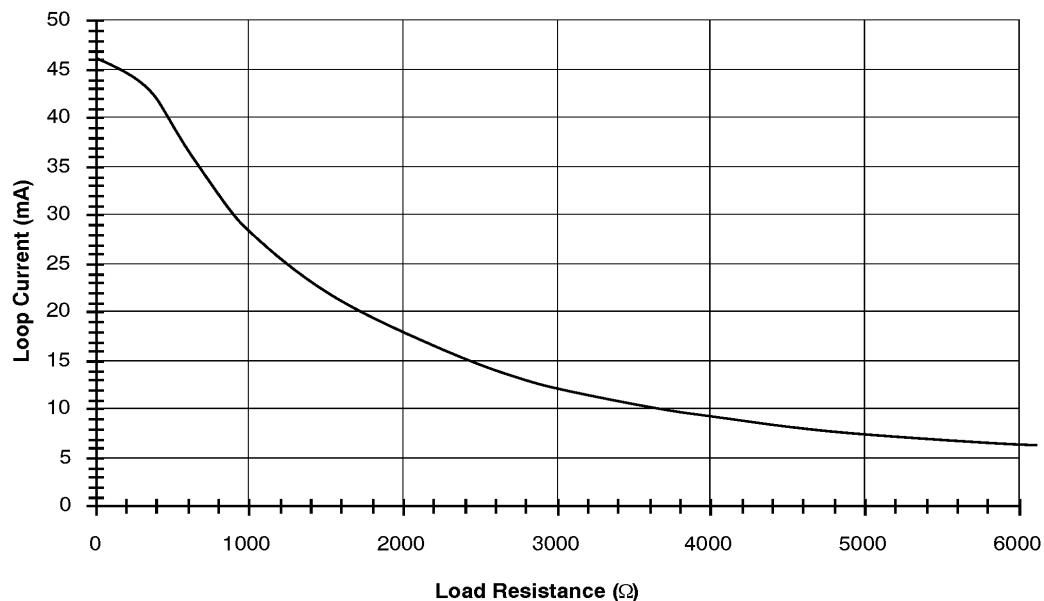


Notes:

1. Constant-resistance read region:  $V_{AB} = 49.6 - I_L \left( \frac{R_{DC}}{49.87} \right)$
2. Anti-sat (battery-tracking) turn-on:  $V_{AB} = 0.8975 |V_{BAT}| - 6.835$
3. Open Circuit voltage:  $V_{AB} = 0.7915 |V_{BAT}| - 0.113, \quad |V_{BAT}| < 62.8 \text{ V}$   
 $V_{AB} = 49.6 \text{ V}, \quad |V_{BAT}| \geq 62.8 \text{ V}$
4. Anti-sat (battery-tracking) region:  $V_{AB} = 0.7915 |V_{BAT}| - 0.113 - I_L \left( \frac{R_{DC}}{815} \right)$
5. Current limit:  $I_L = \frac{1724}{R_{DC}}$

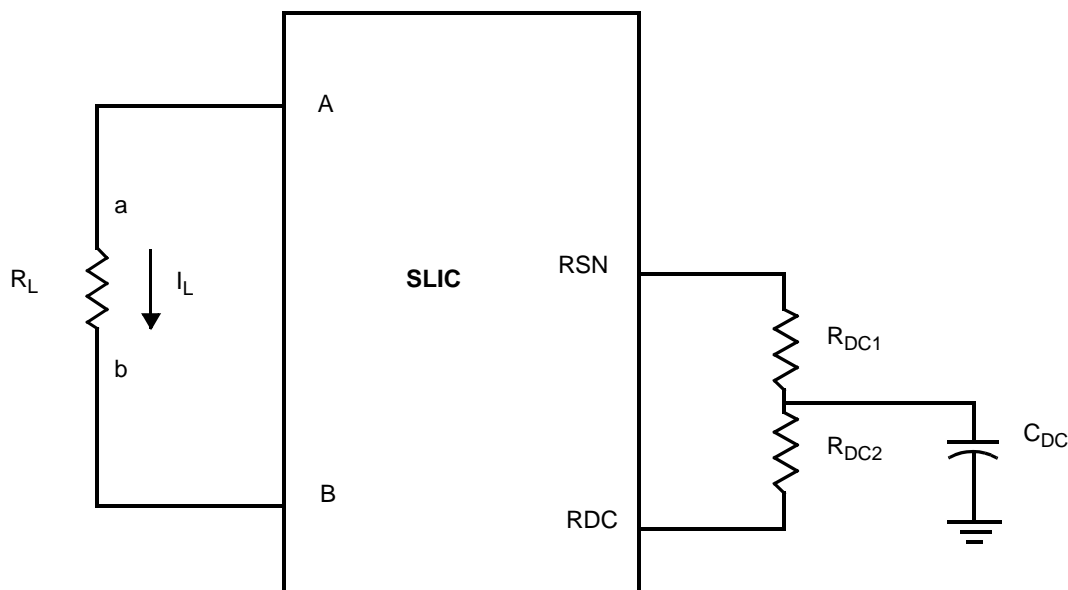
a.  $V_A - V_B$  ( $V_{AB}$ ) Voltage vs. Loop Current (Typical)

DC FEED CHARACTERISTICS (continued)



$V_{BAT} = 47.3\text{ V}$   
 $R_{DC} = 37.5\text{ k}\Omega$

b. Loop Current vs. Load Resistance (Typical)



Feed current programmed by  $R_{DC1}$  and  $R_{DC2}$

c. Feed Programming

Figure 1. DC Feed Characteristics

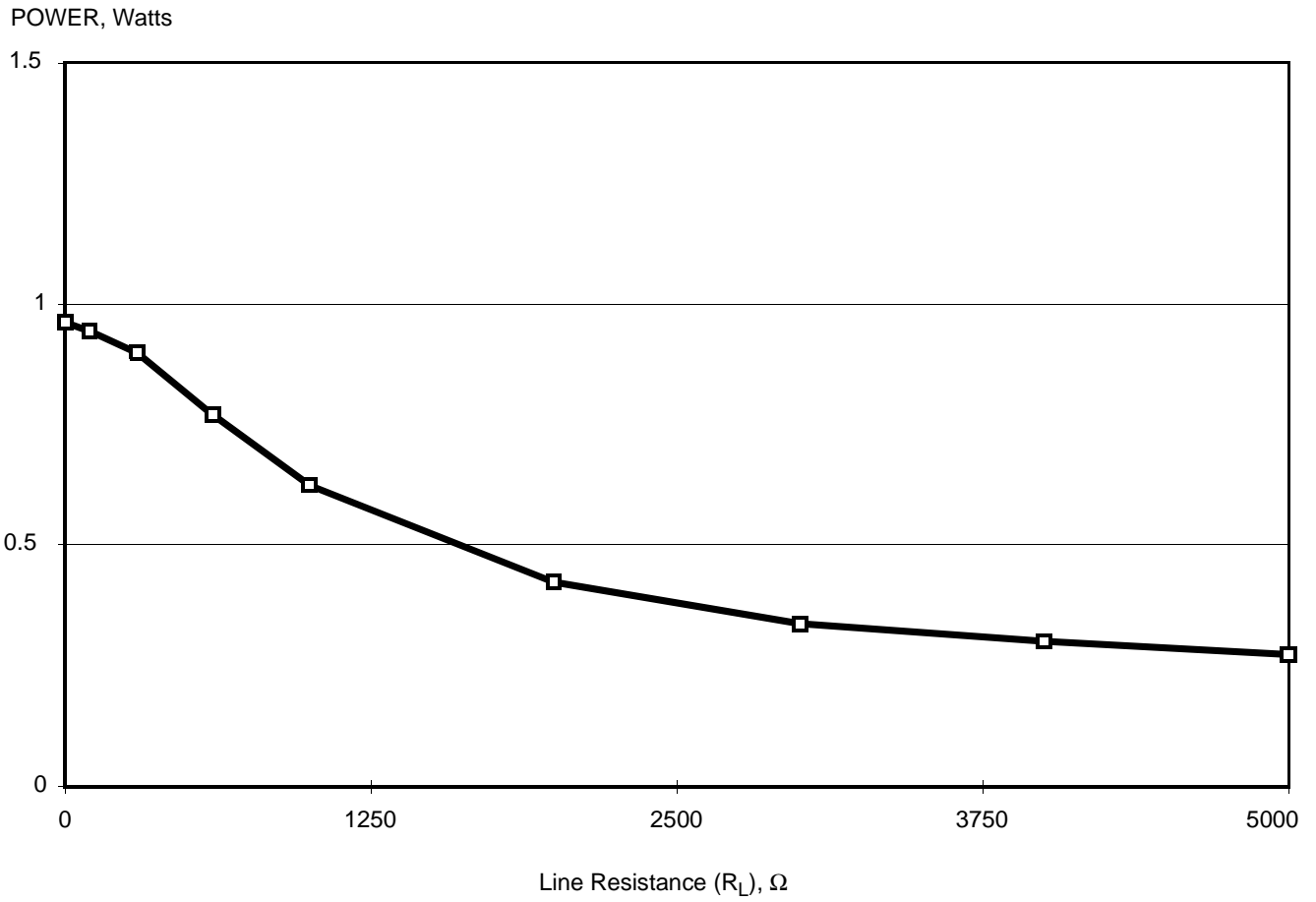
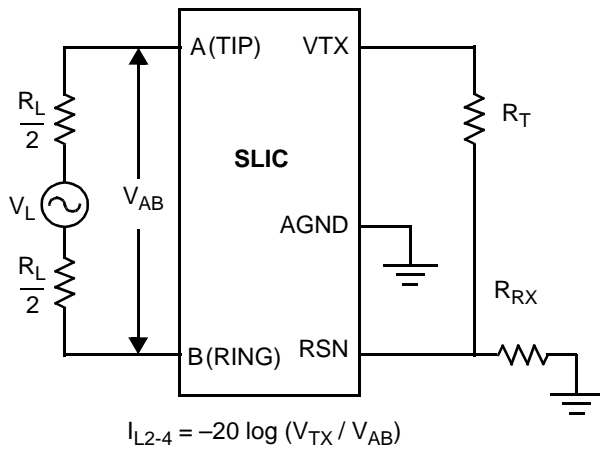
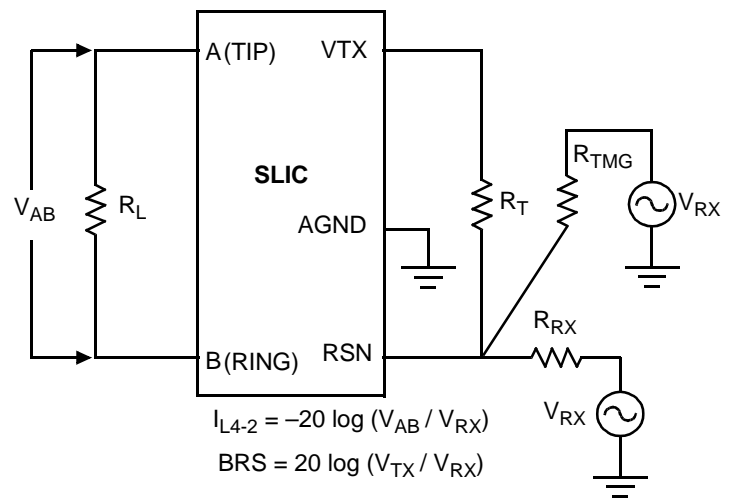


Figure 2. Active State Total Power Dissipation (Typical)

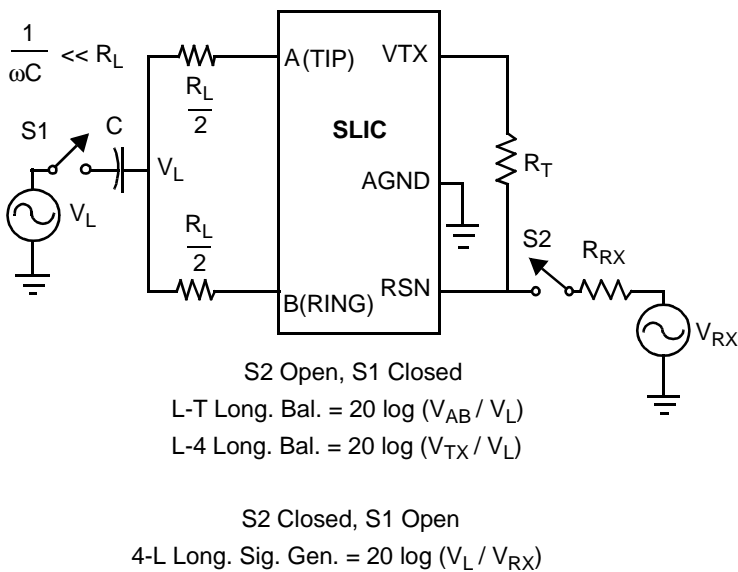
## TEST CIRCUITS



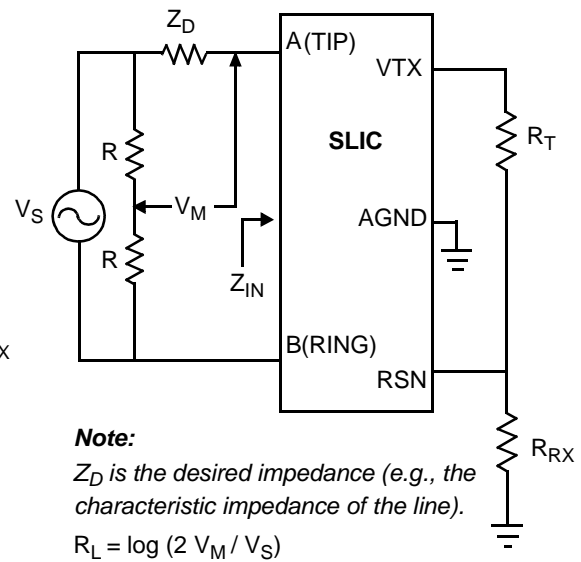
**A. Two- to Four-Wire Insertion Loss**



**B. Four- to Two-Wire Insertion Loss and Balance Return Signal**

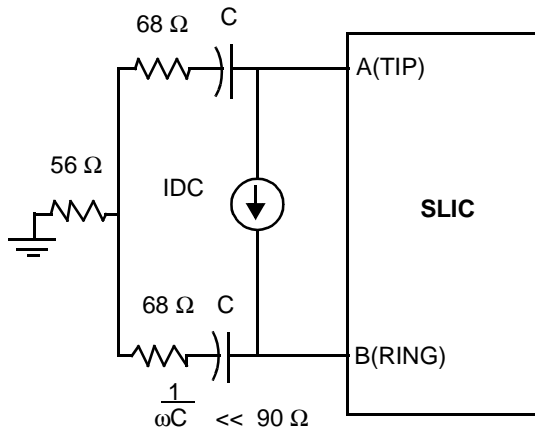


**C. Longitudinal Balance**

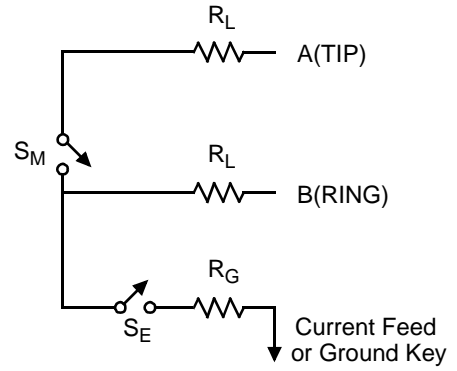


**D. Two-Wire Return Loss Test Circuit**

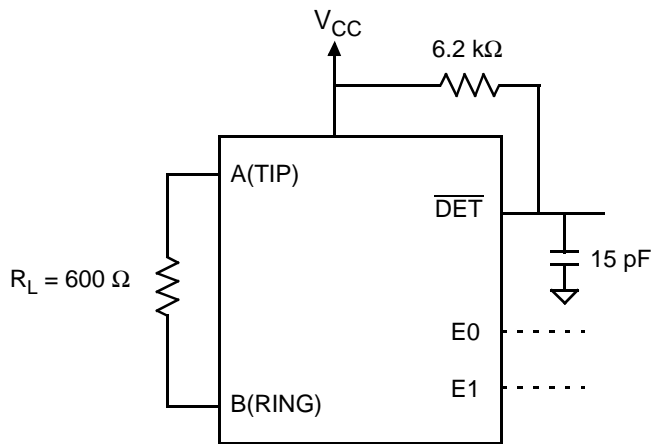
TEST CIRCUITS (continued)



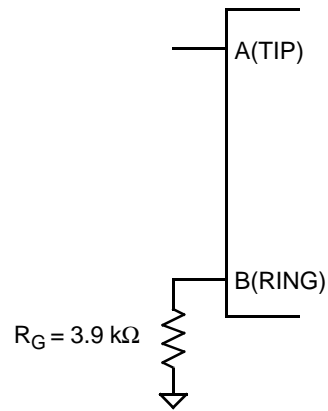
E. Single Frequency Noise



F. Ground-Key Detection



G. Loop-Detector Switching

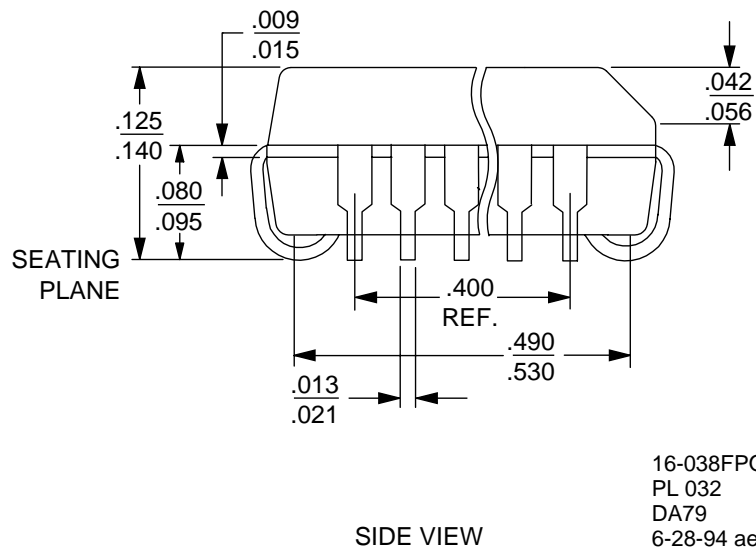
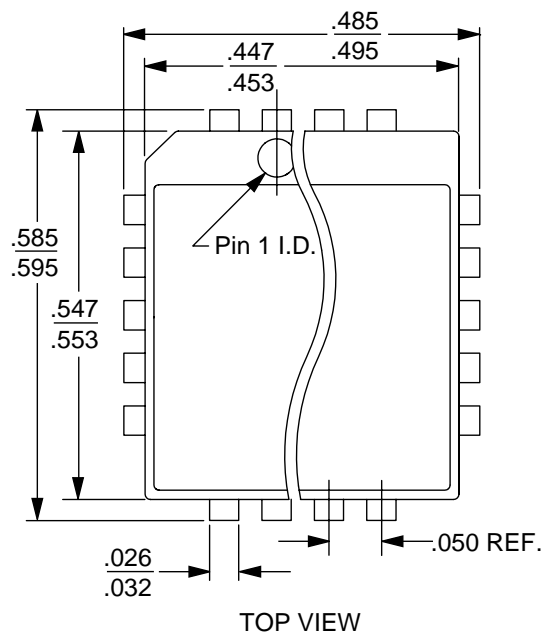


H. Ground-Key Switching



## PHYSICAL DIMENSION

### PL032



16-038FPO-5  
 PL 032  
 DA79  
 6-28-94 ae

## REVISION SUMMARY

### Revision A to Revision B

- Minor changes were made to the data sheet style and format to conform to AMD standards.

### Revision B to Revision C

- In the Pin Description table, inserted/changed TP pin description to: "Thermal pin. Connection for heat dissipation. Internally connected to substrate (QBAT). Leave as open circuit or connected to QBAT. In both cases, the TP pins can connect to an area of copper on the board to enhance heat dissipation."
- Minor changes were made to the data sheet style and format to conform to AMD standards.

### Revision C to Revision D

- The physical dimension (PL032) was added to the Physical Dimension section.
- Deleted the Ceramic DIP and Plastic DIP packages and references to them.
- Updated the Pin Description table to correct inconsistencies.

The contents of this document are provided in connection with Advanced Micro Devices, Inc. ("AMD") products. AMD makes no representations or warranties with respect to the accuracy or completeness of the contents of this publication and reserves the right to make changes to specifications and product descriptions at any time without notice. No license, whether express, implied, arising by estoppel or otherwise, to any intellectual property rights is granted by this publication. Except as set forth in AMD's Standard Terms and Conditions of Sale, AMD assumes no liability whatsoever, and disclaims any express or implied warranty, relating to its products including, but not limited to, the implied warranty of merchantability, fitness for a particular purpose, or infringement of any intellectual property right.

AMD's products are not designed, intended, authorized or warranted for use as components in systems intended for surgical implant into the body, or in other applications intended to support or sustain life, or in any other application in which the failure of AMD's product could create a situation where personal injury, death, or severe property or environmental damage may occur. AMD reserves the right to discontinue or make changes to its products at any time without notice.

**© 1999 Advanced Micro Devices, Inc.**  
All rights reserved.

#### **Trademarks**

AMD, the AMD logo, and combinations thereof are trademarks of Advanced Micro Devices, Inc.

Other product names used in this publication are for identification purposes only and may be trademarks of their respective companies.