



AMC431

PRECISION ADJUSTABLE SHUNT VOLTAGE REFERENCE

DESCRIPTION

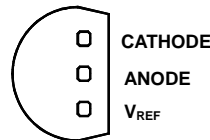
The AMC431 is a three-terminal adjustable shunt voltage regulator with specified thermal stability and pin-to-pin compatible with the earlier 431 series. The output voltage can be adjusted to any value between V_{REF} and 36V by using two external resistors. The AMC431 offers low output impedance for improved load regulation with a typical output impedance of 200mΩ. Because of the active output circuitry, the AMC431 can replace the zener diodes in applications such as switching power supplies, OVP crowbar circuits, references for A/D, D/A converters with improved turn-on characteristics.

- FEATURES**
- Initial voltage reference accuracy of **0.5%, 1.0%, and 1.5%**
 - Sink current capability from 1mA to 100mA
 - Typical output dynamic impedance less than 200mΩ;
 - Adjustable output voltage from V_{REF} to 36V
 - Available in 3L-TO92 and surface mount SOT89, SOT23 and 8 pin S.O.I.C. packages
 - Low output noise
 - Typical equivalent full range temperature coefficient of 30ppm/°C
 - Pin assignment identical to earlier TL431 series.

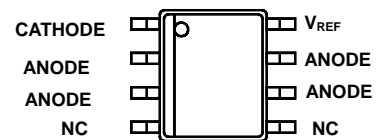
APPLICATIONS

- Voltage Reference
- Precision shunt regulator
- High current shunt regulator
- PWM down converter with reference
- Voltage monitor

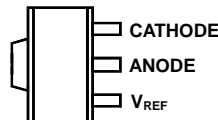
PACKAGE PIN OUT



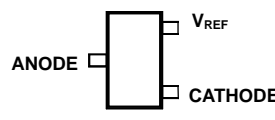
3-Pin Plastic TO-92
(Top View)



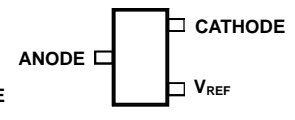
8-Pin Plastic S.O.I.C.
Surface Mount
(Top View)



3-Pin Plastic SOT-89
Surface Mount
(Top View)



(Note 1)
3-Pin Plastic SOT-23
Surface Mount
(Top View)



(Note 2)
3-Pin Plastic SOT-23
Surface Mount
(Top View)

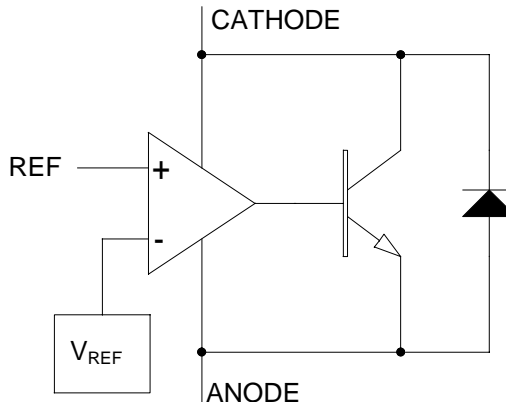
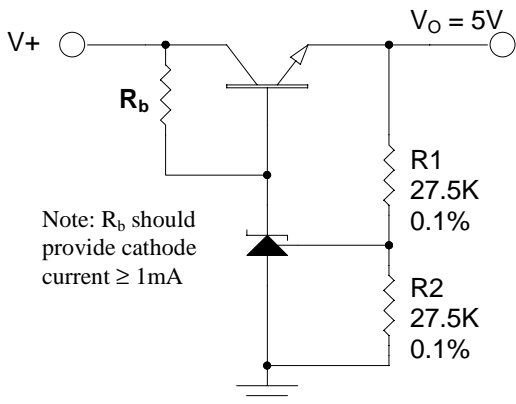
ORDER INFORMATION

T_A (°C)	Initial Tolerance	DM	SOIC	LP	TO-92	PK	SOT-89	DB	SOT-23	DB	SOT-23
		8-pin	8-pin	3-pin	3-pin	3-pin	3-pin	3-pin	3-pin		
0 to 70	1.5%	--		AMC431CLP	--						
	1%	AMC431DM		AMC431LP	AMC431PK	AMC431DB	AMC431RDB				
	0.5%	--		AMC431BLP	AMC431BPK	AMC431BDB	AMC431BRDB				

- Note: 1. For AMC431DB and AMC431BDB.
 2. For AMC431RDB and AMC431BRDB.
 3. For surface-mount and TO-92 packages in Tape & Reel, add suffix "T" (e.g., AMC431LPT, AMC431DBT).
 4. For TO-92 in Tape & Box (without reel), add suffix "TB" (e.g., AMC431LPTB).
 5. DB package is only available in Tape & Reel.

TYPICAL APPLICATION

BLOCK DIAGRAM



5V Precision Regulator

ABSOLUTE MAXIMUM RATINGS (Note 1)	
Cathode to Anode Voltage (V_{KA}) (Note 2)	-0.3V to 37V
Continuous Cathode Current (I_k)	-100mA to 150mA
Reference Input Current (I_{REF})	-50uA to 10mA
Maximum junction temperature range, T_j	150°C
Storage temperature range	-65°C to 150°C
Lead temperature (soldering, 10 seconds)	260°C

Note 1: Exceeding these ratings could cause damage to the device. All voltages are with respect to Ground. Currents are positive into, negative out of the specified terminal.

Note 2: Voltage values are with respect to the anode terminal unless otherwise noted.

POWER DISSIPATION TABLE					
Package	θ_{JA} (°C/W)	Derating factor D_F (mW/°C) $T_A \geq 25^\circ\text{C}$	$T_A \leq 25^\circ\text{C}$ Power rating(mW)	$T_A = 70^\circ\text{C}$ Power rating(mW)	$T_A = 85^\circ\text{C}$ Power rating (mW)
DM	165	6.06	757	485	394
LP	156	6.41	801	513	417
PK	71(note)	14.1	1763	1128	916
DB	285	3.5	438	280	228

Note :

- For PK package, Thermal Resistance-Junction to Tab (θ_{JT}) = 35°C/W. $T_j = T_{TAB} + (P_D \times \theta_{JT})$.
 P_D : Power Dissipation.
- θ_{JA} : Thermal Resistance-Junction to Ambient, $D_F = 1/\theta_{JA}$
Junction Temperature Calculation: $T_j = T_A + (P_D \times \theta_{JA})$.
The θ_{JA} numbers are guidelines for the thermal performance of the device/PC-board system.
All of the above assume no ambient airflow.

AMC431

PRECISION ADJUSTABLE SHUNT VOLTAGE REGULATORS

RECOMMENDED OPERATING CONDITIONS	Min	Max	Units
Operating free air temperature range, T_A	0	70	°C
Cathode current, I_K	1	100	mA
Cathode voltage, V_{KA}	0	36	V

ELECTRICAL CHARACTERISTICS						
Unless otherwise specified, these specifications apply over the operating ambient temperatures with $T_A = 25^\circ\text{C}$.						
Parameter	Symbol	Test Conditions	AMC431			Units
			Min	Typ	Max	
Reference Input Voltage	V_{REF}	$I_K = 10\text{mA}$, $V_{KA} = V_{REF}$, note 1	2.475	2.500	2.525	V
Reference Input Voltage	V_{REF}	$I_K = 10\text{mA}$, $V_{KA} = V_{REF}$, note 2	2.462	2.500	2.538	V
Reference Input Voltage	V_{REF}	$I_K = 10\text{mA}$, $V_{KA} = V_{REF}$, note 3	2.487	2.500	2.513	V
Reference Drift		$I_K = 10\text{mA}$, $V_{KA} = V_{REF}$, $0^\circ\text{C} \leq T_A \leq 70^\circ\text{C}$		4	17	mV
Voltage Ratio, Ref to Cathode (note 4)		$I_K = 10\text{mA}$, $V_{KA} = 2.5\text{V to } 36\text{V}$		-1.4	-2.7	mV/V
Reference Input Current	I_{REF}	$I_K = 10\text{mA}$, $V_{KA} = V_{REF}$			2.3	μA
		$I_K = 10\text{mA}$, $V_{KA} = V_{REF}$, $0^\circ\text{C} \leq T_A \leq 70^\circ\text{C}$		2	4	
Minimum Operating Current	I_{MIN}	$V_{KA} = V_{REF}$		0.4	1	mA
Off-State Cathode Current	I_{OFF}	$V_{KA} = 36\text{V}$, $V_{REF} = 0\text{V}$		0.1	1	μA
Dynamic Impedance	$ Z_{KA} $	$V_{KA} = V_{REF}$, $I_K = 1\text{mA to } 100\text{mA}$, $f \leq 1\text{kHz}$		0.2	0.5	Ω
Note 1: For AMC431 only. The output accuracy is 1.0%. Note 2: For AMC431C only. The output accuracy is 1.5%. Note 3: For AMC431B only. The output accuracy is 0.5%. Note 4: $\frac{\Delta V_{REF}}{\Delta V_{KA}}$ Ratio of change in reference input voltage to the change in cathode voltage						

PARAMETER MEASUREMENT INFORMATION

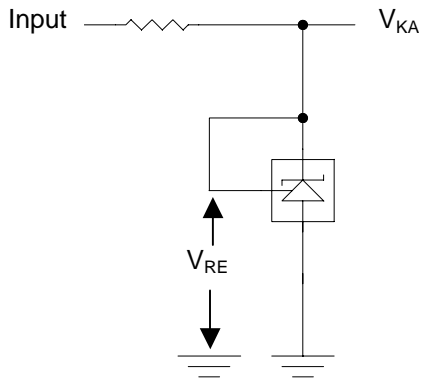


Figure 1. Test Circuit for $V_{KA} = V_{REF}$

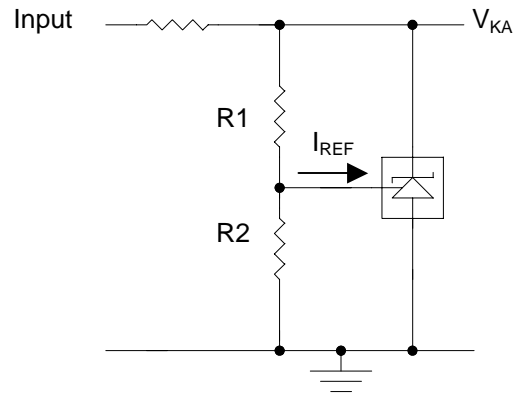


Figure 2. Test Circuit for $V_{KA} > V_{REF}$

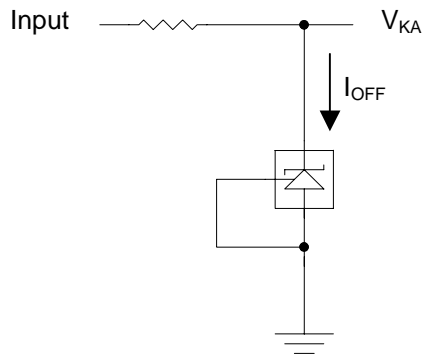
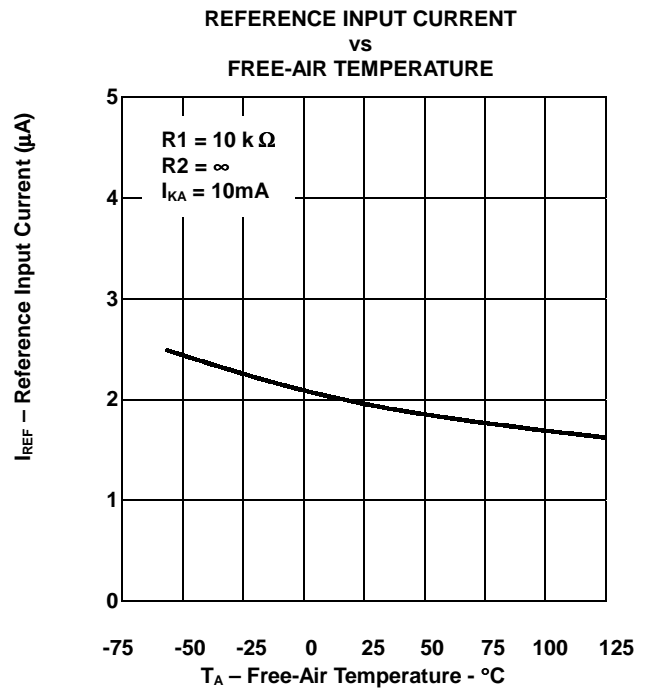
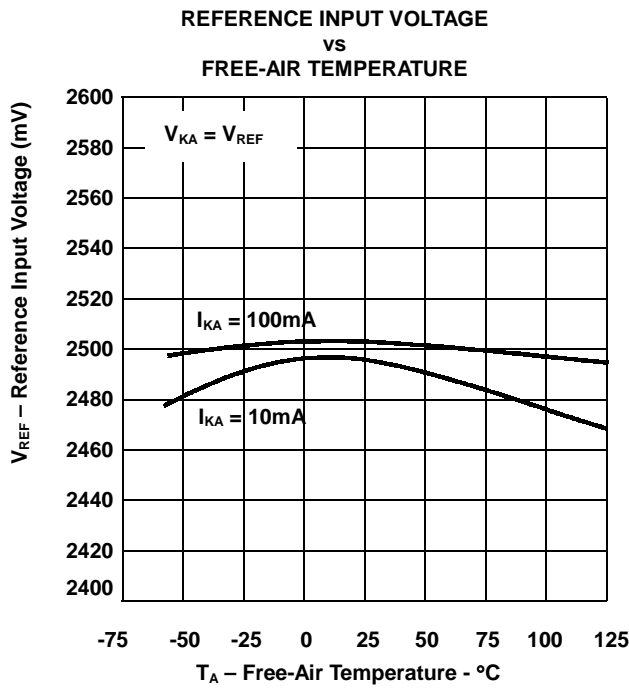
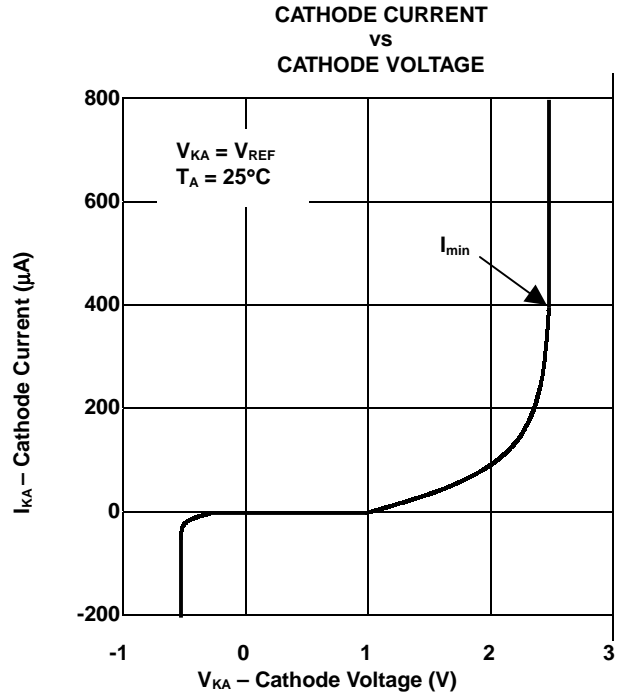
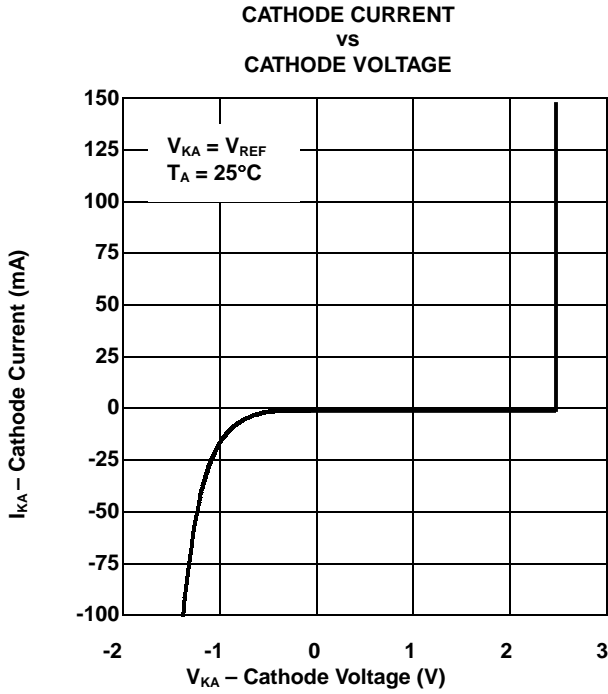
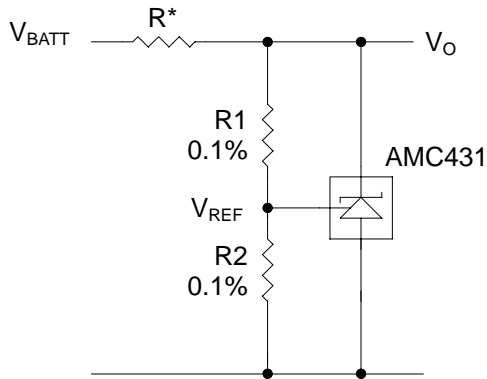


Figure 3. Test Circuit for I_{OFF}

CHARACTERIZATION CURVES



APPLICATION INFORMATION



$$V_O = (1 + R1/R2) \times V_{REF}$$

Note: R should provide 1mA cathode current to the AMC431 of minimum V_{BATT}

Figure 4. Shunt Regulator

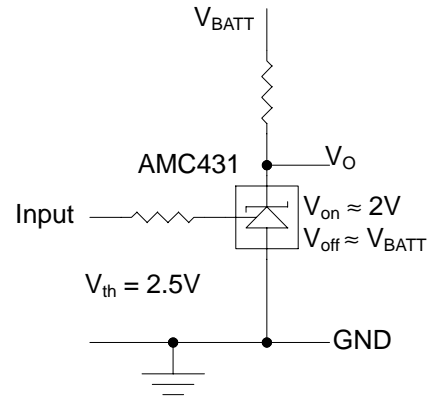
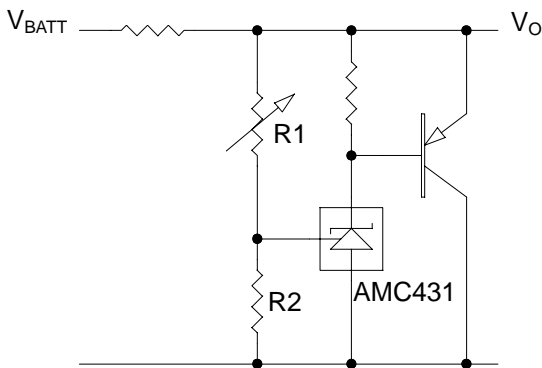


Figure 5. Single-Supply Comparator With Temperature compensated threshold.



$$V_O = (1 + R1/R2) \times V_{REF}$$

Figure 6. High-Current Shunt Regulator

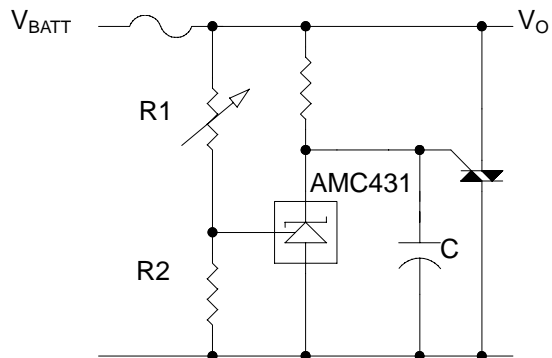


Figure 7. Crowbar Circuit

APPLICATION INFORMATION (continued)

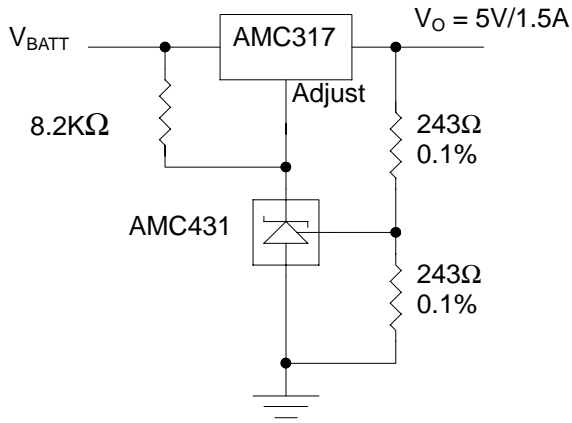


Figure 8. Precision 5V, 1.5A Regulator

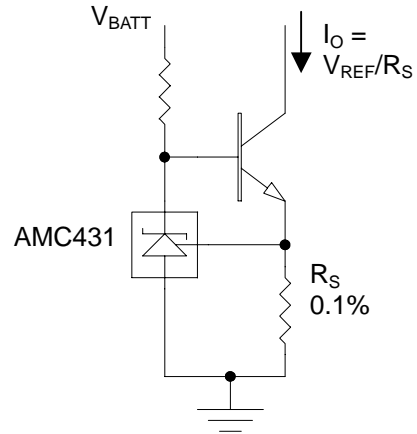
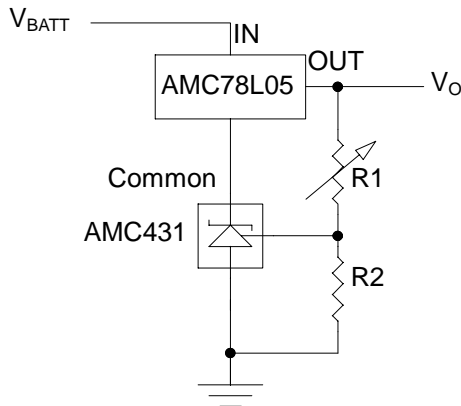


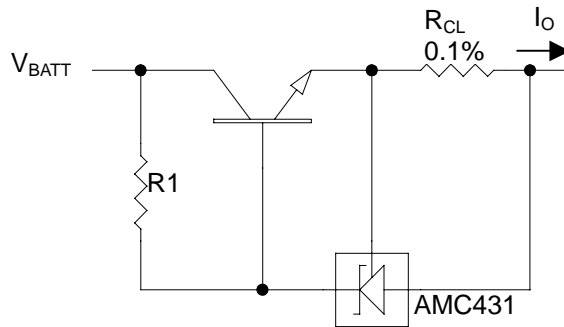
Figure 9. Precision Constant Current Sink



$$V_O = (1 + R1/R2) \times V_{REF}$$

$$\text{Min } V_O = V_{REF} + 5V$$

Figure 10. Output Control of a Three-Terminal Fixed Regulator

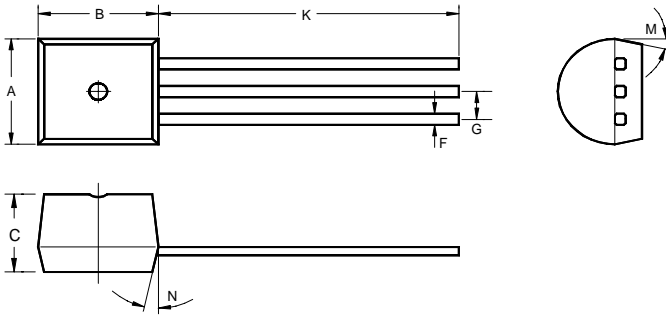


$$I_{OUT} = (V_{REF}/R_{CL}) + I_{KA}$$

$$R1 = V_{BATT}/((I_O/h_{FE}) + I_{KA})$$

Figure 11. Precision Current Limiter

3-Pin Plastic TO-92



Note: For TO-92 in taping, refer to TO-92 package and taping dimension data for lead dimensions.

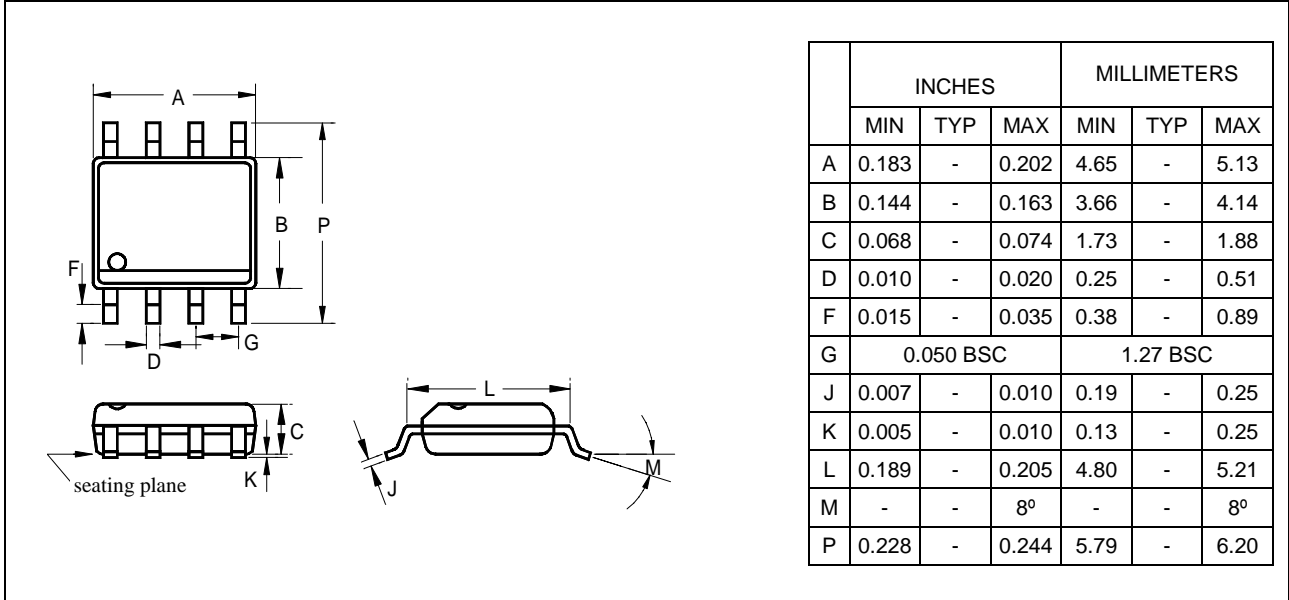
	INCHES			MILLIMETERS		
	MIN	TYP	MAX	MIN	TYP	MAX
A	0.175	0.180	0.205	4.45	4.57	5.21
B	0.170	0.180	0.210	4.32	4.57	5.33
C	0.125	0.142	0.165	3.18	3.62	4.19
F	-	0.015	-	-	0.38	-
G	-	0.050	-	-	1.27	-
J	-	0.150	-	-	3.81	-
K	0.500	0.580	-	12.70	14.73	-
M	-	5°	-	-	5°	-
N	-	5°	-	-	5°	-

3-Pin Plastic TO-92 Package and Taping Dimensions

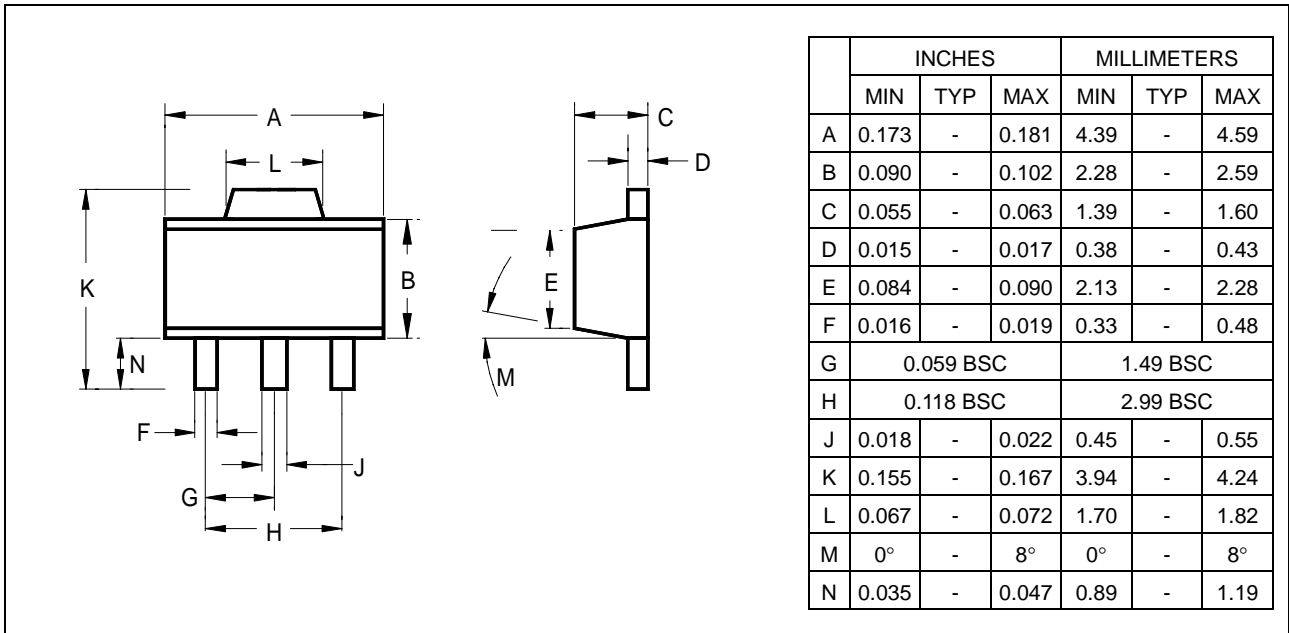
The diagram shows a carrier tape with three 3-pin plastic TO-92 packages. Dimensions are labeled as follows: C (height of package), P (pitch between packages), Po (pitch between leads), Do (lead diameter), P1 (lead pitch), Fo (lead offset), W (tape width), Ho (height of tape), Wo (width of tape), and W1 (width of carrier).

	INCHES			MILLIMETERS		
	MIN	TYP	MAX	MIN	TYP	MAX
C	0.079	-	-	2.00	-	-
P	0.480	0.500	0.520	12.2	12.7	13.2
Po	0.488	0.500	0.512	12.4	12.7	13.0
Do	0.150	0.157	0.165	3.8	4.0	4.2
P1	0.230	0.250	0.256	5.85	6.35	6.85
Fo	0.165	0.197	0.220	4.2	5.0	5.6
W	0.669	0.709	0.748	17.0	18.0	19.0
Ho	0.610	0.630	0.649	15.5	16.0	16.5
Wo	0.224	0.236	0.248	5.7	6.0	6.3
W1	0.335	0.354	0.374	8.5	9.0	9.5

8-Pin Plastic S.O.I.C.

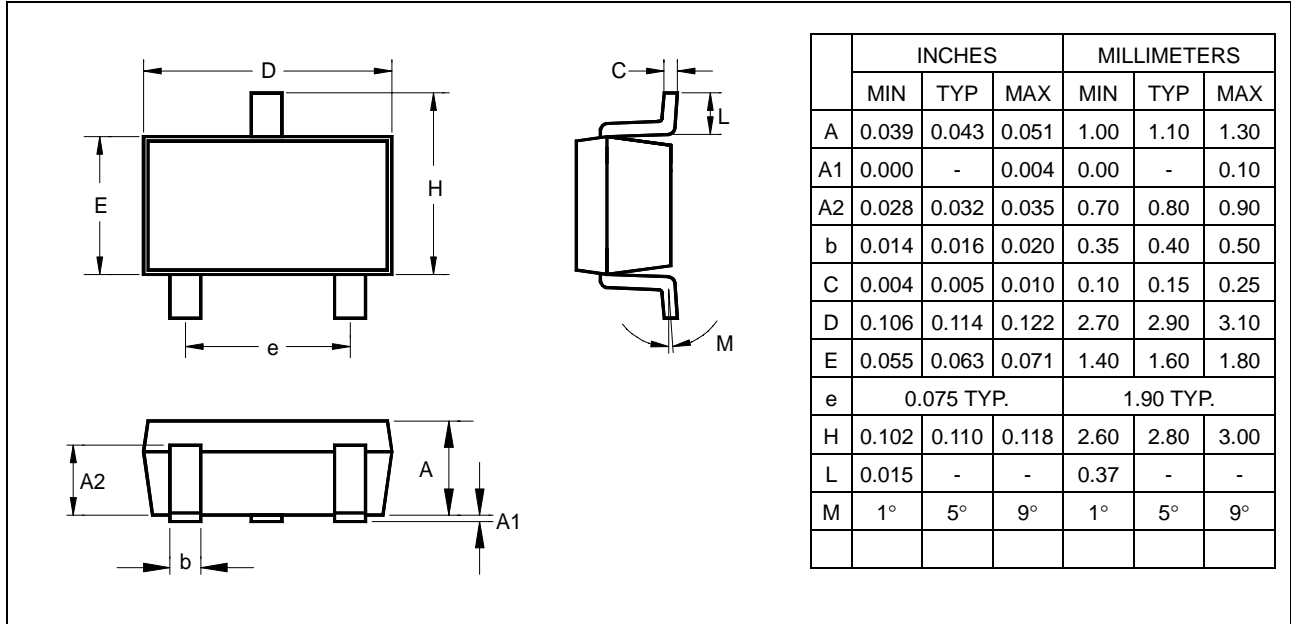


3-Pin Surface Mount SOT-89



AMC431
PRECISION ADJUSTABLE SHUNT
VOLTAGE REGULATORS

Surface Mount SOT-23



IMPORTANT NOTICE

ADD Microtech (ADDM) reserves the right to make changes to its products or to discontinue any integrated circuit product or service without notice, and advises its customers to obtain the latest version of relevant information to verify, before placing orders, that the information being relied on is current.

A few applications using integrated circuit products may involve potential risks of death, personal injury, or severe property or environmental damage. ADDM integrated circuit products are not designed, intended, authorized, or warranted to be suitable for use in life-support applications, devices or systems or other critical applications. Use of ADDM products in such applications is understood to be fully at the risk of the customer. In order to minimize risks associated with the customer's applications, the customer should provide adequate design and operating safeguards.

ADDM assumes no liability to customer product design or application support. ADDM warrants the performance of its products to the specifications applicable at the time of sale.

U.S.

ADD Microtech Inc.
492 Altamont Drive
Milpitas, CA 95035

TEL: (408) 9410420
FAX: (408) 9410864

Asia Pacific region

ADD Microtech Corp
3F, 132, Sec. 4, Chung Hsiao E. Rd.,
Taipei, Taiwan

TEL: 2-27760166
FAX: 2-27764208