



# AME8822

# High PSRR, 250mA CMOS LDO

## General Description

The AME8822 family of positive, linear regulators feature low quiescent current (30µA typ.) low dropout voltage and excellent PSRR, thus making them ideal for telecommunications and other battery applications.

These rugged devices have both thermal shutdown and current limit to prevent device failure under the "Worst" operating conditions.

The AME8822 is stable with an output capacitance of 1µF or larger.

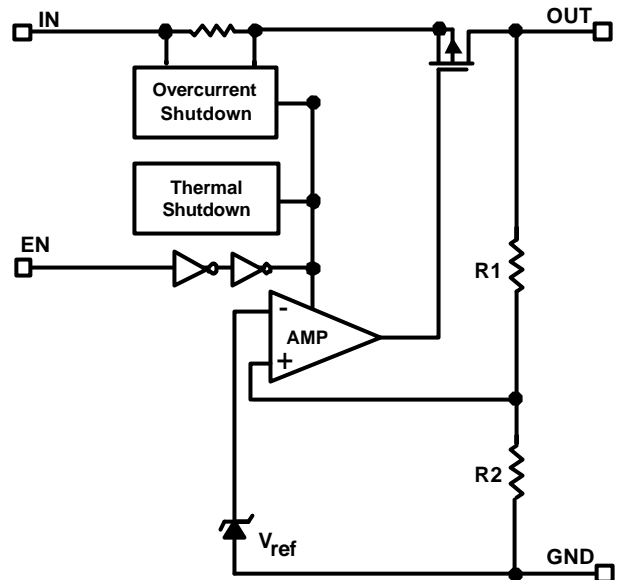
## Features

- Very Low Dropout Voltage
- Fast Turn on Time 100µS(Typ.)
- Guaranteed 250mA Output
- 30µA Quiescent Current
- Over-Temperature Shutdown
- Excellent PSRR (Typ. 65dB)
- Power-Saving Shutdown Mode in SOT-25, SOT-23 & SC-70-5 Packages
- Low Temperature Coefficient
- All AME's Lead Free Products Meet RoHS Standards.

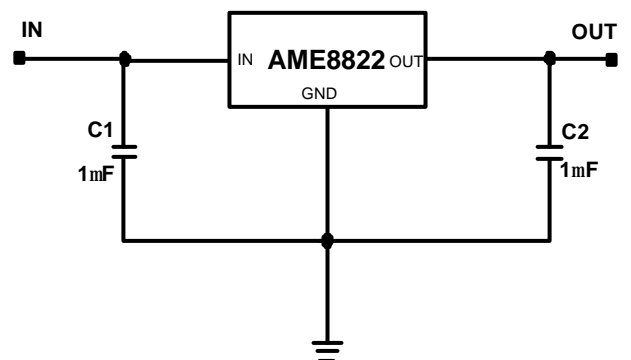
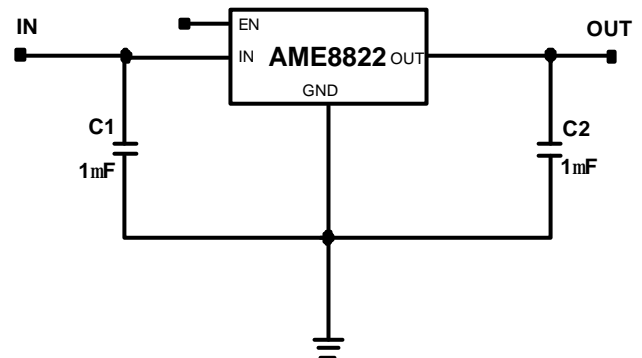
## Applications

- Instrumentation
- Portable Electronics
- Wireless Devices
- PC Peripherals

## Functional Block Diagram



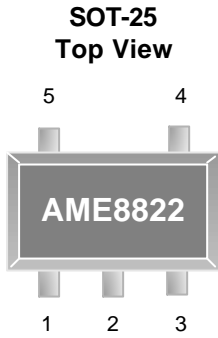
## Typical Application



# AME8822

# High PSRR, 250mA CMOS LDO

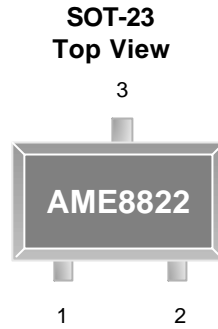
## ■ Pin Configuration



**AME8822AEEV**

1. IN
2. GND
3. EN
4. NC
5. OUT

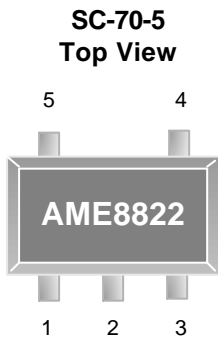
**\* Die Attach:  
Conductive Epoxy**



**AME8822AEET**

1. GND
2. OUT
3. IN

**\* Die Attach:  
Non-Conductive Epoxy**



**AME8822AEIV**

1. IN
2. GND
3. EN
4. NC
5. OUT

**\* Die Attach:  
Conductive Epoxy**

## ■ Pin Description

**AME8822AEET SOT-23**

Pin Number	Pin Name	Pin Description
1	GND	Ground connection pin.
2	OUT	LDO voltage regulator output pin. It should be decoupled with a 1mF or greater value low ESR ceramic capacitor.
3	IN	Input voltage pin. It should be decoupled with 1mF or greater capacitor.



## AME8822

## High PSRR, 250mA CMOS LDO

### ■ Pin Description

AME8822AEEV SOT-25 / AME8822AEIV SC-70-5

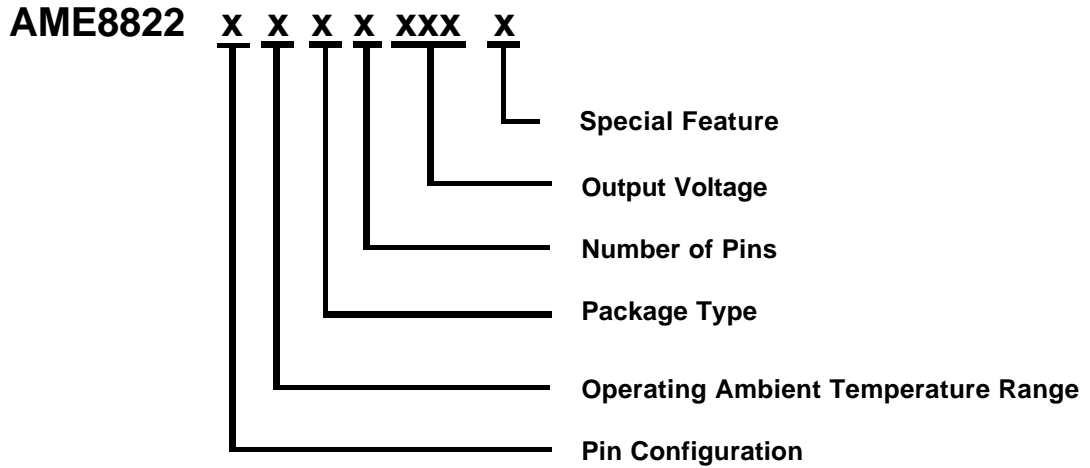
Pin Number	Pin Name	Pin Description
1	IN	Input voltage pin. It should be decoupled with 1mF or greater capacitor.
2	GND	Ground connection pin.
3	EN	Enable pin. When pulled low, the PMOS pass transistor turns off, current consuming less than 1mA.
4	NC	No Connection.
5	OUT	LDO voltage regulator output pin. It should be decoupled with a 1mF or greater value low ESR ceramic capacitor.



# AME8822

# High PSRR, 250mA CMOS LDO

## Ordering Information



Pin Configuration	Operating Ambient Temperature Range	Package Type	Number of Pins	Output Voltage	Special Feature
A: 1. IN (SOT-25) 2. GND 3. EN 4. NC 5. OUT  A: 1. GND (SOT-23) 2. OUT 3. IN  A: 1. IN (SC-70-5) 2. GND 3. EN 4. NC 5. OUT	E: -40°C to 85°C	E: SOT-2X I: SC-70	T: 3 V: 5	120: V=1.2V 130: V=1.3V 150: V=1.5V 180: V=1.8V 250: V=2.5V 260: V=2.6V 270: V=2.7V 280: V=2.8V 290: V=2.9V 285: V=2.85V 300: V=3.0V 310: V=3.1V 330: V=3.3V	Z: Lead free



## AME8822

## High PSRR, 250mA CMOS LDO

### ■ Ordering Information

Part Number	Marking*	Output Voltage	Package	Operating Ambient Temperature Range
AME8822AEEV120Z	BIWww	1.2V	SOT-25	- 40°C to 85°C
AME8822AEEV150Z	BHKww	1.5V	SOT-25	- 40°C to 85°C
AME8822AEEV180Z	BHLww	1.8V	SOT-25	- 40°C to 85°C
AME8822AEEV250Z	BHMww	2.5V	SOT-25	- 40°C to 85°C
AME8822AEEV270Z	BHQww	2.7V	SOT-25	- 40°C to 85°C
AME8822AEEV280Z	BHNww	2.8V	SOT-25	- 40°C to 85°C
AME8822AEEV285Z	BHUww	2.85V	SOT-25	- 40°C to 85°C
AME8822AEEV300Z	BHOww	3.0V	SOT-25	- 40°C to 85°C
AME8822AEEV310Z	BHRww	3.1V	SOT-25	- 40°C to 85°C
AME8822AEEV330Z	BHPww	3.3V	SOT-25	- 40°C to 85°C
AME8822AEET120Z	BJJww	1.2V	SOT-23	- 40°C to 85°C
AME8822AEET150Z	BFZww	1.5V	SOT-23	- 40°C to 85°C
AME8822AEET180Z	BFOww	1.8V	SOT-23	- 40°C to 85°C
AME8822AEET250Z	BGAww	2.5V	SOT-23	- 40°C to 85°C
AME8822AEET280Z	BGBww	2.8V	SOT-23	- 40°C to 85°C
AME8822AEET300Z	BGCww	3.0V	SOT-23	- 40°C to 85°C
AME8822AEET330Z	BGDww	3.3V	SOT-23	- 40°C to 85°C
AME8822AEIV150Z	BJMw	1.5V	SC-70-5	- 40°C to 85°C
AME8822AEIV180Z	BJNw	1.8V	SC-70-5	- 40°C to 85°C
AME8822AEIV280Z	BJKw	2.8V	SC-70-5	- 40°C to 85°C
AME8822AEIV285Z	BJLw	2.85V	SC-70-5	- 40°C to 85°C



## AME8822

## High PSRR, 250mA CMOS LDO

### ■ Ordering Information

Part Number	Marking*	Output Voltage	Package	Operating Ambient Temperature Range
AME8822AEEV130Z	BLDww	1.3V	SOT-25	- 40°C to 85°C
AME8822AEEV260Z	BTUww	2.6V	SOT-25	- 40°C to 85°C
AME8822AEEV290Z	BTVww	2.9V	SOT-25	- 40°C to 85°C

Note: ww represents the date code and pls refer to Date Code Rule page on Package Dimension.

\* A line on top of the first letter represents lead free plating such as BIWww.

Please consult AME sales office or authorized Rep./Distributor for the availability of package type.



**AME8822**

**High PSRR, 250mA CMOS LDO**

**■ Absolute Maximum Ratings**

Parameter	Maximum	Unit
Input Voltage	-0.3 to 7	V
EN Voltage	-0.3 to 7	V
Output Voltage	- 0.3 to $V_{IN} + 0.3$	V
Output Current	$P_D / (V_{IN} - V_{OUT})$	mA
ESD Classification	B*	

Caution: Stress above the listed absolute maximum rating may cause permanent damage to the device

HBM B\*: 2000V ~ 3999V

**■ Recommended Operating Conditions**

Parameter	Symbol	Rating	Unit
Ambient Temperature Range	$T_A$	- 40 to 85	°C
Junction Temperature Range	$T_J$	- 40 to 125	°C
Storage Temperature Range	$T_{STG}$	- 65 to 150	°C

**■ Thermal Information**

Parameter	Package	Die Attach	Symbol	Maximum	Unit
Thermal Resistance (Junction to Ambient)	SOT-23	Non-Conductive Epoxy	$\theta_{JA}$	280	°C / W
	SOT-25	Conductive Epoxy		260	
	SC-70-5			331	
Thermal Resistance (Junction to Case)	SOT-23*	Non-Conductive Epoxy	$\theta_{JC}$	140	
	SOT-25*	Conductive Epoxy		81	
Internal Power Dissipation	SOT-23	Non-Conductive Epoxy	$P_D$	400	
	SOT-25	Conductive Epoxy		400	
	SC-70-5			300	
Maximum Junction Temperature				150	°C
Solder Iron (10 Sec)**				350	°C

\* Measure  $\theta_{JC}$  on backside center of molding compound if IC has no tab.

\*\* MIL-STD-202G 210F

## AME8822

## High PSRR, 250mA CMOS LDO

### ■ Electrical Specifications (Contd.)

$V_{OUT(nom)} > 2.0V$ ,  $V_{IN}=V_{OUT(nom)}+0.5V$ ;  $V_{OUT} \leq 2V$ ,  $V_{IN}=2.5V$ ,  $V_{EN}=V_{IN}$ ,  $T_J = -40$  to  $125^\circ C$ ,  $C_{IN}=C_{OUT}=1\mu F$ , unless otherwise noted.

Parameter	Symbol	Test Condition		Min	Typ	Max	Units
Input Voltage	$V_{IN}$			Note1		5.5	V
Output Voltage Accuracy	$V_{OUT(nom)}$	$I_{OUT}=1mA$	$T_A=25^\circ C$	-1.5		1.5	%
		$I_{OUT}=1mA$	$T_J=-40$ to $125^\circ C$	-3		3	
Dropout Voltage (See Note 1)	$V_{DROPOUT}$	$I_{OUT}=250mA$ $V_{OUT}=V_{OUT(nom)}-2\%V_{OUT(nom)}$	$V_{OUT}>2.0V$		300	500	mV
		$I_{OUT}=250mA$	$V_{OUT}\leq 2.0V$ , $V_{DROPOUT}=2.5V-V_{OUT}$				
Current Limit	$I_{LIM}$	$V_{OUT}=0.8 \times V_{OUT(nom)}$	$T_A=25^\circ C$		350	500	mA
Short Circuit Limit	$I_{SC}$	$V_{OUT}=0V$	$T_A=25^\circ C$		200		
Quiescent Current	$I_Q$	$V_{IN}=5V$ , $1mA < I_{OUT} < 250mA$	$T_A=25^\circ C$		30	45	$\mu A$
Line Regulation (See Note 2)	$REG_{LINE}$	$I_{OUT}=1mA$ , $V_{OUT}>2.0V$ $V_{IN}=V_{OUT}+0.5V$ to $V_{IN}=5.5V$	$T_A=25^\circ C$	-0.25	0.1	0.25	%V
			$T_J=-40$ to $125^\circ C$	-0.4		0.4	
		$I_{OUT}=1mA$ , $V_{OUT}\leq 2.0V$ $V_{IN}=2.5V$ to $V_{IN}=5.5V$	$T_A=25^\circ C$	-0.4	0.2	0.4	
			$T_J=-40$ to $125^\circ C$	-0.6		0.6	
Load Regulation (See Note 3)	$REG_{LOAD}$	$I_{OUT} = 1$ to $250mA$	$V_{OUT}>2.0V$ $V_{IN}=V_{OUT}+0.5V$	-0.02	0.0025	0.02	%mA
			$V_{OUT}\leq 2.0V$ $V_{IN}=2.5V$	-0.04	0.004	0.04	
Over Temperature Shutdown	OTS	$I_{OUT}=0mA$			160		$^\circ C$
Over Temperature Hysteresis	OTH	$I_{OUT}=0mA$			40		$^\circ C$
$V_{OUT}$ Temperature Coefficient	TC				30		ppm/ $^\circ C$
Power Supply Ripple Rejection	PSRR	$V_{OUT}=3.3V$ , $I_{OUT}=100mA$ , $C_{OUT}=10\mu F$ , $V_{IN}=V_{OUT}+1V$ , $f=1kHz$			65		dB

Note1: If  $V_{OUT(nom)} > 2.0V$ ,  $V_{IN(min)}=V_{OUT(nom)}+V_{DROPOUT}$ . If  $V_{OUT(nom)} \leq 2.0V$ ,  $V_{IN(min)} = 2.5V$ .

$$\text{Note2: Line Regulation} = \frac{\frac{\Delta V_{out}}{\Delta V_{in}} \times 100\%}{V_{out}}$$

$$\text{Note3: Load Regulation} = \frac{\frac{\Delta V_{out}}{V_{out}} \times 100\%}{\Delta I(mA)}$$





## AME8822

## High PSRR, 250mA CMOS LDO

### ■ Electrical Specifications

Parameter	Symbol	Test Condition	Min	Typ	Max	Units
Output Voltage Noise	$e_N$	$f=10\text{Hz to }100\text{kHz}, I_{OUT}=10\text{mA}$		40		$\mu\text{Vrms}$
Enable Input Threshold*	$V_{ENH}$	$V_{OUT} \geq V_{OUT(\text{min})}$	1.4		$V_{IN}$	V
	$V_{ENL}$	$V_{OUT} \leq 0.2\text{V}$	0		0.3	V
Enable Input Bias Current*	$I_{EN}$	$V_{IN}=5\text{V}, EN=0\text{V or }5\text{V}$		0.01	1	$\mu\text{A}$
Shutdown Supply Current*	$I_{SD}$	$V_{IN}=5\text{V}, V_{EN}=0\text{V}$		0.5	1	$\mu\text{A}$
Shutdown Output Voltage*	$V_{O,SD}$	$I_{OUT}=1\text{mA}$			0.2	V

\* These parameters are applicable to part numbers with enable function.



## AME8822

## High PSRR, 250mA CMOS LDO

### ■ Detailed Description

The AME8822 family of CMOS regulators contain a PMOS pass transistor, voltage reference, error amplifier, over-current protection, and thermal shutdown.

The P-channel pass transistor receives data from the error amplifier, over-current shutdown, and thermal protection circuits. During normal operation, the error amplifier compares the output voltage to a precision reference. Over-current and thermal shutdown circuits become active when the junction temperature exceeds 150°C, or the current exceeds 250mA. During thermal shutdown, the output voltage remains low. Normal operation is restored when the junction temperature drops below 130°C.

The AME8822 switches from voltage mode to current mode when the load exceeds the rated output current. This prevents over-stress.

### ■ External Capacitors

The AME8822 is stable with an output capacitor to ground of 1 $\mu$ F or larger. Ceramic capacitors have the lowest ESR, and will offer the best AC performance. Conversely, Aluminum Electrolytic capacitors exhibit the highest ESR, resulting in the poorest AC response.

A second capacitor is recommended between the input and ground to stabilize  $V_{IN}$ . The input capacitor should be at least 1 $\mu$ F to have a beneficial effect.

### ■ Enable

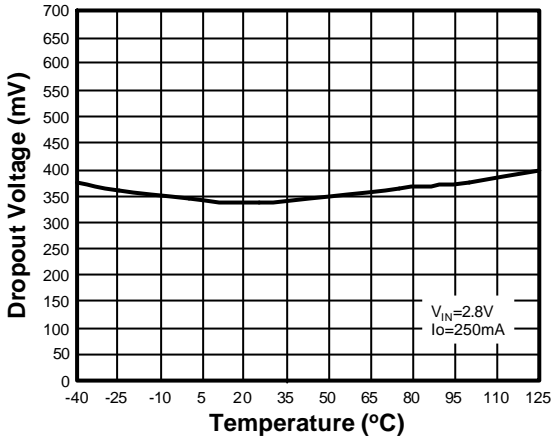
The Enable Pin is normally pull-high. When activated pulled low, the PMOS pass transistor shuts off, and all internal circuits are powered down. In this state, the stand by current is less than 1 $\mu$ A. This pin can't be floating.



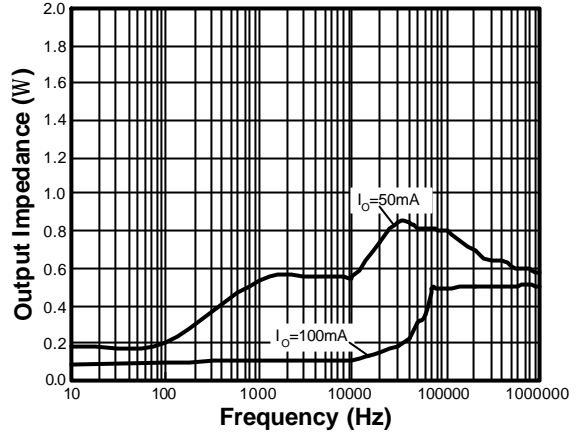
# AME8822

# High PSRR, 250mA CMOS LDO

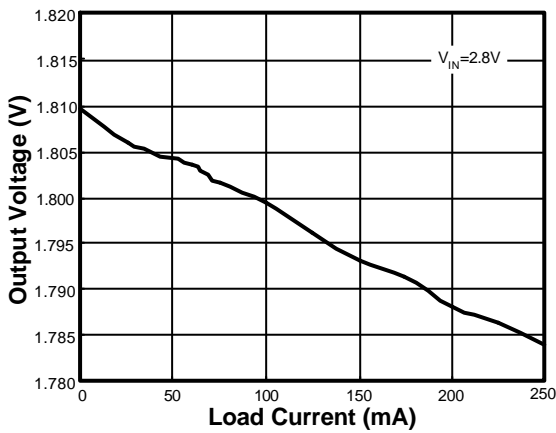
### Dropout Voltage vs Temperature



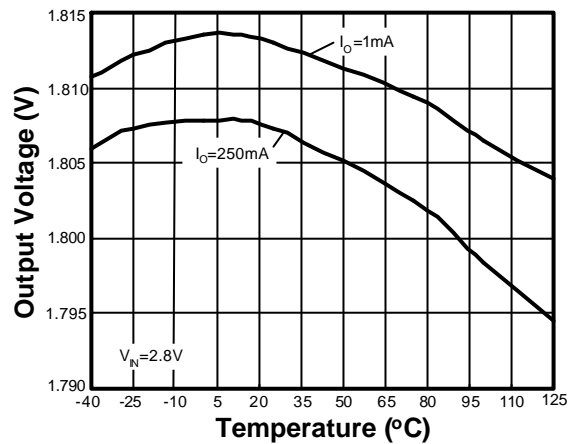
### Output Impedance vs Frequency



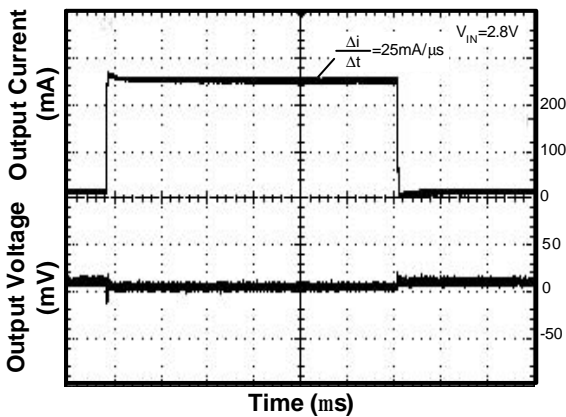
### Output Voltage vs Load Current



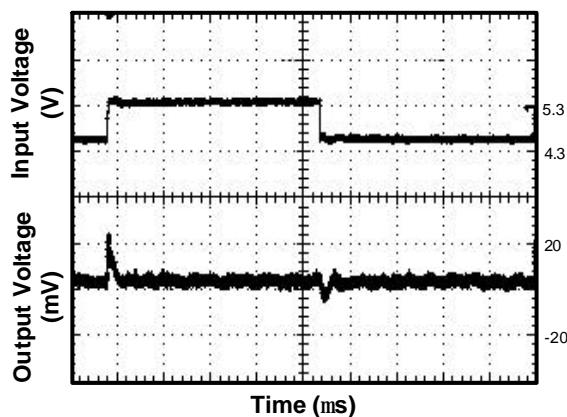
### Output Voltage vs Temperature



### Load Transient Response



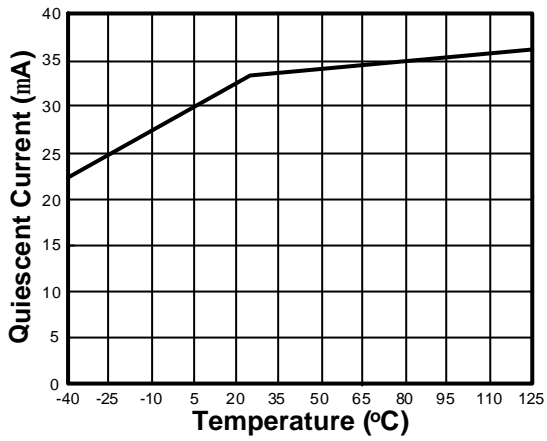
### Line Transient Response



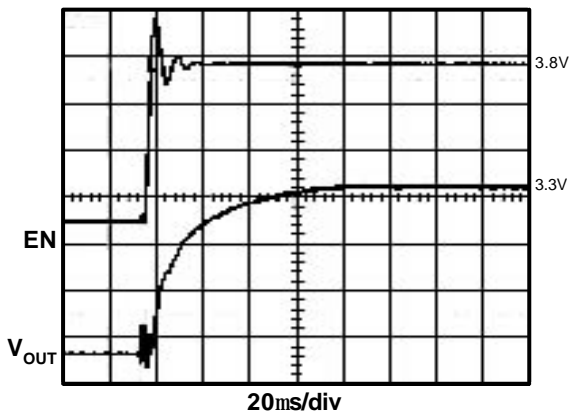
# AME8822

# High PSRR, 250mA CMOS LDO

Quiescent Current vs Temperature



Rising Time





# AME8822

# High PSRR, 250mA CMOS LDO

## ■ Date Code Rule

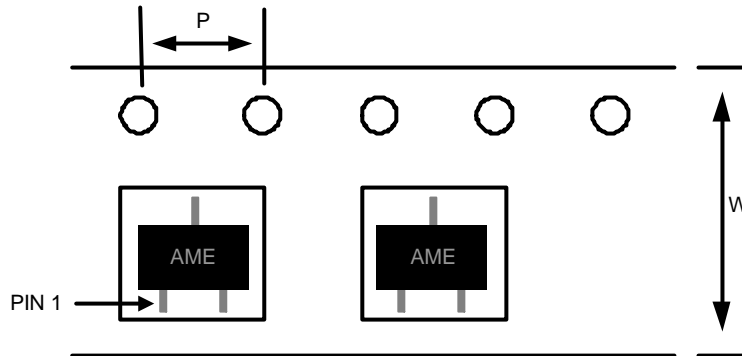
For SOT-23/SOT-25 Package Only

Marking			Date Code		Year
A	A	A	W	W	xxx0
A	A	A	W	<u>W</u>	xxx1
A	A	A	<u>W</u>	W	xxx2
A	A	A	<u>W</u>	<u>W</u>	xxx3
A	A	<u>A</u>	W	W	xxx4
A	A	<u>A</u>	W	<u>W</u>	xxx5
A	A	<u>A</u>	<u>W</u>	W	xxx6
A	A	<u>A</u>	<u>W</u>	<u>W</u>	xxx7
A	<u>A</u>	A	W	W	xxx8
A	<u>A</u>	A	W	<u>W</u>	xxx9

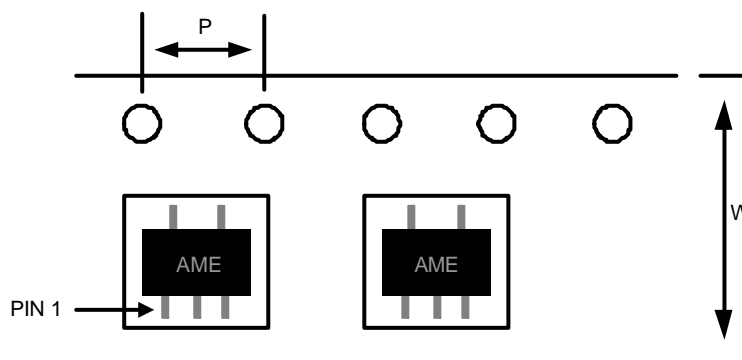
For SC-70 Package Only

Marking			Date Code	Year
A	A	A	W	xxx0
A	A	A	<u>W</u>	xxx1
A	A	<u>A</u>	W	xxx2
A	A	<u>A</u>	<u>W</u>	xxx3
A	<u>A</u>	A	W	xxx4
A	<u>A</u>	A	<u>W</u>	xxx5
A	<u>A</u>	<u>A</u>	W	xxx6
A	<u>A</u>	<u>A</u>	<u>W</u>	xxx7
<u>A</u>	A	A	W	xxx8
<u>A</u>	A	A	<u>W</u>	xxx9

w: Work Week Code		
A: 01&02	K: 21&22	U: 41&42
B: 03&04	L: 23&24	V: 43&44
C: 05&06	M: 25&26	W: 45&46
D: 07&08	N: 27&28	X: 47&48
E: 09&10	O: 29&30	Y: 49&50
F: 11&12	P: 31&32	Z: 51&52
G: 13&14	Q: 33&34	
H: 15&16	R: 35&36	
I: 17&18	S: 37&38	
J: 19&20	T: 39&40	

**AME8822**
**High PSRR, 250mA CMOS LDO**
**■ Tape and Reel Dimension**
**SOT-23**

**Carrier Tape, Number of Components Per Reel and Reel Size**

Package	Carrier Width (W)	Pitch (P)	Part Per Full Reel	Reel Size
SOT-23	8.0±0.1 mm	4.0±0.1 mm	3000pcs	180±1 mm

**SOT-25**

**Carrier Tape, Number of Components Per Reel and Reel Size**

Package	Carrier Width (W)	Pitch (P)	Part Per Full Reel	Reel Size
SOT-25	8.0±0.1 mm	4.0±0.1 mm	3000pcs	180±1 mm

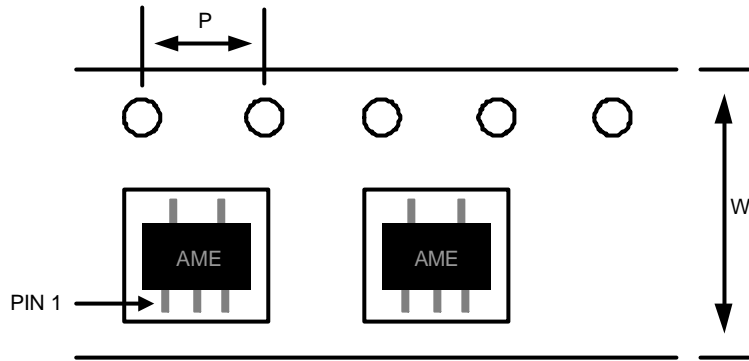


# AME8822

# High PSRR, 250mA CMOS LDO

## ■ Tape and Reel Dimension

SC-70-5



Carrier Tape, Number of Components Per Reel and Reel Size

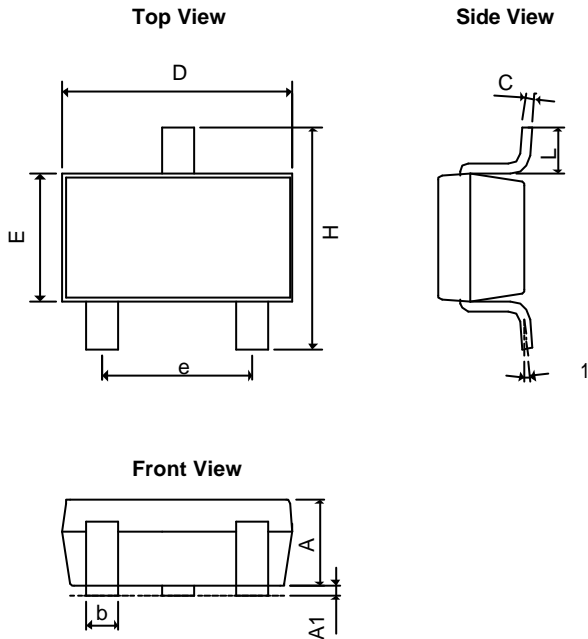
Package	Carrier Width (W)	Pitch (P)	Part Per Full Reel	Reel Size
SC-70-5	8.0±0.1 mm	4.0±0.1 mm	3000pcs	180±1 mm

# AME8822

# High PSRR, 250mA CMOS LDO

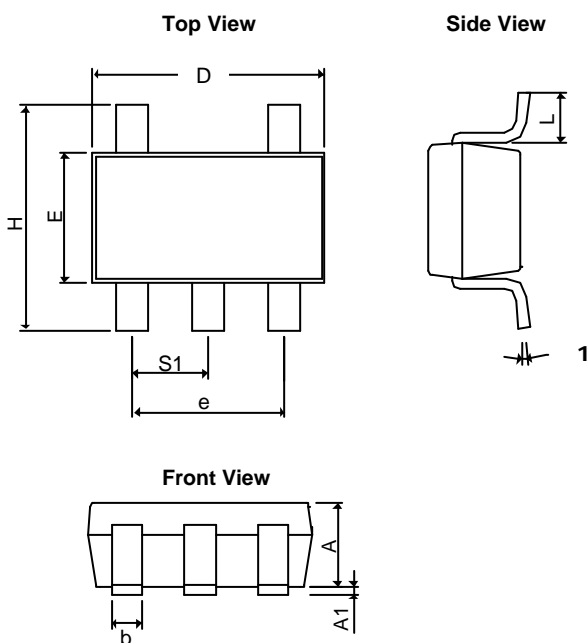
## Package Dimension

### SOT-23



SYMBOLS	MILLIMETERS		INCHES	
	MIN	MAX	MIN	MAX
A	1.00	1.40	0.0394	0.0551
A <sub>1</sub>	0.00	0.15	0.0000	0.0059
b	0.35	0.50	0.0138	0.0197
C	0.09	0.25	0.0035	0.0098
D	2.70	3.10	0.1063	0.1220
E	1.40	1.80	0.0551	0.0709
e	1.90 BSC		0.0748 BSC	
H	2.40	3.00	0.09449	0.11811
L	0.35BSC		0.0138BSC	
q1	0°	10°	0°	10°

### SOT-25



SYMBOLS	MILLIMETERS		INCHES	
	MIN	MAX	MIN	MAX
A	1.20REF		0.0472REF	
A <sub>1</sub>	0.00	0.15	0.0000	0.0059
b	0.30	0.55	0.0118	0.0217
D	2.70	3.10	0.1063	0.1220
E	1.40	1.80	0.0551	0.0709
e	1.90 BSC		0.07480 BSC	
H	2.60	3.00	0.10236	0.11811
L	0.37BSC		0.0146BSC	
q1	0°	10°	0°	10°
S <sub>1</sub>	0.95BSC		0.0374BSC	

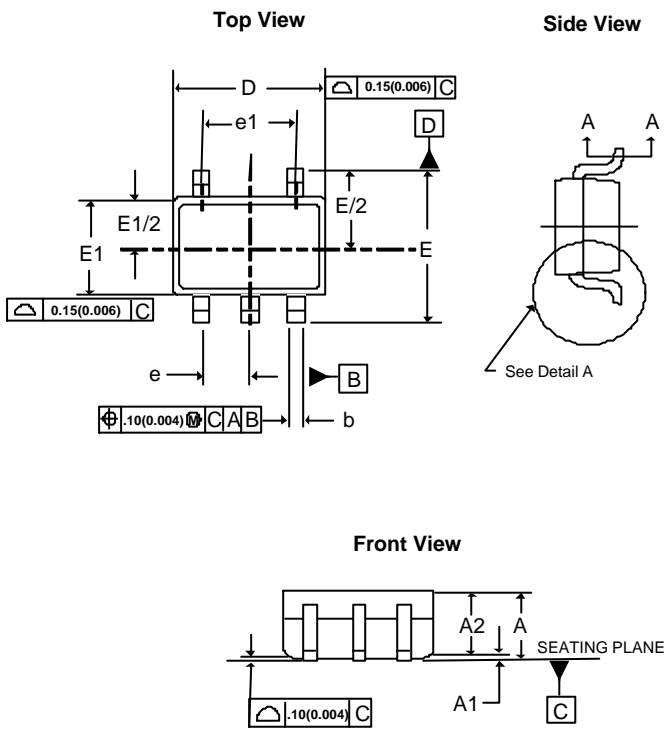


**AME8822**

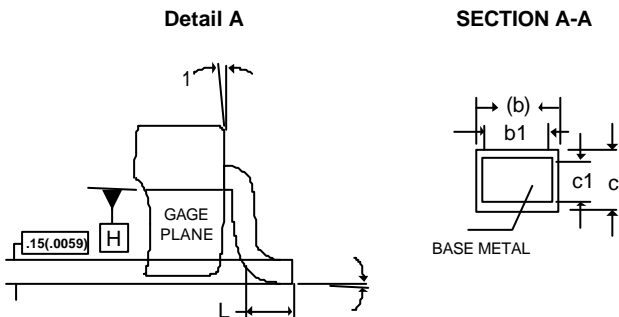
**High PSRR, 250mA CMOS LDO**

**■ Package Dimension**

**SC-70-5**



SYMBOLS	MILLIMETERS		INCHES	
	MIN	MAX	MIN	MAX
A	0.80	1.10	0.031	0.043
A1	0.00	0.10	0.000	0.004
A2	0.80	1.00	0.031	0.040
b	0.15	0.30	0.006	0.012
b1	0.15	0.25	0.006	0.010
c	0.08	0.25	0.003	0.010
c1	0.08	0.20	0.003	0.008
D	1.90	2.15	0.074	0.084
E	2.00	2.20	0.078	0.086
E1	1.15	1.35	0.045	0.055
e	0.65BSC		0.0255BSC	
e1	1.30BSC		0.0512BSC	
L	0.26	0.46	0.010	0.018
q1	0°	8°	0°	8°
q2	4°	10°	4°	10°





**www.ame.com.tw**  
**E-Mail: sales@ame.com.tw**

Life Support Policy:

These products of AME, Inc. are not authorized for use as critical components in life-support devices or systems, without the express written approval of the president of AME, Inc.

AME, Inc. reserves the right to make changes in the circuitry and specifications of its devices and advises its customers to obtain the latest version of relevant information.

© AME, Inc. , October 2007

Document: 1003-DS8822-D.05

**Corporate Headquarter**  
**AME, Inc.**

2F, 302 Rui-Guang Road, Nei-Hu District  
Taipei 114, Taiwan.  
Tel: 886 2 2627-8687  
Fax: 886 2 2659-2989

**U.S.A.(Subsidiary)**  
**Analog Microelectronics, Inc.**

3100 De La Cruz Blvd., Suite 201  
Santa Clara, CA. 95054-2438  
Tel : (408) 988-2388  
Fax: (408) 988-2489