

■ General Description

The AME8850 family of positive, linear regulators feature low quiescent current (30µA Typ.) with low dropout voltage, making them ideal for battery applications. The space-saving SOT-25/TSOT-25, SOP-8 & DFN-8(3mmx3mmx0.75mm) packages are attractive for " Pocket " and " Hand Held " applications.

These rugged devices have both Thermal Shutdown, and Current Fold-back to prevent device failure under the " Worst " operating conditions.

The AME8850 is stable with an output capacitance of 2.2µF or greater.

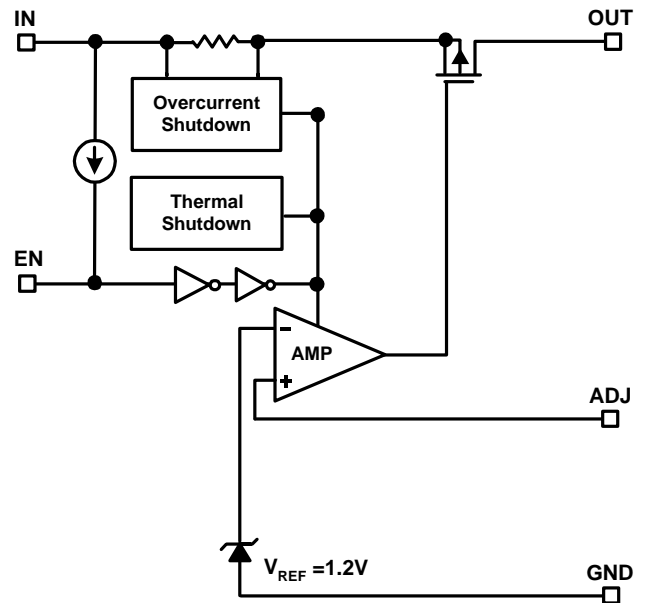
■ Features

- Very Low Dropout Voltage
- Guaranteed 600mA Output
- Typical 30µA Quiescent Current
- Output Voltage Accurate to within 2.5%
- Over-Temperature Shutdown
- Current Limiting
- Short Circuit Current Fold-back
- Power-Saving Shutdown Mode
- Space-Saving SOT-25/TSOT-25, SOP-8 & DFN-8 (3mmx3mmx0.75mm) Packages
- User Adjustable Output Voltages
- Low Temperature Coefficient
- All AME's Lead Free Products Meet RoHS Standards

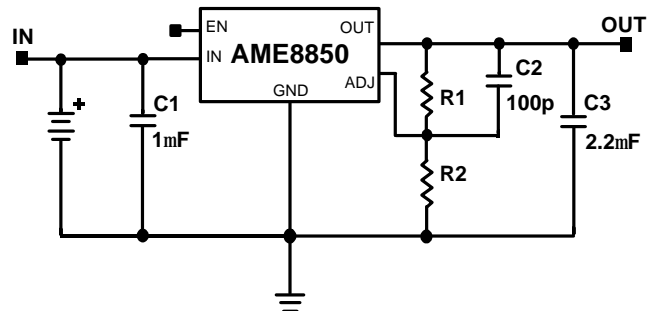
■ Applications

- Instrumentation
- Portable Electronics
- Wireless Devices
- Cordless Phones
- PC Peripherals
- Battery Powered Widgets

■ Functional Block Diagram



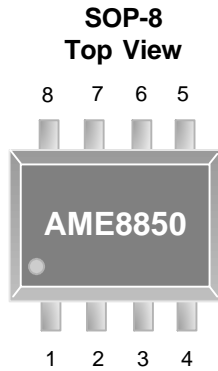
■ Typical Application



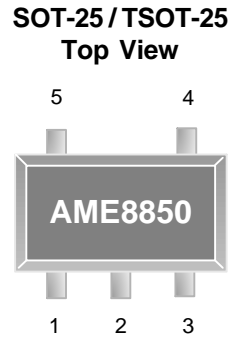
$$V_{OUT} = 1.2 (R1/R2 + 1)$$

C2 is unnecessary if R1 or R2 < 20 K Ohms

R₁ and R₂ use resistance value within 1% accuracy for correct V_{OUT}

■ Pin Configuration

AME8850AEHA

1. IN
2. GND
3. GND
4. EN
5. ADJ
6. GND
7. GND
8. OUT

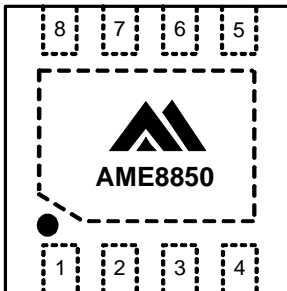

AME8850AEEV

1. IN
2. GND
3. EN
4. ADJ
5. OUT

*** Die Attach:**
Conductive Epoxy

*** Die Attach:**
Conductive Epoxy

DFN-8
(3mmx3mmx0.75mm)
Top View


AME8850AEVA

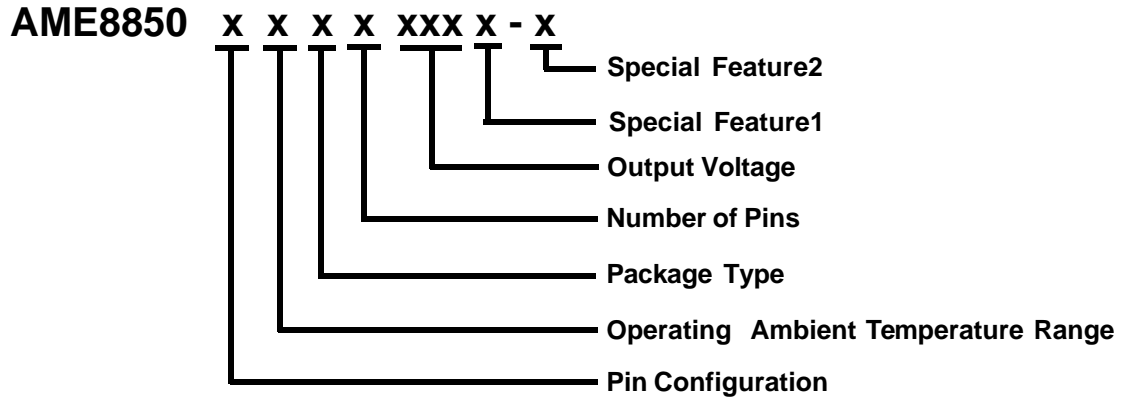
1. EN
2. GND
3. GND
4. IN
5. OUT
6. GND
7. GND
8. ADJ

*** Die Attach:**
Conductive Epoxy

Note:
The area enclosed by dashed line represents Exposed Pad and connect to GND.



■ Ordering Information



Pin Configuration	Operating Ambient Temperature Range	Package Type	Number of Pins	Output Voltage	Special Feature1	Special Feature 2 (For DFN package only)
A: 1. IN <small>(SOP-8)</small> 2. GND 3. GND 4. EN 5. ADJ 6. GND 7. GND 8. OUT A: 1. EN <small>(DFN-8)</small> 2. GND 3. GND 4. IN 5. OUT 6. GND 7. GND 8. ADJ A: 1. IN <small>(SOT-25)</small> 2. GND <small>(TSOT-25)</small> 3. EN 4. ADJ 5. OUT	E: -40°C to 85°C	H: SOP V: DFN E: SOT-2X	A: 8 V: 5	ADJ: Adjustable	Z: Lead Free Y: Lead Free & Low Profile <small>(For TSOT-25 only)</small>	3: 3x3x0.75(mm)(LxWxH)



■ Ordering Information

Part Number	Marking*	Output Voltage	Package	Operating Ambient Temperature Range
AME8850AEHAADJZ	8850 AEHA yyww	Adjustable	SOP-8	- 40°C to 85°C
AME8850AEEVADJZ	BIRww	Adjustable	SOT-25	- 40°C to 85°C
AME8850AEEVADJY	BIRww	Adjustable	TSOT-25	- 40°C to 85°C
AME8850AEVAADJZ-3	BIQ yyww	Adjustable	DFN-8 (3mmx3mmx0.75mm)	- 40°C to 85°C

Note: yyww & ww represents the date code and pls refer to Date Code Rule page on Package Dimension.

* A line on top of the first letter represents lead free plating such as 8850

Please consult AME sales office or authorized Rep./Distributor for package type availability.



■ Absolute Maximum Ratings

Parameter	Maximum	Unit
Input Voltage	-0.3 to 8	V
EN Voltage	-0.3 to 8	V
Output Voltage	-0.3 to $V_{IN} + 0.3$	V
Output Current	$P_D / (V_{IN} - V_{OUT})$	mA
ESD Classification	B*	

Caution: Stress above the listed absolute maximum rating may cause permanent damage to the device.

*HBM B:2000V~3999V

■ Recommended Operating Conditions

Parameter	Symbol	Rating	Unit
Ambient Temperature Range	T_A	- 40 to 85	°C
Junction Temperature Range	T_J	- 40 to 125	°C
Storage Temperature Range	T_{STG}	- 65 to 150	°C



■ Thermal Information

Parameter	Package	Die Attach	Symbol	Maximum	Unit
Thermal Resistance* (Junction to Case)	SOP-8	Conductive Epoxy	θ_{JC}	60	°C / W
	SOT-25 / TSOT-25			81	
	DFN-8 (3mmx3mmx0.75mm)			17	
Thermal Resistance (Junction to Ambient)	SOP-8		θ_{JA}	150	
	SOT-25 / TSOT-25			260	
	DFN-8 (3mmx3mmx0.75mm)			125	
Internal Power Dissipation	SOP-8		P_D	810	mW
	SOT-25 / TSOT-25			400	
	DFN-8 (3mmx3mmx0.75mm)			800	
Solder Iron (10 Sec)**				350	°C

* Measure θ_{JC} on center of molding compound if IC has no tab.

** MIL-STD-202G 210F

■ Electrical Specifications
 $T_A = 25^\circ\text{C}$ unless otherwise noted

Parameter	Symbol	Test Condition	Min	Typ	Max	Units
Input Voltage	V_{IN}		Note 1		7	V
Output Voltage Accuracy	V_{OUT}	$I_{OUT} = 1\text{mA}$	-2.5		2.5	%
Dropout Voltage	$V_{DROPOUT}$	$I_{OUT} = 600\text{mA}$ $V_{OUT} = V_{OUT(nom)} - 2.0\%$	$1.2\text{V} < V_{OUT(nom)} \leq 2.0\text{V}$	See chart	1400	mV
			$2.0\text{V} < V_{OUT(nom)} \leq 2.8\text{V}$		800	
			$2.8\text{V} < V_{OUT(nom)}$		600	
Output Current	I_{OUT}	$V_{OUT} > 1.2\text{V}$	600			mA
Current Limit	I_{LIM}	$V_{OUT} \geq 1.2\text{V}$	600	800		mA
Short Circuit Current	I_{SC}	$V_{OUT} < 0.8\text{V}$		300	600	mA
Quiescent Current	I_Q	$I_{OUT} = 0\text{mA}$		30	50	μA
Ground Pin Current	I_{GND}	$I_{OUT} = 1\text{mA to } 600\text{mA}$		30		μA
Line Regulation	REG_{LINE}	$I_{OUT} = 1\text{mA}$ $V_{IN} = V_{OUT} + 1\text{ to } V_{OUT} + 2$	$V_{OUT} < 2.0\text{V}$		0.15	%
			$V_{OUT} \geq 2.0\text{V}$	0.02	0.1	%
Load Regulation	REG_{LOAD}	$I_{OUT} = 1\text{mA to } 600\text{mA}$		0.2	1	%
Over Temperature Shutdown	OTS			150		$^\circ\text{C}$
Over Temperature Hysteresis	OTH			30		$^\circ\text{C}$
V_O Temperature Coefficient	TC			30		ppm/ $^\circ\text{C}$
Power Supply Ripple Rejection	PSRR	$I_{OUT} = 100\text{mA}$ $C_O = 2.2\mu\text{F}$	$f = 1\text{kHz}$		50	dB
			$f = 10\text{kHz}$		20	
			$f = 100\text{kHz}$		15	
Output Voltage Noise	e_N	$f = 10\text{Hz to } 100\text{kHz}$ $I_{OUT} = 10\text{mA}$			30	μVrms
ADJ Reference Voltage	V_{REF}		1.176	1.200	1.224	V
EN Input Threshold	V_{EH}	$V_{IN} = 2.7\text{V to } 7\text{V}$	2.0		V_{in}	V
	V_{EL}	$V_{IN} = 2.7\text{V to } 7\text{V}$	0		0.4	V
EN Input Bias Current	I_{EH}	$V_{EN} = V_{IN}, V_{IN} = 2.7\text{V to } 7\text{V}$			0.1	μA
	I_{EL}	$V_{EN} = 0\text{V}, V_{IN} = 2.7\text{V to } 7\text{V}$			0.5	μA
Shutdown Current	I_{SHDN}	$V_{IN} = 5\text{V}, V_{OUT} = 0\text{V}, V_{EN} < V_{EL}$		0.5	1	μA

 Note1: $V_{IN(min)} = V_{OUT} + V_{DROPOUT}$



■ Detailed Description

The AME8850 family of CMOS regulators contain a PMOS pass transistor, voltage reference, error amplifier, over-current protection, and thermal shutdown.

The P-channel pass transistor receives data from the error amplifier, over-current shutdown, and thermal protection circuits. During normal operation, the error amplifier compares the output voltage to a precision reference. Over-current and Thermal shutdown circuits become active when the junction temperature exceeds 150°C, or the current exceeds 600mA. During thermal shutdown, the output voltage remains low. Normal operation is restored when the junction temperature drops below 120°C.

The AME8850 switches from voltage mode to current mode when the load exceeds the rated output current. This prevents over-stress. The AME8850 also incorporates current fold-back to reduce power dissipation when the output is short circuited. This feature becomes active when the output drops below 0.8 volts, and reduces the current flow by 65%. Full current is restored when the voltage exceeds 0.8 volts.

■ External Capacitors

The AME8850 is stable with an output capacitor to ground of 2.2 μ F or greater. Ceramic capacitors have the lowest ESR, and will offer the best AC performance. Conversely, Aluminum Electrolytic capacitors exhibit the highest ESR, resulting in the poorest AC response. Unfortunately, large value ceramic capacitors are comparatively expensive. One option is to parallel a 0.1 μ F ceramic capacitor with a 10 μ F Aluminum Electrolytic. The benefit is low ESR, high capacitance, and low overall cost.

A second capacitor is recommended between the input and ground to stabilize V_{in} . The input capacitor should be at least 0.1 μ F to have a beneficial effect.

All capacitors should be placed in close proximity to the pins. A "Quiet" ground termination is desirable. This can be achieved with a "Star" connection.

■ Enable

The Enable pin normally floats high. When actively, pulled low, the PMOS pass transistor shuts off, and all internal circuits are powered down. In this state, the quiescent current is less than 1 μ A. This pin behaves much like an electronic switch.

■ ADJ

The ADJ pin is the positive input to the error amplifier which, due to the PMOS pass element inversion, means it is actually the negative input of the LDO feedback loop. The feedback works to keep the voltage at the ADJ pin 1.2V with respect to ground. Since the internal circuitry at the ADJ pin is essentially an ESD protected CMOS gate the input current at the ADJ pin is virtually zero.

External Resistor Divider Table (contd.)

R1 (K Ohm)	0	1	2	3	4	5	6	7	8	9	10
Vout	$R2(K\ Ohm)=(1.2*R1(K\ Ohm))/(Vout-1.2)$										
1.20	330	N/A									
1.25	N/A	24.00	48.00	72.00	96.00	120.00	144.00	168.00	192.00	216.00	240.00
1.30		12.00	24.00	36.00	48.00	60.00	72.00	84.00	96.00	108.00	120.00
1.35		8.00	16.00	24.00	32.00	40.00	48.00	56.00	64.00	72.00	80.00
1.40		6.00	12.00	18.00	24.00	30.00	36.00	42.00	48.00	54.00	60.00
1.45		4.80	9.60	14.40	19.20	24.00	28.80	33.60	38.40	43.20	48.00
1.50		4.00	8.00	12.00	16.00	20.00	24.00	28.00	32.00	36.00	40.00
1.55		3.43	6.86	10.29	13.71	17.14	20.57	24.00	27.43	30.86	34.29
1.60		3.00	6.00	9.00	12.00	15.00	18.00	21.00	24.00	27.00	30.00
1.65		2.67	5.33	8.00	10.67	13.33	16.00	18.67	21.33	24.00	26.67
1.70		2.40	4.80	7.20	9.60	12.00	14.40	16.80	19.20	21.60	24.00
1.75		2.18	4.36	6.55	8.73	10.91	13.09	15.27	17.45	19.64	21.82
1.80		2.00	4.00	6.00	8.00	10.00	12.00	14.00	16.00	18.00	20.00
1.85		1.85	3.69	5.54	7.38	9.23	11.08	12.92	14.77	16.62	18.46
1.90		1.71	3.43	5.14	6.86	8.57	10.29	12.00	13.71	15.43	17.14
1.95		1.60	3.20	4.80	6.40	8.00	9.60	11.20	12.80	14.40	16.00
2.00		1.50	3.00	4.50	6.00	7.50	9.00	10.50	12.00	13.50	15.00
2.05		1.41	2.82	4.24	5.65	7.06	8.47	9.88	11.29	12.71	14.12
2.10		1.33	2.67	4.00	5.33	6.67	8.00	9.33	10.67	12.00	13.33
2.15		1.26	2.53	3.79	5.05	6.32	7.58	8.84	10.11	11.37	12.63
2.20		1.20	2.40	3.60	4.80	6.00	7.20	8.40	9.60	10.80	12.00
2.25		1.14	2.29	3.43	4.57	5.71	6.86	8.00	9.14	10.29	11.43
2.30		1.09	2.18	3.27	4.36	5.45	6.55	7.64	8.73	9.82	10.91
2.35		1.04	2.09	3.13	4.17	5.22	6.26	7.30	8.35	9.39	10.43
2.40		1.00	2.00	3.00	4.00	5.00	6.00	7.00	8.00	9.00	10.00
2.45		0.96	1.92	2.88	3.84	4.80	5.76	6.72	7.68	8.64	9.60
2.50		0.92	1.85	2.77	3.69	4.62	5.54	6.46	7.38	8.31	9.23
2.55		0.89	1.78	2.67	3.56	4.44	5.33	6.22	7.11	8.00	8.89
2.60		0.86	1.71	2.57	3.43	4.29	5.14	6.00	6.86	7.71	8.57
2.65		0.83	1.66	2.48	3.31	4.14	4.97	5.79	6.62	7.45	8.28
2.70		0.80	1.60	2.40	3.20	4.00	4.80	5.60	6.40	7.20	8.00
2.75	0.77	1.55	2.32	3.10	3.87	4.65	5.42	6.19	6.97	7.74	
2.80	0.75	1.50	2.25	3.00	3.75	4.50	5.25	6.00	6.75	7.50	
2.85	0.73	1.45	2.18	2.91	3.64	4.36	5.09	5.82	6.55	7.27	
2.90	0.71	1.41	2.12	2.82	3.53	4.24	4.94	5.65	6.35	7.06	
2.95	0.69	1.37	2.06	2.74	3.43	4.11	4.80	5.49	6.17	6.86	
3.00	0.67	1.33	2.00	2.67	3.33	4.00	4.67	5.33	6.00	6.67	
3.05	0.65	1.30	1.95	2.59	3.24	3.89	4.54	5.19	5.84	6.49	
3.10	0.63	1.26	1.89	2.53	3.16	3.79	4.42	5.05	5.68	6.32	



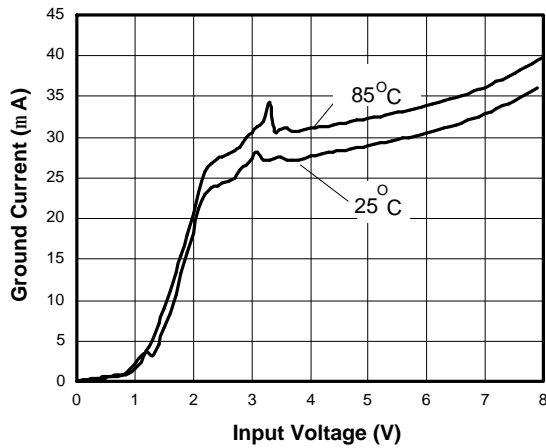
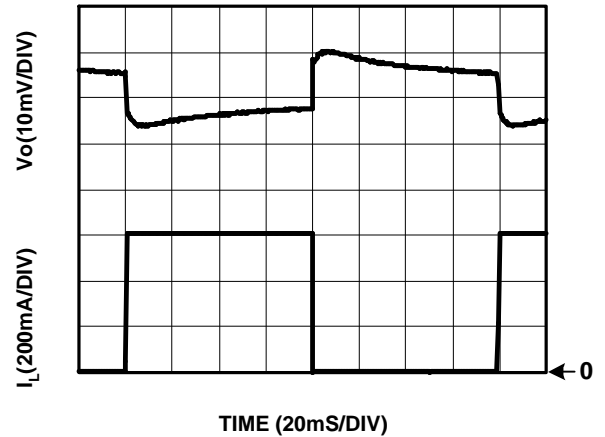
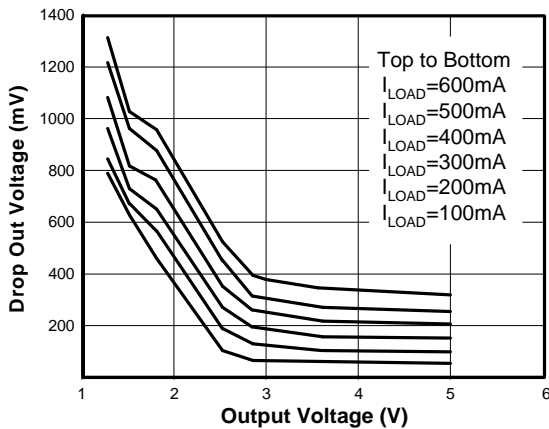
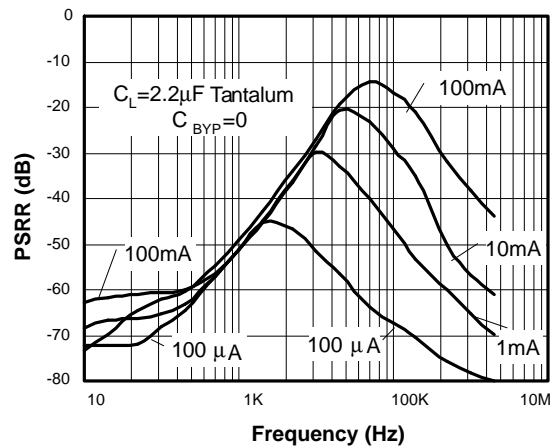
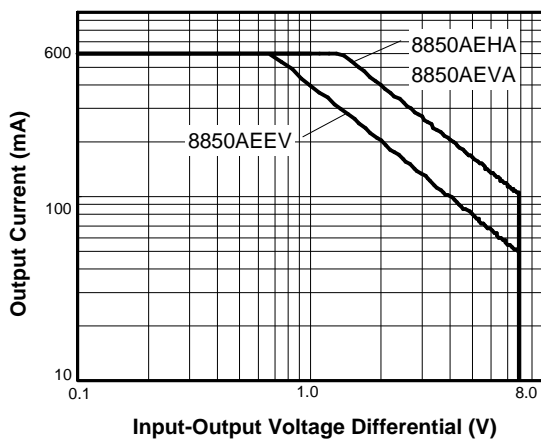
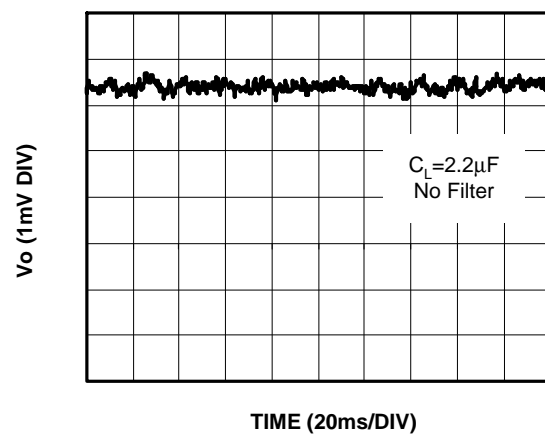
External Resistor Divider Table (contd.)

Note: If V_{OUT}=1.2V then R1=0 W and max value of R2 is 300KW.

R1 (K Ohm)	1	2	3	4	5	6	7	8	9	10
Vout	$R2(K\ Ohm)=(1.2*R1(K\ Ohm))/(Vout-1.2)$									
1.25	24.00	48.00	72.00	96.00	120.00	144.00	168.00	192.00	216.00	240.00
1.30	12.00	24.00	36.00	48.00	60.00	72.00	84.00	96.00	108.00	120.00
1.35	8.00	16.00	24.00	32.00	40.00	48.00	56.00	64.00	72.00	80.00
1.40	6.00	12.00	18.00	24.00	30.00	36.00	42.00	48.00	54.00	60.00
1.45	4.80	9.60	14.40	19.20	24.00	28.80	33.60	38.40	43.20	48.00
1.50	4.00	8.00	12.00	16.00	20.00	24.00	28.00	32.00	36.00	40.00
1.55	3.43	6.86	10.29	13.71	17.14	20.57	24.00	27.43	30.86	34.29
1.60	3.00	6.00	9.00	12.00	15.00	18.00	21.00	24.00	27.00	30.00
1.65	2.67	5.33	8.00	10.67	13.33	16.00	18.67	21.33	24.00	26.67
1.70	2.40	4.80	7.20	9.60	12.00	14.40	16.80	19.20	21.60	24.00
1.75	2.18	4.36	6.55	8.73	10.91	13.09	15.27	17.45	19.64	21.82
1.80	2.00	4.00	6.00	8.00	10.00	12.00	14.00	16.00	18.00	20.00
1.85	1.85	3.69	5.54	7.38	9.23	11.08	12.92	14.77	16.62	18.46
1.90	1.71	3.43	5.14	6.86	8.57	10.29	12.00	13.71	15.43	17.14
1.95	1.60	3.20	4.80	6.40	8.00	9.60	11.20	12.80	14.40	16.00
2.00	1.50	3.00	4.50	6.00	7.50	9.00	10.50	12.00	13.50	15.00
2.05	1.41	2.82	4.24	5.65	7.06	8.47	9.88	11.29	12.71	14.12
2.10	1.33	2.67	4.00	5.33	6.67	8.00	9.33	10.67	12.00	13.33
2.15	1.26	2.53	3.79	5.05	6.32	7.58	8.84	10.11	11.37	12.63
2.20	1.20	2.40	3.60	4.80	6.00	7.20	8.40	9.60	10.80	12.00
2.25	1.14	2.29	3.43	4.57	5.71	6.86	8.00	9.14	10.29	11.43
2.30	1.09	2.18	3.27	4.36	5.45	6.55	7.64	8.73	9.82	10.91
2.35	1.04	2.09	3.13	4.17	5.22	6.26	7.30	8.35	9.39	10.43
2.40	1.00	2.00	3.00	4.00	5.00	6.00	7.00	8.00	9.00	10.00
2.45	0.96	1.92	2.88	3.84	4.80	5.76	6.72	7.68	8.64	9.60
2.50	0.92	1.85	2.77	3.69	4.62	5.54	6.46	7.38	8.31	9.23
2.55	0.89	1.78	2.67	3.56	4.44	5.33	6.22	7.11	8.00	8.89
2.60	0.86	1.71	2.57	3.43	4.29	5.14	6.00	6.86	7.71	8.57
2.65	0.83	1.66	2.48	3.31	4.14	4.97	5.79	6.62	7.45	8.28
2.70	0.80	1.60	2.40	3.20	4.00	4.80	5.60	6.40	7.20	8.00
2.75	0.77	1.55	2.32	3.10	3.87	4.65	5.42	6.19	6.97	7.74
2.80	0.75	1.50	2.25	3.00	3.75	4.50	5.25	6.00	6.75	7.50
2.85	0.73	1.45	2.18	2.91	3.64	4.36	5.09	5.82	6.55	7.27
2.90	0.71	1.41	2.12	2.82	3.53	4.24	4.94	5.65	6.35	7.06
2.95	0.69	1.37	2.06	2.74	3.43	4.11	4.80	5.49	6.17	6.86
3.00	0.67	1.33	2.00	2.67	3.33	4.00	4.67	5.33	6.00	6.67
3.05	0.65	1.30	1.95	2.59	3.24	3.89	4.54	5.19	5.84	6.49
3.10	0.63	1.26	1.89	2.53	3.16	3.79	4.42	5.05	5.68	6.32

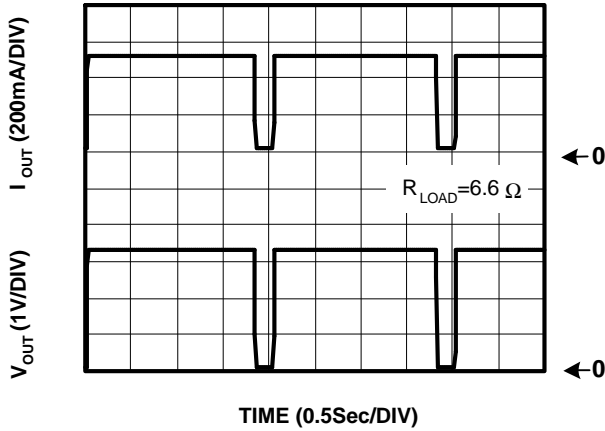
External Resistor Divider Table

R1 (K Ohm)	1	2	3	4	5	6	7	8	9	10
Vout	$R2(K\ Ohm)=(1.2*R1(K\ Ohm))/(Vout-1.2)$									
3.15	0.62	1.23	1.85	2.46	3.08	3.69	4.31	4.92	5.54	6.15
3.20	0.60	1.20	1.80	2.40	3.00	3.60	4.20	4.80	5.40	6.00
3.25	0.59	1.17	1.76	2.34	2.93	3.51	4.10	4.68	5.27	5.85
3.30	0.57	1.14	1.71	2.29	2.86	3.43	4.00	4.57	5.14	5.71
3.35	0.56	1.12	1.67	2.23	2.79	3.35	3.91	4.47	5.02	5.58
3.40	0.55	1.09	1.64	2.18	2.73	3.27	3.82	4.36	4.91	5.45
3.45	0.53	1.07	1.60	2.13	2.67	3.20	3.73	4.27	4.80	5.33
3.50	0.52	1.04	1.57	2.09	2.61	3.13	3.65	4.17	4.70	5.22
3.55	0.51	1.02	1.53	2.04	2.55	3.06	3.57	4.09	4.60	5.11
3.60	0.50	1.00	1.50	2.00	2.50	3.00	3.50	4.00	4.50	5.00
3.65	0.49	0.98	1.47	1.96	2.45	2.94	3.43	3.92	4.41	4.90
3.70	0.48	0.96	1.44	1.92	2.40	2.88	3.36	3.84	4.32	4.80
3.75	0.47	0.94	1.41	1.88	2.35	2.82	3.29	3.76	4.24	4.71
3.80	0.46	0.92	1.38	1.85	2.31	2.77	3.23	3.69	4.15	4.62
3.85	0.45	0.91	1.36	1.81	2.26	2.72	3.17	3.62	4.08	4.53
3.90	0.44	0.89	1.33	1.78	2.22	2.67	3.11	3.56	4.00	4.44
3.95	0.44	0.87	1.31	1.75	2.18	2.62	3.05	3.49	3.93	4.36
4.00	0.43	0.86	1.29	1.71	2.14	2.57	3.00	3.43	3.86	4.29
4.05	0.42	0.84	1.26	1.68	2.11	2.53	2.95	3.37	3.79	4.21
4.10	0.41	0.83	1.24	1.66	2.07	2.48	2.90	3.31	3.72	4.14
4.15	0.41	0.81	1.22	1.63	2.03	2.44	2.85	3.25	3.66	4.07
4.20	0.40	0.80	1.20	1.60	2.00	2.40	2.80	3.20	3.60	4.00
4.25	0.39	0.79	1.18	1.57	1.97	2.36	2.75	3.15	3.54	3.93
4.30	0.39	0.77	1.16	1.55	1.94	2.32	2.71	3.10	3.48	3.87
4.35	0.38	0.76	1.14	1.52	1.90	2.29	2.67	3.05	3.43	3.81
4.40	0.37	0.75	1.13	1.50	1.87	2.25	2.62	3.00	3.37	3.75
4.45	0.37	0.74	1.11	1.48	1.85	2.22	2.58	2.95	3.32	3.69
4.50	0.36	0.73	1.09	1.45	1.82	2.18	2.55	2.91	3.27	3.64
4.55	0.36	0.72	1.07	1.43	1.79	2.15	2.51	2.87	3.22	3.58
4.60	0.35	0.71	1.06	1.41	1.76	2.12	2.47	2.82	3.18	3.53
4.65	0.35	0.70	1.04	1.39	1.74	2.09	2.43	2.78	3.13	3.48
4.70	0.34	0.69	1.03	1.37	1.71	2.06	2.40	2.74	3.09	3.43
4.75	0.34	0.68	1.01	1.35	1.69	2.03	2.37	2.70	3.04	3.38
4.80	0.33	0.67	1.00	1.33	1.67	2.00	2.33	2.67	3.00	3.33
4.85	0.33	0.66	0.99	1.32	1.64	1.97	2.30	2.63	2.96	3.29
4.90	0.32	0.65	0.97	1.30	1.62	1.95	2.27	2.59	2.92	3.24
4.95	0.32	0.64	0.96	1.28	1.60	1.92	2.24	2.56	2.88	3.20
5.00	0.32	0.63	0.95	1.26	1.58	1.89	2.21	2.53	2.84	3.16

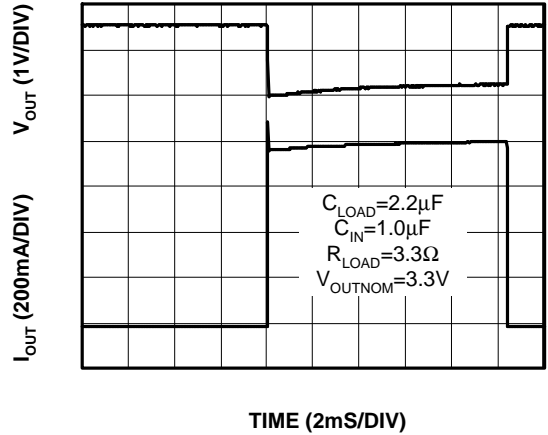
Ground Current vs. Input Voltage

Load Step (1mA-600mA)

Drop Out Voltage vs. Output Voltage

Power Supply Rejection Ratio

Safe Operating Area

Noise Measurement




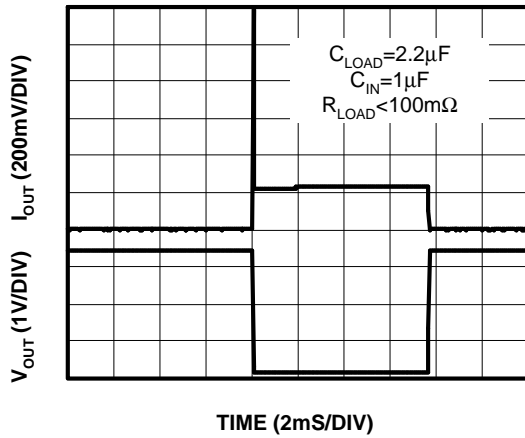
Overtemperature Shutdown



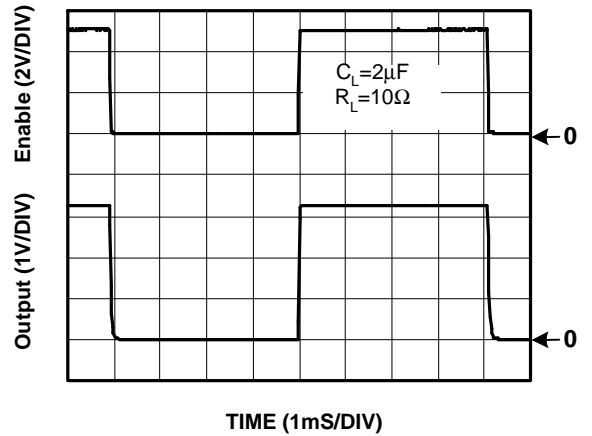
Current Limit Response



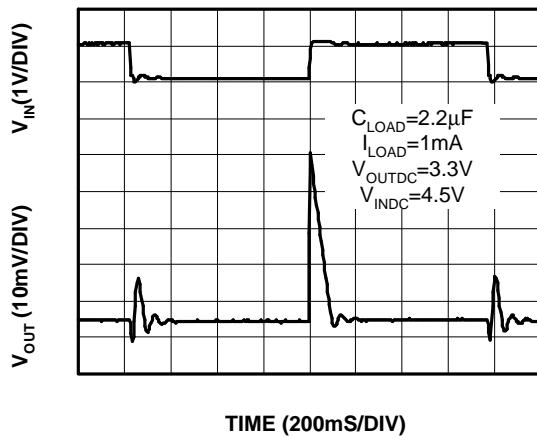
Short Circuit Response



Chip Enable Transient Response



Line Transient Response

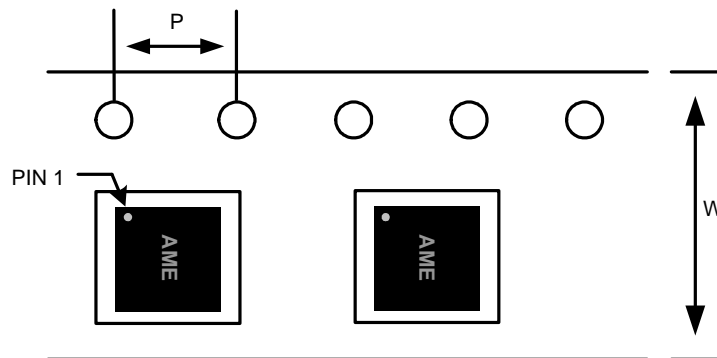


■ Date Code Rule

Marking			Date Code		Year
A	A	A	W	W	xxx0
A	A	A	W	<u>W</u>	xxx1
A	A	A	<u>W</u>	W	xxx2
A	A	A	<u>W</u>	<u>W</u>	xxx3
A	A	<u>A</u>	W	W	xxx4
A	A	<u>A</u>	W	<u>W</u>	xxx5
A	A	<u>A</u>	<u>W</u>	W	xxx6
A	A	<u>A</u>	<u>W</u>	<u>W</u>	xxx7
A	<u>A</u>	A	W	W	xxx8
A	<u>A</u>	A	W	<u>W</u>	xxx9

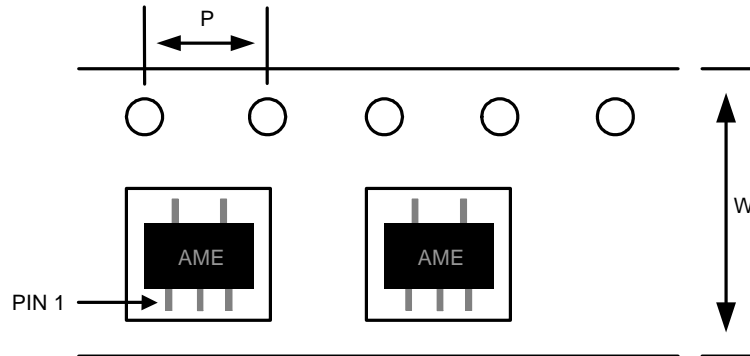
■ Tape and Reel Dimension

DFN-8
(3mmx3mmx0.75mm)

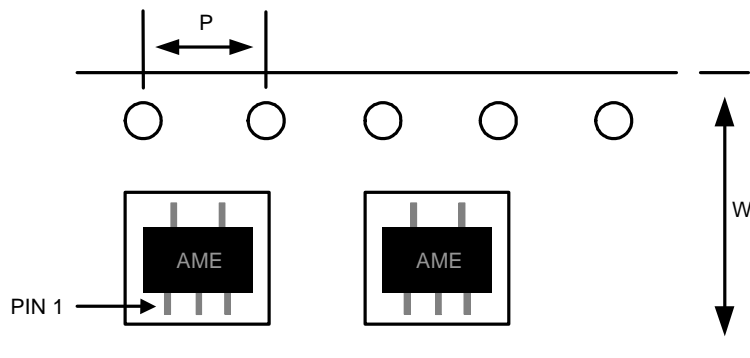


Carrier Tape, Number of Components Per Reel and Reel Size

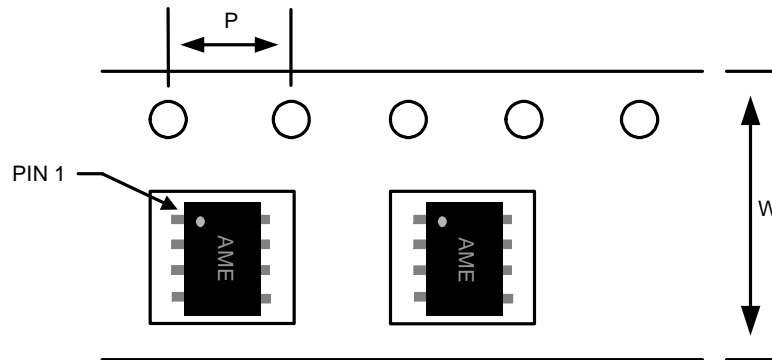
Package	Carrier Width (W)	Pitch (P)	Part Per Full Reel	Reel Size
DFN-8 (3x3x0.75mm)	12.0±0.1 mm	4.0±0.1 mm	3000pcs	330±1 mm

■ Tape and Reel Dimension
SOT-25

Carrier Tape, Number of Components Per Reel and Reel Size

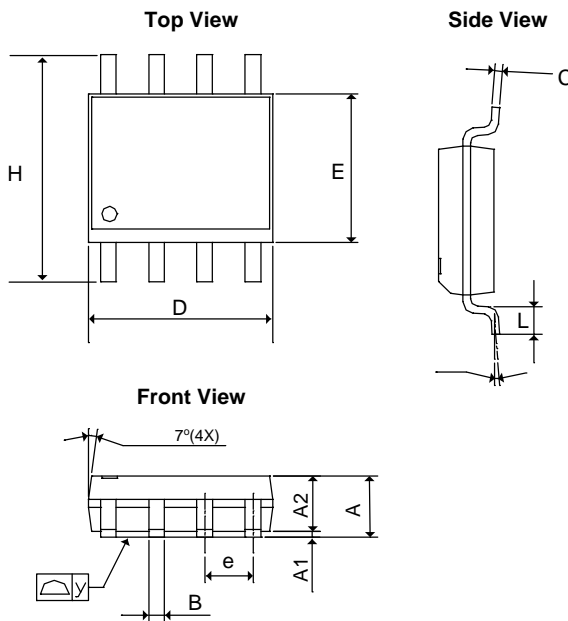
Package	Carrier Width (W)	Pitch (P)	Part Per Full Reel	Reel Size
SOT-25	8.0±0.1 mm	4.0±0.1 mm	3000pcs	180±1 mm

TSOT-25

Carrier Tape, Number of Components Per Reel and Reel Size

Package	Carrier Width (W)	Pitch (P)	Part Per Full Reel	Reel Size
TSOT-25	8.0±0.1 mm	4.0±0.1 mm	3000pcs	180±1 mm

■ Tape and Reel Dimension
SOP-8

Carrier Tape, Number of Components Per Reel and Reel Size

Package	Carrier Width (W)	Pitch (P)	Part Per Full Reel	Reel Size
SOP-8	12.0±0.1 mm	4.0±0.1 mm	2500pcs	330±1 mm

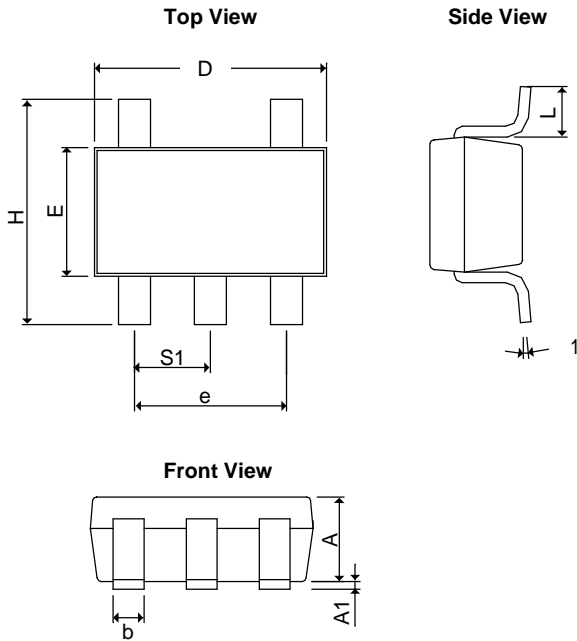
■ Package Dimension
SOP-8


SYMBOLS	MILLIMETERS		INCHES	
	MIN	MAX	MIN	MAX
A	1.35	1.75	0.05315	0.0689
A ₁	0.10	0.30	0.00394	0.01181
A ₂	1.473 REF		0.05799 REF	
B	0.33	0.51	0.01299	0.02008
C	0.19	0.25	0.00748	0.00984
D	4.80	5.33	0.18898	0.20984
E	3.80	4.00	0.14961	0.15748
e	1.27 BSC		0.05000 BSC	
L	0.40	1.27	0.01575	0.05000
H	5.80	6.30	0.22835	0.24803
y	-	0.10	-	0.00394
q	0°	8°	0°	8°



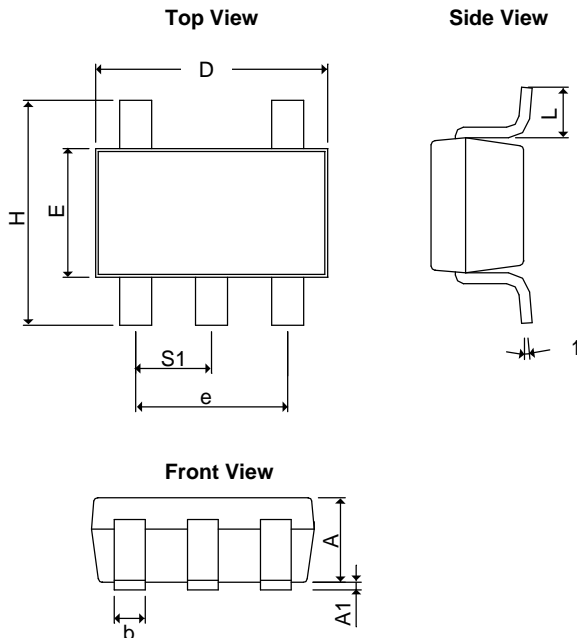
■ Package Dimension

SOT-25



SYMBOLS	MILLIMETERS		INCHES	
	MIN	MAX	MIN	MAX
A	1.20REF		0.0472REF	
A ₁	0.00	0.15	0.0000	0.0059
b	0.30	0.55	0.0118	0.0217
D	2.70	3.10	0.1063	0.1220
E	1.40	1.80	0.0551	0.0709
e	1.90 BSC		0.07480 BSC	
H	2.60	3.00	0.10236	0.11811
L	0.37BSC		0.0146BSC	
q1	0°	10°	0°	10°
S ₁	0.95BSC		0.0374BSC	

TSOT-25

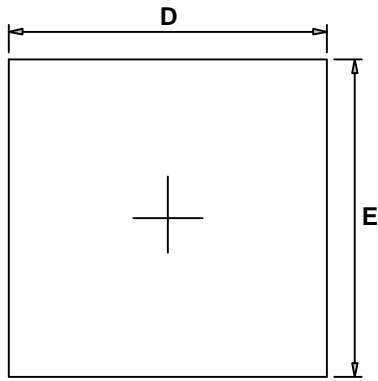


SYMBOLS	MILLIMETERS		INCHES	
	MIN	MAX	MIN	MAX
A+A ₁	0.90	1.25	0.0354	0.0492
b	0.30	0.50	0.0118	0.0197
D	2.70	3.10	0.1063	0.1220
E	1.40	1.80	0.0551	0.0709
e	1.90 BSC		0.07480 BSC	
H	2.40	3.00	0.09449	0.11811
L	0.35BSC		0.0138BSC	
q1	0°	10°	0°	10°
S ₁	0.95BSC		0.0374BSC	

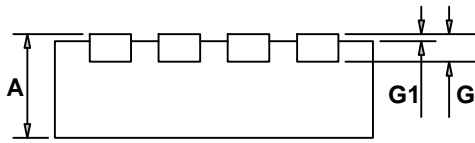


■ Package Dimension

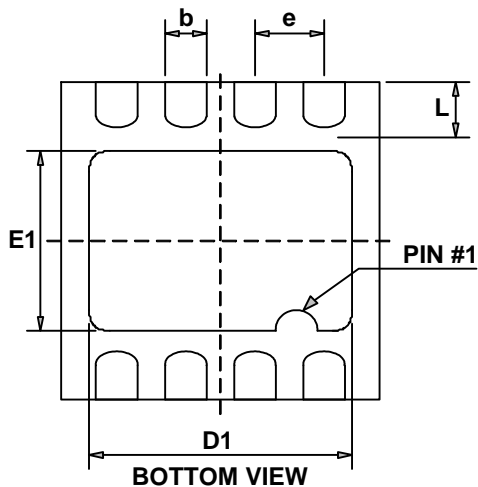
DFN-8 (3mmx3mmx0.75mm)



TOP VIEW



REAR VIEW



BOTTOM VIEW

SYMBOLS	MILLIMETERS		INCHES	
	MIN	MAX	MIN	MAX
A	0.700	0.800	0.028	0.031
D	2.900	3.100	0.114	0.122
E	2.900	3.100	0.114	0.122
e	0.600	0.700	0.024	0.028
D1	2.200	2.400	0.087	0.094
E1	1.400	1.600	0.055	0.063
b	0.200	0.320	0.008	0.013
L	0.375	0.575	0.015	0.023
G	0.153	0.253	0.0060	0.010
G1	0.000	0.050	0.0000	0.002



www.ame.com.tw
E-Mail: sales@ame.com.tw

Life Support Policy:

These products of AME, Inc. are not authorized for use as critical components in life-support devices or systems, without the express written approval of the president of AME, Inc.

AME, Inc. reserves the right to make changes in the circuitry and specifications of its devices and advises its customers to obtain the latest version of relevant information.

© AME, Inc. , August 2007

Document: 2095-DS8850-B.01

Corporate Headquarter
AME, Inc.

2F, 302 Rui-Guang Road, Nei-Hu District
Taipei 114, Taiwan, R.O.C.
Tel : 886 2 2627-8687
Fax: 886 2 2659-2989

U.S.A. (Subsidiary)
Analog Microelectronics, Inc.

3100 De La Cruz Blvd., Suite 201
Santa Clara, CA. 95054-2438
Tel : (408) 988-2388
Fax: (408) 988-2489