

1.0 Description

AMI Semiconductor's AMIS-720442-A (PI3042A) contact image sensor (CIS) is a 400 dots per inch (dpi) linear array image sensor chip. The sensor chip is processed using a CMOS image sensing technology, belonging to AMIS. Designed for cascading multiple chips in a series, the image sensor chips, using chip-on-board process, are bonded end-to-end on a printed circuit board (PCB). This bonding process allows the manufacturers to produce variable CIS module lengths in increments of chip array lengths. This allows a wide variety of image reading widths which are easily applied to the numerous document scanners found in facsimile, as well as the narrow width scanners, such as, those found in check reader, lotto tickets, entrance gates tickets, etc. Included in this list of scanners are various types of automated office equipment which require a wide variety of scanning widths.

Figure 1 is a block diagram of the imaging sensor chip. Each sensor chip consists of 128 detector elements, their associated multiplexing switches, buffers and a chip selector. The detector's element-to-element spacing is approximately 62.5µm. The size of each chip without scribe lines is 8080µm by 385µm. Each sensor chip has seven bonding pads. The pad symbols and functions are described in Table 1.

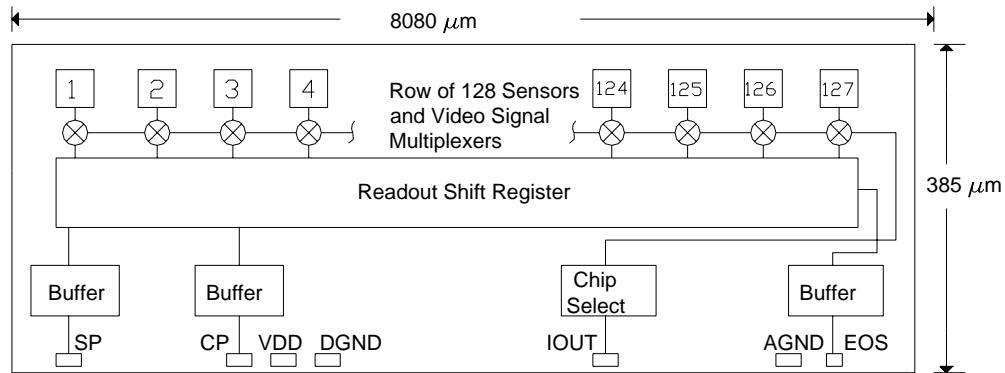


Figure 1: AMIS-720442-A Block Diagram

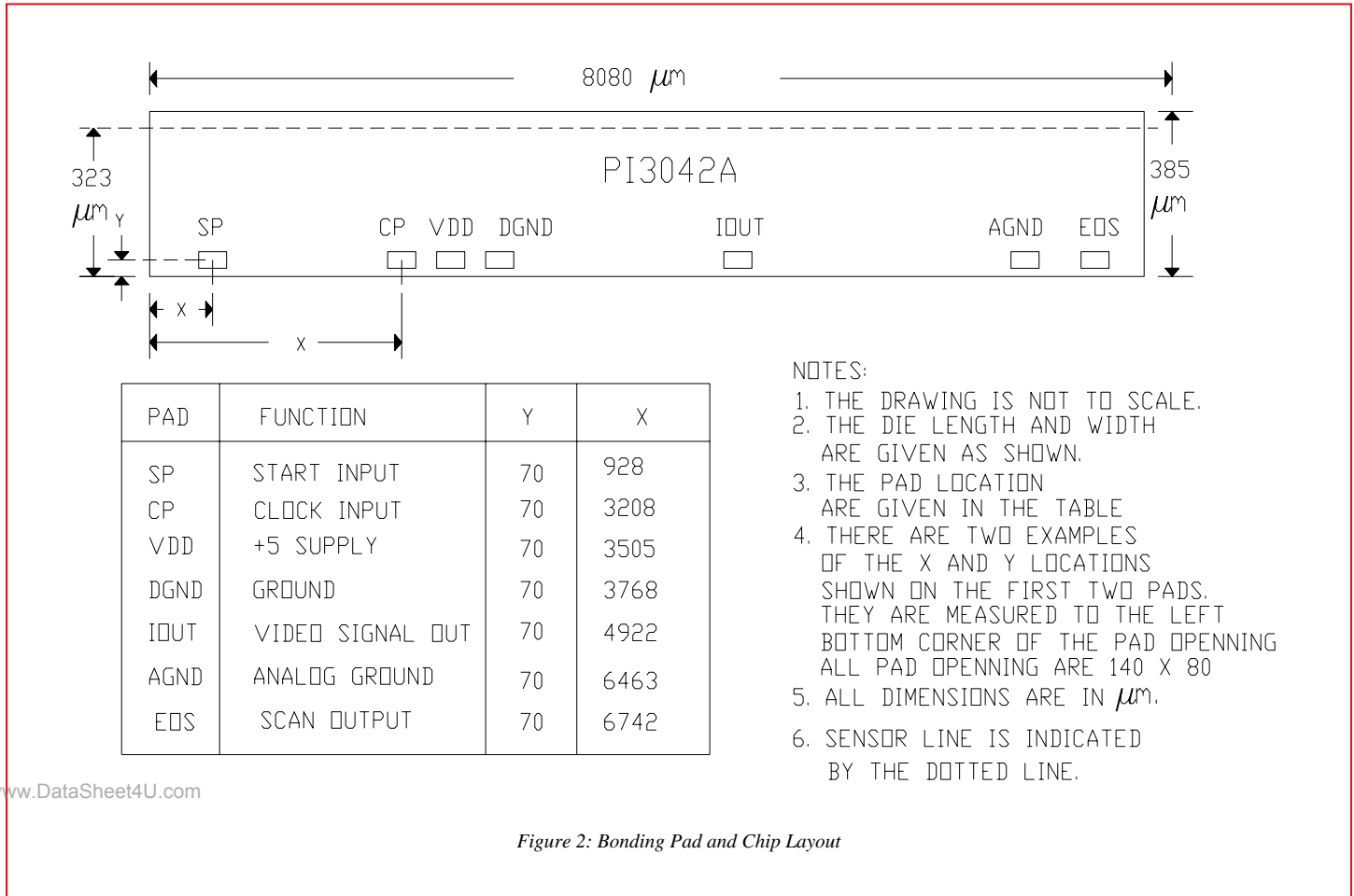
www.DataSheet4U.com

Table 1: Pad Symbols and Functions

Symbol	Function
SP	Start pulse: input clock to start the line scan
CP	Clock pulse: input clock to clock of the shift register
VDD	Positive supply: +5V supply connected to substrate
DGND	Digital ground: connection topside common
IOUT	Signal current output: output for video signal current
AGND	Analog ground: connection topside common
EOS	End-of-scan pulse: output from the shift register at end-of-scan

2.0 Bonding Pad Output Locations and Die Dimensions

Figure 2 shows the die dimensions of the image sensor and the bonding pad locations for the AMIS-720442-A sensor chip. The location is referenced to the lower left corner of the die.

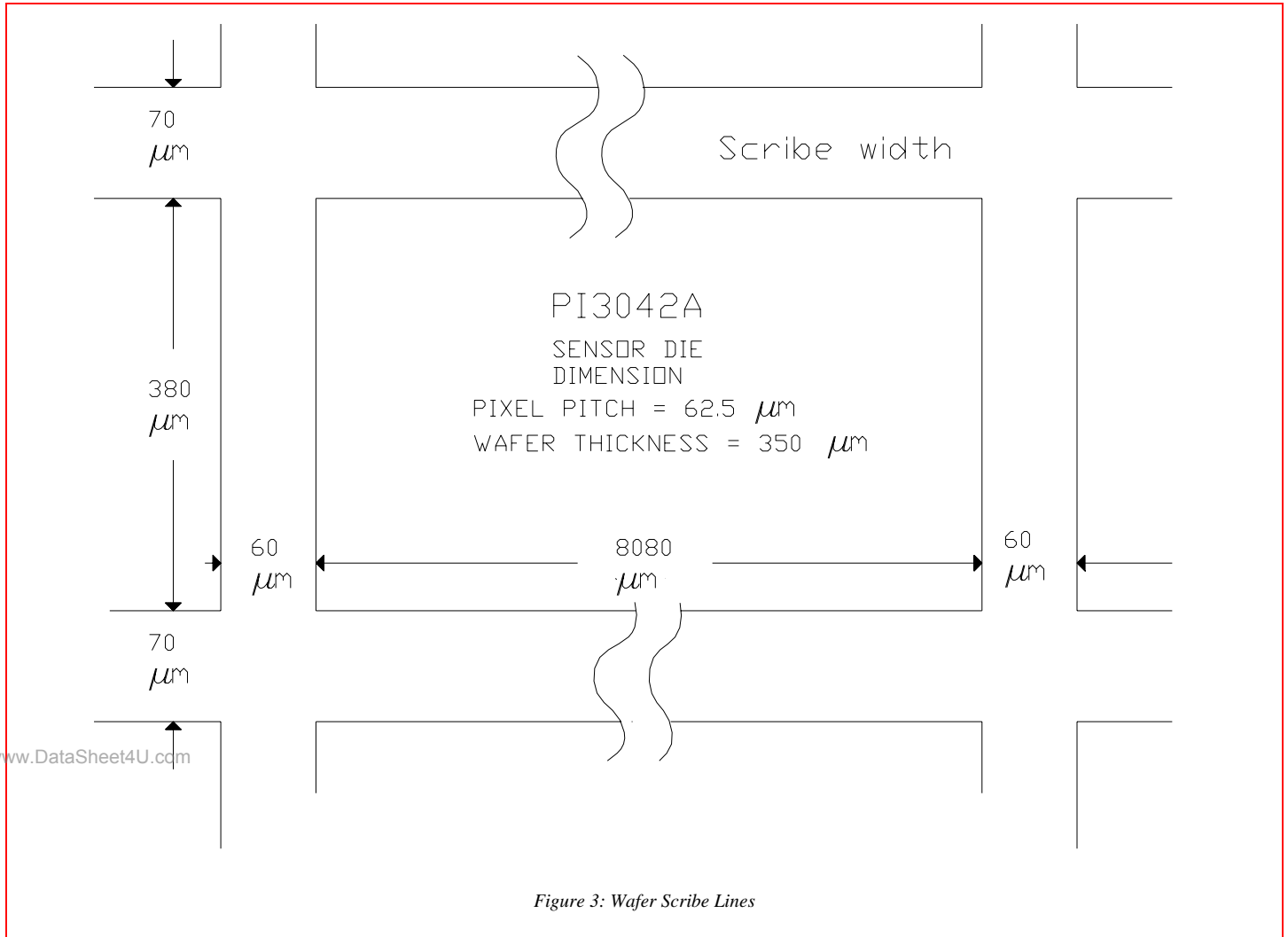


www.DataSheet4U.com

Figure 2: Bonding Pad and Chip Layout

3.0 Wafer Scribe Lines Bordering the Die

Figure 3 shows the wafer scribe lines bordering the AMIS-720442-A sensor chip. The wafer thickness is 350μm.



4.0 Output Circuit of the Image Sensor

The video signal from each photo-site is connected to a common video line on the sensor. Each photo-site is composed of a phototransistor with a series MOS switch connecting its emitter to a common video line. The video line is connected to the pad labeled IOU_T. The photo-sites are read out upon the closure of the MOS switch, which is sequentially switched on and off by its internal scanning shift register. See Figure 1. For the clock and timing operation image sensor see Figure 11. The photo-sensing element is the base of the phototransistor where it detects and converts the light energy to proportional charges and stores them in its base and collector capacitance. When the MOS switch is activated, the emitter is connected to the video line and acts as the source follower, producing an impulse current proportional to the stored charges in the base. This current is a discrete-time analog signal output called the video pixel. The charges in the video pixel are proportional to the light energy impinging in the neighborhood of its photo-sites. Figure 4 shows an output structure of four photo-sites out of 128. The multiplexing MOS switch in each photo-site terminates into the output pad, IOU_T, through a common video line. As the shift register sequentially accesses each photo-site the charges of the video pixel are sent to the IOU_T where they are processed with an external signal conversion circuit (see Section 5.0).

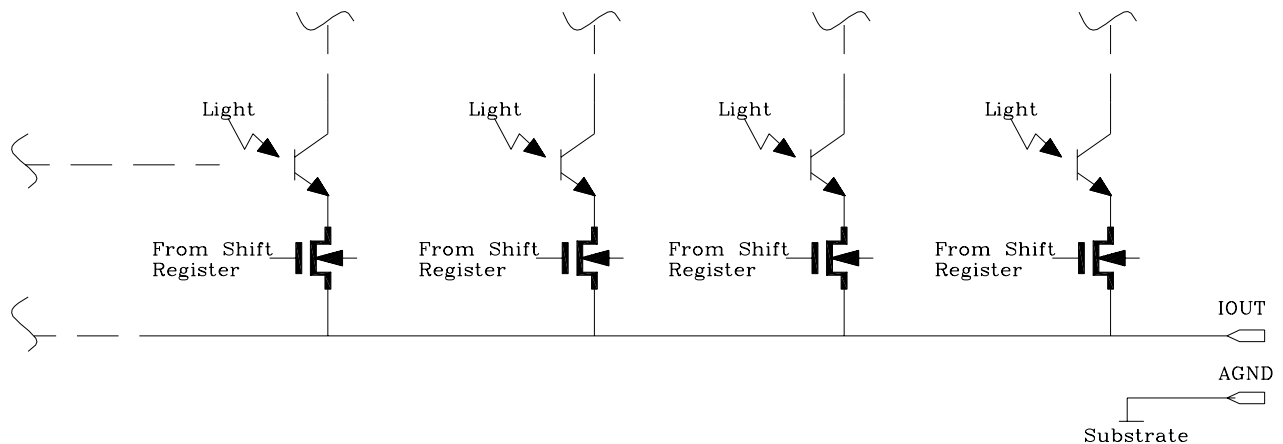


Figure 4: Video Pixel Output Structures

www.DataSheet4U.com

5.0 Signal Conversion Circuit

Figure 5 is an example of the charge conversion that is used in the CIS modules. It is usually bonded on the same PCB on which the image sensors are bonded. In applications where cost is an important factor, this simple circuit provides the cleanest technique in processing the video output. It integrates all the currents from each pixel element onto a capacitor, CAP. It also sums the energy of the switch edge along with the signal current pulses, minimizing the switching patterns on the video pixels. The summed charges stored on the CAP produce a pixel voltage. This voltage amplitude is proportional to the charge from the current pulse and the value of the CAP.

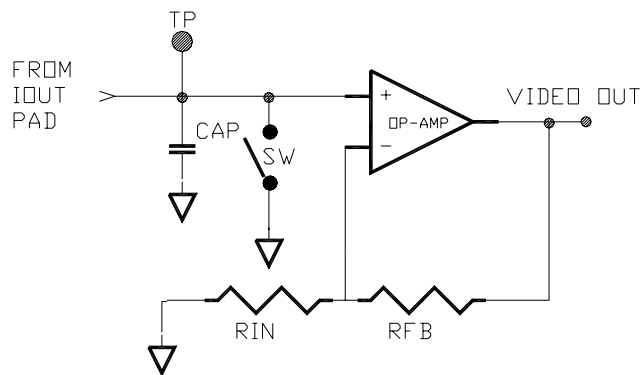


Figure 5: Video Output Test and Application Circuit

Since switching energies are components with high frequencies, they tend to integrate to a 0 value and the remainder adds a constant value to off-set the dark level. After the pixel is integrated, the CAP is reset to 0V by activating the shunt switch (SW), that connects the video line to ground prior to accessing the following pixel element. Figure 6, which depicts a typical pixel voltage waveform, shows that the shunt time is controlled with CP. SW activation and the reset to the dark reference level of the pixel element storage occur simultaneously, initializing the pixel for its integration process cycle. The signal pixels $V_p(n)$ is referenced to its dark level as it is seen in Figure 6.

www.DataSheet4U.com

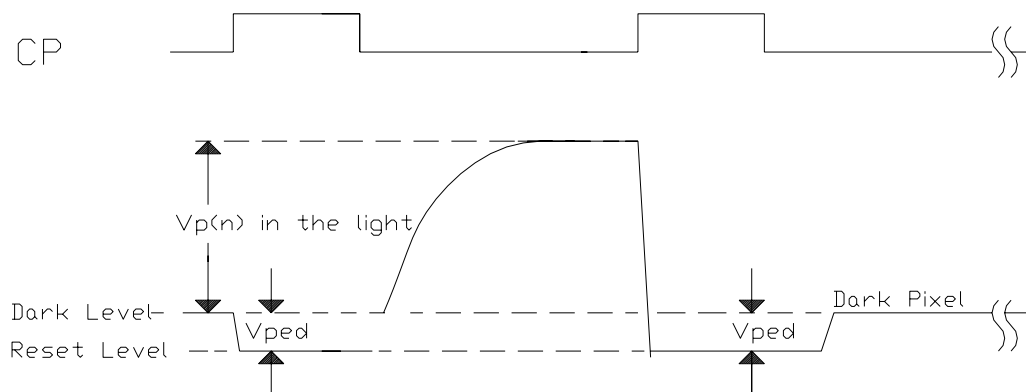


Figure 6: Single Pixel Video Output

6.0 Two Test Setups for Specifications and Performance

6.1 First Setup

The standard specifications are the image sensor tests that are performed on the wafer probe machine where each device on the wafer is tested in production. However, the data in these measurements are measured with a clock frequency at a fixed 500kHz. Since the pixel rate is equal to the clock rate, the pixel rate is also at 500kHz. The specification under Section 7.0 is the wafer probe specifications, Table 2.

6.2 Second Setup

The CIS modules made with these devices operate in excess of 5.0MHz. Accordingly the wafer probe specifications are supplemented with high frequency clocking performance using an A6 length modules PCB board.

7.0 Electro-Optical Characteristics (25°C)

The electro-optical characteristics of the AMIS-720442-A imaging sensor chip are listed in Table 2. This is the wafer probe specification used to test each die at 25°C.

Table 2: Electro-Optical Characteristics

Parameters	Symbols	Typical	Units	Notes
Number of photo-elements		128	Elements	
Pixel-to-pixel spacing		~62.5	μm	
Line scanning rate	Tint ⁽¹⁾	128/Fclk	μs/line	
Clock frequency	Fclk ⁽²⁾	500	kHz	See Note 2 for higher clock speed (maximum 5MHz)
Output voltage	Vpavg ⁽³⁾	1.8 ± 0.35	V	
Output voltage non-uniformity	Up ⁽⁴⁾	± 7.5	%	
Dark output voltage	Vd ⁽⁵⁾	<100	mV	
Dark output non-uniformity	Ud ⁽⁶⁾	<100	mV	
Adjacent pixel non-uniformity	Upadj ⁽⁷⁾	<7.5	%	
Chip-to-chip non-uniformity	Ucc ⁽⁸⁾	± 7.5	%	

- Notes:**
- (1) Tint stands for the line scanning rate or the integration time. It is determined by the time interval between two start pulses, where the start pulses start the line-scan process, as soon as, CP, module clock, acquires it and shifts it into the internal shift register. To calculate the minimum integration time in a scan it is number of pixels in the scan divided by the clock frequency. In a CIS module it is the number of sensors times the number of pixels in the sensor, all over the clock frequency. This time is especially set for the wafer probes in order to calibrate the Vpavg, see Note (3).
 - (2) Fclk is the device's clock, CP, frequency and it is, also, equal to the pixel rate. In the wafer test Fclk is set to 500kHz. However, AMIS has been successfully mass-producing high frequency CIS modules, using only the wafer test to qualify them. Hence, the device, which is tested on an A6 size module's PCB board at the standard high speed, meets specifications.
 - (3) $V_{pavg} = \sum V_p(n) / N_{pixels}$ (average level in one line scan).
Where $V_p(n)$ is the amplitude of n^{th} pixel in the sensor chip and N_{pixels} is the total number of pixels in sensor chip. V_{pavg} is converted from impulse current video pixel into a voltage output. See Figure 4, in Section 4.0 and Figure 5, in Section 5.0.
 V_{pavg} is calibrated for each image sensor type because of probe card variations, as well as, the interfacing circuits to the wafer probe machine.
 - (4) Up is the uniformity specification, measured under a uniform exposing light exposure. $Up = [V_p(max) - V_{pavg}] / V_{pavg} \times 100\%$ or $[V_{pavg} - V_p(min)] / V_{pavg} \times 100\%$, whichever is greater.
Where $V_p(max)$ is the maximum pixel output voltage in the light.
 $V_p(min)$ is the minimum pixel output voltage in the dark.
The pixel $V_p(n)$ is one n^{th} pixel in N_{pixels} in the sensor.
 - (5) $V_d = \sum V_p(n) / N_{pixels}$. Where $V_p(n)$ is the pixels signal amplitude of the n^{th} pixel of the sensor. Dark is where light is off, leaving the image surface unexposed.
 - (6) $U_d = V_{dmax} - V_{dmin}$.
 - (7) $Upadj = MAX[| (V_p(n) - V_p(n+1)) | / V_p(n)] \times 100\%$. Upadj is the non-uniformity in percentage. It is the amplitude difference between two neighboring pixels.
 - (8) Ucc is the uniformity specifications, measured among the good die on the wafer. Under uniform light exposure the sensors are measured and calculated with following algorithm: V_{pavg} of all the good dies on the wafer are averaged and assigned V_{Gpavg} . Then the die with maximum V_{pavg} is assigned $V_{pavg}(max)$, and the one with minimum V_{pavg} is assigned $V_{pavg}(min)$. Then $UCC = \{ [V_{pavg}(max) - V_{pavg}(min)] / V_{Gpavg} \} \times 100$.

8.0 Measuring the High Frequency Performance of the Devices

The AMIS-720442-A devices were tested on an A6 length standard CIS module's PCB. Thirteen sensors were bonded on the PCB board along with its support circuits, such as clock buffer circuits, the shunt switch, SW and its amplifier. The board's video line capacitance, input capacitance of SW and input capacitance of the amplifier become part of the CAP. The A6 PCB was selected because together with the shunt switch, SW, and with its amplifier input, the video line had a typical value of ~100pf, including its stray from its PCB copper traces. Another reason for this selection is that the AMIS-720442-A wafer probe tests of these devices are similarly setup using this method.

By removing RIN, the amplifier gain was set to one. Then with the total value of CAP at ~100pf the video pixels voltage amplitude gives a measure of the approximate pixel charge. Note that the amplifier is a 1:1 buffer amplifier that serves to isolate the video line from the measuring instruments. Further note that when the modules are produced, RIN is in the circuit as variable resistor. Then, in production of the CIS modules, the video output amplitude, V_{pavg} , can be adjusted to the module's specified level. This factory adjust is required because the exposure is fixed ($\text{Exposure} = \text{Light Power} \times \text{Time}$). For example, the module's light power is fixed and integration's time, tint, is fixed. Note that tint is fixed in accordance to requirements of the user or is specified for the factory adjustment procedure during production. In either case, the light exposure is fixed. Accordingly, to adjust the voltage amplitude to the specified level, RIN is used.

Since the sensor response varies as a function of color, the AMIS-720442-A is measured with a Yellow-Green LED light source, as well as the Red (660nm) LED light source. The light sources were selected because historically, these LED light bars were used in the CIS industry and accepted in the low-cost CIS markets. Today, the users are turning towards the light guides or light pipes as the costs have been reduced and the technology of the image sensor continually improves. Yet, in low-cost applications and especially in mid-size volume production, the light bars and the older image sensors persistently continues to be in demand by the scanning industry.

The high frequency performance specifications are graphical curves showing the video output, V_{pavg} , response to its applied light exposure. Although four exposure response graphs serve as good design reference for the designer who has prior knowledge of the image power that will be exposing image sensors, this is not always the case, for example, in designing and producing a CIS module. So to this end, the A6 PCB board, used to characterize the light exposure to video response specification, is enclosed in its A6 module housing and measured for its standard CIS parameters. These modules were fabricated exactly as their production counter-part except that the gain of the amplifier is set one. The measurements were conducted with two different LED bars, one Yellow-Green and the other Red.

9.0 Video Output Response under Exposure

The four video signal output as a function of light exposure are given in Graphs A, B, C, and D. The measurements are conducted in black box that enclosed the light source, the PCB and the instrument to measure the light power. The LED source mounted at the top radiated its light energy directly on the image sensor of the A6 PCB that was lying flat at the bottom of box. The video output was measured at the amplifier output of the A6 PCB. The PCB setup condition is described Section 8.0. Note that the gain of the amplifier is set to one. Also the clock duty cycle is set to 25 percent for the 2.0MHz clock frequency and set to 50 percent for the 5.0MHz.

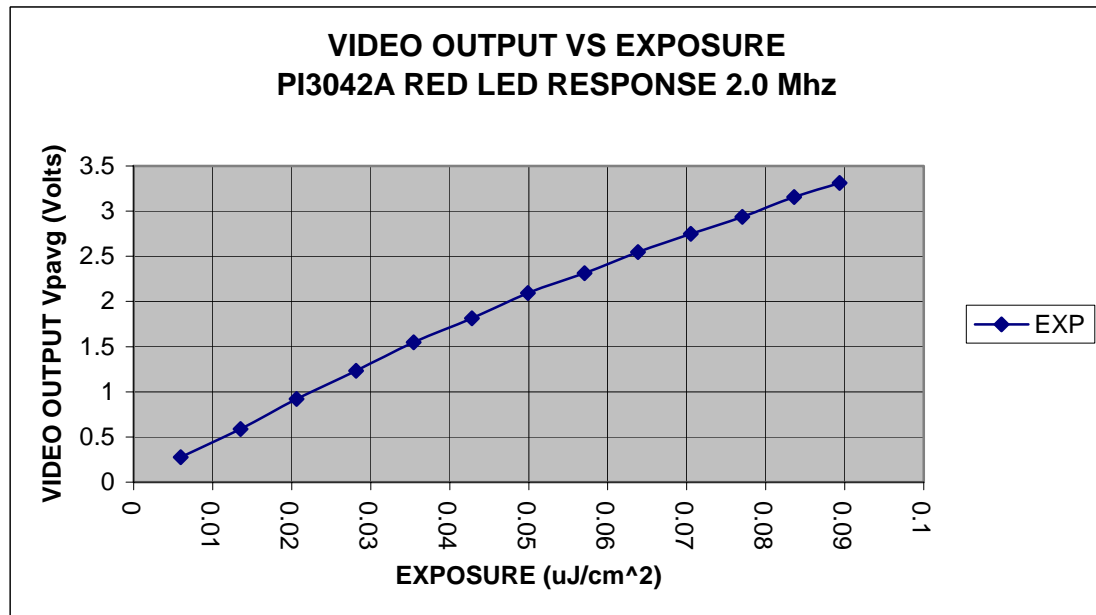


Figure 7: A Typical Video Output as a Function of Light Exposure

www.DataSheet4U.com

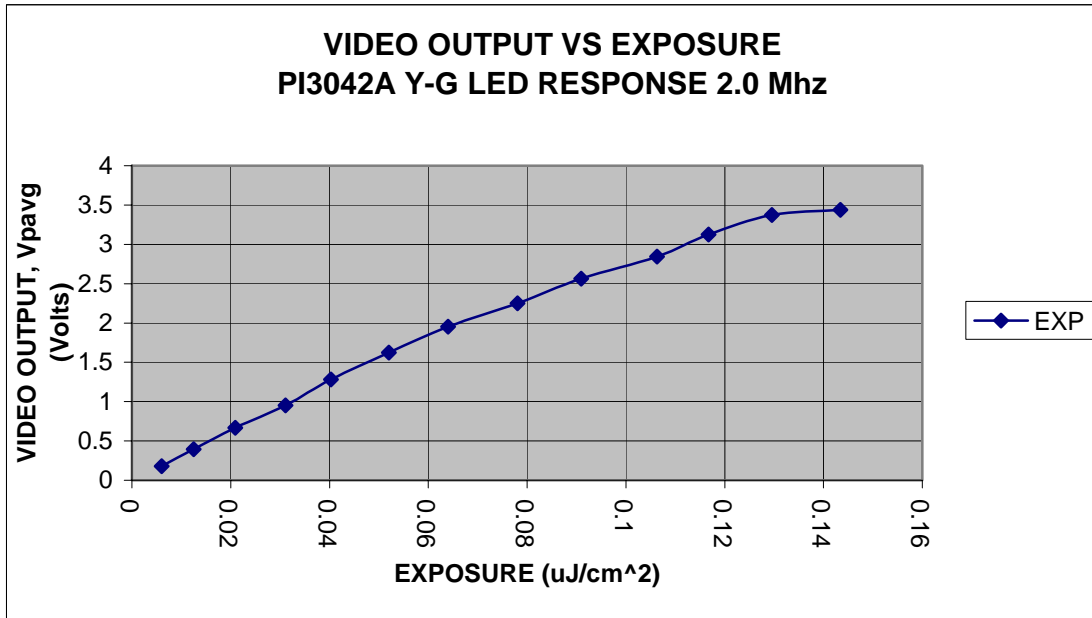


Figure 8: Graph B. A Typical Video Output a as Function of Light Exposure

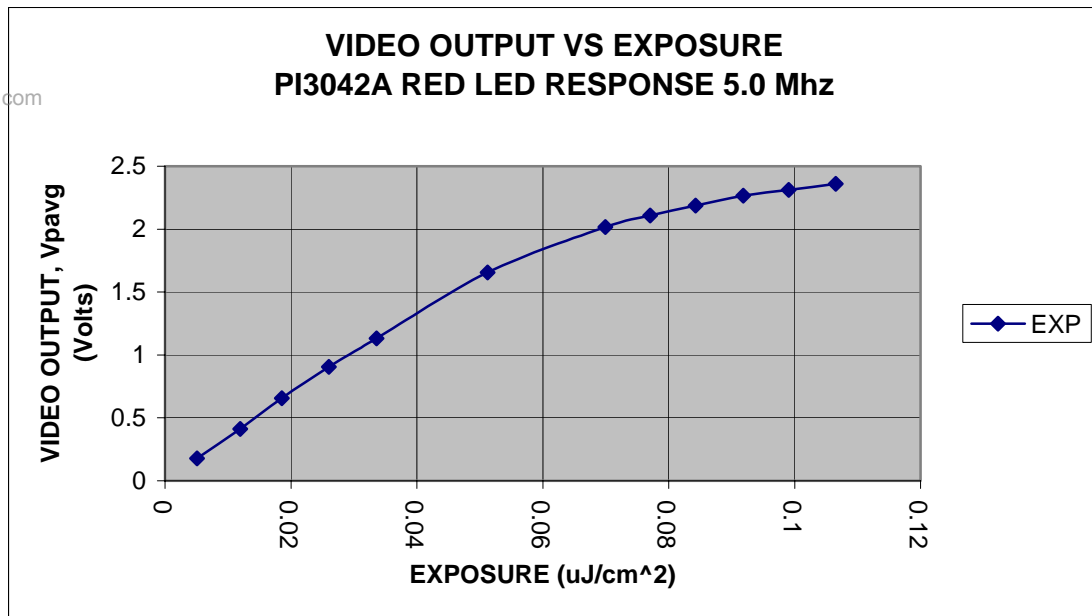


Figure 9: Graph C. A Typical Video Output a as Function of Light Exposure

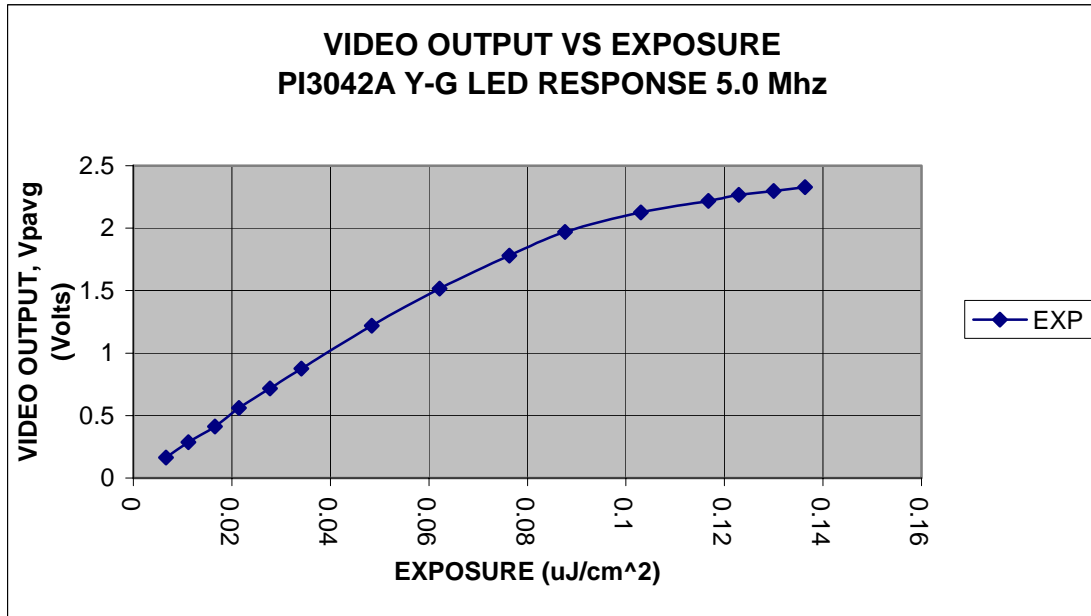


Figure 10: Graph D. A Typical Video Output as a Function of Light Exposure

10.0 A6 Module with AMIS-720442-A High Frequency Specifications

Table 3: Electro-Optical Characteristics at High Frequency

Red 660 LED Bar, A6 PCB in A6 Module Housing, at 2.0MHz Clock

Parameters	Symbols	Typical	Units	Remarks
Line scanning rate	Tint ⁽¹⁾	835	μs/line	13 die in the scan, see Note 1 (bottom of Table 6)
Clock frequency	Fclk ⁽²⁾	2	MHz	
Output voltage	Vpavg ⁽³⁾	1.0	V	Amplifier gain = 1.0, see Note 3
Output voltage non-uniformity	Up ⁽⁴⁾	± 20	%	LED bar non-uniformity, see Note 4
Dark output voltage	Vd ⁽⁵⁾	<15	mV	
Dark output non-uniformity	Ud ⁽⁶⁾	<15	mV	
Adjacent pixel non-uniformity	Upadj ⁽⁷⁾	<20	%	
LED bar input voltage	VLED ⁽⁸⁾	5.0	V	LED power varies greatly, see Note 8
LED bar input current	ILED ⁽⁸⁾	90	mA	LED Power varies greatly, see Note 8

Table 4: Electro-Optical Characteristics at High Frequency

Red 660 LED Bar, A6 PCB in A6 Module Housing, at 5.0MHz Clock				
Parameters	Symbols	Typical	Units	Remarks
Line scanning rate	Tint ⁽¹⁾	334	μs/line	13 die in the scan, see Note 1 (bottom of Table 6)
Clock frequency	Fclk ⁽²⁾	5	MHz	
Output voltage	Vpavg ⁽³⁾	0.5	V	Amplifier gain = 1.0, see Note 3
Output voltage non-uniformity	Up ⁽⁴⁾	± 20	%	LED bar non-uniformity, see Note 4
Dark output voltage	Vd ⁽⁵⁾	<180	mV	
Dark output non-uniformity	Ud ⁽⁶⁾	<80	mV	
Adjacent pixel non-uniformity	Upadj ⁽⁷⁾	<20	%	
LED bar input voltage	VLED ⁽⁸⁾	5.0	V	LED power varies greatly, see Note 8
LED bar Input current	ILED ⁽⁸⁾	90	mA	LED power varies greatly, see Note 8

Table 5: Electro-Optical Characteristics at High Frequency

Y-G LED Bar, A6 PCB in A6 Module Housing, at 2.0MHz Clock				
Parameters	Symbols	Typical	Units	Remarks
Line scanning rate	Tint ⁽¹⁾	835	μs/line	13 die in the scan, see Note 1 (bottom of Table 6)
Clock frequency	Fclk ⁽²⁾	2	MHz	
Output voltage	Vpavg ⁽³⁾	0.4	V	Amplifier gain = 1.0, see Note 3
Output voltage non-uniformity	Up ⁽⁴⁾	± 20	%	LED bar non-uniformity, see Note 4
Dark output voltage	Vd ⁽⁵⁾	<15	mV	
Dark output non-uniformity	Ud ⁽⁶⁾	<15	mV	
Adjacent pixel non-uniformity	Upadj ⁽⁷⁾	<20	%	
LED bar input voltage	VLED ⁽⁸⁾	5.0	V	LED power varies greatly, see Note 8
LED bar input current	ILED ⁽⁸⁾	380	mA	LED power varies greatly, see Note 8

Table 6: Electro-Optical Characteristics at High Frequency

Y-G LED Bar, A6 PCB in A6 Module Housing, at 5.0MHz Clock				
Parameters	Symbols	Typical	Units	Remarks
Line scanning rate	Tint ⁽¹⁾	334	μs/line	13 die in the scan, see Note 1 (bottom of Table 6)
Clock frequency	Fclk ⁽²⁾	5	MHz	
Output voltage	Vpavg ⁽³⁾	0.2	V	Amplifier gain = 1.0, see Note 3
Output voltage non-uniformity	Up ⁽⁴⁾	± 25	%	LED bar non-uniformity, see Note 4
Dark output voltage	Vd ⁽⁵⁾	<160	mV	
Dark output non-uniformity	Ud ⁽⁶⁾	<60	mV	
Adjacent pixel non-uniformity	Upadj ⁽⁷⁾	<20	%	
LED bar input voltage	VLED ⁽⁸⁾	5.0	V	LED power varies greatly, see Note 8
LED bar input current	ILED ⁽⁸⁾	380	mA	LED power varies greatly, see Note 8

- Notes:**
- Note 1 under Table 2, is a valid definition, except that in the A6 modules has 13 sensors sequentially cascaded, hence, Tint = (13X128)/Fclk for the minimum integration time.
 - Fclk is the module's clock, CP, frequency and is equal to the pixel rate. Also, the clock duty cycle is set to 25 percent for the 2.0MHz clock frequency and set to 50 percent for the 5.0MHz.
 - $Vpavg = \sum Vp(n)/Npixels$ (average level in one line scan).
Where $Vp(n)$ is the amplitude of n^{th} pixel in one line scan of the modules. Npixels is the total number of pixels in the module, i.e., 13 die x 128 pixels. The amplitude of Vpavg is adjusted with RIN (which installed in the production module) on all of CIS modules because of variations caused by the LED light sources. The low-cost production LED's light power are known to vary as much as ± 30%.
 - Up is the uniformity specification, measured under a uniform exposing light exposure. $Up = [Vp(max) - Vpavg] / Vpavg \times 100\%$ or $[Vpavg - Vp(min)] / Vpavg \times 100\%$, whichever is greater.
Where $Vp(max)$ is the maximum pixel output voltage in the light.
 $Vp(min)$ is the minimum pixel output voltage in the dark.
The pixel $Vp(n)$ is one n^{th} pixel in Npixels in the sensor.
In applying the Up definition, Npixels must change. It must include 13 sensors, or 13x128 pixels.
Additionally, because the low-cost LED power variation can be high as ± 30%, the non-uniformities may varies as much as ± 30%. Hence the uniformities are worst because of the LED bar CIS modules.
 - $Vd = \sum Vp(n)/Npixels$. Where $Vp(n)$ is the pixels signal amplitude of the n^{th} pixel of the sensor. Dark is where light is off, leaving the image surface unexposed.
 - $Ud = Vdmax - Vdmin$.
 - $Upadj = MAX[|Vp(n) - Vp(n+1)| / Vp(n)] \times 100\%$. Upadj is the non-uniformity in percentage. It is the amplitude difference between two neighboring pixels.
 - The low-cost LED light powers are widely specified, worst case as high as ± 30%, hence, the requirement for the Vpavg gain control and the wide Up specifications.

11.0 Sensor's Operational Specifications

11.1 Absolute Maximum Ratings

Table 7: Absolute Maximum Ratings

Parameters	Symbol	Maximum Rating	Units
Power supply voltage	VDD	10	V
Power supply current	IDD	<2.0	ma
Input clock pulse (high level)	Vih	Vdd + 0.5	V
Input clock pulse (low level)	Vil	-0.25	V
Operating temperature	Top	0 to 50	°C
Operating humidity	Hop	10 to 85	RH %
Storage temperature	Tstg	-25 to 75	°C
Storage humidity	Hstg	10 to 90	RH %

11.2 Recommended Operating Conditions at Room Temperature

Table 8: Recommended Operating Conditions at Room Temperature

Parameters	Symbol	Min.	Typ.	Max.	Units
Power supply	VDD	4.5	5.0	5.5	V
Input clock pulse high level	Vih ⁽¹⁾	3.0	5.0	VDD	V
Input clock pulse low level	Vil ⁽¹⁾	0	0	0.8	V
Operating high level exposed output	IOUT ⁽²⁾		See Note 2		
Clock frequency	Fclk ⁽³⁾	0.1	2.0	5.0	MHz
Clock pulse duty cycle	Duty ⁽⁴⁾		25		%
Clock pulse high durations	tw		0.125		µsec
Integration time	Tint		0.864	10	ms
Operating temperature	Top		25	50	°C

- Notes:**
- (1) Applies to both CP and SP
 - (2) The output is a current that is proportional to the charges, which are integrated on the phototransistor's base via photon-to-electron conversion. For its conversion to voltage pixels see Figure 4, in Section 4.0.
 - (3) Although the clock frequency, Fclk, will operate the device at less than 100kHz, it is recommended that the device be operated above 500kHz to avoid complication of leakage current build-up. In applications using long CIS module length, such as an array of image sensor > 27, increases the readout time, i.e., increases tint, hence, leakage current build-up occurs.
 - (4) The clock duty cycle typically is set to 25 percent. However, it can operate with duty cycle as large as 50 percent, which will allow more reset time at the expense of video pixel readout time. At clock frequencies approaching 5.0MHz it is recommended to use 50 percent duty cycle to allow more time for the signal pixel to integrate and settle.

www.DataSheet4U.com

12.0 Switching Characteristics at 25°C

The timing relationships of the video output voltage and its two input clocks the start pulse (SP) and the shift register clock, (CP), along with the shift register (EOS) output clock are shown in Figure 11. The switch timing specification for the symbols on the timing diagram is given in Table 9. The digital clocks' levels are +5V CMOS compatible. The video, IOU_T, is specified in Figure 4, in Section 4.0.

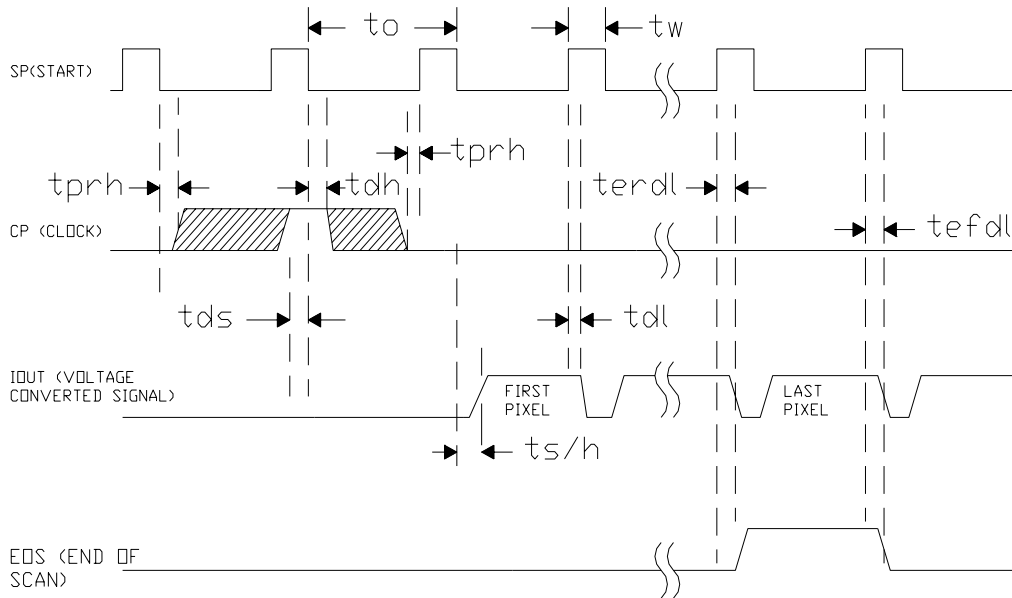


Figure 11: Timing Diagram of the AMIS-720442-A Sensor

www.DataSheet4U.com

Table 9: Timing Symbol's Definition

Item	Symbol	Minimum	Mean	Maximum	Units
Clock cycle time	to	200		10000	ns
Clock pulse width ⁽¹⁾	tw	50			ns
Clock duty cycle		25	50	75	%
Data setup time	tds	20			ns
Data hold time	tdh	20			ns
Prohibit crossing time ⁽²⁾	tprh		20		ns
EOS rise delay	terdl		60		ns
EOS fall delay	tefdl		70		ns
Signal delay time ⁽³⁾	tdl		20		ns
Signal settling time ⁽³⁾	ts/h		120		ns

- Notes:**
- The clock pulse width, tw, varies with frequency, as well as the duty cycle.
 - Prohibit crossing time is to insure that no two SPs are locked into the shift register for any single scan time. Since the SP is entered into the shift register during its active high level when the CP clock edges falls, the active high of the SP is permitted only during one falling, CP, clock edges for any given scan. Otherwise, multiple SPs will load into the shift register.
 - Pixel delay times and settling times depend on the employment of the output amplifier. These values, tdl and ts/h, are measured with the amplifier (see Figure 12, using the AMIS-720442-A sensors). Note that the impulse signal current out of the device has pulse width ~ 30ns. Hence, the faster the amplifier with a faster settling time will yield a signal video pulse with faster rise and settle times.

13.0 Typical A6 CIS Module Circuit

A typical A6 CIS module circuit, using the AMIS-720442-A sensors, is shown in Figure 12. The circuit is provided as reference to illustrate the interconnection of the AMIS-720442-A for a serially cascaded line of image sensors. It is a typical A6 size CIS module produced by AMIS. It provides the first-time user with additional insight for designing a CIS module and supplements the circuit descriptions given in the Section, Signal Conversion Circuit.

The difference is in the arrangement of the two shunt switches, U3D and U3A. U3D is a counterpart to SW in Figure 5. A DC restoration capacitor, C20, with a value of 500pf, is added between the shunts switch. The first, U3D, clamps the video line to ground to reset the image sensors. Simultaneously, the second, U3A, clamps the node between C15 and the amplifier input to an output reference bias voltage that is on the node between R4 and R9. These resistors are voltage dividers that set the DC operating level of the amplifier's output by applying the same bias voltage to both inputs of the amplifier.

See Figure 12 for the typical A6 CIS module circuit.

www.DataSheet4U.com

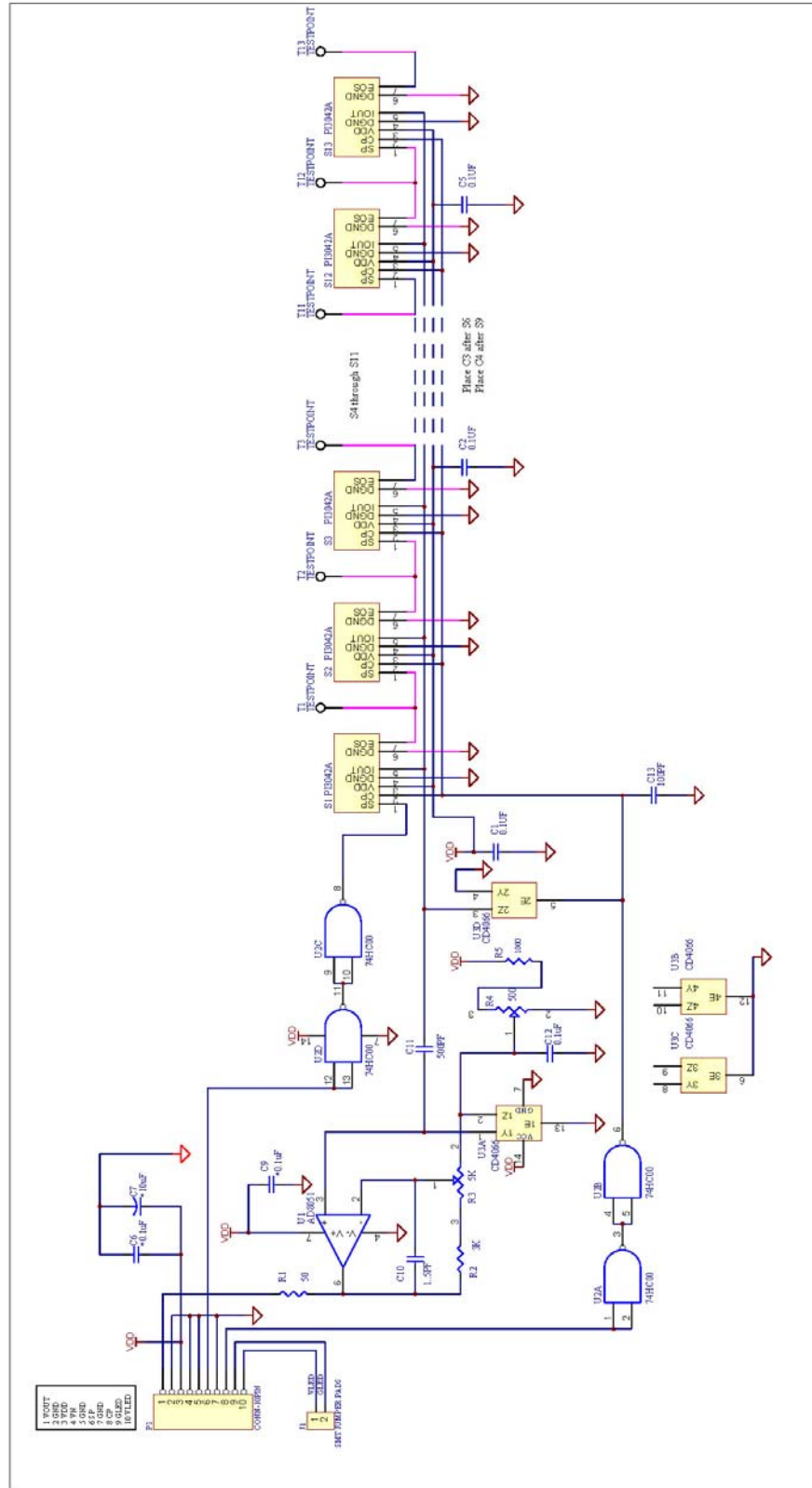


Figure 12: Typical A6 CIS Module Circuit

14.0 Company or Product Inquiries

For more information about AMI Semiconductor, our technology and our product, visit our Web site at: <http://www.amis.com>

North America

Tel: +1.208.233.4690
Fax: +1.208.234.6795

Europe

Tel: +32 (0) 55.33.22.11
Fax: +32 (0) 55.31.81.12

www.DataSheet4U.com

Production Technical Data - The information contained in this document applies to a product in production. AMI Semiconductor and its subsidiaries ("AMIS") have made every effort to ensure that the information is accurate and reliable. However, the characteristics and specifications of the product are subject to change without notice and the information is provided "AS IS" without warranty of any kind (express or implied). Customers are advised to obtain the latest version of relevant information to verify that data being relied on is the most current and complete. AMIS reserves the right to discontinue production and change specifications and prices at any time and without notice. Products sold by AMIS are covered by the warranty and patent indemnification provisions appearing in its Terms of Sale only. AMIS makes no other warranty, express or implied, and disclaims the warranties of noninfringement, merchantability, or fitness for a particular purpose. AMI Semiconductor's products are intended for use in ordinary commercial applications. These products are not designed, authorized, or warranted to be suitable for use in life-support systems or other critical applications where malfunction may cause personal injury. Inclusion of AMIS products in such applications is understood to be fully at the customer's risk. Applications requiring extended temperature range, operation in unusual environmental conditions, or high reliability, such as military or medical life-support, are specifically not recommended without additional processing by AMIS for such applications. Copyright © 2006 AMI Semiconductor, Inc.