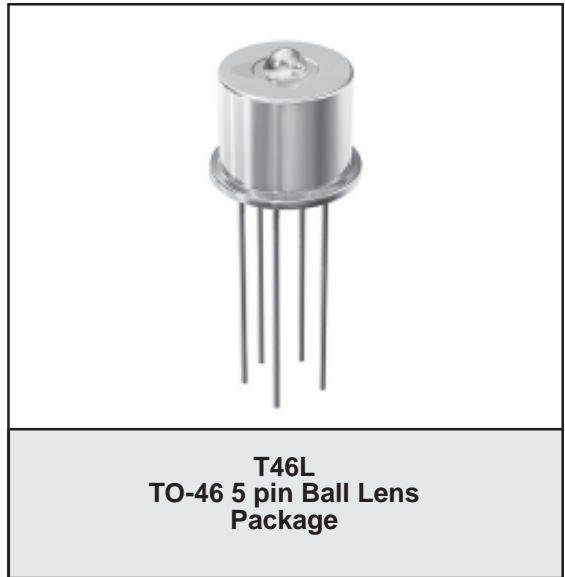


FEATURES

- 2.5 Gb/s Differential Output TIA
- 3.3 V Operation
- 1800 MHz Bandwidth
- -23 dBm Typical Sensitivity
- 0 dBm Optical Overload
- Photocurrent Monitor
- 100 μm 850 nm PIN Photodetector
- TO-46 5 Pin Lens Package

APPLICATIONS

- SONET OC-48/SDH STM-16 (2.488 Gb/s)
- 2 x Fibre Channel (2.125 Gb/s)
- 2.5 Gb/s Infiniband
- Fibre Channel/Gigabit Ethernet (1.0625/1.25 Gb/s)



PRODUCT DESCRIPTION

The ANADIGICS AMT8312, packaged in a 5 pin TO-46 lens can, is a 3.3 V integrated photodetector and transimpedance amplifier (TIA) used to convert a short wavelength (850 nm) input optical signal into a differential output voltage. The AMT8312 has a bandwidth of 1.8 GHz, a dynamic range of over

23 dB and a photocurrent monitor with an output that is proportional to the average input optical power. These devices are readily designed into receivers, transceivers and transponders for SONET, Fibre Channel and Infiniband applications.

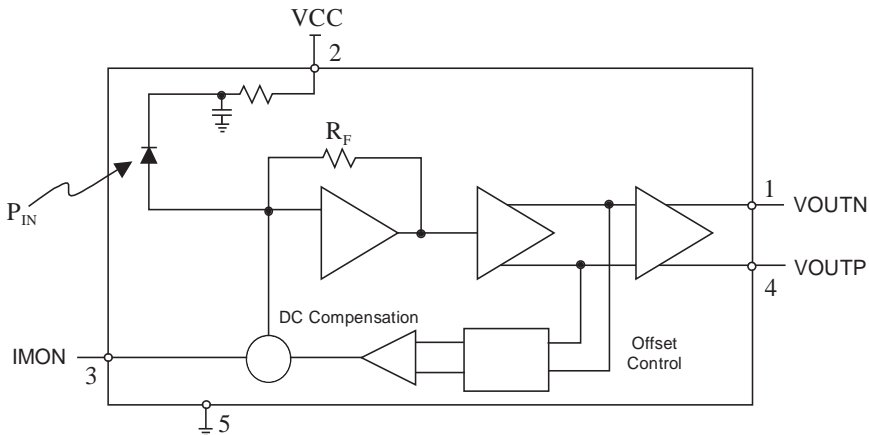


Figure 1: Functional Block Diagram

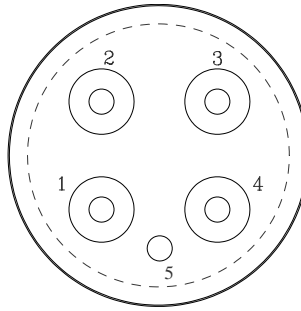


Figure 2 : T46L Pin Outline (Bottom View)

Table 1: TO-46 Package Pin Description

PIN	NAME	DESCRIPTION
1	VOUTN	Inverted Output Voltage. Logical '0' with an optical input. Needs to be AC coupled to the load.
2	VCC	Positive Supply Voltage: 3.0 to 3.6 V
3	IMON	Mirrored average photodiode current. The IMON pin is open drain and should be connected through a 2.0 kΩ resistor to 3.3 V.
4	VOUTP	Non-Inverted Output Voltage: Logical '1' with an optical input. Needs to be AC coupled to the load.
5	Ground	Ground: Case is grounded.

ELECTRICAL CHARACTERISTICS

Table 2: Absolute Maximum Ratings

PARAMETER	MIN	MAX	UNIT
Supply Voltage	-0.5	6.0	V
Optical Input Power	-	+ 4	dBm
Storage Temperature	- 40	+ 125	°C

Stresses in excess of the absolute ratings may cause permanent damage. Functional operation is not implied under these conditions. Exposure to absolute ratings for extended periods of time may adversely affect reliability.

Table 3: Electrical Specifications

PARAMETER	MIN	TYP	MAX	UNIT
Wavelength (λ)		850	-	nm
Detector Diameter	-	100	-	μm
Small Signal Differential Responsivity (@ 100 MHz) ⁽¹⁾	10000	14500	-	V/W
Bandwidth ⁽¹⁾	1500	1800	-	MHz
Low Frequency Cutoff	-	30	-	kHz
Output Resistance	-	50	-	Ω
Optical Overload ⁽²⁾	0		-	dBm
Optical Sensitivity ⁽²⁾	-21	-23	-	dBm
Maximum Differential Output Voltage	-	550	700	mV
T_{RISE} and T_{FALL} (20-80%) ⁽³⁾	-	140	-	ps
Duty Cycle Distortion ⁽⁴⁾	-	5	-	%
Total Jitter ^{(4), (5)}		60		ps
Supply Current	-	40	60	mA
Operating Voltage Range	+3.0	+3.3	+3.6	Volts
Operating Case Temperature	-30	-	+105	$^{\circ}\text{C}$

Notes:

- (1) Measured at -20 dBm optical input power with output connected into $R_L = 100\Omega$ (differential)
(2) Measured at 10^{-10} BER with a $2^{23}-1$ PRBS at 2.5 Gb/s
(3) Measured with a $2^{23}-1$ PRBS at 2.5 Gb/s, an input optical power of -20 dBm and $R_L = 100\Omega$ (differential)
(4) Measured with a $2^{23}-1$ PRBS at 2.5 Gb/s, an input optical power of -3 dBm and $R_L = 100\Omega$ (differential)
(5) 6σ about the center eye crossing.

PERFORMANCE DATA

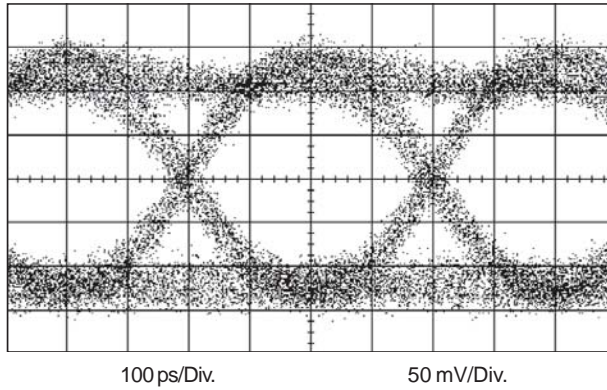


Figure 3: Eye Diagram with an Optical Input Power of -20 dBm

www.DataSheet4U.com

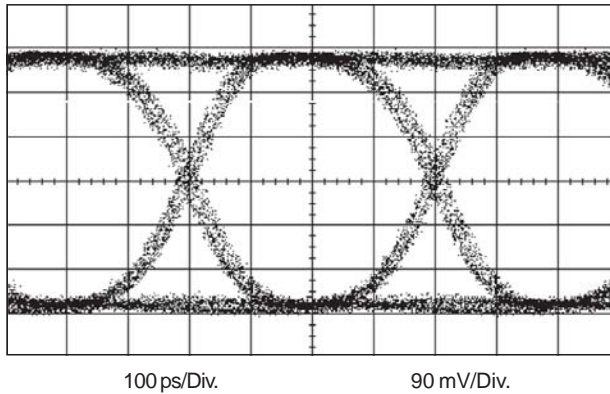


Figure 4: Eye Diagram with an Optical Input Power of -15 dBm

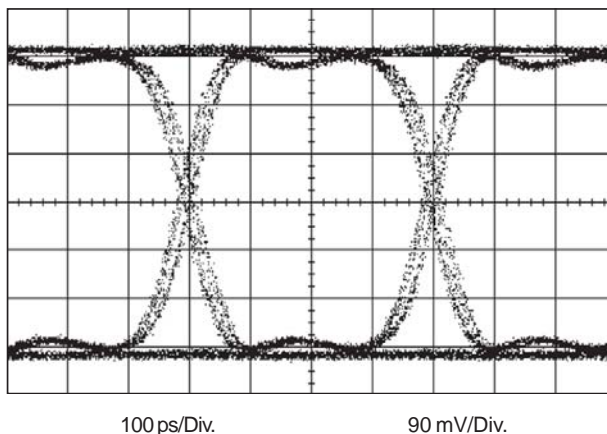


Figure 5: Eye Diagram with an Optical Input Power of -10 dBm

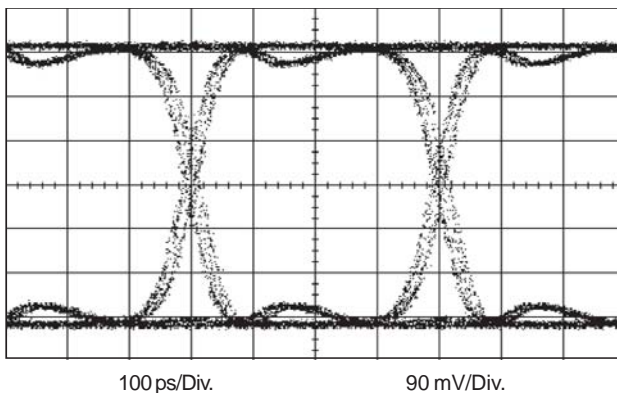


Figure 6: Eye Diagram with an Optical Input Power of -5 dBm

www.DataSheet4U.com

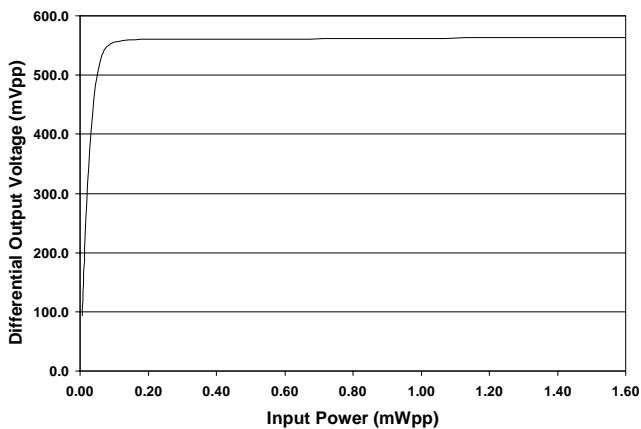
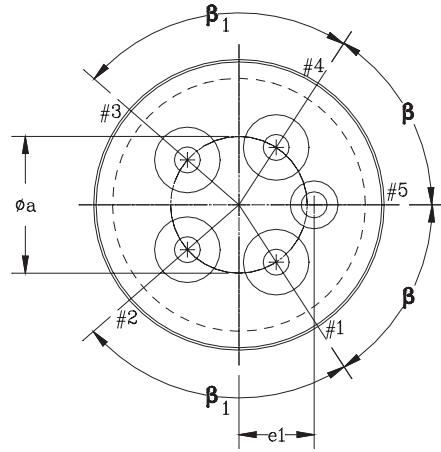
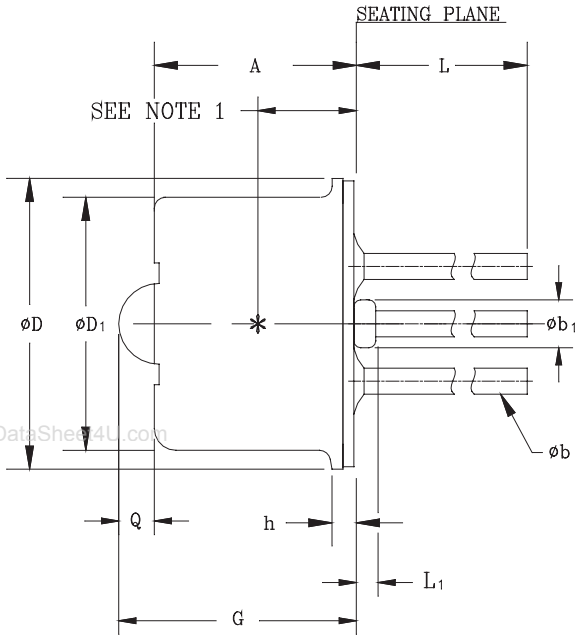


Figure 7: Differential Output Voltage vs. Input Power



BOTTOM VIEW

MM CONTROLLING DIMENSIONS

S _M B _{OL}	MILLIMETERS		INCHES		NOTE
	MIN.	MAX.	MIN.	MAX.	
ϕa	2.54 T.P.		0.100 T.P.		-
A	3.55	4.00	0.140	0.157	-
ϕb	0.40	0.50	0.016	0.020	-
ϕb_1	-	1.20	-	0.047	-
ϕD	5.38	5.54	0.212	0.218	-
ϕD_1	4.60	4.75	0.181	0.187	-
e1	1.40 T.P.		0.055 T.P.		-
G	4.10	4.75	0.161	0.187	-
h	0.35	0.56	0.014	0.022	-
L	12.50	14.50	0.490	0.570	-
L ₁	-	0.40	-	0.016	-
Q	0.55	0.75	0.022	0.030	-
β	57° NOMINAL		57D NOMINAL		-
β_1	82° NOMINAL		82° NOMINAL		-

NOTES:

- INTERNAL OPTICAL HEIGHT = $1.27 \pm 0.08 \text{mm}$ [$0.050 \pm 0.003 \text{in.}$]
- DETECTOR DIODE PLACEMENT ACCURACY: $\pm 0.15 \text{mm}$ [$\pm 0.006 \text{in.}$] WITH RESPECT TO CENTER OF HEADER.
- BENT LEADS SHOULD NOT EXTEND OUTSIDE DIAMETER (ϕD) OF CAP OR TOUCH EACH OTHER.

Figure 8: T46L Package Outline Diagram

NOTES

www.DataSheet4U.com

ORDERING INFORMATION

ORDER NUMBER	PACKAGE OPTION	PACKAGE DESCRIPTION
AMT8312T46L	TO-46L	Lens Package

www.DataSheet4U.com

**ANADIGICS, Inc.**

141 Mount Bethel Road
Warren, New Jersey 07059, U.S.A.

Tel: +1 (908) 668-5000

Fax: +1 (908) 668-5132

URL: <http://www.anadigics.com>

E-mail: Mktg@anadigics.com

IMPORTANT NOTICE

ANADIGICS, Inc. reserves the right to make changes to its products or to discontinue any product at any time without notice. The product specifications contained in Advanced Product Information sheets and Preliminary Data Sheets are subject to change prior to a product's formal introduction. Information in Data Sheets have been carefully checked and are assumed to be reliable; however, ANADIGICS assumes no responsibilities for inaccuracies. ANADIGICS strongly urges customers to verify that the information they are using is current before placing orders.

WARNING

ANADIGICS products are not intended for use in life support appliances, devices or systems. Use of an ANADIGICS product in any such application without written consent is prohibited.

www.DataSheet4U.com