
A CAN Bootloader for PIC18F CAN Microcontrollers

*Author: Ross M. Fosler
Microchip Technology Inc.*

INTRODUCTION

Among the many features built into Microchip's Enhanced FLASH Microcontroller devices is the capability of the program memory to self-program. This very useful feature has been deliberately included to give the user the ability to perform bootloading operations. Devices like the PIC18F458 are designed with a designated "boot block", a small section of protectable program memory allocated specifically for bootload firmware.

This application note demonstrates a simple bootloader implementation for the PIC18F families of microcontrollers with a CAN module. The goals of this implementation are to stress maximum performance and functionality, while requiring a minimum of code space. For users developing CAN enabled systems, it provides a low level framework that can be used with higher level network protocols to develop more complex and custom-tailored systems.

CONSIDERATIONS FOR FIELD PROGRAMMING OVER THE CAN BUS

The combination of FLASH technology and robust network communication capability in a single device makes over-the-network programmability a very desirable option. However, this makes bootloading on a CAN bus network a very different challenge from more typical uses, such as using a bootloader to program a single FLASH device in isolation. Let's consider some of the key issues in over-the-network programming.

Single or Group Programming

Providing bootloading capability over a CAN bus network takes some forethought. For example, a system with a number of nodes may have identical firmware in several nodes. Since every node on a CAN bus can see all passing data, it may be more efficient to program these identical nodes in a single pass.

However, in other cases where a node or many nodes are unique, it may only be necessary to open peer-to-peer communications to program the device. This can be the simplest programming system, because the programming source could contain all the intelligence and freely manipulate the target memory.

The drawback to this is a lack of efficiency, as directly manipulating the target memory and manually verifying data takes significant time on the CAN bus.

To make the operation more efficient, the programming target could be given some intelligence, like self-verification. This would make communications unidirectional, essentially cutting the time on the CAN bus in half.

Overall, the best savings is to design all the nodes in the system with similar, modular firmware. Each node could then use only those modules required for its task, but the entire group of nodes could be updated simultaneously. The sacrifice here is program memory overhead, since some nodes may have resident firmware that is not used.

Programming a Running System

An interesting situation is bootloading in an active and functioning system. In this instance, one or more of the nodes are taken off-line to update their firmware, yet the functionality of the entire system is not completely disabled. This, of course, requires that the target node or nodes have some functional independence from other parts of the networked system.

There are priority issues to contend with when programming in an active system. For example, what priority can be given to the bootloader without affecting the critical communications in the system? If higher priority is given to nodes running the bootloader than other nodes running their normal application, then it may take time for data to be received when data is being streamed to the programming target. Thus, critical systems that require relatively low latency for data transmission or reception may fail to function as expected. In the opposite situation, assigning the programming target with a priority that is too low could lead to extremely long programming times, simply because the programming source and target are continually waiting for an IDLE bus to pass data.

In an active network, planning is necessary to provide sufficient bus time for programming. One solution is simply to give relatively high priority to bootloader programming operations, then design the programming source to "inject" time for other applications while streaming data on the CAN bus. Thus, bus time is always available and controlled by the programming source.

AN247

Even with careful planning, there may be situations where safety is actually compromised as a result of bus contention. In these cases, the best option may be to put all nodes in the network into a "Configuration" mode and shut down all system functions.

Boot Mode Entry

Boot mode entry is determined by an event. This could be a hardware event, such as pressing one or more buttons after a device RESET. It could also be a network event, such as a special set of data that tells a device to enter Boot mode. One example is a network boot ID that is mapped directly into the CAN ID. Then the key, along with specific target information, could be embedded in the data field of a CAN frame. The key information could put one or more nodes into Boot mode.

BOOTLOADER FIRMWARE

Basic Operation Overview

An overview of the CAN bootloader's operation is shown in Figure 1. A CAN Message Identifier and data is received through the CAN module. One bit in the identifier is used to indicate whether to PUT or GET data. Another is used to determine if the message is to be interpreted as data to be programmed or bootloader control information. Writing data automatically invokes the appropriate function to write to memory (FLASH, Data EEPROM, or Configuration Memory). Writing to the Control registers sets the operation of the bootloader.

The bootloader can be configured at build time to support one of two mutually exclusive modes of operation. In **P Mode** (or Put-only) mode, the microcontroller only accepts PUT commands, and never "talks back" to the source. In **PG Mode**, both PUT and GET commands are accepted, allowing the source to both read from and write to the target's memory.

A more detailed explanation is provided in subsequent sections.

Memory Organization

PROGRAM MEMORY USAGE

Currently, PIC18F devices reserve the first 512 bytes of Program Memory as the boot block. Future devices may expand this, depending on application requirements for these devices. This bootloader is designed to occupy the current designated boot block of 512 bytes (or 256 words) of memory using the recommended options. Note, however, some compile time options can grow the bootloader beyond the boot block. Figure 2 shows a memory map of the PIC18F458. The boot area can be code protected to prevent accidental overwriting of the boot program.

FIGURE 1: BOOTLOADER FUNCTIONAL BLOCK DIAGRAM

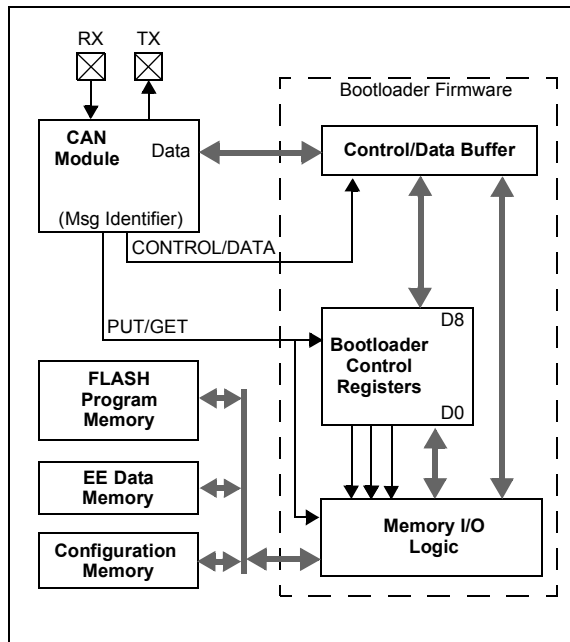
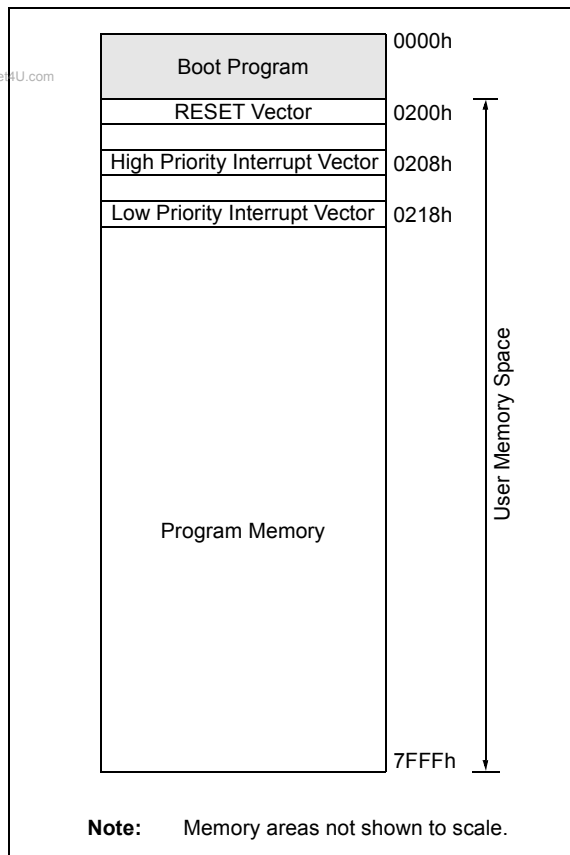


FIGURE 2: PROGRAM MEMORY MAP OF THE PIC18F458

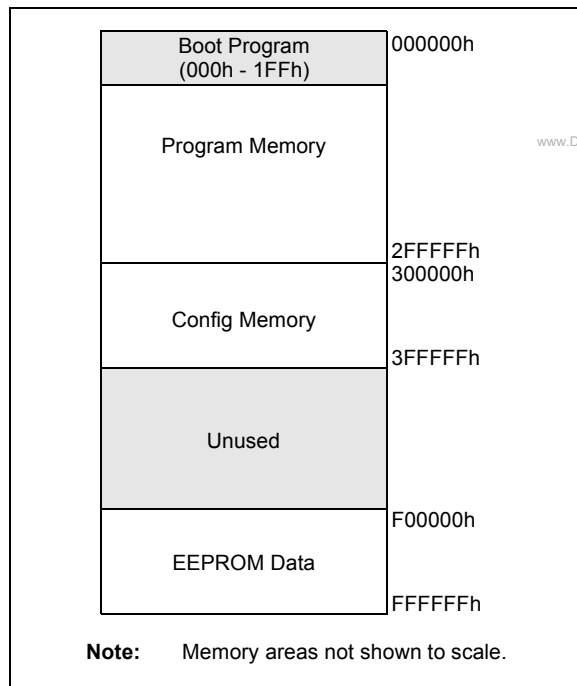


REMAPPED MEMORY AND VECTORS

Since the hardware RESET and interrupt vectors lie within the boot area and cannot be edited if the block is protected, they are remapped through software to the nearest parallel locations outside the boot block. Remapping is simply a branch for interrupts, so PIC18F users should note an additional latency of 2 instruction cycles to handle interrupts. Upon RESET, there are some boot condition checks, so the RESET latency is an additional 10 instruction cycles (as seen in the example source code).

Notice the memory regions do not necessarily correlate to the physical addresses in the device (see Figure 3). For example, EEDATA is located at F00000h; however, in the PIC18 device, EEDATA operates as a separate module and is not located in the device memory map. In addition, the regions only define where the boot-loader operates and the type of memory that it operates on. This should not be interpreted as meaning that writable memory is available over the entire defined memory areas.

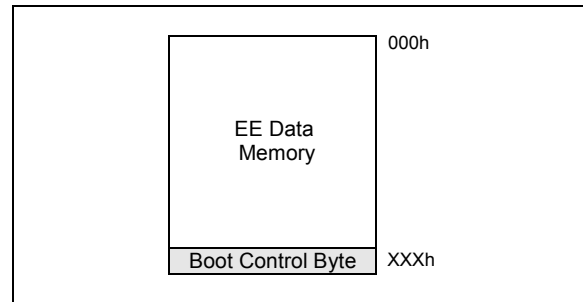
FIGURE 3: BOOTLOADER MEMORY REGIONS



DATA MEMORY USAGE

The last location in Data Memory of the device (Figure 4) is reserved as a non-volatile Boot mode flag. This location contains FFh by default, which indicates Boot mode. Any other value in this location indicates normal Execution mode.

FIGURE 4: DATA MEMORY MAP



COMMUNICATION AND CONTROL PROTOCOL

From the functional view in Figure 1, the boot-loader looks and behaves like a hardware module. This is mostly because the boot-loader's operation is dictated by two "commands" derived from single bit values, as well as a set of defined Control registers.

Basic Bootloader Commands

There are essentially two data control commands: PUT and GET. These commands are implemented through a single bit passed via the CAN Message Identifier field (in this version, bit 1 of the 18-bit Extended Identifier field); the command is PUT when the bit is '0', and GET when it is '1'. PUT or GET can operate on either a type of memory or the Control register set. GET commands are ignored if P-Mode is specified.

The CONTROL/DATA bit, also defined in the Identifier field (in this version, bit 0 of the Extended Identifier), indicates the destination of the frame data. When the bit is '0', the data is interpreted as Control register content; when it is '1', the data is programming data.

The bit assignments for PUT/GET and CONTROL/DATA are arbitrary, and are defined by compile time definitions. The user may change the locations of these bits in the identifier as the application requires.

Control Registers

There are eight Control registers, which represent the maximum number of bytes that can be contained in the data field of a single CAN frame. The registers are shown in order in Figure 5.

FIGURE 5: CONTROL REGISTERS

Address Low	D0
Address High	D1
Address Upper	D2
(Reserved)	D3
Control Bits	D4
Command	D5
Data A	D6
Data B	D7

The Control registers are:

- **Address Low (D0):** This contains the low order byte of the address pointer.
- **Address High (D1):** This register contains the middle byte of the address pointer.
- **Address Upper (D2):** This register contains the high order byte of the address pointer.
- **Reserved (D3):** This register is reserved for expanded addressing.
- **Control Bits (D4):** This register contains bits that define the basic operation of the bootloader.
- **Command (D5):** This location contains the immediate bootloader command. This is available to allow special functions.
- **Data A and Data B (D6 and D7):** These Data registers are reserved for expansions of the bootloader command set.

Address Information

Control registers, D0 through D2, contain a 24-bit address which can point to anywhere in the device's address space. Figure 3 shows the defined regions.

Control Bits

The five control bits in register D4 define how the bootloader functions at run time. They are:

- **WRITE_UNLOCK:** Set this bit to unlock write operations. This bit is provided to insure any write operations to memory are intentional. This bit is automatically cleared after a RESET.
- **ERASE_ONLY:** Set this bit to allow erase operations on Program Memory, but not write operations. This is useful when it is only necessary to erase a section of memory. The address must be on a 64-byte boundary to erase.
- **AUTO_ERASE:** Set this bit to automatically erase while writing to memory. On every 64-byte boundary, the bootloader will automatically erase before writing. This is useful when writing large sequential blocks of data over old data in Program Memory.
- **AUTO_INC:** Set this to automatically increment the address after each write or read operation. This is useful when writing large sequential blocks of data.
- **ACK:** In PG mode, set this bit to force the bootloader to send Acknowledgement of every PUT command received. An Acknowledgement is simply an empty CAN frame. This is useful in systems that require fully synchronized flow between the source and the target.

www.DataSheet4U.com

TABLE 1: SUMMARY OF CONTROL BITS (REGISTER D4)

Bit #	Bit Name	Description
0	WRITE_UNLOCK	0 = Prevent writing (default).
		1 = Allow write to any memory.
1	ERASE_ONLY	0 = Allow write after erase (default).
		1 = Don't write after erase.
2	AUTO_ERASE	0 = Don't automatically erase before writing.
		1 = Erase if on 64-byte border, then write (default).
3	AUTO_INC	0 = Update pointer manually.
		1 = Increment pointer automatically after operation (default).
4	ACK	0 = Don't send Acknowledgement.
		1 = Send an empty CAN frame after every PUT command (PG mode only)(default).

Command and Data

There are four commands defined to add functionality and reliability to the bootloader. These are summarized in Table 2. They are:

- **NOP:** No operation. This is supplied to allow writing Control registers without issuing a command.
- **RESET:** Reset the device via the `RESET` instruction.
- **INIT_CHK:** Initialize the checksum and verify registers. This clears the internal 16-bit checksum and clears the verify flags.

- **CHK_RUN:** Test the checksum and verify registers; if valid, then clear the last location of EEPROM. Data is passed through the Data registers in the Control register set and added to the checksum; the program checks for zero. The internal self-verify flag is also tested for zero.

Note that these are not the only commands that may be implemented. Users may expand on this basic set by using the high order bits of register D4, or using combinations of bits to define an expanded command set. Registers D5 through D7 may also be used to define additional parameters in combination with commands. The basic 8-register structure for control allows users to expand the command sets to their own needs.

TABLE 2: SUMMARY OF SPECIAL COMMANDS (COMMAND REGISTER D5)

Command	Code	Description
NOP	00h	No operation.
RESET	01h	Issue a Software Reset to the device.
INIT_CHK	02h	Initialize internal checksum and verify registers.
CHK_RUN	03h	Test the checksum and verify, then clear the last location of EEPROM if valid.
All other commands	04h - FFh	Undefined - operate as <code>NOP</code> .

BOOTLOADER DETAILS

Reading/Writing/Erasing Program Memory

For writing to FLASH Program Memory, the Control register address must point to memory region 000000h to 2FFFFFFh. Read operations occur at the byte level. Write operations are performed on multiples of 8 bytes (one block), while erase operations are performed on 64 bytes (one row).

Writing is an immediate operation. When the `PUT "DATA"` command is received, the address already stored in the Control registers is decoded and the data is written to the target's Program Memory. Data is only written if the write operation has been unlocked.

When writing Program Memory, the memory should be erased first. Either the auto erase or erase only options can be used to erase memory on every 64-byte border. The default operation is that bits can only be cleared when written to. An erase operation is the only action that can be used to set bits in Program Memory. Thus, if the bootloader protection bits are not set up in the Configuration registers, operations on memory from 000h to 1FFh could partially or completely disable the bootloader firmware.

User IDs (starting at address 200000h) are considered to be part of Program Memory and are written and erased like normal FLASH Program Memory.

Reading/Writing EEPROM Data Memory

For writing to EEPROM Data Memory, the Control register address must point to memory region F00000h to FFFFFFFh. Read and write operations occur at the byte level. Write operations must be unlocked before any write operation can take place.

Note that the last location of the Data Memory is used as a boot flag. Writing anything other than FFh to the last location indicates normal code execution.

Configuration Bits

PIC18F devices allow access to the device configuration bits (addresses starting at 300000h) during normal operation. In the bootloader, the Control register address must point to memory region 300000h to 3FFFFFFh to provide Configuration Memory access. Data is read one byte at a time and, unlike Program Memory, is written one byte at a time. Since configuration bits are automatically erased before being written, the erase control bit will have no effect on Configuration Memory.

Having access to configuration settings is very powerful; it is also potentially very dangerous. For example, assume that the system is designed to run in HS mode with a 20 MHz crystal. If the bootloader changes the oscillator setting to LP mode, the system will cease to function - including the bootloader! Basically, the system has been killed by improperly changing one bit.

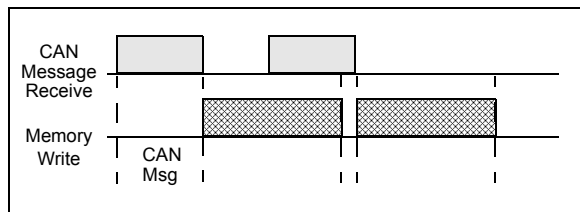
It is also important to note some configuration bits are single direction bits in Normal mode; they can only be changed to one state, and cannot be changed back. The code protection bits in Configuration registers 5L and 5H are a good example. If any type of code protection is enabled for a block, it cannot be disabled without a device programmer. Essentially, the bootloader cannot reverse code protection.

The Device ID (addresses 3FFFEh and 3FFFFh) is also considered Program Memory. While they can be accessed, however, they are read only and cannot be altered.

Write Latency

When writing data, there is a specific time that the programming source must wait for to complete the programming operation. Fortunately, the CAN module actually buffers received data; therefore, receiving can actually overlap memory write operations (Figure 6). In general, it takes about 2 ms for Program Memory write operations, while EEDATA takes about 4 ms. Not all PIC18F devices have the same time specifications, so it is important to verify the write times for the specific device to be used.

FIGURE 6: CAN RECEIVE VS. MEMORY WRITE



WRITING CODE

The bootloader operates as a separate entity, which means that an application can be developed with very little concern about what the bootloader is doing. This is as it should be; the bootloader should be dormant code until an event initiates a boot operation. Under ideal circumstances, bootloader code should never be running during an application's intended normal operation.

When developing an application with a resident bootloader, some basic principles must be kept in mind.

Writing in Assembly

When writing in assembly, the boot block and new vectors must be considered. For modular code, this is generally just a matter of changing the linker script file for the project. An example is given in Appendix C. If an absolute address is assigned to a code section, the address must point somewhere above the boot block.

For those who write absolute assembly, all that is necessary to remember is that the new RESET vector is at 200h, and the interrupt vectors are at 208h and 218h. No code except the bootloader should reside in the boot block.

Writing in C

When using the MPLAB® C18 C compiler to develop PIC18F firmware for an application, the standard start-up object (c018.o or c018i.o) must be rebuilt with the new RESET vector. Like modular assembly, the linker file must be changed to incorporate the protected boot block and new vectors. Appendix C shows an example linker file.

Users of other compilers should check with the compiler's software user guide to determine how to change the start-up code and vectors.

Bootloader Re-Entry

If the need exists to re-enter Boot mode from the application (and it usually does), the last location of the data EEPROM must be set to FFh. The code in Example 1 demonstrates how this might be done in an application. Since the bootloader assumes RESET conditions, a RESET instruction should be initiated after setting the last location.

EXAMPLE 1: SETTING THE LAST LOCATION OF THE DATA MEMORY

```

SETF   EEADR      ; Point to the last byte
SETF   EEADRH
SETF   EEDATA     ; Bootmode control byte
MOVLW  b'00000100 ; Setup for EEData
MOVWF  EECON1
MOVLW  0x55       ; Unlock
MOVWF  EECON2
MOVLW  0xAA
MOVWF  EECON2
BSF   EECON1, WR ; Start the write
NOP
BTFSC EECON1, WR ; Wait
BRA   $ - 2
RESET
    
```

Debugging

For most situations, it is not necessary to have the bootloader firmware in memory to do debugging of an application with either the MPLAB ICD 2 or ICE devices. However, branch statements must be inserted at the hardware vectors to get to the new designated vectors. It may also be useful to have the start-up timing match exactly to the bootloader entry. When development of the application is finished, either remove the branches and rebuild the project, or export only the memory above the boot block. This code can then be distributed to those who are updating their firmware.

COMPILE TIME OPTIONS

Compile time options are available to provide initial settings as well as features. Some features require more memory than others. Compiling certain combinations of options can actually generate code that is larger than the designated boot block.

Modes of Operation (Compile Time)

The bootloader can be built to support either one of two mutually exclusive modes of operation:

- P Mode - Only PUT commands are accepted. The device will never 'talk back' to the source.
- PG Mode - Both PUT and GET are allowed. The source can actually read out of the target's memory as well as write to the target's memory.

The compile time definition, `ALLOW_GET_CMD`, selects the mode.

Self-Verification

The definition, `MODE_SELF_VERIFY`, enables a self-verification feature. With this feature, the firmware reads back the data written to any type of memory (not Control registers), and it compares the read data with the source (received) data. A flag is set in a register if verification failed.

Vectors

The RESET and interrupt vectors can be set to any location using the following definitions:

- `RESET_VECT`
- `HIGH_INT_VECT`
- `LOW_INT_VECT`

The default values reside at addresses 200h, 208h, and 218h, outside of the boot block; they parallel the default PIC18F458 interrupt vectors. If compiling some features causes the bootloader to be larger than the boot block, then these vectors must be adjusted to addresses above the used memory area. If the jump is farther than a relative branch, then the definition, `NEAR_JUMP`, must be removed.

Other Basic Settings

There are several other definitions that set CAN specific settings. These determine which bits of the message identifier are used for the PUT/GET and CONTROL/DATA commands, the CONTROL/DATA bit used for GET responses, as well as the filters and masks for the programming node. Refer to Table 3 for specific details.

AN247

TABLE 3: SUMMARY OF COMPILE TIME DEFINITIONS

Definition	Value (Default)	Description
ALLOW_GET_CMD	N/A	Allows GET commands. If not present, then the bootloader will only receive CAN messages.
MODE_SELF_VERIFY	N/A	Enables self-verification of data written to memory.
NEAR_JUMP	N/A	Uses BRA to jump to vectors. If not defined, then it uses GOTO.
HIGH_INT_VECT	208h	Remapped high priority interrupt vector.
LOW_INT_VECT	218h	Remapped low priority interrupt vector.
RESET_VECT	200h	Remapped RESET vector.
CAN_CD_BIT	RXB0EIDL<0>	Received CONTROL/DATA select bit.
CAN_PG_BIT	RXB0EIDL<1>	Received PUT/GET select bit.
CANTX_CD_BIT	TXB0EIDL<0>	Transmitted CONTROL/DATA select bit.
CAN_TXB0SIDH	10000000	Transmitted identifier for target node.
CAN_TXB0SIDL	00001000	
CAN_TXB0EIDH	00000000	
CAN_TXB0EIDL	00000100	
CAN_RXF0SIDH	00000000	Receive filter for target node.
CAN_RXF0SIDL	00001000	
CAN_RXF0EIDH	00000000	
CAN_RXF0EIDL	00000111	
CAN_RXM0SIDH	11111111	Receive mask for target node.
CAN_RXM0SIDL	11100011	
CAN_RXM0EIDH	11111111	
CAN_RXM0EIDL	11111100	
CAN_BRGCON1	11000001	CAN bit rate control.
CAN_BRGCON2	10111010	
CAN_BRGCON3	00000111	
CAN_CIOCON	00100000	CAN I/O control.

TIPS FOR SUCCESSFUL FIELD PROGRAMMING

Successful programming can take several forms, depending on which compile time options are selected. In P-Mode with self-verification enabled, the programmed target keeps a running 16-bit sum of all the data written to memory. In addition, every write operation is verified by reading back and comparing the data, providing some assurance that all data was received and that all data was correctly written.

In PG mode without self-verification, the programming source can read as well as write data. Thus, verification is provided directly by the source.

EXAMPLE PROGRAMMING SEQUENCE (P MODE)

1. Put the programming target in Boot mode.
2. Send a control packet. Load the address with the beginning memory. Unlock write operations. Enable auto erase. Disable erase only. Issue a Self-Verify Reset.
3. Send Program Memory data. The data must be 8 bytes and aligned on an even 8-byte address.
4. Wait an appropriate amount of time.
5. Repeat steps 3 and 4 until all Program Memory is written.
6. Send EEPROM Data Memory data.
7. Wait an appropriate amount of time.
8. Repeat steps 6 and 7 until all EEPROM Data Memory is written except for the last location.
9. Send one byte of Configuration Memory data.
10. Wait an appropriate amount of time.
11. Repeat steps 9 and 10 until all the desired configuration settings are written. If setting memory protection, write these last.
12. Send a control packet. Send a check and run command. Also, send the two's complement of the sum of all data written in the Data registers in the same packet.
13. Send a RESET command. If self-verification succeeded, then the node should be running the new application. This could be verified at the application level by the programming source, or any other node in the network that communicates with the target.

EXAMPLE PROGRAMMING SEQUENCE (PG MODE)

1. Put the programming target in Boot mode.
2. Send a control packet. Load the address with the beginning memory. Unlock write operations. Enable auto erase. Disable erase only.
3. Send Program Memory data. The data must be 8 bytes and aligned on an even 8-byte address.
4. Wait an appropriate amount of time.
5. Read back the data written and compare. If fail, then reset the pointer and try again, steps 3 and 4.
6. Repeat steps 3, 4, and 5 until all Program Memory is written.
7. Send EEPROM Data Memory data.
8. Wait an appropriate amount of time.
9. Read back the data written and compare. If fail, then reset the pointer and try again, steps 7 and 8.
10. Repeat steps 7, 8, and 9 until all EEPROM Data Memory is written except for the last location.
11. Send one byte of Configuration Memory data.
12. Wait an appropriate amount of time.
13. Read back the data written and compare. If fail, then reset the pointer and try again, steps 11 and 12.
14. Repeat steps 11, 12, and 13 until all the desired configuration settings are written. If setting memory protection, write these last.
15. Write 00h to the last location of EEPROM Data Memory.
16. Send a RESET command. Functionality should be verified at the application level by the programming source, or any other node in the network that communicates with the target.

www.DataSheet4U.com

AN247

RESOURCES

For most builds, the PIC18F CAN bootloader resides within the device's Boot Block (000h to 1FFh), and does not impact the normal Program Memory space beyond the relocation of the interrupt vectors.

As noted, some combinations of compile time options (for example, selecting both PG mode and self-verify) will result in a bootloader that exceeds the Boot Block size. In these cases, it will be necessary to relocate any user application code and the interrupt vectors above the boundary of the bootloader, being careful to avoid code overlap. If Program Memory space is not critical, the optimal solution may be to locate all application code and the interrupt vectors above the upper boundary of Block 0 (1FFFh). Write protecting Block 0 to protect the bootloader is desirable, but not essential.

The bootloader uses 12 bytes of data SRAM during operation. It also uses 1 byte of data EEPROM at all times, as the normal operation/bootloader flag.

REFERENCES

W. Lawrenz, *CAN System Engineering From Theory to Practical Applications*. New York: Springer-Verlag New York Inc., 1997.

MPLAB-CXX Compiler User's Guide, Microchip Technology Inc., 2000 (Document number DS51217).

Microchip Technology Inc., Application Note AN851, "A FLASH Bootloader for PIC16 and PIC18 Devices" (Document number DS00851).

www.DataSheet4U.com

APPENDIX A: A SIMPLE PROGRAMMING INTERFACE

To demonstrate the functionality of the CAN bootloader, a simple serial-to-CAN interface is discussed briefly here. The hardware, controller firmware and software are designed to work as a package. Users are encouraged to use this design example as a starting point for developing their own programming systems.

The Hardware

An underlying assumption of the bootloader is that some method exists to introduce the new program data to the target CAN network. There may be cases, however, where no provision has been made for a network to communicate with an outside data source. In these cases, it is necessary to introduce a CAN node whose sole function is to provide an external data interface.

A schematic outline for the interface's hardware is presented in Figure A-1 and Figure A-2 (following pages). The heart of the design is a PIC18F458 microcontroller, which runs the programming firmware and provides both CAN and RS-232 communications. Interfaces to the CAN bus and programming data source are provided by an external CAN transceiver and RS-232 interface.

Optional status LEDs, headers for accessing the controller's I/O ports and power regulation are provided in the design. These may be modified, removed or expanded upon as the system design requires.

The Firmware

The firmware is an extension of the PIC18F serial bootloader discussed in Microchip Application Note AN851, "A FLASH Bootloader for PIC16 and PIC18 Devices". Two new commands (`RD_SRAM` and `WT_SRAM`) have been added to provide access to SRAM, thus allowing complete control of all the peripherals (including the CAN module) through the serial bootloader.

A summary of the commands and syntax for the PIC18 FLASH Bootloader is provided in Appendix A of Application Note AN851.

The Host Software

The software portion of the interface is designed to run on IBM® compatible computers running Microsoft® Windows®. It provides a simple graphic-based tool to translate program files in Intel® HEX format into serial data for the programmer firmware.

THE CANCOMM CONTROL

The software interface uses an ActiveX® control to provide simple communications with the CAN module through the serial port. For those who wish to experiment with the interface, a total of 4 properties and 13 methods are available to the user. These are listed in Table A-1.

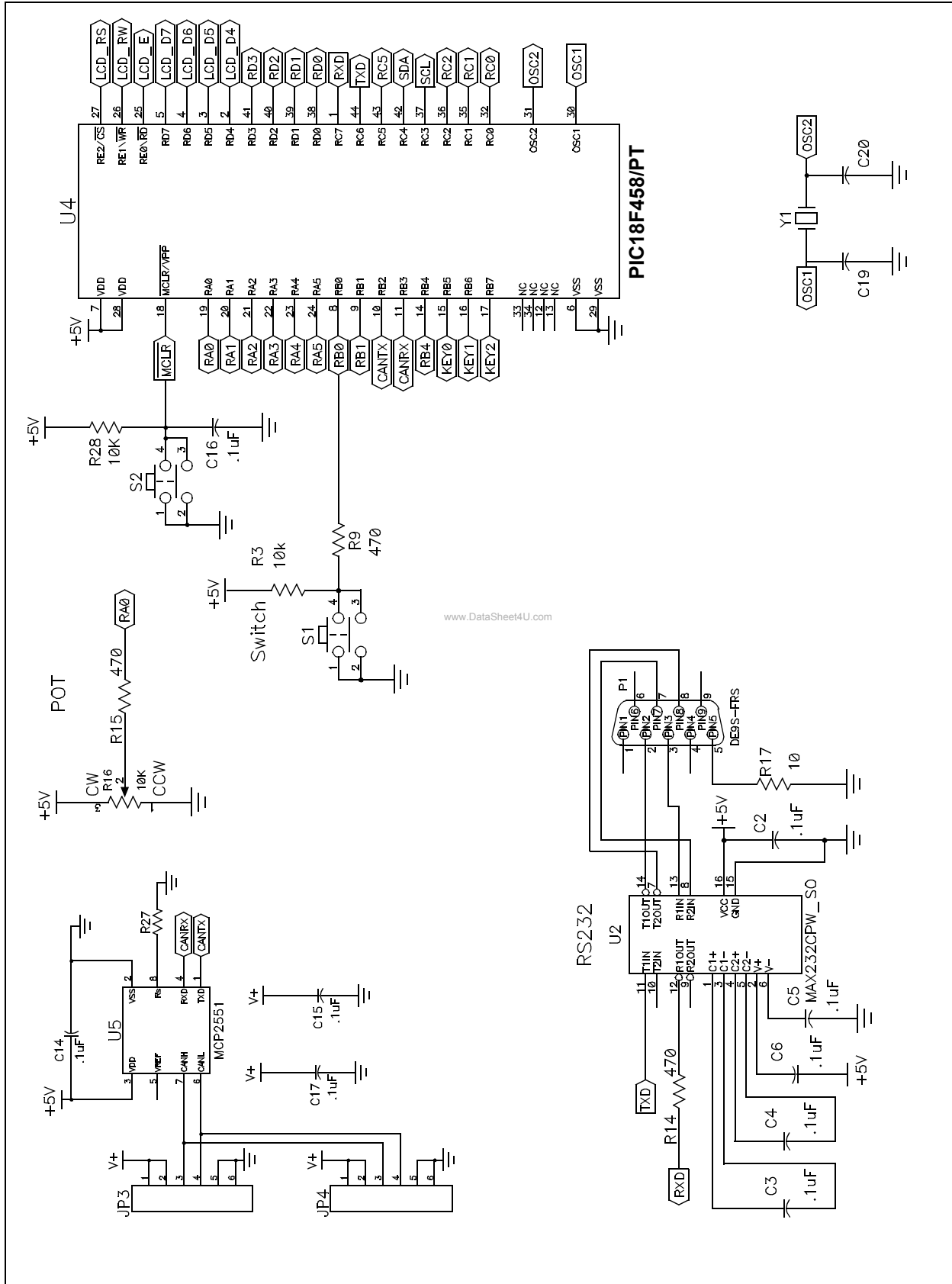
THE USER INTERFACE

A simple graphic and text interface allows the user to keep track of the bootloading operations in real-time. Examples of the interface's dialogs are shown in Figure A-3.

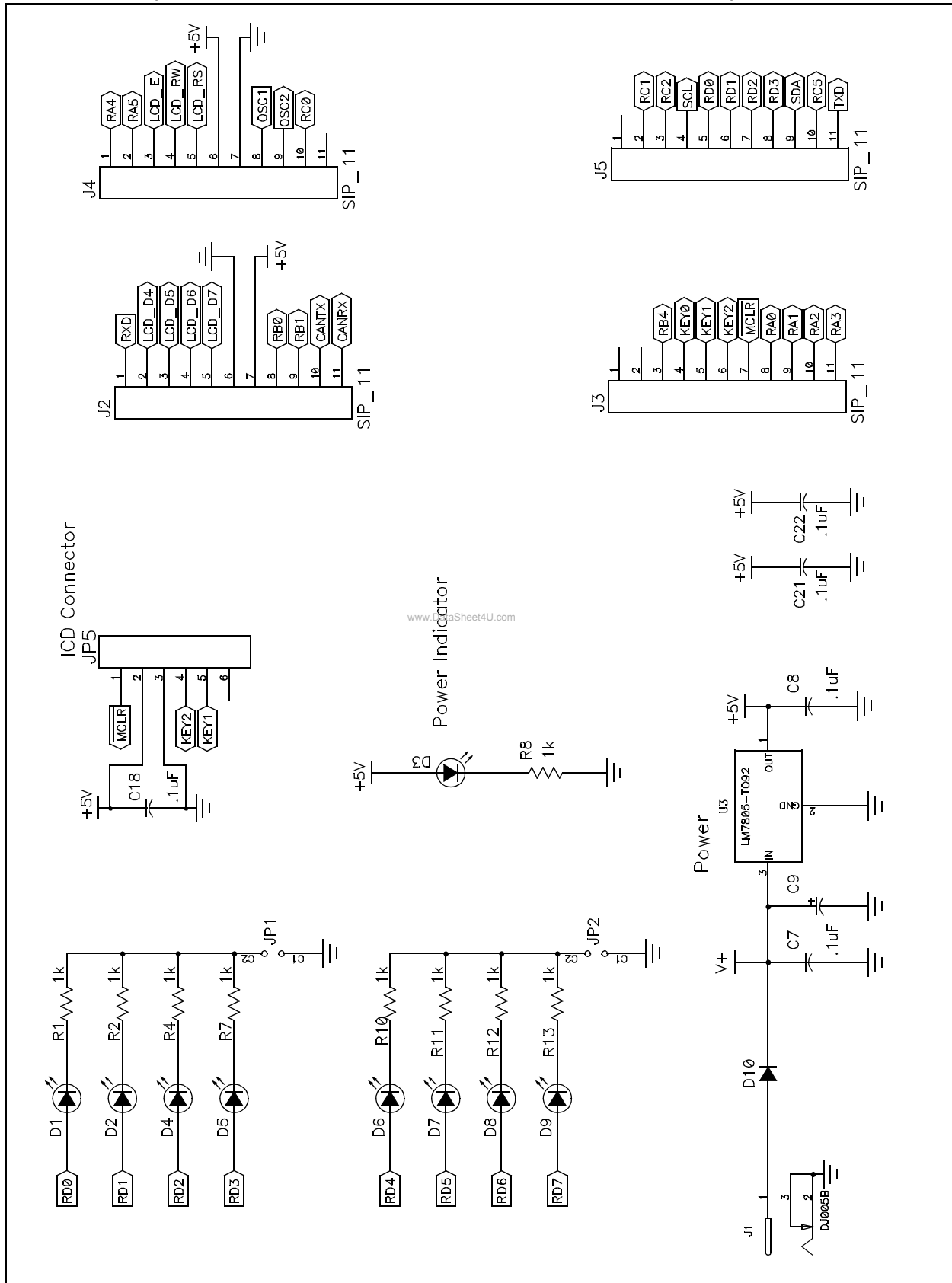
TABLE A-1: ActiveX METHODS USED BY THE HOST SOFTWARE

Method	Type	Purpose
BitRate	Property	Sets the bit rate of the comm port.
CommPort	Property	Specifies the comm port.
MaxTimeOut	Property	Specifies the maximum wait (in milliseconds) for data to be received in the computer's serial buffer.
MaxRetrys	Property	Specifies the maximum number of times to resend a serial packet.
SetFilter	Method	Sets a CAN filter on the interface.
SetMask	Method	Sets a CAN mask on the interface.
GetMsg	Method	Gets the message from the CAN receive buffer.
PutMsg	Method	Puts the message in the CAN transmit buffer.
SetBitRate	Method	Sets the CAN bit rate.
Init	Method	Initializes the CAN module on the interface.
IsGetMsgRdy	Method	Determines if the receive buffer has data.
IsPutMsgRdy	Method	Determines if the transmit buffer is open.
GoOnBus	Method	Puts the interface on the CAN bus.
GoOffBus	Method	Takes the interface off the CAN bus.
GetStat	Method	Gets the current status of the interface CAN module.
OpenComm	Method	Opens serial communications to the interface
CloseComm	Method	Closes communications to the CAN interface.

FIGURE A-1: BOOTLOADER HARDWARE INTERFACE FOR CAN NETWORKS (MCU AND SERIAL INTERFACES)

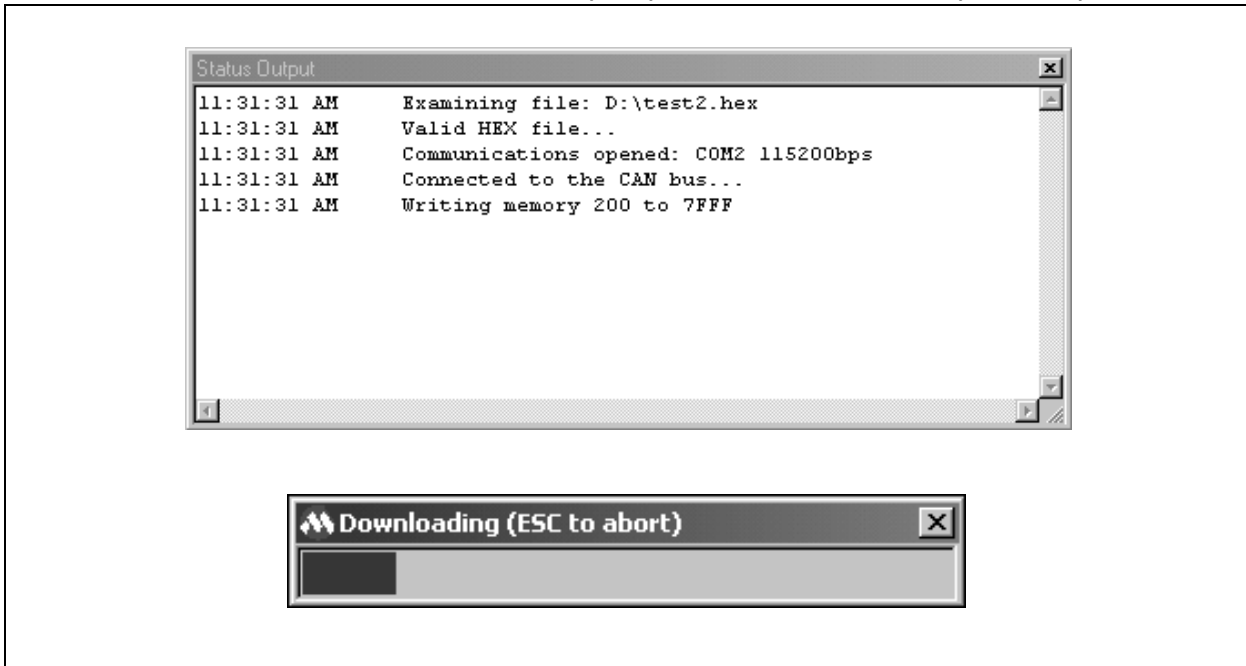


**FIGURE A-2: BOOTLOADER HARDWARE INTERFACE FOR CAN NETWORKS
(POWER SUPPLY, DISPLAYS AND CONNECTION HEADERS)**



AN247

**FIGURE A-3: EXAMPLE DIALOGS FOR THE CANCOMM HOST SOFTWARE:
OUTPUT STATUS MESSAGES (TOP) AND PROGRESS BAR (BOTTOM)**



www.DataSheet4U.com

Software License Agreement

The software supplied herewith by Microchip Technology Incorporated (the "Company") is intended and supplied to you, the Company's customer, for use solely and exclusively with products manufactured by the Company.

The software is owned by the Company and/or its supplier, and is protected under applicable copyright laws. All rights are reserved. Any use in violation of the foregoing restrictions may subject the user to criminal sanctions under applicable laws, as well as to civil liability for the breach of the terms and conditions of this license.

THIS SOFTWARE IS PROVIDED IN AN "AS IS" CONDITION. NO WARRANTIES, WHETHER EXPRESS, IMPLIED OR STATUTORY, INCLUDING, BUT NOT LIMITED TO, IMPLIED WARRANTIES OF MERCHANTABILITY AND FITNESS FOR A PARTICULAR PURPOSE APPLY TO THIS SOFTWARE. THE COMPANY SHALL NOT, IN ANY CIRCUMSTANCES, BE LIABLE FOR SPECIAL, INCIDENTAL OR CONSEQUENTIAL DAMAGES, FOR ANY REASON WHATSOEVER.

APPENDIX B: CAN BOOTLOADER FIRMWARE

```
;*****
;*
;*          Microchip CAN Bootloader
;*
;*****
;* FileName:          CANIO.asm
;* Dependencies:
;* Processor:         PIC18F with CAN
;* Assembler:        MPASMWIN 03.10.04 or higher
;* Linker:           MPLINK 03.10.04 or higher
;* Company:          Microchip Technology Incorporated
;*
;* Basic Operation:
;* The following is a CAN bootloader designed for PIC18F microcontrollers
;* with built-in CAN such as the PIC18F458. The bootloader is designed to
;* be simple, small, flexible, and portable.
;*
;* The bootloader can be compiled for one of two major modes of operation:
;*
;* PG Mode: In this mode the bootloader allows bi-directional communication
;*          with the source. Thus the bootloading source can query the
;*          target and verify the data being written.
;*
;* P Mode: In this mode the bootloader allows only single direction
;*          communication, i.e. source -> target. In this mode programming
;*          verification is provided by performing self verification and
;*          checksum of all written data (except for control data).
;*
;* The bootloader is essentially a register-controlled system. The control
;* registers hold information that dictates how the bootloader functions.
;* Such information includes a generic pointer to memory, control bits to
;* assist special write and erase operations, and special command registers
;* to allow verification and release of control to the main application.
;*
;* After setting up the control registers, data can be sent to be written
;* to or a request can be sent to read from the selected memory defined by
;* the address. Depending on control settings the address may or may not
;* automatically increment to the next address.
;*
;* Commands:
;* Put commands received from source (Master --> Slave)
;* The count (DLC) can vary.
;* XXXXXXXXXXXX 0 0 8 XXXXXXXX XXXXXX00 ADDR0 ADDR1 ADDR2 RESVD CTLBT SPCMD CPDTL CPDTH
;* XXXXXXXXXXXX 0 0 8 XXXXXXXX XXXXXX01 DATA0 DATA1 DATA2 DATA3 DATA4 DATA5 DATA6 DATA7
;*
;* The following response commands are only used for PG mode.
;* Get commands received from source (Master --> Slave)
;* Uses control registers to get data. Eight bytes are always assumed.
;* XXXXXXXXXXXX 0 0 0 XXXXXXXX XXXXXX10 _NA_ _NA_ _NA_ _NA_ _NA_ _NA_ _NA_ _NA_
;* XXXXXXXXXXXX 0 0 0 XXXXXXXX XXXXXX11 _NA_ _NA_ _NA_ _NA_ _NA_ _NA_ _NA_ _NA_
```

AN247

```

;*
;* Put commands sent upon receiving Get command (Slave --> Master)
;* YYYYYYYYYYYY 0 0 8 YYYYYYYY YYYYYY00 ADDR_L ADDR_H ADDR_U RESVD STATS RESVD RESVD RESVD
;* YYYYYYYYYYYY 0 0 8 YYYYYYYY YYYYYY01 DATA0 DATA1 DATA2 DATA3 DATA4 DATA5 DATA6 DATA7
;*
;* Put commands sent upon receiving Put command (if enabled) (Slave --> Master)
;* This is the acknowledge after a put.
;* YYYYYYYYYYYY 0 0 0 YYYYYYYY YYYYYY00 _NA_ _NA_ _NA_ _NA_ _NA_ _NA_ _NA_ _NA_
;* YYYYYYYYYYYY 0 0 0 YYYYYYYY YYYYYY01 _NA_ _NA_ _NA_ _NA_ _NA_ _NA_ _NA_ _NA_
;*
;* ADDR_L - Bits 0 to 7 of the memory pointer.
;* ADDR_H - Bits 8 - 15 of the memory pointer.
;* ADDR_U - Bits 16 - 23 of the memory pointer.
;* RESVD - Reserved for future use.
;* CTLBT - Control bits.
;* SPCMD - Special command.
;* CPDT_L - Bits 0 - 7 of special command data.
;* CPDT_H - Bits 8 - 15 of special command data.
;* DATA_X - General data.
;*
;* Control bits:
;* MODE_WRT_UNLCK-Set this to allow write and erase operations to memory.
;* MODE_ERASE_ONLY-Set this to only erase Program Memory on a put command. Must be on 64-byte
;* boundary.
;* MODE_AUTO_ERASE-Set this to automatically erase Program Memory while writing data.
;* MODE_AUTO_INC-Set this to automatically increment the pointer after writing.
;* MODE_ACK-Set this to generate an acknowledge after a 'put' (PG Mode only)
;*
;* Special Commands:
;* CMD_NOP      0x00    Do nothing
;* CMD_RESET    0x01    Issue a soft reset
;* CMD_RST_CHKSM 0x02    Reset the checksum counter and verify
;* CMD_CHK_RUN  0x03    Add checksum to special data, if verify and zero checksum
;*                then clear the last location of EEDATA.
;
;* Memory Organization (regions not shown to scale):
;*
;*      |-----|0x000000 (Do not write here!)
;*      |       |
;*      |       |
;*      |-----|0x000200
;*      |       |
;*      |       |
;*      |       |
;*      |-----|0x1FFFFFF
;*      |       |
;*      |       |
;*      |-----|0x200000
;*      |       |
;*      |       |
;*      |       |
;*      |-----|
;*      |       |
;*      |-----|0x300000
;*      |       |
;*      |       |
;*      |-----|
;*      |       |
;*      |-----|
;*      |       |
;*      |-----|
;*      |       |
;*      |-----|
;*      |       |
;*      |-----|0x3FFFFFFE - 0x3FFFFFFF
;*      |       |
;*      |       |
;*      |-----|
;*      |       |
;*      |-----|0xF00000
;*      |       |
;*      |       |
;*      |-----|0xFFFFFFF
;*      |       |
;*      |       |
;*      |-----|0xFFFFFFF
;
;

```



```

;* Author          Date          Comment
;*****
;* Ross Fosler    11/26/02      First full revision
;*
;*****/

; *****
#include  p18cxxx.inc
#include  canio.def
; *****

; *****
#ifndef  EEADRH
#define  EEADRH          EEADR+1
#endif

#define  TRUE            1
#define  FALSE           0
#define  WREG1           PRODH          ; Alternate working register
#define  WREG2           PRODL
#define  MODE_WRT_UNLCK  _bootCtlBits,0 ; Unlock write and erase
#define  MODE_ERASE_ONLY _bootCtlBits,1 ; Erase without write
#define  MODE_AUTO_ERASE _bootCtlBits,2 ; Enable auto erase before write
#define  MODE_AUTO_INC   _bootCtlBits,3 ; Enable auto inc the address
#define  MODE_ACK         _bootCtlBits,4 ; Acknowledge mode
#define  ERR_VERIFY      _bootErrStat,0 ; Failed to verify
#define  CMD_NOP          0x00
#define  CMD_RESET       0x01
#define  CMD_RST_CHKSM   0x02
#define  CMD_CHK_RUN     0x03
; *****
; *****
MEM_IO_DATA  UDATA_ACS  0x00
; *****
_bootCtlMem
_bootAddrL   RES 1          ; Address info
_bootAddrH   RES 1
_bootAddrU   RES 1
_unused0     RES 1          ; (Reserved)
_bootCtlBits RES 1          ; Boot Mode Control bits
_bootSpcCmd  RES 1          ; Special boot commands
_bootChkL    RES 1          ; Special boot command data
_bootChkH    RES 1
_bootCount   RES 1
_bootChksmL  RES 1          ; 16 bit checksum
_bootChksmH  RES 1
_bootErrStat RES 1          ; Error Status flags
; *****

```

AN247

```
; *****
_STARTUPCODE    0x00
; *****
    bra    _CANInit
    bra    _StartWrite
; *****
_INTV_H CODE    0x08
; *****

#ifdef NEAR_JUMP
    bra    HIGH_INT_VECT
#else
    goto   HIGH_INT_VECT
#endif

; *****
_INTV_L CODE    0x18
; *****

#ifdef NEAR_JUMP
    bra    LOW_INT_VECT
#else
    goto   LOW_INT_VECT
#endif

; *****

; *****
_CAN_IO_MODULE CODE
; *****
; Function: VOID _StartWrite(WREG _eecon_data)www.DataSheet4U.com
;
; PreCondition: Nothing
; Input: _eecon_data
; Output: Nothing. Self write timing started.
; Side Effects: EECON1 is corrupted; WREG is corrupted.
; Stack Requirements: 1 level.
; Overview: Unlock and start the write or erase sequence to protected
;           memory. Function will wait until write is finished.
;
; *****
_StartWrite:
    movwf  EECON1
    btfss  MODE_WRT_UNLCK    ; Stop if write locked
    return
    movlw  0x55              ; Unlock
    movwf  EECON2
    movlw  0xAA
    movwf  EECON2
    bsf    EECON1, WR        ; Start the write
    nop
    btfsc  EECON1, WR        ; Wait (depends on mem type)
    bra    $ - 2
    return
; *****
```

```

; *****
; Function:  _bootChksm_UpdateChksum(WREG _bootChksmL)
;
; PreCondition: Nothing
; Input:  _bootChksmL
; Output: _bootChksm. This is a static 16 bit value stored in the Access Bank.
; Side Effects: STATUS register is corrupted.
; Stack Requirements: 1 level.
; Overview: This function adds a byte to the current 16 bit checksum
;           count. WREG should contain the byte before being called.
;
;           The _bootChksm value is considered a part of the special
;           register set for bootloading. Thus it is not visible.
;
; *****
_UpdateChksum:
    addwf  _bootChksmL, F ; Keep a checksum
    btfsc  STATUS, C
    incf   _bootChksmH, F
    return
; *****

; *****
; Function:  VOID _CANInit(CAN, BOOT)
;
; PreCondition: Enter only after a reset has occurred.
; Input:  CAN control information, bootloader control information
; Output: None.
; Side Effects: N/A. Only run immediately after reset.
; Stack Requirements: N/A
; Overview: This routine is technically not a function since it will not
;           return when called. It has been written in a linear form to
;           save space. Thus 'call' and 'return' instructions are not
;           included, but rather they are implied.
;
;           This routine tests the boot flags to determine if boot mode is
;           desired or normal operation is desired. If boot mode then the
;           routine initializes the CAN module defined by user input. It
;           also resets some registers associated with bootloading.
;
; *****
_CANInit:
    clrf   EECON1
    setf   EEADR           ; Point to last location of EEDATA
    setf   EEADRH
    bsf    EECON1, RD      ; Read the control code
    incfsz EEDATA, W

#ifdef NEAR_JUMP
    bra    RESET_VECT     ; If not 0xFF then normal reset
#else
    goto   RESET_VECT
#endif

    clrf   _bootSpCmnd     ; Reset the special command register
    movlw  0x1C            ; Reset the boot control bits
    movwf  _bootCtlBits
    movlb  d'15'          ; Set Bank 15
    bcf    TRISB, CANTX    ; Set the TX pin to output
    movlw  CAN_RXF0SIDH    ; Set filter 0
    movwf  RXF0SIDH
    movlw  CAN_RXF0SIDL
    movwf  RXF0SIDL
    comf   WREG            ; Prevent filter 1 from causing a

```

AN247

```
movwf RXF1SIDL      ; receive event
movlw  CAN_RXF0EIDH
movwf  RXF0EIDH
movlw  CAN_RXF0EIDL
movwf  RXF0EIDL
movlw  CAN_RXM0SIDH      ; Set mask
movwf  RXM0SIDH
movlw  CAN_RXM0SIDL
movwf  RXM0SIDL
movlw  CAN_RXM0EIDH
movwf  RXM0EIDH
movlw  CAN_RXM0EIDL
movwf  RXM0EIDL
movlw  CAN_BRGCON1      ; Set bit rate
movwf  BRGCON1
movlw  CAN_BRGCON2
movwf  BRGCON2
movlw  CAN_BRGCON3
movwf  BRGCON3
movlw  CAN_CIOCON      ; Set IO
movwf  CIOCON
clr    CANCON          ; Enter Normal mode
; *****

; *****
; This routine is essentially a polling loop that waits for a
; receive event from RXB0 of the CAN module. When data is
; received, FSR0 is set to point to the TX or RX buffer depending
; upon whether the request was a 'put' or a 'get'.
; *****
_CANMain:
    bcf    RXB0CON, RXFUL      ; Clear the receive flag
    btfss  RXB0CON, RXFUL      ; Wait for a message
    bra    $ - 2
    clrwdt

#ifdef ALLOW_GET_CMD
    btfss  CAN_PG_BIT          ; Put or get data?
    bra    _CANMainJp1
    lfsr  0, TXB0D0            ; Set pointer to the transmit buffer
    movlw 0x08
    movwf _bootCount          ; Setup the count to eight
    movwf WREG1
    bra    _CANMainJp2
#endif

_CANMainJp1
    lfsr  0, RXB0D0            ; Set pointer to the receive buffer
    movf  RXB0DLC, W
    andlw 0x0F
    movwf _bootCount          ; Store the count
    movwf WREG1
    bz    _CANMain            ; Go back if no data specified for a put
_CANMainJp2
; *****
```

```

; *****
; Function: VOID _ReadWriteMemory()
;
; PreCondition:Enter only after _CANMain().
; Input: None.
; Output: None.
; Side Effects: N/A.
; Stack Requirements: N/A
; Overview: This routine is technically not a function since it will not
;           return when called. It has been written in a linear form to
;           save space.Thus 'call' and 'return' instructions are not
;           included, but rather they are implied.
;
;           This is the memory I/O engine. A total of eight data
;           bytes are received and decoded. In addition two control
;           bits are received, put/get and control/data.
;
;           A pointer to the buffer is passed via FSR0 for reading or writing.
;
;           The control register set contains a pointer, some control bits
;           and special command registers.
;
;           Control
;           <PG><CD><ADDRL><ADDRH><ADDRU><_RES_><CTLBT><SPCMD><CPDTL><CPDTH>
;
;           Data
;           <PG><CD><DATA0><DATA1><DATA2><DATA3><DATA4><DATA5><DATA6><DATA7>
;
;           PG bit:   Put = 0, Get = 1
;           CD bit:   Control = 0, Data = 1
;
; *****
_ReadWriteMemory:
;           www.DataSheet4U.com
    btfsc CAN_CD_BIT    ; Write/read data or control registers
    bra    _DataReg

; *****
; This routine reads or writes the bootloader control registers,
; then executes any immediate command received.
_ControlReg
    lfsr 1, _bootCtlMem
_ControlRegLp1

#ifdef ALLOW_GET_CMD
    btfsc CAN_PG_BIT    ; or copy control registers to buffer
    movff POSTINC1, POSTINC0
    btfss CAN_PG_BIT    ; Copy the buffer to the control registers
#endif

    movff POSTINC0, POSTINC1
    decfsz WREG1, F
    bra    _ControlRegLp1

#ifdef ALLOW_GET_CMD
    btfsc CAN_PG_BIT
    bra    _CANSendResponce; Send response if get
#endif

; *****
; This is a no operation command.

    movf _bootSpcCmd, W; NOP Command
    bz    _SpecialCmdJp2; or send an acknowledge

; *****

```

AN247

```
; *****
; This is the reset command.

    xorlw  CMD_RESET      ; RESET Command
    btfsc STATUS, Z
    reset

; *****
; This is the Selfcheck reset command. This routine
; resets the internal check registers, i.e. checksum and
; self verify.

    movf   _bootSpcCmd, W    ; RESET_CHKSM Command
    xorlw  CMD_RST_CHKSM
    bnz    _SpecialCmdJp1
    clrf   _bootChksmH      ; Reset chksum
    clrf   _bootChksmL
    bcf    ERR_VERIFY       ; Clear the error verify flag

; *****
; This is the Test and Run command. The checksum is
; verified, and the self-write verification bit is checked.
; If both pass, then the boot flag is cleared.

_SpecialCmdJp1
    movf   _bootSpcCmd, W    ; RUN_CHKSM Command
    xorlw  CMD_CHK_RUN
    bnz    _SpecialCmdJp2
    movf   _bootChkL, W     ; Add the control byte
    addwf  _bootChksmL, F
    bnz    _SpecialCmdJp2
    movf   _bootChkH, W
    addwfc _bootChksmH, F   www.DataSheet4U.com
    bnz    _SpecialCmdJp2
    btfsc  ERR_VERIFY       ; Look for verify errors
    bra    _SpecialCmdJp2
    setf   EEADR            ; Point to last location of EEDATA
    setf   EEADRH
    clrf   EEDATA           ; and clear the data
    movlw  b'00000100'     ; Setup for EEData
    rcall  _StartWrite
    _SpecialCmdJp2

#ifdef ALLOW_GET_CMD
    bra    _CANSendAck     ; or send an acknowledge
#else
    bra    _CANMain
#endif

; *****
```

```
; *****
; This is a jump routine to branch to the appropriate memory access function.
; The high byte of the 24-bit pointer is used to determine which memory to access.
; All program memories (including Config and User IDs) are directly mapped.
; EEDATA is remapped.
```

```
_DataReg
```

```
; *****
```

```
_SetPointers
```

```
    movf    _bootAddrU, W        ; Copy upper pointer
    movwf   TBLPTRU
    andlw   0xF0                 ; Filter
    movwf   WREG2
    movf    _bootAddrH, W        ; Copy the high pointer
    movwf   TBLPTRH
    movwf   EEADRH
    movf    _bootAddrL, W        ; Copy the low pointer
    movwf   TBLPTRL
    movwf   EEADR
    btfss   MODE_AUTO_INC        ; Adjust the pointer if auto inc is enabled
    bra     _SetPointersJp1
    movf    _bootCount, W        ; add the count to the pointer
    addwf   _bootAddrL, F
    clrf    WREG
    addwfc  _bootAddrH, F
    addwfc  _bootAddrU, F
_SetPointersJp1
```

```
_Decode
```

```
    movlw   0x30                 ; Program memory < 0x300000
    cpfslt  WREG2
    bra     _DecodeJp1
```

www.DataSheet4U.com

```
#ifdef ALLOW_GET_CMD
```

```
    btfsc  CAN_PG_BIT
    bra     _PMRead
#endif
```

```
    bra     _PMEraseWrite
```

```
_DecodeJp1
```

```
    movf    WREG2,W              ; Config memory = 0x300000
    xorlw   0x30
    bnz     _DecodeJp2
```

```
#ifdef ALLOW_GET_CMD
```

```
    btfsc  CAN_PG_BIT
    bra     _PMRead
#endif
```

```
    bra     _CFGWrite
```

```
_DecodeJp2
```

```
    movf    WREG2,W              ; EEPROM data = 0xF00000
    xorlw   0xF0
    bnz     _CANMain
```

```
#ifdef ALLOW_GET_CMD
```

```
    btfsc  CAN_PG_BIT
    bra     _EERead
#endif
```

```
    bra     _EEWrite
```

```
; *****
```

AN247

```
; *****
; Function: VOID _PMRead()
;          VOID _PMEraseWrite()
;
; PreCondition:WREG1 and FSR0 must be loaded with the count and address of
;               the source data.
; Input: None.
; Output: None.
; Side Effects: N/A.
; Stack Requirements: N/A
; Overview: These routines are technically not functions since they will not
;           return when called. They have been written in a linear form to
;           save space.Thus 'call' and 'return' instructions are not
;           included, but rather they are implied.
;
;           These are the program memory read/write functions. Erase is
;           available through control flags. An automatic erase option
;           is also available. A write lock indicator is in place to
;           ensure intentional write operations.
;
;           Note: write operations must be on 8-byte boundaries and
;           must be 8 bytes long. Also erase operations can only
;           occur on 64-byte boundaries.
; *****

#ifdef ALLOW_GET_CMD
_PMRRead:
    tblrd*+          ; Fill the buffer
    movff  TABLAT, POSTINC0
    decfsz WREG1, F
    bra   _PMRead          ; Not finished then repeat
                                www.DataSheet4U.com
    bra   _CANSendResponce
#endif

_PMEraseWrite:
    btfss  MODE_AUTO_ERASE ; Erase if auto erase is requested
    bra   _PMWrite

_PMErase:
    movf  TBLPTRL, W          ; Check for a valid 64 byte border
    andlw b'00111111'
    bnz   _PMWrite

_PMEraseJpl
    movlw b'10010100'        ; Setup erase
    rcall _StartWrite        ; Erase the row
_PMWrite:
    btfsc  MODE_ERASE_ONLY ; Don't write if erase only is requested

#ifdef ALLOW_GET_CMD
    bra   _CANSendAck
#else
    bra   _CANMain
#endif

    movf  TBLPTRL, W          ; Check for a valid 8 byte border
    andlw b'00000111'
    bnz   _CANMain
    movlw 0x08
    movwf WREG1
```



```

_PMWriteLp1
    movf    POSTINC0, W        ; Load the holding registers
    movwf   TABLAT
    rcall   _UpdateChksum     ; Adjust the checksum
    tblwt*+
    decfsz  WREG1, F
    bra     _PMWriteLp1

#ifdef MODE_SELF_VERIFY
    movlw   0x08
    movwf   WREG1
_PMWriteLp2
    tblrd*-        ; Point back into the block
    movf    POSTDEC0, W
    decfsz  WREG1, F
    bra     _PMWriteLp2
    movlw   b'10000100'      ; Setup writes
    rcall   _StartWrite      ; Write the data
    movlw   0x08
    movwf   WREG1
_PMReadBackLp1
    tblrd*+        ; Test the data
    movf    TABLAT, W
    xorwf   POSTINC0, W
    btfss   STATUS, Z
    bsf     ERR_VERIFY
    decfsz  WREG1, F
    bra     _PMReadBackLp1   ; Not finished then repeat
#else
    tblrd*-        ; Point back into the block
    movlw   b'10000100'      ; Setup writes
    rcall   _StartWrite      ; Write the data
    tblrd*+        ; Return the pointer position
#endif

#ifdef ALLOW_GET_CMD
    bra     _CANSendAck
#else
    bra     _CANMain
#endif

; *****

```

AN247

```
; *****
; Function: VOID _CFGWrite()
;          VOID _CFGRead()
;
; PreCondition:WREG1 and FSR0 must be loaded with the count and address of the source data.
; Input: None.
; Output: None.
; Side Effects: N/A.
; Stack Requirements: N/A
; Overview: These routines are technically not functions since they will not
;           return when called. They have been written in a linear form to
;           save space. Thus 'call' and 'return' instructions are not
;           included, but rather they are implied.
;
;           These are the Config memory read/write functions. Read is
;           actually the same for standard program memory, so any read
;           request is passed directly to _PMRead.
;
; *****
_CFGWrite:

#ifdef MODE_SELF_VERIFY      ; Write to config area
    movf    INDF0, W        ; Load data
#else
    movf    POSTINC0, W
#endif

    movwf   TABLAT
    rcall   _UpdateChksum   ; Adjust the checksum
    tblwt*          ; Write the data
    movlw   b'11000100'
    rcall   _StartWrite
    tblrd*+          ; Move the pointers and verify

#ifdef MODE_SELF_VERIFY
    movf    TABLAT, W
    xorwf   POSTINC0, W
    btfss  STATUS, Z
    bsf     ERR_VERIFY
#endif

    decfsz  WREG1, F
    bra     _CFGWrite      ; Not finished then repeat

#ifdef ALLOW_GET_CMD
    bra     _CANSendAck
#else
    bra     _CANMain
#endif

; *****
```

```

; *****
; Function: VOID _EERead()
;           VOID _EEWrite()
;
; PreCondition:WREG1 and FSR0 must be loaded with the count and address of
;               the source data.
; Input:      None.
; Output:     None.
; Side Effects: N/A.
; Stack Requirements: N/A
; Overview: These routines are technically not functions since they will not
;           return when called. They have been written in a linear form to
;           save space. Thus 'call' and 'return' instructions are not
;           included, but rather they are implied.
;
;           This is the EEDATA memory read/write functions.
;
; *****

#ifdef ALLOW_GET_CMD
_EERead:
    clrf    EECON1
    bsf    EECON1, RD        ; Read the data
    movff  EEDATA, POSTINC0
    infsnz EEADR, F        ; Adjust EEDATA pointer
    incf  EEADR, F
    decfsz WREG1, F
    bra   _EERead        ; Not finished then repeat
    bra   _CANSendResponse
#endif

_EEWrite:
www.DataSheet4U.com
#ifdef MODE_SELF_VERIFY
    movf  INDF0, W        ; Load data
#else
    movf  POSTINC0, W
#endif

    movwf EEDATA
    rcall _UpdateChksum    ; Adjust the checksum
    movlw b'00000100'    ; Setup for EEData
    rcall _StartWrite     ; and write

#ifdef MODE_SELF_VERIFY
    clrf  EECON1        ; Read back the data
    bsf  EECON1, RD    ; verify the data
    movf EEDATA, W    ; and adjust pointer
    xorwf POSTINC0, W
    btfss STATUS, Z
    bsf  ERR_VERIFY
#endif

    infsnz EEADR, F        ; Adjust EEDATA pointer
    incf  EEADR, F
    decfsz WREG1, F
    bra   _EEWrite        ; Not finished then repeat

#ifdef ALLOW_GET_CMD
#else
    bra   _CANMain
#endif
; *****

```

AN247

```
; *****
; Function: VOID _CANSendAck()
;           VOID _CANSendResponse()
;
; PreCondition:TXB0 must be preloaded with the data.
; Input: None.
; Output: None.
; Side Effects: N/A.
; Stack Requirements: N/A
; Overview: These routines are technically not functions since they will not
;           return when called. They have been written in a linear form to
;           save space. Thus 'call' and 'return' instructions are not
;           included, but rather they are implied.
;
;           These routines are used for 'talking back' to the source. The
;           _CANSendAck routine sends an empty message to indicate
;           acknowledgement of a memory write operation. The
;           _CANSendResponse is used to send data back to the source.
;
; *****

#ifdef ALLOW_GET_CMD
_CANSendAck:
    btfss    MODE_ACK
    bra     _CANMain
    clrf    TXB0DLC        ; Setup for a 0 byte transmission
    bra     _CANSendMessage
#endif

#ifdef ALLOW_GET_CMD
_CANSendResponse:
    movlw   0x08          ; Setup for 8 byte transmission
    movwf   TXB0DLC      www.DataSheet4U.com
    _CANSendMessage
    btfsc   TXB0CON, TXREQ ; Wait for the buffer to empty
    bra     $ - 2
    movlw   CAN_TXB0SIDH ; Set ID
    movwf   TXB0SIDH
    movlw   CAN_TXB0SIDL
    movwf   TXB0SIDL
    movlw   CAN_TXB0EIDH
    movwf   TXB0EIDH
    movlw   CAN_TXB0EIDL
    movwf   TXB0EIDL
    bsf     CANTX_CD_BIT  ; Setup the command bit
    btfss   CAN_CD_BIT
    bcf     CANTX_CD_BIT
    bsf     TXB0CON, TXREQ ; Start the transmission
    bra     _CANMain
#endif

; *****

END
```

APPENDIX C: LINKER SCRIPT EXAMPLES

Assembly Linker Script for PIC18F452

```
// Linker command file for 18F452 with bootloader
// By R. Fosler

LIBPATH .

CODEPAGE    NAME=boot      START=0x0      END=0x1FF      PROTECTED
CODEPAGE    NAME=prog      START=0x200    END=0x7FFF
CODEPAGE    NAME=idlocs    START=0x200000 END=0x200007   PROTECTED
CODEPAGE    NAME=config    START=0x300000 END=0x30000D   PROTECTED
CODEPAGE    NAME=devid     START=0x3FFFFE END=0x3FFFFF   PROTECTED
CODEPAGE    NAME=eedata    START=0xF00000 END=0xF000FF   PROTECTED

ACCESSBANK  NAME=accessram START=0x0      END=0x7F
DATABANK    NAME=gpr0      START=0x80     END=0xFF
DATABANK    NAME=gpr1      START=0x100    END=0x1FF
DATABANK    NAME=gpr2      START=0x200    END=0x2FF
DATABANK    NAME=gpr3      START=0x300    END=0x3FF
DATABANK    NAME=gpr4      START=0x400    END=0x4FF
DATABANK    NAME=gpr5      START=0x500    END=0x5FF
ACCESSBANK  NAME=accesssfr START=0xF80    END=0xFFF      PROTECTED
```

C18 Linker Script

```
// Sample linker command file for 18F452 with Bootloader
// Ross M. Fosler, 03/27/2002

LIBPATH .

FILES c018i.o
FILES clib.lib
FILES p18f452.lib

CODEPAGE    NAME=boot      START=0x0      END=0x1FF      PROTECTED
CODEPAGE    NAME=vectors   START=0x200    END=0x229      PROTECTED
CODEPAGE    NAME=page      START=0x22A    END=0x7FFF
CODEPAGE    NAME=idlocs    START=0x200000 END=0x200007   PROTECTED
CODEPAGE    NAME=config    START=0x300000 END=0x30000D   PROTECTED
CODEPAGE    NAME=devid     START=0x3FFFFE END=0x3FFFFF   PROTECTED
CODEPAGE    NAME=eedata    START=0xF00000 END=0xF000FF   PROTECTED

ACCESSBANK  NAME=accessram START=0x0      END=0x7F
DATABANK    NAME=gpr0      START=0x80     END=0xFF
DATABANK    NAME=gpr1      START=0x100    END=0x1FF
DATABANK    NAME=gpr2      START=0x200    END=0x2FF
DATABANK    NAME=gpr3      START=0x300    END=0x3FF
DATABANK    NAME=gpr4      START=0x400    END=0x4FF
DATABANK    NAME=gpr5      START=0x500    END=0x5FF
ACCESSBANK  NAME=accesssfr START=0xF80    END=0xFFF      PROTECTED

STACK SIZE=0x100 RAM=gpr5
```

APPENDIX D: SOFTWARE DISCUSSED IN THIS APPLICATION NOTE

All of the software covered in this application note is available as a single WinZip archive file. The archive may be downloaded from the Microchip corporate web site at:

www.microchip.com

www.DataSheet4U.com

Note the following details of the code protection feature on Microchip devices:

- Microchip products meet the specification contained in their particular Microchip Data Sheet.
- Microchip believes that its family of products is one of the most secure families of its kind on the market today, when used in the intended manner and under normal conditions.
- There are dishonest and possibly illegal methods used to breach the code protection feature. All of these methods, to our knowledge, require using the Microchip products in a manner outside the operating specifications contained in Microchip's Data Sheets. Most likely, the person doing so is engaged in theft of intellectual property.
- Microchip is willing to work with the customer who is concerned about the integrity of their code.
- Neither Microchip nor any other semiconductor manufacturer can guarantee the security of their code. Code protection does not mean that we are guaranteeing the product as "unbreakable."

Code protection is constantly evolving. We at Microchip are committed to continuously improving the code protection features of our products. Attempts to break microchip's code protection feature may be a violation of the Digital Millennium Copyright Act. If such acts allow unauthorized access to your software or other copyrighted work, you may have a right to sue for relief under that Act.

Information contained in this publication regarding device applications and the like is intended through suggestion only and may be superseded by updates. It is your responsibility to ensure that your application meets with your specifications. No representation or warranty is given and no liability is assumed by Microchip Technology Incorporated with respect to the accuracy or use of such information, or infringement of patents or other intellectual property rights arising from such use or otherwise. Use of Microchip's products as critical components in life support systems is not authorized except with express written approval by Microchip. No licenses are conveyed, implicitly or otherwise, under any intellectual property rights.

Trademarks

The Microchip name and logo, the Microchip logo, KEELOQ, MPLAB, PIC, PICmicro, PICSTART, PRO MATE and PowerSmart are registered trademarks of Microchip Technology Incorporated in the U.S.A. and other countries.


FilterLab, microID, MXDEV, MXLAB, PICMASTER, SEEVAL and The Embedded Control Solutions Company are registered trademarks of Microchip Technology Incorporated in the U.S.A.

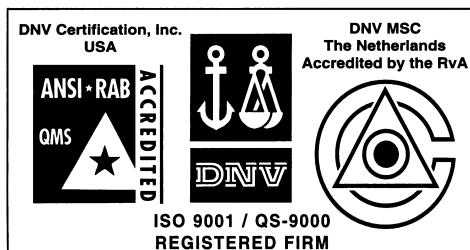
Accuron, dsPIC, dsPICDEM.net, ECONOMONITOR, FanSense, FlexROM, fuzzyLAB, In-Circuit Serial Programming, ICSP, ICEPIC, microPort, Migratable Memory, MPASM, MPLIB, MPLINK, MPSIM, PICC, PICKit, PICDEM, PICDEM.net, PowerCal, PowerInfo, PowerTool, rPIC, Select Mode, SmartSensor, SmartShunt, SmartTel and Total Endurance are trademarks of Microchip Technology Incorporated in the U.S.A. and other countries.

Serialized Quick Turn Programming (SQTP) is a service mark of Microchip Technology Incorporated in the U.S.A.

All other trademarks mentioned herein are property of their respective companies.

© 2003, Microchip Technology Incorporated, Printed in the U.S.A., All Rights Reserved.

 Printed on recycled paper.



Microchip received QS-9000 quality system certification for its worldwide headquarters, design and wafer fabrication facilities in Chandler and Tempe, Arizona in July 1999 and Mountain View, California in March 2002. The Company's quality system processes and procedures are QS-9000 compliant for its PICmicro® 8-bit MCUs, KEELOQ® code hopping devices, Serial EEPROMs, microperipherals, non-volatile memory and analog products. In addition, Microchip's quality system for the design and manufacture of development systems is ISO 9001 certified.



WORLDWIDE SALES AND SERVICE

AMERICAS

Corporate Office

2355 West Chandler Blvd.
Chandler, AZ 85224-6199
Tel: 480-792-7200 Fax: 480-792-7277
Technical Support: 480-792-7627
Web Address: <http://www.microchip.com>

Rocky Mountain

2355 West Chandler Blvd.
Chandler, AZ 85224-6199
Tel: 480-792-7966 Fax: 480-792-4338

Atlanta

3780 Mansell Road, Suite 130
Alpharetta, GA 30022
Tel: 770-640-0034 Fax: 770-640-0307

Boston

2 Lan Drive, Suite 120
Westford, MA 01886
Tel: 978-692-3848 Fax: 978-692-3821

Chicago

333 Pierce Road, Suite 180
Itasca, IL 60143
Tel: 630-285-0071 Fax: 630-285-0075

Dallas

4570 Westgrove Drive, Suite 160
Addison, TX 75001
Tel: 972-818-7423 Fax: 972-818-2924

Detroit

Tri-Atria Office Building
32255 Northwestern Highway, Suite 190
Farmington Hills, MI 48334
Tel: 248-538-2250 Fax: 248-538-2260

Kokomo

2767 S. Albright Road
Kokomo, Indiana 46902
Tel: 765-864-8360 Fax: 765-864-8387

Los Angeles

18201 Von Karman, Suite 1090
Irvine, CA 92612
Tel: 949-263-1888 Fax: 949-263-1338

San Jose

Microchip Technology Inc.
2107 North First Street, Suite 590
San Jose, CA 95131
Tel: 408-436-7950 Fax: 408-436-7955

Toronto

6285 Northam Drive, Suite 108
Mississauga, Ontario L4V 1X5, Canada
Tel: 905-673-0699 Fax: 905-673-6509

ASIA/PACIFIC

Australia

Microchip Technology Australia Pty Ltd
Marketing Support Division
Suite 22, 41 Rawson Street
Epping 2121, NSW
Australia
Tel: 61-2-9868-6733 Fax: 61-2-9868-6755

China - Beijing

Microchip Technology Consulting (Shanghai)
Co., Ltd., Beijing Liaison Office
Unit 915
Bei Hai Wan Tai Bldg.
No. 6 Chaoyangmen Beidajie
Beijing, 100027, No. China
Tel: 86-10-85282100 Fax: 86-10-85282104

China - Chengdu

Microchip Technology Consulting (Shanghai)
Co., Ltd., Chengdu Liaison Office
Rm. 2401-2402, 24th Floor,
Ming Xing Financial Tower
No. 88 TIDU Street
Chengdu 610016, China
Tel: 86-28-86766200 Fax: 86-28-86766599

China - Fuzhou

Microchip Technology Consulting (Shanghai)
Co., Ltd., Fuzhou Liaison Office
Unit 28F, World Trade Plaza
No. 71 Wusi Road
Fuzhou 350001, China
Tel: 86-591-7503506 Fax: 86-591-7503521

China - Hong Kong SAR

Microchip Technology Hongkong Ltd.
Unit 901-6, Tower 2, Metroplaza
223 Hing Fong Road
Kwai Fong, N.T., Hong Kong
Tel: 852-2401-1200 Fax: 852-2401-3431

China - Shanghai

Microchip Technology Consulting (Shanghai)
Co., Ltd.
Room 701, Bldg. B
Far East International Plaza
No. 317 Xian Xia Road
Shanghai, 200051
Tel: 86-21-6275-5700 Fax: 86-21-6275-5060

China - Shenzhen

Microchip Technology Consulting (Shanghai)
Co., Ltd., Shenzhen Liaison Office
Rm. 1812, 18/F, Building A, United Plaza
No. 5022 Binhe Road, Futian District
Shenzhen 518033, China
Tel: 86-755-82901380 Fax: 86-755-82966626

China - Qingdao

Rm. B505A, Fullhope Plaza,
No. 12 Hong Kong Central Rd.
Qingdao 266071, China
Tel: 86-532-5027355 Fax: 86-532-5027205

India

Microchip Technology Inc.
India Liaison Office
Marketing Support Division
Divyasree Chambers
1 Floor, Wing A (A3/A4)
No. 11, O'Shaughnessy Road
Bangalore, 560 025, India
Tel: 91-80-2290061 Fax: 91-80-2290062

Japan

Microchip Technology Japan K.K.
Benex S-1 6F
3-18-20, Shinyokohama
Kohoku-Ku, Yokohama-shi
Kanagawa, 222-0033, Japan
Tel: 81-45-471-6166 Fax: 81-45-471-6122

Korea

Microchip Technology Korea
168-1, Youngbo Bldg. 3 Floor
Samsung-Dong, Kangnam-Ku
Seoul, Korea 135-882
Tel: 82-2-554-7200 Fax: 82-2-558-5934

Singapore

Microchip Technology Singapore Pte Ltd.
200 Middle Road
#07-02 Prime Centre
Singapore, 188980
Tel: 65-6334-8870 Fax: 65-6334-8850

Taiwan

Microchip Technology (Barbados) Inc.,
Taiwan Branch
11F-3, No. 207
Tung Hua North Road
Taipei, 105, Taiwan
Tel: 886-2-2717-7175 Fax: 886-2-2545-0139

EUROPE

Austria

Microchip Technology Austria GmbH
Durisolstrasse 2
A-4600 Wels
Austria
Tel: 43-7242-2244-399
Fax: 43-7242-2244-393

Denmark

Microchip Technology Nordic ApS
Regus Business Centre
Lautrup høj 1-3
Ballerup DK-2750 Denmark
Tel: 45 4420 9895 Fax: 45 4420 9910

France

Microchip Technology SARL
Parc d'Activite du Moulin de Massy
43 Rue du Saule Trapu
Batiment A - 1er Etage
91300 Massy, France
Tel: 33-1-69-53-63-20 Fax: 33-1-69-30-90-79

Germany

Microchip Technology GmbH
Steinheilstrasse 10
D-85737 Ismaning, Germany
Tel: 49-089-627-144-100
Fax: 49-089-627-144-44

Italy

Microchip Technology SRL
Via Quasimodo, 12
20025 Legnano (MI)
Milan, Italy
Tel: 39-0331-742611 Fax: 39-0331-466781

United Kingdom

Microchip Ltd.
505 Eskdale Road
Winnersh Triangle
Wokingham
Berkshire, England RG41 5TU
Tel: 44 118 921 5869 Fax: 44-118 921-5820

02/12/03