

AN360

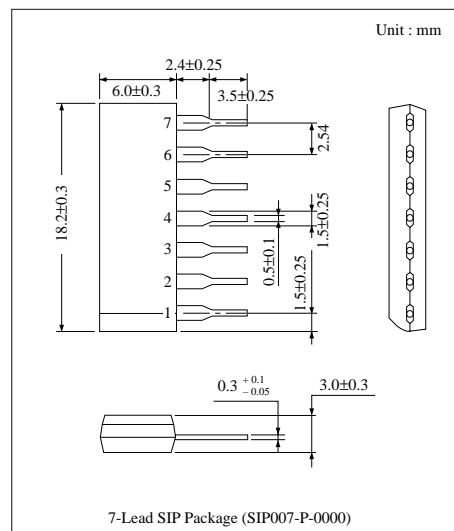
Low Noise Pre-Amplifier Circuit

■ Overview

The AN360 is a low noise high gain integrated circuit designed for equalizer amp. of cassette car stereo and general purpose audio pre-amplifier.

■ Features

- Because of external initial stage emitter resistor, feedback voltage gain is determined only by the external resistance. This assures better temperature characteristics.
- 7-lead single-in-line plastic package



■ Pin Descriptions

| Pin No. | Pin Name |
|---------|-----------------|
| 1 | Collector |
| 2 | Input |
| 3 | Feedback |
| 4 | GND |
| 5 | Decoupling |
| 6 | Output |
| 7 | V _{CC} |

■ Schematic Diagram

