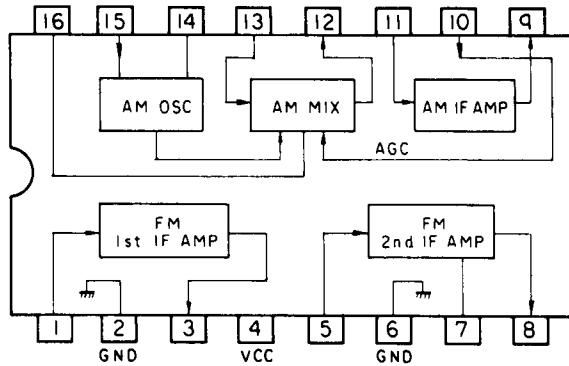


APPLICATION	FM/AM IF AMP	NAME	AN366
MODEL	RK-306	TYPE	SILICONE MONOLITHIC BIPOLAR LINEAR IC

BLOCK DIAGRAM



PIN FUNCTIONS

Pin No.	Standard Voltage (V)	I/O	Function and Operation
1	0.8	IN	FM IF input (1st)
2	0		GND (input)
3	2.2	OUT	FM IF output (1st)
4	4.9		Vcc
5	1.3	IN	FM IF input (2nd)
6	0		GND (output)
7	1.3		Bypass
8	4.8	OUT	FM IF output (2nd)
9	0.8 (5.1)	OUT	AM IF output
10	0.8(1.4)	IN	AM AGC input
11	0.8	IN	AM IF input
12	0.8(0.5)	OUT	AM MIX output
13	0.4(0.7)	IN	AM RF input
14	0.8(1.8)		AM MIX AGC
15	0.8(4.3)	IN	AM OSC input
16	0		Bypass

(V): At AM