

# AN5867K

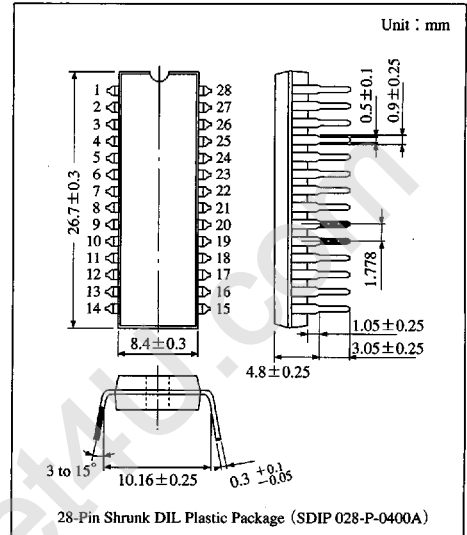
## RGB Interface IC for TV/Monitor/Display

### Overview

The AN5867K is an integrated circuit developed as RGB interface for TV/monitor/display. This IC can output two types of signals (according to primary color or color difference) by the matrix circuit. The built-in tint adjusting circuit can adjust the hue of input signal.

### Features

- Color difference or RGB signal can be output by the matrix circuit.
- External RGB input pin provided
- The hue of color difference and RGB signals can be adjusted.
- Available for on-screen (with shadow switch) and text input.
- Adjustment function of contrast and color are provided.



### Block Diagram

