

# AN7133N

## Dual 5.5W Audio Power Amplifier Circuit

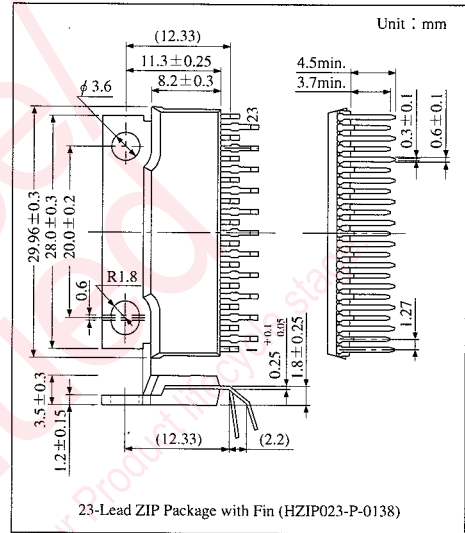
### Overview

The AN7133N is an audio power IC developed for audio output stage (5.5W×2-channel) of radio cassette recorder with CD.

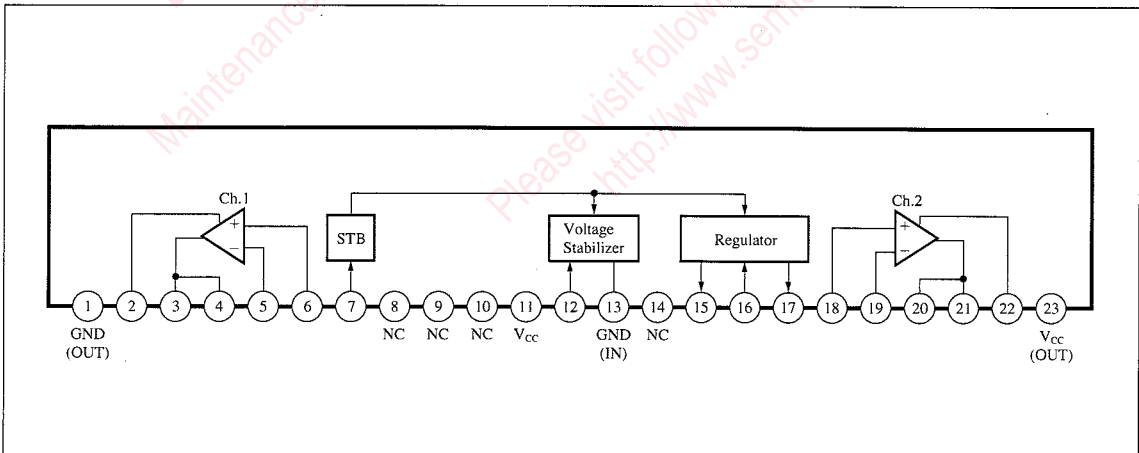
The AN7133N, with 5V/9V regulator built-in, can control all power supplies in combination with a stand-by function.

### Features

- Audio output : 5.5W×2 channels
- 5V/9V regulator built-in
- With stand-by function



### Block Diagram



ICs for  
Audio  
Common  
Use