

AN8135

High Speed Low Power Consumption Bipolar 10-Bit A/D Converter

Overview

The AN8135 is a 10-bit A/D Converter for measurement which employs the high frequency bipolar process to realize the low power consumption.

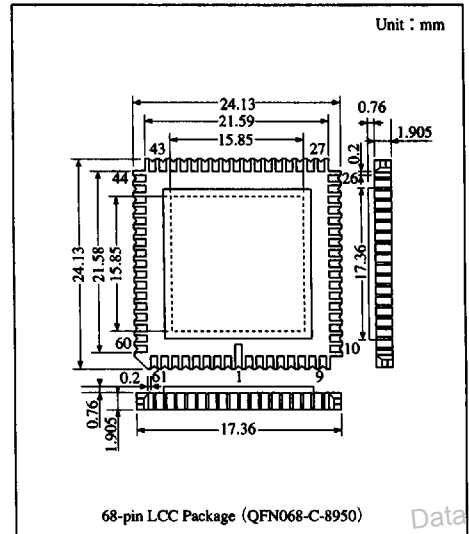
It can operate with single power supply of -5.2V and maximum conversion rate of 100 MSPS, realizing the low error rate.

Features

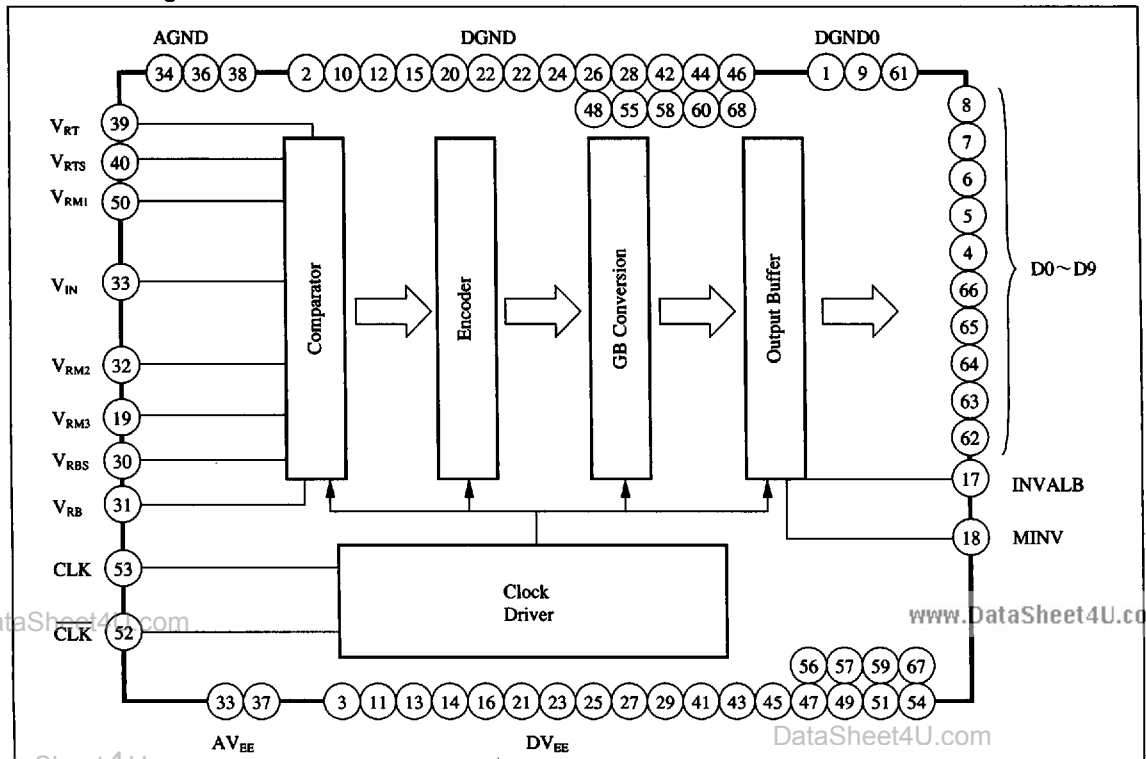
- 10-bit resolution
- Super high speed : maximum conversion rate of 100MSPS (min.)
- Low power consumption : 1.8W (typ.)
- Low input capacitance : 10pF
- Input/Output form : ECL level

Application Field

- Measuring equipment such as digital oscilloscope
- Image processing



Block Diagram



Absolute Maximum Rating (Ta=25°C)

Parameter	Symbol	Rating	Unit
Supply voltage	V _{EE}	-6.0 to +0.5	V
Analogue input voltage	V _{IN}	V _{EE} to +0.5	V
Digital input voltage	V _{CLK} /V _{CLK}	V _{EE} to +0.5	V
Digital output current	I _{D0} to I _{D9}	-20	mA
Reference resistive voltage	I _{RT} /I _{RB}	+20/-20	mA
Reference input voltage	V _{RB} /V _{RT}	V _{EE} to +0.5	V
Power dissipation	P _D	1582.2*	mW
Operating ambient temperature	T _{opr}	0 to 70	°C
Storage temperature	T _{stg}	-55 to +150	°C

* Under Ta=70°C (With no air and heat emitter)

Recommended Operating Conditions (Ta=25°C)

Parameter	Symbol	min	typ	max	Unit
Negative supply voltage	V _{EE}	-5.4	-5.2	-5.0	V
Reference voltage	V _{RTS}	—	0	—	V
	V _{RBS}	—	-2.0	—	V
Analogue input voltage	V _{IN}	V _{RBS}	—	V _{RTS}	V
Digital input voltage	V _{IH}	—	-0.9	—	V
	V _{IL}	—	-1.7	—	V
Clock input pulse width *	t _H	—	5	—	ns

* f_{CLK} = 100MHz

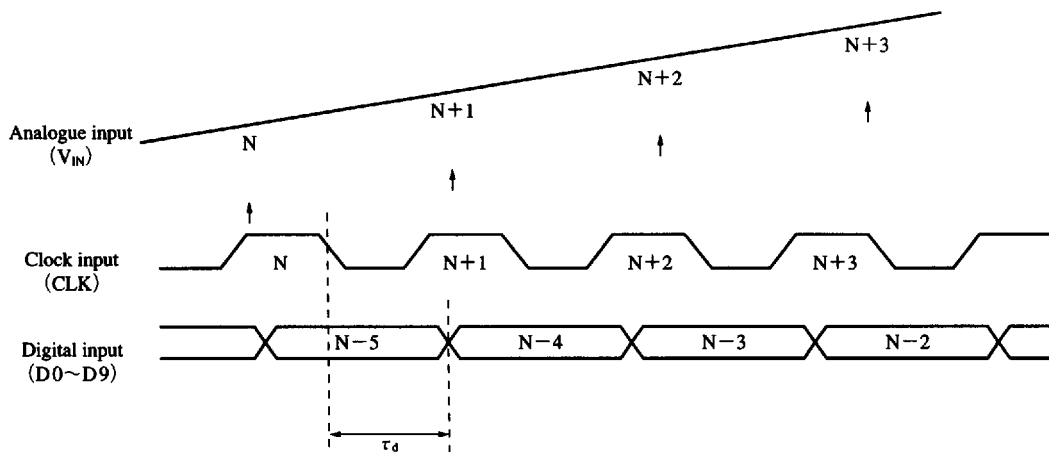
Electrical Characteristics (V_{EE} = 5V, Ta = 25°C)

Parameter	Symbol	Condition	min	typ	max	Unit
Supply current	I _{EE}		-400	-350	—	mA
Reference current	I _{RT}	V _{RTS} = 0V	—	8	14	mA
	I _{RB}	V _{RBS} = -2.0V	-14	-8	—	mA
Input bias current	I _{IN}	V _{IN} = -1.0V	—	220	350	μA
Clock input current	I _{IH}	V _{CLK} = -1.105V	—	—	20	μA
Digital output voltage	V _{OH}	R _L = 100Ω TO V _T = -2.0V	-1.1	—	—	V
	V _{OL}		—	—	-1.6	V
Linearity error	E _L	V _{RTS} - V _{RBS} = 2.0V	—	—	±2.0	LSB
Differential linearity error	E _D	V _{RTS} - V _{RBS} = 2.0V	—	—	±0.6	LSB
Maximum conversion rate	F _{CMAX}		100	—	—	MHz
Input dynamic range			—	2	—	V _{P-P}
Equivalent input impedance *1	R _{IN}	V _{IN} = -1V	—	300	—	kΩ
Input capacitance *1	C _{IN}	V _{IN} = -1V	—	10	—	pF
Error rate *1		f _{CLK} = 100MHz, f _{IN} = 50MHz 12LSB以上	—	—	10 ⁻¹²	tps
Quantization noise *2	SINAD	f _{CLK} = 100MHz, f _{IN} = 50MHz	50	54	—	dB
		f _{CLK} = 100MHz, f _{IN} = 50MHz	42	45	—	dB
Input band *1	BW _F	-3dB, V _{IN} = 2.0V _{PP}	—	100	—	MHz
Clock duty *1	DTY	f _{CLK} = 100MHz	30	50	60	%
Digital output delay *1	τ _d		(6.8)	7	(7.2)	ns

*1 Design reference value but not guaranteed one

*2 Total harmonics distortion included

■ Timing Chart



DataSheet4U.com

■ Output Code

Step	Input signal			Digital output							
	2.000VFS	1.9531mV	STEP	MINV=L				MINV=H			
				INVALB=L		INVALB=H		INVALB=L		INVALB=H	
				M	L	M	L	M	L	M	L
			9876543210		9876543210		9876543210		9876543210		
000	-0.0000000			000000000		111111111		100000000		011111111	
001	-0.0019531			000000001		111111110		100000001		011111110	
.	
.	
511	-0.9980469			011111111		100000000		111111111		000000000	
512	-1.0000000			100000000		011111111		000000000		111111111	
.	
.	
1022	-1.9980489			111111110		000000001		011111110		100000001	
1023	-2.0000000			111111111		000000000		011111111		100000000	

Note) The digital output is reversed in half clock after shift from MINV to INVALB.

DataSheet4U.com

Pin Descriptions

Pin No.	Symbol	Pin name	Standard waveform	Voltage level	Description
35	V_{IN}	Analogue input		-2~0V	It is an input pin of analogue for A/D conversion circuit.
34, 36 38	AGND	Analogue ground		0V	Connect the AGND and DGND with the possible lowest impedance at one point as near as the chip.
33,37	AV_{EE}	Analogue negative power supply pin		-5.2V	It is a power supply pin for analogue circuit block. Connect tantalum capacitor of several μF and ceramic capacitor of 0.1 μF as near as possible to this pin between this pin and AGND.
3, 11 13, 14 16, 21 23, 25 27, 29 41, 43 45, 47 19, 51 54, 56 57, 59 67	DV_{EE}	Digital negative power supply pin		-5.2V	It is a power supply pin for digital circuit block. Connect tantalum capacitor of several μF and ceramic capacitor of 0.1 μF as near as possible to this pin between this pin and DGND.
39 40 50 32 19 31 30	V_{RT} V_{RTS} V_{RM1} V_{RM2} V_{RM3} V_{RB} V_{RBS}	Reference voltage high level, Monitor pin for VRT, Reference voltage middle point level, Reference voltage middle point level, Reference voltage middle point level, Reference voltage middle point level, Reference voltage low level, Monitor pin for VRB		0.03V 0V -0.5V -1.0V -1.5V -2.03V -2.0V	It is used to set the reference voltage for comparator. Normally, V_{RT} is given 0V and V_{RB} is given -2V. Connect tantalum capacitor of several μF and ceramic of 0.1 μF in parallel between each pin and analogue ground. V_{RM1-3} are provided for linearity compensation, which give middle point potential between V_{RTS} and V_{RBS} . However, they are normally opened. V_{RTS} and V_{RBS} are sense pins of V_{RT} and V_{RB} respectively.
2, 10 12, 15 20, 22 24, 26 28, 42 44, 46 48, 55 58, 60 68	DGND	Digital ground		0V	Connect AGND and DGND with the possible lowest impedance at one point as near as possible to the chip.
1, 9, 61	DGND0	Digital ground for output		0V	It is a ground pin for digital output.
53 52	CLK CLK	Clock input	Refer to timing chart.	ECL	It is a clock for sampling. For their timing, refer to the timing chart.
8 7 6 5 4 66 65 64 63 62	D_0 D_1 D_2 D_3 D_4 D_5 D_6 D_7 D_8 D_9	Digital output (LSB) Digital output Digital output Digital output Digital output Digital output Digital output Digital output Digital output (MSB)	Refer to timing chart.	ECL	It is an output pin of TTL Level.
18 17	MINV INVALB	MSB reverse pin, Total bit reverse pin		ECL	Setting the MINV pin to "H" level reverses the data output D_9 . Setting the INVALB pin "H" level reverses the data outputs (D_0 - D_9). The outputs are reversed synchronously with clock.