



# 82526

## CONTROLLER AREA NETWORK CHIP

*Automotive*

- On-Board "MOTEL"
- Multimaster Architecture
- Bus Access Priority by Message
- 2032 Different Message Objects
- Guaranteed Latency Time for High Priority Messages
- Powerful Error Handling
- Data Length to 8 Bytes
- Message Configuration Flexibility
- Broadcast Message Transfer
- Ready Output
- Global Interrupt Disable
- Non-Destructive Bitwise Arbitration
- Two 8-Bit I/O Ports
- NRZ Coding/Decoding with Bit Stuffing
- Programmable Transfer Rate to 1 MBit/Sec
- Programmable Output Driver Configuration
- Programmable Clock Output
- 44-Pin PLCC
- Three Additional  $\overline{CS}$  Outputs

The 82526 Communication Controller is a highly integrated VLSI device which implements the CAN (Controller Area Network) Protocol. Included on the chip are an Interface Management Processor (IMP), Bit Stream Processor (BSP), Bus Timing Logic (BTL), Transceiver Control Logic (TCL), Processor Interface Unit (PIU), Error Management Logic (EML), Clock Generator and a pseudo Dual Port RAM (DPRAM). These hardware modules implement all necessary features of a high performance serial communication protocol. When connected to a microprocessor, the 82526 performs the principal functions of the physical and data link layer. Figure 1 shows a block diagram of the 82526.

The 82526 uses an 8-bit multiplexed address and data bus optimized for operating with Intel's microcontrollers and microprocessors. Other architectures may also be used with the direct connect on board "MOTEL" circuitry.

As shown in Figure 1, the BSP, TCL, BTL and EML are related with Bus Line Logic. The IMP, RAM and PIU are related to the CPU Interface Logic. The logic blocks BSP, BTL, TCL and EML are referred to as the "Serial Interface Unit".

The CPU communicates with the 82526 through the on-chip pseudo dual port RAM which includes global status and control registers. The on-chip memory serves as the communication buffer interface between the CPU and the IMP. The CPU initializes the global status and control registers and creates a data structure (Communication Objects) within the communication buffer for reception and transmission of defined messages.

Commands, data and status transfers take place over the 8-bit parallel bus. The CPU writes data to the 82526 using  $\overline{CS}$ , ALE and  $\overline{WR}$  signals and reads the 82526 received data and status information using the  $\overline{CS}$ , ALE and  $\overline{RD}$  signals. The 82526 uses the interrupt line to alert the CPU of errors or data received.

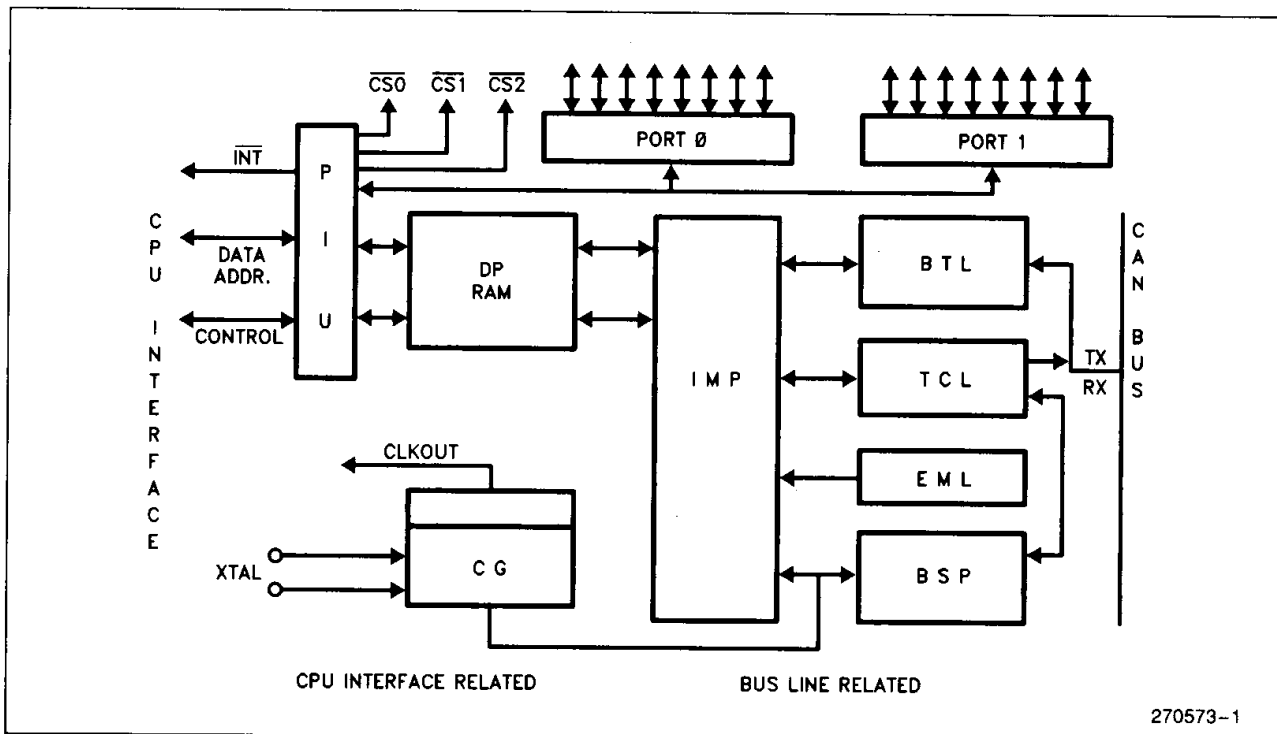


Figure 1. 82526 Block Diagram

270573-1

3

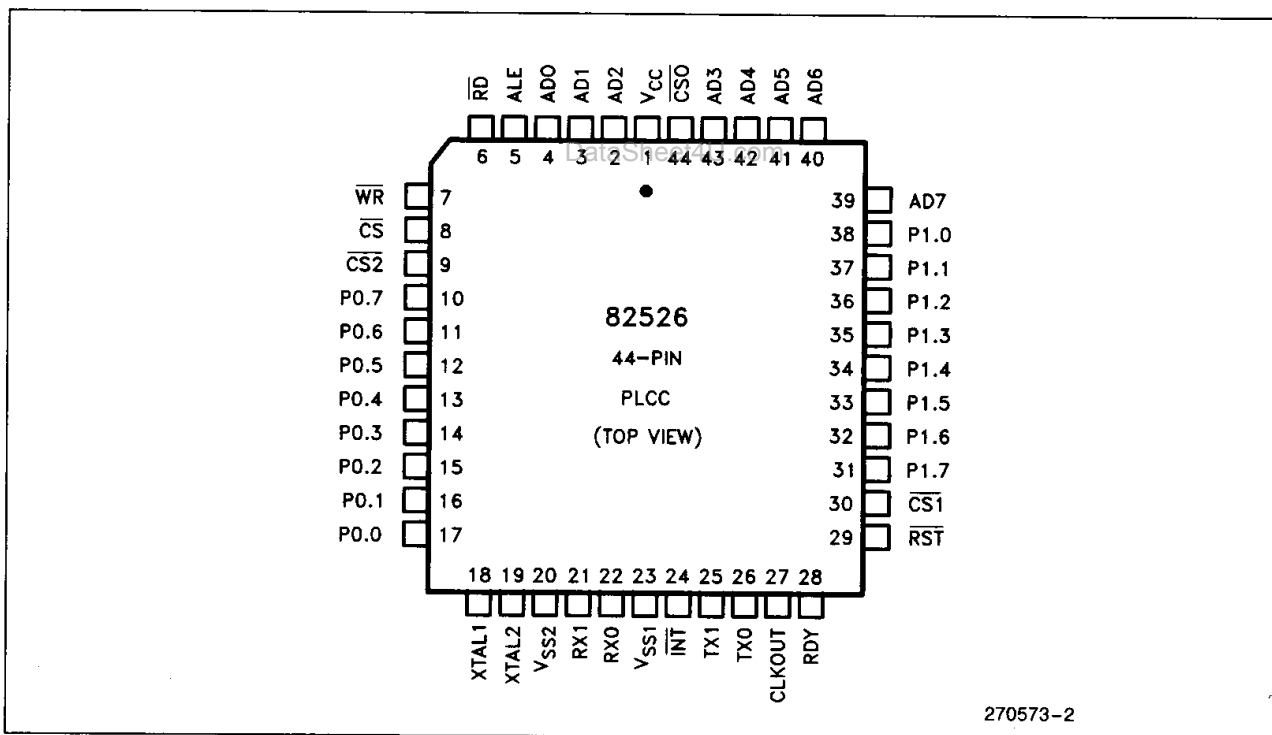


Figure 2. 44-PIN PLCC Package

270573-2

**ABSOLUTE MAXIMUM RATINGS**

Ambient Temperature

under Bias ..... -40°C to +125°C

Storage Temperature ..... -65°C to +150°C

**ELECTRICAL CHARACTERISTICS****DC CHARACTERISTICS**  $V_{CC} = 4.5V$  to  $+5.5V$ ;  $T_A = -40^\circ C$  to  $+125^\circ C$ 

Symbol	Parameter	Min	Typ	Max	Conditions
$V_{IL}$	Input Low Voltage (All except XTAL1)	$V_{SS} - 0.5V$		0.8V	
$V_{IL1}$	Input Low Voltage (XTAL1)	$V_{SS} - 0.5V$		$0.2V_{CC} - 0.1$	
$V_{IH}$	Input High Voltage (All except XTAL1, $\overline{RST}$ , ALE, $\overline{CS}$ )	2.0V		$V_{CC} + 0.5$	
$V_{IH1}$	Input High Voltage ( $\overline{RST}$ )	3.5V		$V_{CC} + 0.5$	
	Hysteresis on $\overline{RST}$	200 mV			
$V_{IH2}$	Input High Voltage (ALE, $\overline{CS}$ )	$0.5 V_{CC}$		$V_{CC} + 0.5$	
$V_{IH3}$	Input High Voltage (XTAL1)	$0.7 V_{CC}$		$V_{CC} + 0.5$	
$V_{OL}$	Output Low Voltage (All Outputs except AD0-7, $\overline{INT}$ , RDY, CLKOUT, TX0, TX1)			0.4V	$I_{OL} = 1.6$ mA
$V_{OL1}$	Output Low Voltage (AD0-7)			0.4	$I_{OL} = 3.2$ mA
$V_{OL2}$	Output Low Voltage (RDY, $\overline{INT}$ )			0.4V	$I_{OL} = 5$ mA
$V_{OH}$	Output High Voltage (All Outputs except AD0-7, $\overline{CS0}$ , $\overline{CS1}$ , $\overline{CS2}$ , TX0, TX1, CLKOUT)	2.5V			$I_{OH} = -80$ $\mu A$
$V_{OH1}$	Output High Voltage (AD0-7, $\overline{CS0}$ , $\overline{CS1}$ , $\overline{CS2}$ )	$0.6 V_{CC}$			$I_{OH} = -400$ $\mu A$
		$0.7 V_{CC}$			$I_{OH} = -80$ $\mu A$
$I_{LK}$	Input Leakage Current (Except Port0/Port1)			$\pm 10$ $\mu A$	$V_{SS} < V_{IN} < V_{CC}$
$I_{IL}$	Low Level Input Current (Port0/Port1)			-50 $\mu A$	$V_{IN} = 0.4V$
$I_{TL}$	Logical 1 to 0 Transition Current (Port0/Port1)			-750 $\mu A$	$V_{IN} = 2V$
$I_{LT}$	Latch-up Trigger Current			$\pm 80$ mA	
$C_{IO}$	Pin Capacitance			10 pF	@1 MHz, 25°C
$I_{CC}$	Supply Current		22 mA	33 mA	$F_{XTAL} = 16$ MHz
ISM	Sleep Mode Supply Current		1.2 mA	2.2 mA	$F_{XTAL} = 1$ MHz
			5.5 mA	8.5 mA	$F_{XTAL} = 16$ MHz
$I_{OC}$	Comparator Offset Current			$\pm 1$ $\mu A$	
$I_{BC}$	Comparator Bias Current			$\pm 1$ $\mu A$	

**AC CHARACTERISTICS**

Conditions:  $T_A = -40^\circ\text{C}$  to  $+125^\circ\text{C}$ ,  $V_{CC} = 5V \pm 10\%$ ,  $V_{SS} = 0V$ , Port 2 outputs:  $CL = 150\text{ pF}$ , All other outputs:  $CL = 80\text{ pF}$

Symbol	Parameter	Min	Typ	Max
$1/T_{XTAL}$	Oscillator Frequency	1 MHz		16 MHz
$T_{AVLL}$	Address Valid to ALE Low	20 ns		
$T_{LLAX}$	Address Hold after ALE Low	12 ns		
$T_{LLDV}$	ALE or $\overline{CS}(1)$ Low to Valid Data Out			$5 T_{XTAL} + 80\text{ ns}^{(8)}$
$T_{RHDZ}$	Data Float after $\overline{RD}$ High	6 ns		50 ns
$T_{RLDV}$	Valid Data Out Delay from Read Control			80 ns
$T_{QVWH}$	Input Data Setup to $\overline{WR}$ High	20 ns		
$T_{WHQX}$	Input Data Hold after $\overline{WR}$ High	18 ns		
$T_{WHDV}$	$\overline{WR}$ High to Output Data Valid on Port 0 or Port 1			$4 T_{XTAL} + 70\text{ ns}$
$T_{WHLL}$	$\overline{WR}$ High to Next ALE or $\overline{CS}$ Low <sup>(1, 2)</sup>	$2 T_{XTAL} + 5\text{ ns}$		
$T_{WHWL}$	Time between Writes	$4 T_{XTAL} + 5\text{ ns}$		
$T_{LLWH}$	ALE or $\overline{CS}(1)$ Low to $\overline{WR}$ High	$4 T_{XTAL} + 10\text{ ns}$		
$T_{ALAL}$	Time between ALE Falling Edges (or $\overline{CS}$ ) <sup>(1)</sup>	$8 T_{XTAL} + 5\text{ ns}$		
$T_{LLYV}$	End of ALE to RDY Setup			65 ns
$T_{LLYH}$	End of ALE to RDY High <sup>(4)</sup> (with 1k External Pull-Up)	$4 T_{XTAL} + 65\text{ ns}$		$6 T_{XTAL} + 65\text{ ns}$
$T_{LCSL}$	ALE or $\overline{CS}$ Low to $\overline{CS}0-1-2$ Low <sup>(1, 5)</sup>			45 ns
$T_{HCSH}$	$\overline{CS}0-1-2$ High after ALE or $\overline{CS}$ High <sup>(3, 5)</sup>			70 ns
$T_{AVCS}$	Address Valid to $\overline{CS}0-1-2$ Low <sup>(6)</sup>			40 ns
$T_{CSSH}$	$\overline{CS}$ Active Hold after $\overline{RD}$ or $\overline{WR}$ High <sup>(7)</sup>	0 ns		

**NOTES:**

1. Whichever falling edge is last.
2. Some pipe-lining of the write accesses is possible. This spec is important mainly when processor speed is higher than 82526 speed (use of the RDY output ...).
3. Whichever rising edge comes first.
4. RDY is an open drain output (so is  $\overline{INT}$ ).
5. Timings valid on ALE falling or rising edges only if ALE is used to strobe the  $\overline{CS}0-1-2$  outputs (default mode). If the other mode is programmed by writing 1 to bit 7 of address 253, the new state starts propagating to the  $\overline{CS}0-1-2$  outputs as soon as a stable address has been decoded (providing that  $\overline{CS}$  is also valid).
6. Timing valid only when ALE is not used to strobe the  $\overline{CS}0-1-2$  outputs. In this mode,  $T_{HCSH}$  also applies on  $\overline{CS}$  rising edge and  $T_{LCSL}$  on  $\overline{CS}$  falling edge.
7.  $\overline{CS}$  must be active low with  $\overline{RD}$  or  $\overline{WR}$  rising edge for proper completion of the read or write access.
8. If  $T_{LLDV}$  is too slow for the host microcontroller, a double read mechanism can be implemented. For details, contact an Intel representative.

**Physical Layer Specifications** Load Condition: 80 pF

RX0/RX1	Min	Max	Conditions
Input Voltage	$V_{SS} - 0.5V$	$V_{CC} + 0.5V$	
Common Mode Range	$V_{SS} + 1.0V$	$V_{CC} - 1.0V$	(1)
Differential Input Threshold	$\pm 50$ mV		(1)

TX0/TX1(5)	Min	Max	Conditions
Source Current	-3.0 mA		$V_{OUT} = V_{CC} - 0.4V$
	-6.0 mA		$V_{OUT} = V_{CC} - 1.0V$
Sink Current	10.0 mA		$V_{OUT} = 0.4V$
	20.0 mA		$V_{OUT} = 1.0V$
Maximum Permitted Source Current (TX0, TX1 Together)		-8.0 mA	
Maximum Permitted Sink Current (TX0, TX1 Together)		22.0 mA	
Rise Time		20 ns	(4)
Fall Time		15 ns	(4)

**CLKOUT Specifications**

CL = 50 pF	Min	Max	Conditions
CLKOUT frequency (1/T)	$f_{XTAL}/30^{(3)}$	16 MHz	
Rise Time(4)		15 ns	
Fall Time(4)		15 ns	
Output Low Voltage		$0.2 V_{CC} - 0.1$	
Output High Voltage	$0.7 V_{CC}$		
Output Duty Cycle is 50% if Clock Divider Register Not Equal		0FH	
Output Duty Cycle Equal XTAL If Clock Divider Register Equal		0FH	

Internal Delay Time(2, 6)	Min	Max	Minimum Differential Input Threshold	Common Mode Range
$t_{(IN1)}$		187 ns	50 mV	$V_{SS} + 1.0V$ to $V_{CC} - 1.0V$
$t_{(IN2)}$		137 ns	100 mV	$V_{SS} + 1.0V$ to $V_{CC} - 1.0V$
$t_{(IN3)}$		127 ns	100 mV	$V_{SS} + 1.5V$ to $V_{CC} - 1.0V$

**NOTES:**

- See Internal Delay Times.
- The Internal Delay Time is given by the sum:  $t_{(internal\ logic)} + t_{(internal\ output\ driver)} + t_{(internal\ comparator)}$ .
- $F_{OUT} = F_{XTAL}/R$  with  $R = 1, 2, 4, 6, 8, \dots, 2 \times r$  and  $r_{MAX} = 15$ .
- Measured between  $0.2 V_{CC} - 0.1$  and  $0.7 V_{CC}$ .
- Push-pull mode.
- The total delay time from transmit to sample point =  $t_{(total\ delay)} = t_{(internal\ delay)} + t_{(external\ logic)} + t_{(propagation\ delay)}$ .

## EXTERNAL CLOCK DRIVE

Symbol	Parameter	Min	Max	Units
$1/T_{CLCL}$	Oscillator Frequency	1	16	MHz
$T_{CHCX}$	High Time	20		ns
$T_{CLCX}$	Low Time	20		ns
$T_{CLCH}$	Rise Time		20	ns
$T_{CHCL}$	Fall Time		20	ns

## EXTERNAL CLOCK DRIVE WAVEFORM

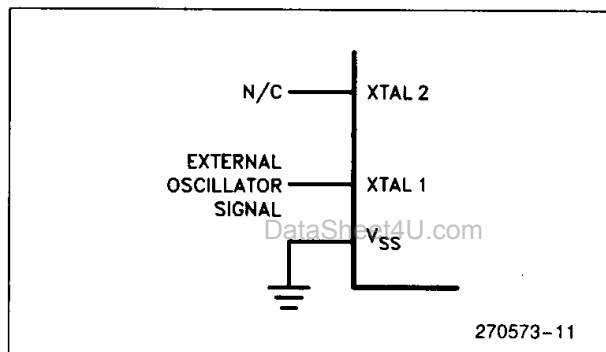
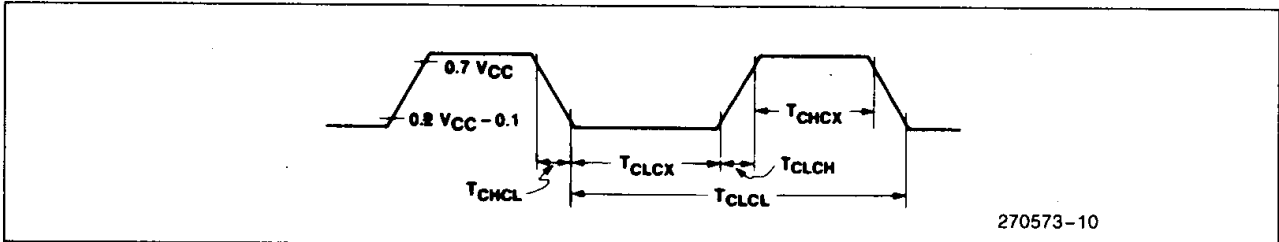
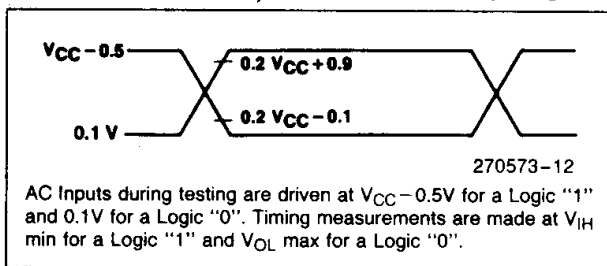
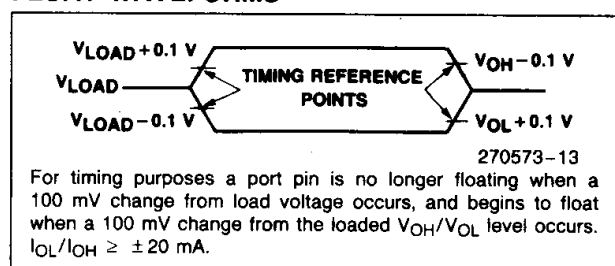


Figure 1. External Clock Drive Configuration

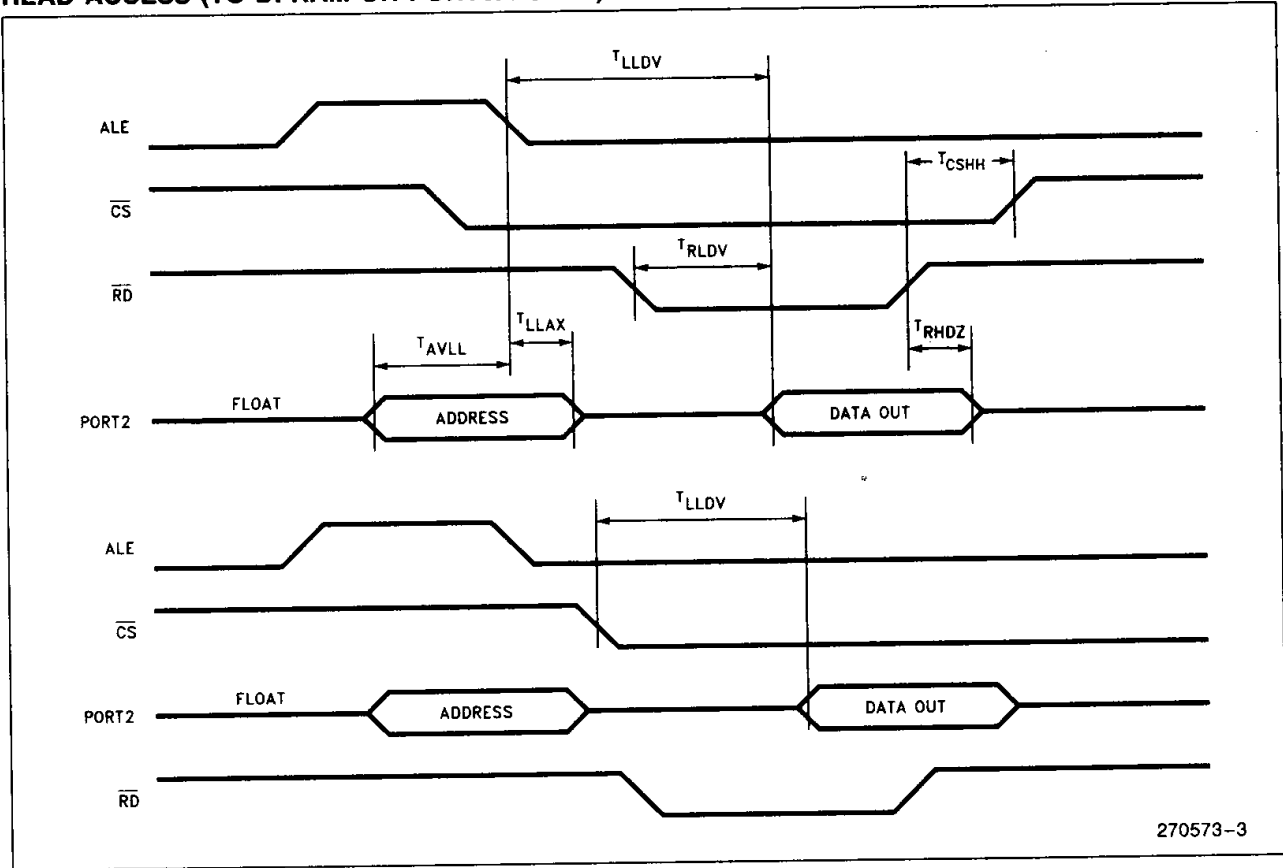
## AC TESTING INPUT, OUTPUT WAVEFORMS



## FLOAT WAVEFORMS



**READ ACCESS (TO DPRAM OR PORT0/PORT1)**

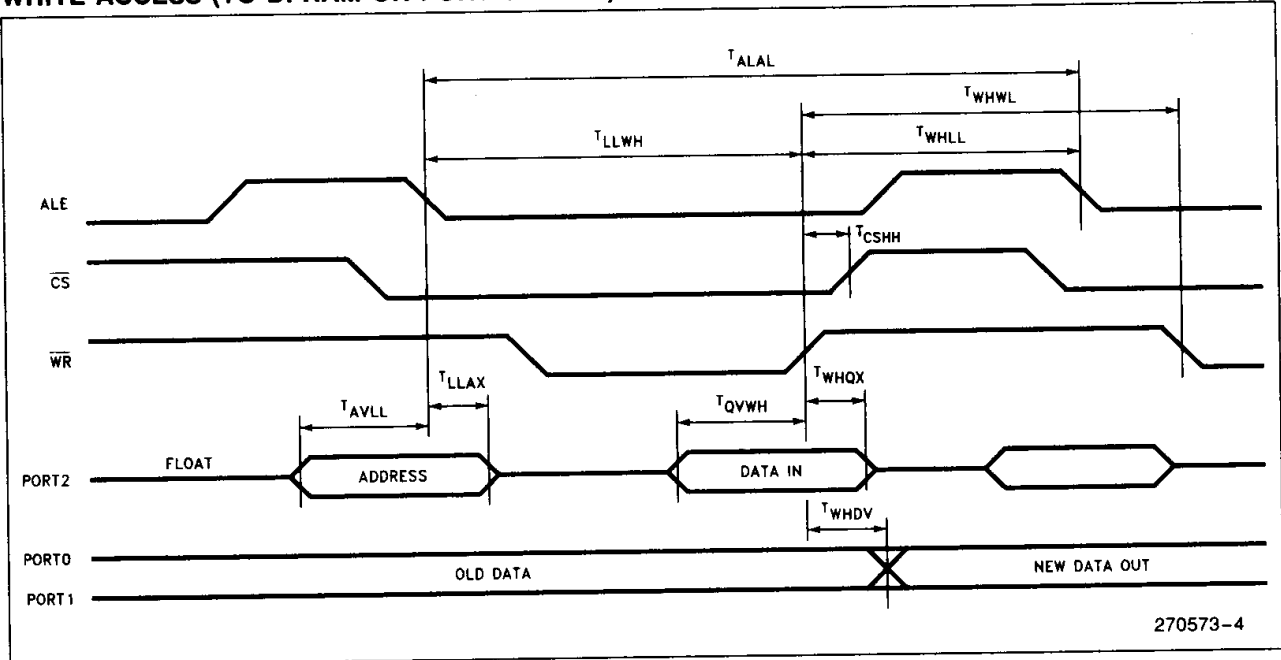


et4U.com

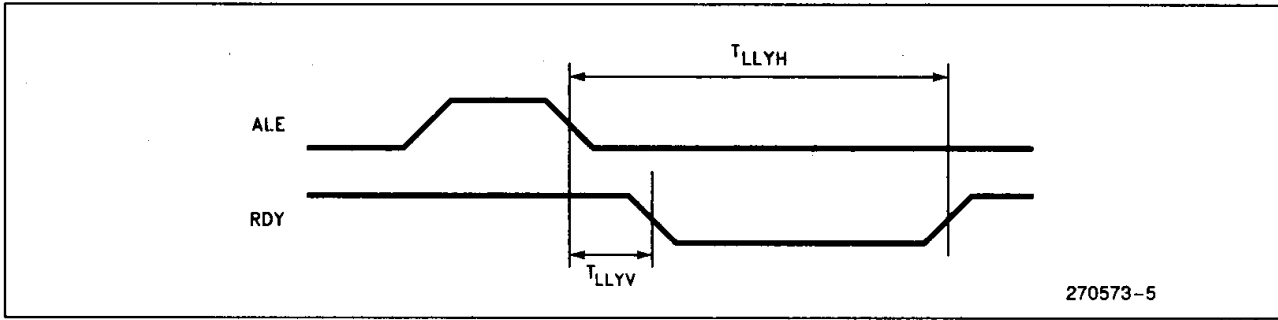
DataSheet4U.com

DataShee

**WRITE ACCESS (TO DPRAM OR PORT0/PORT1)**

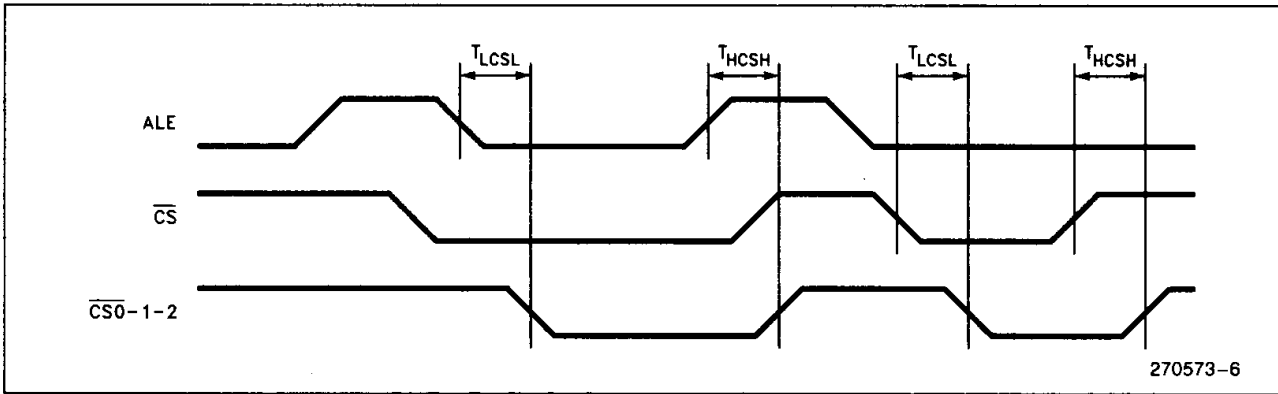


### READY (RDY) OUTPUT TIMING



### $\overline{CS}0-1-2$ OUTPUTS TIMING

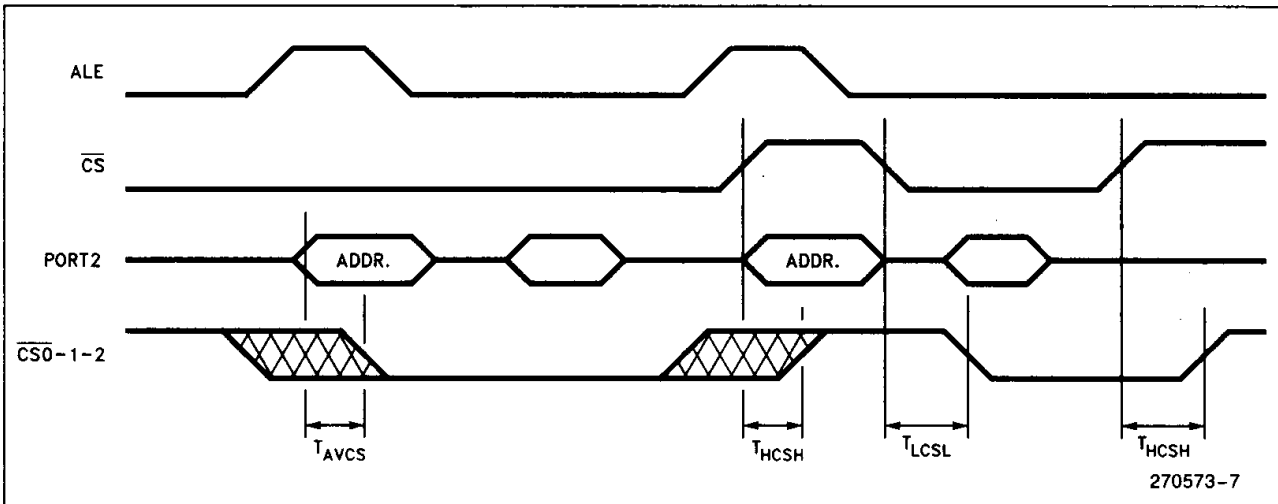
Mode programmed: outputs change on ALE or  $\overline{CS}$  falling edge (whichever comes last).



3

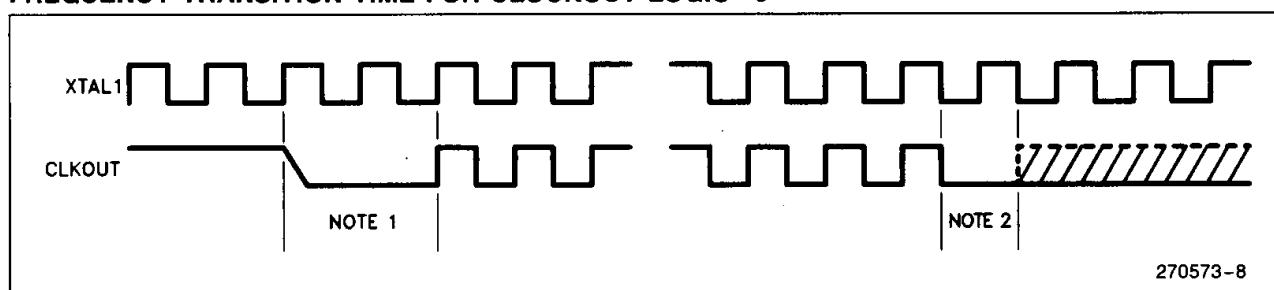
### $\overline{CS}0-1-2$ OUTPUTS TIMING

Mode programmed: outputs change when ALE is high.





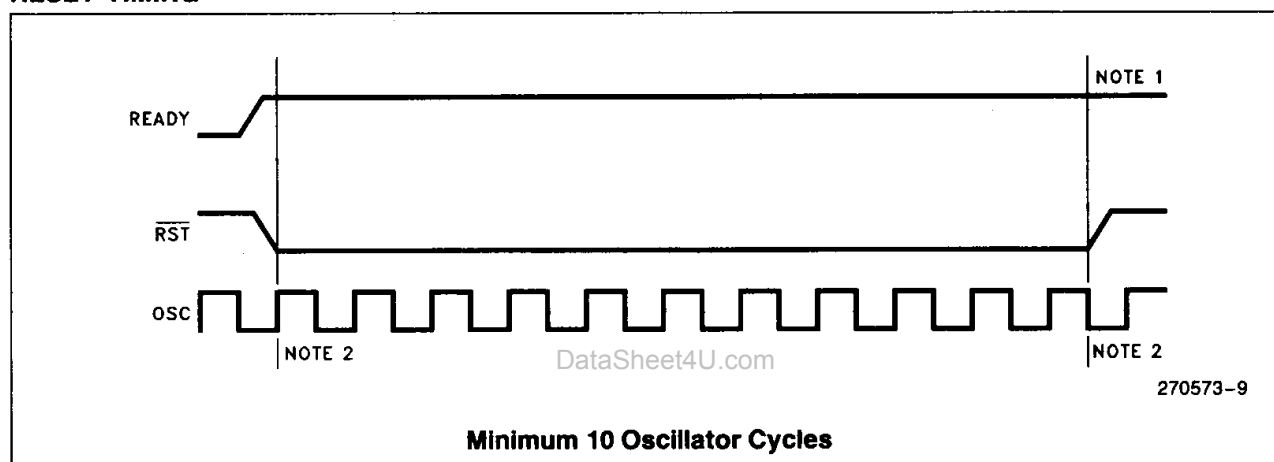
### FREQUENCY TRANSITION TIME FOR CLOCKOUT LOGIC "0"



#### NOTES:

1.  $F_{OUT} = F_{XTAL}/\text{Divider Register} \rightarrow F_{OUT} = F_{XTAL} \text{ max Logic "0"} = 2 T_{XTAL}$
2.  $F_{OUT} = F_{XTAL} \rightarrow F_{OUT} = F_{XTAL}/\text{Divider Register}$   
 $\text{max Logic "0"} = 1.5 T_{XTAL} \text{ If Divider Register} = 2$   
 $\text{max Logic "0"} = (\text{Divider Register} - 1) XTAL \text{ if Divider Register} > 2$

### RESET TIMING



#### NOTES:

1. Ready must not be pulled low during reset.
2. Reset timing measure from rising edge to rising edge of OSC.

### DATA SHEET REVISION SUMMARY

The following are the differences between the previous 82526 data sheet and this new data sheet (rev. -003):

1. I<sub>OC</sub> and I<sub>BC</sub> added to page 3-42.