



HIGH-DENSITY MULTI CHANNEL OC-48 LAYOUT GUIDELINES FOR THE Si5100 AND Si5110

Introduction

OC-48 small form-factor hot-pluggable modules (SFP) allow designers to place a large number of OC-48 links in a relatively small amount of space. As the density increases, adjacent channels are more likely to interfere with each other. When the Si5110 or Si5100 OC-48 transceivers are used to receive and transmit through the SFP module, it is necessary to minimize the adjacent channel coupling in order to meet the transmit jitter generation requirements.

Background

The oscillator that generates the timing for the transmit data within the transceiver stores energy in electric and magnetic fields during oscillation. The magnetic fields extend several inches (centimeters) from the device but decrease in magnitude at a rate inversely proportional to the square of the distance. Consequently, distance is key to minimizing the adjacent channel coupling.

In addition, energy from other sources can couple into the device through capacitive and mutually-inductive means. These paths effectively reduce the distance that an adjacent carrier appears.

Most materials do not provide any change in the permeability of the region at RF and microwave frequencies (Refer to *Noise Reduction Techniques in Electronic Systems, 2nd Edition* 1988, pp182-7 by Henry W. Ott). The most notable exception is metal. Completely surrounding magnetic fields with sufficiently thick metal isolates the fields.

Layout Guidelines

The following layout guidelines are based on results obtained from an experimental board as well as general best-practice layout principles. The implementation of these recommendations should be straightforward.

Adjacent Channel Traces (High-Speed and TTL)

Since the magnetic fields extend beyond the transceiver device, mutual inductance exists between the oscillator and the surrounding metal (traces, power planes, heat-sinks, etc.). To minimize the effect of switching currents from both TTL and high-speed I/O, these traces should be run on stripline layers. With a stripline structure, at least one power plane will isolate the traces from the oscillator's magnetic fields, thereby reducing the coupling.

In addition, adjacent devices can couple to surrounding devices if their TTL or high-speed traces can couple to each other. Since PCB fabrication does not allow for solid walls perpendicular to the plane of the board, a "wall" of vias can be used to isolate nearby traces as shown in Figure 1. Vias should be placed along the axis of propagation no farther than 100 mil apart.

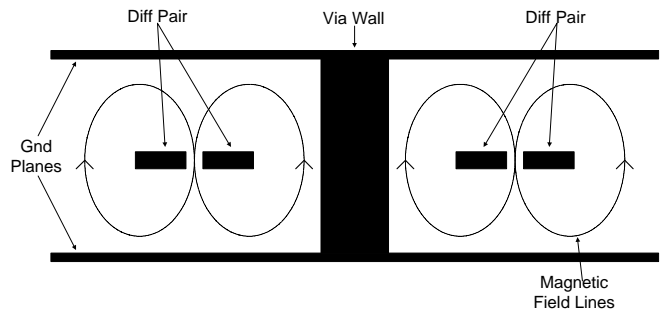


Figure 1. Stripline Via Wall Isolation

Power Supply Isolation (1.8 V and 3.3 V)

The oscillator within the transceiver relies on a clean power supply to provide very low generated jitter. Noise/interference from adjacent ICs couples electrically through the power planes. Each transceiver device should operate on a separate power island for both the 1.8 V and 3.3 V supplies. Ferrite beads should be used to isolate the islands as shown in Figure 2.

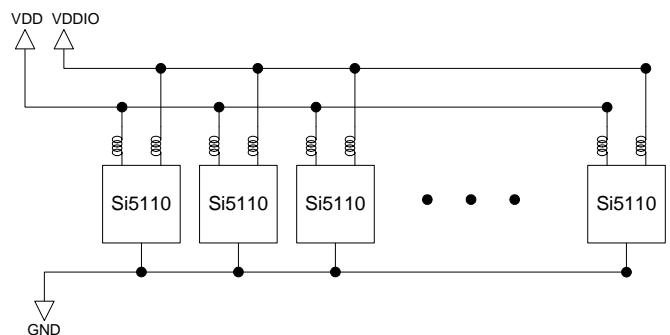


Figure 2. Power Supply Isolation

Distance

Distance is fundamentally important when observing coupling. Adjacent Si5110s should be physically separated by no less than 300 mil (7.6 mm). Adjacent channels can be further separated if alternating transceiver devices are located on opposite sides of a PCB (see Figure 3) or if alternating devices have shorter and longer traces to/from the associated SFP module (see Figure 4).

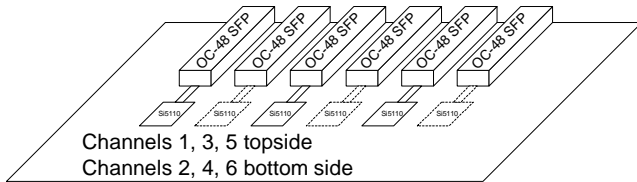


Figure 3. Staggered Device Placement (Opposite Side)

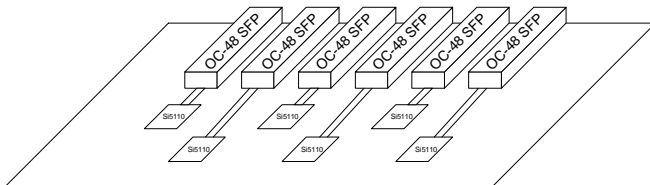


Figure 4. Si5110 Staggered Device Placement (Same Side)

Heat-Sinks

The Si5110 and Si5100 do not normally require a heat-sink and can operate with ambient temperatures at 85 °C during their lifetime. However, if metal heat sinking is required, the minimum spacing between devices will need to be increased because a metal heat sink increases the device-to-device coupling.

If metal heat sinks are attached to a common metal shell, it is necessary to separate the heat-sinks above the top-side of the Si5110 or Si5100 by greater than 125 mil. The 125 mil minimum-height gap can be filled by non-metallic heat transfer materials. See Figure 5.

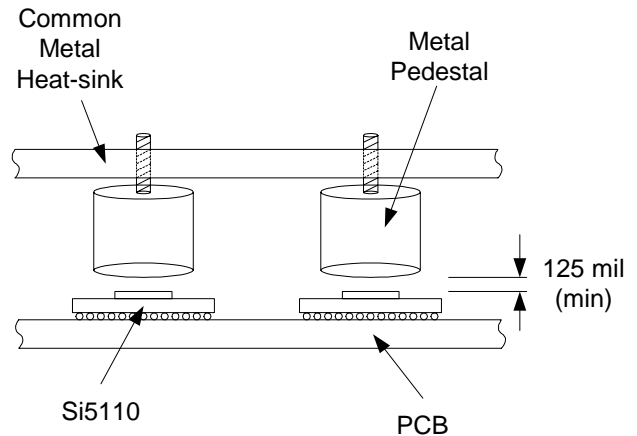


Figure 5. Common Heat-Sink Height Separation Requirement

Summary

The Si5110 and Si5100 devices are a perfect match for OC-48 SFP modules in both size and feature set. However, care must be taken to minimize interference between adjacent channels on a multi-channel card. Considering the physical channel spacing, power supply filtering, and heat-sinking early in the design will help reduce costly PCB redesigns. For further technical questions regarding the Si5110, and Si5100, please contact a Silicon Laboratories application engineer.

www.DataSheet4U.com

Notes:

www.DataSheet4U.com

Contact Information

Silicon Laboratories Inc.

4635 Boston Lane
Austin, TX 78735
Tel: 1+(512) 416-8500
Fax: 1+(512) 416-9669
Toll Free: 1+(877) 444-3032
Email: productinfo@silabs.com
Internet: www.silabs.com

www.DataSheet4U.com

The information in this document is believed to be accurate in all respects at the time of publication but is subject to change without notice. Silicon Laboratories assumes no responsibility for errors and omissions, and disclaims responsibility for any consequences resulting from the use of information included herein. Additionally, Silicon Laboratories assumes no responsibility for the functioning of undescribed features or parameters. Silicon Laboratories reserves the right to make changes without further notice. Silicon Laboratories makes no warranty, representation or guarantee regarding the suitability of its products for any particular purpose, nor does Silicon Laboratories assume any liability arising out of the application or use of any product or circuit, and specifically disclaims any and all liability, including without limitation consequential or incidental damages. Silicon Laboratories products are not designed, intended, or authorized for use in applications intended to support or sustain life, or for any other application in which the failure of the Silicon Laboratories product could create a situation where personal injury or death may occur. Should Buyer purchase or use Silicon Laboratories products for any such unintended or unauthorized application, Buyer shall indemnify and hold Silicon Laboratories harmless against all claims and damages.

Silicon Laboratories, Silicon Labs, ISModem, and ISOCap are trademarks of Silicon Laboratories Inc.

Other products or brandnames mentioned herein are trademarks or registered trademarks of their respective holders.