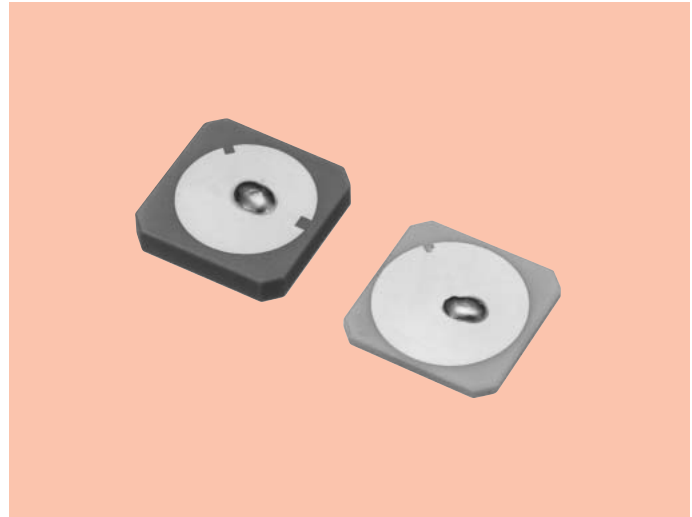


# GPS Antenna ANT-J20

Telecommunication component

## OUTLINE

This is a highly sensitive, efficient antenna for receiving GPS satellite waves. The antenna element can be supplied separately, and so it optimum for small sets, such as portable equipment.



## FEATURES

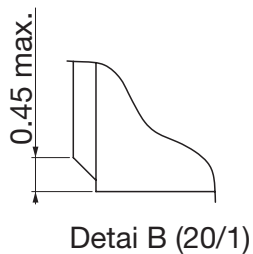
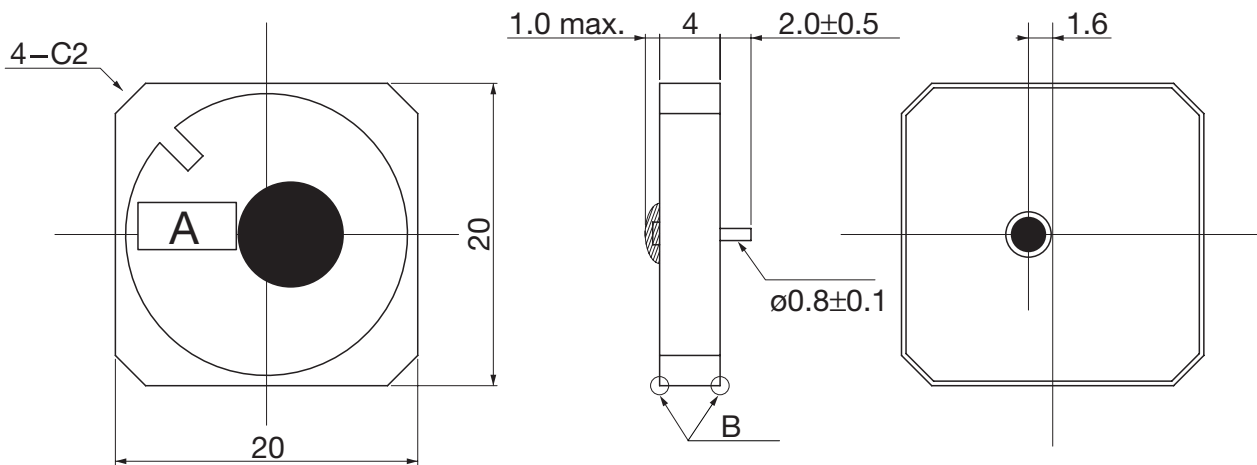
1. Small antenna element (20mm × 20mm, thickness t=2 or 4mm).
2. Thickness can be selected to suit the desired gain (t=2 or 4mm).
3. The antenna pattern can be custom designed to match the specified case.

## SPECIFICATIONS

Item		Specifications
Antenna	Reception frequency	1575.42±1.023MHz
	Reception polarization	Right rotating polarization
	Antenna gain	+0.5~-1.5dBi typ. ★1.
	Output impedance	50Ω
	Minimum Order	50,000Pcs/Year

Conditions: 22mm×22mm grand board.

**DIMENSIONS**



Unit : mm

Note

1. Stamp the Manufacturing Date Code on part A.