

Broad Band Ceramic Antenna

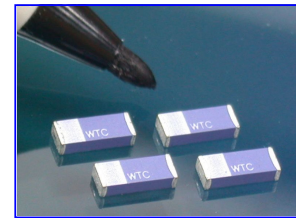
RFANT5220110A0T Series

LTCC Multi Layer Chip Antenna

– Broad Band Type

For ISM Band 2.4GHz Application

Patent Pending



FEATURES

- Surface Mounted Devices with a small dimension of 5.2 x 2.0 x 1.1 mm³ meet future miniaturization trend.
- Embedded and LTCC (Low Temperature Co-fired Ceramic) technology is able to future integrate with system design as well as beautifying the housing of final product.
- High Stability in Temperature / Humidity Change

ELECTRICAL CHARACTERISTICS

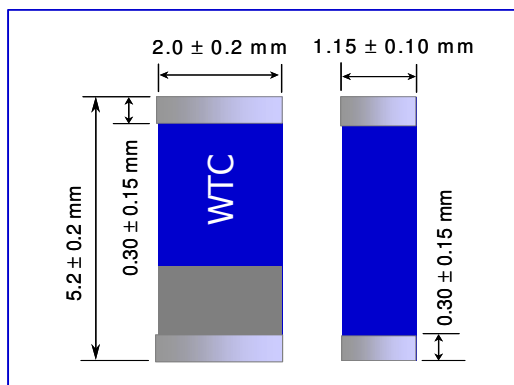
Item	Specification
Central frequency	2.450 GHz (Note-1)
Bandwidth	150MHz (typical)
Gain	0 ~ 2 dBi
VSWR	2 max.
Polarization	Linear
Azimuth Beamwidth	Omni-directional
Impedance	50Ω

*Note 1. Central Frequency should be defined after customers' application approval.

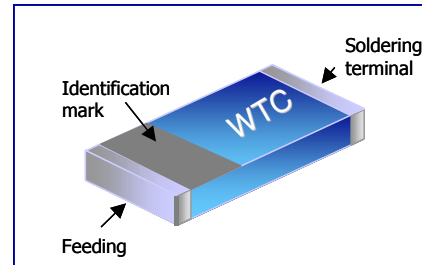
APPLICATIONS

- Bluetooth
- Wireless LAN
- HormRF
- ISM band 2.4GHz applications.

DIMENSION

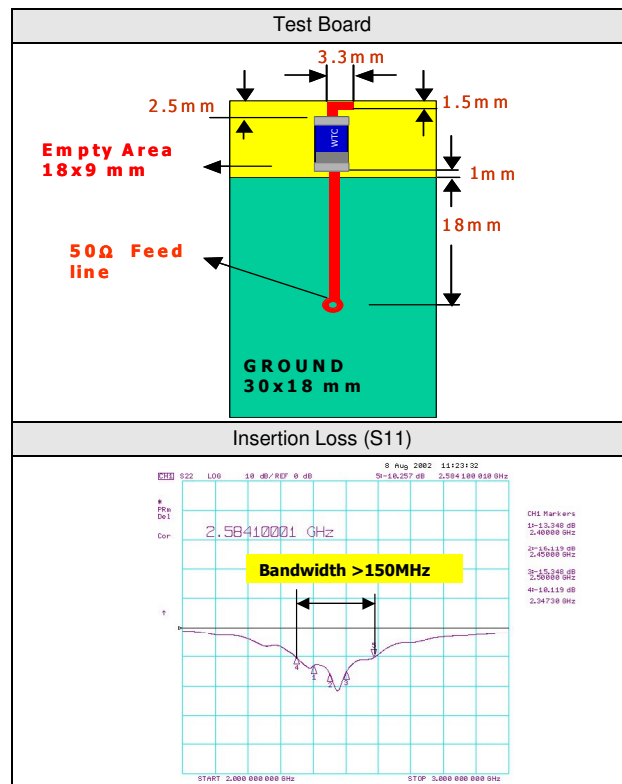


CONSTRUCTION



Outline of 2.4GHz Chip Antenna

Test Board



CONTACT INFORMATION

For more information, please contact with **Walsin Technology Corporation.**

Tel : 886-3-475-8711
 Fax : 886-3-475-5197
 E mail : info@passivecomponent.com
 Web Site : http://www.passivecomponent.com

Specification subject to change without prior notice.