

## Low Power DisplayPort™ to LVDS Converter with Single Channel 18-bpp Output

### Features

- All software compatible with AMD platform driver/BIOS stacks
  - Designed and fully tested with extensive APU-based platform test requirements
  - No additional firmware and EEPROM to manage LCD dimming and video timing control
- Two package options available to support for new and running-change platforms (36 & 64-QFN)
- Super low power single channel 18-bit per pixel LVDS output
  - Single channel: Up to 120 MHz pixel clock
  - 50% power reduction: <100mW@65MHz
  - Up to WSXGA+ 1680 x 1650 @ 60Hz, 18-bpp
- Smart panel dimming control state machine compatible with Travis-based family products
- Programmable [directly](#) through AUX or local I2C slave port
- Compliant with VESA DisplayPort™ 1.1a
  - 1-lane with 1.62 / 2.7Gbps data rate support
  - AUX channel link up to 1Mbps bandwidth
  - DPCD registers accessible by the AUX channel and I<sup>2</sup>C Slave Interface
- Spread Spectrum Clock (SSC) support for improved EMI performance
- eDP content protection with Chip ID, OUI support
- Programmable LVDS swing, pre-emphasis, channel swap, and polarity inversion
- Programmable LVDS Output Spread Spectrum Clocking Generation (SSCG) with amplitude +/- 1.75% for EMI reduction
- Optional on-chip microcontroller with 512-Byte program space
- Recommend 3.3V<sub>IO</sub> and 1.2V<sub>CORE</sub> power supply for APU platform
- Optionally support 2.5V<sub>IO</sub>/1.2V<sub>CORE</sub> application system
- Package
  - 36-pin QFN (6x6)
  - RoHS compliant and Halogen free

ANX3112 has small 36 QFN package for AMD APU-based PC platform with Analogix's low power DisplayPort™ receiver offering 18 bit-per-pixel single channel LVDS output. It provides a high quality interface solution between AMD's APU processor and LVDS panels. Please refer to the part ordering and related products information.

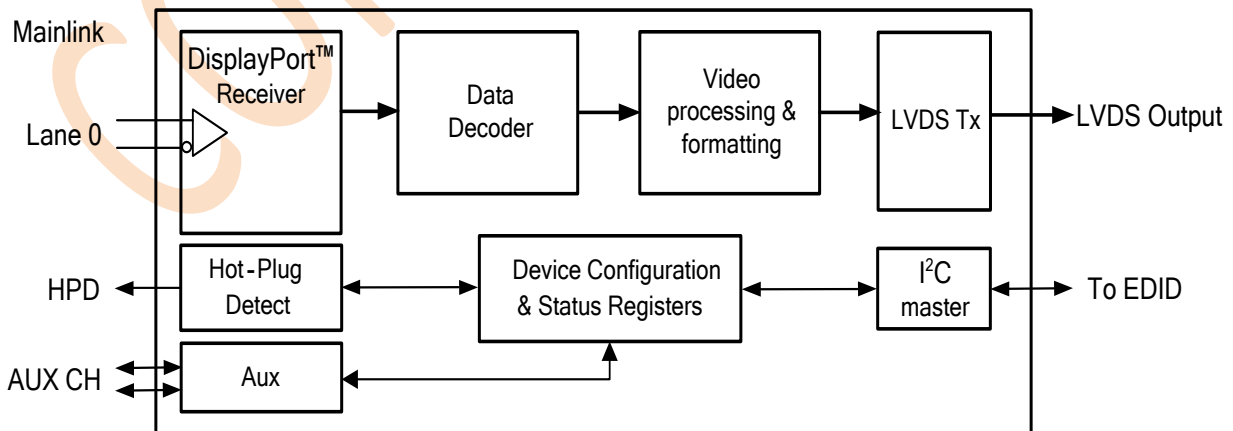
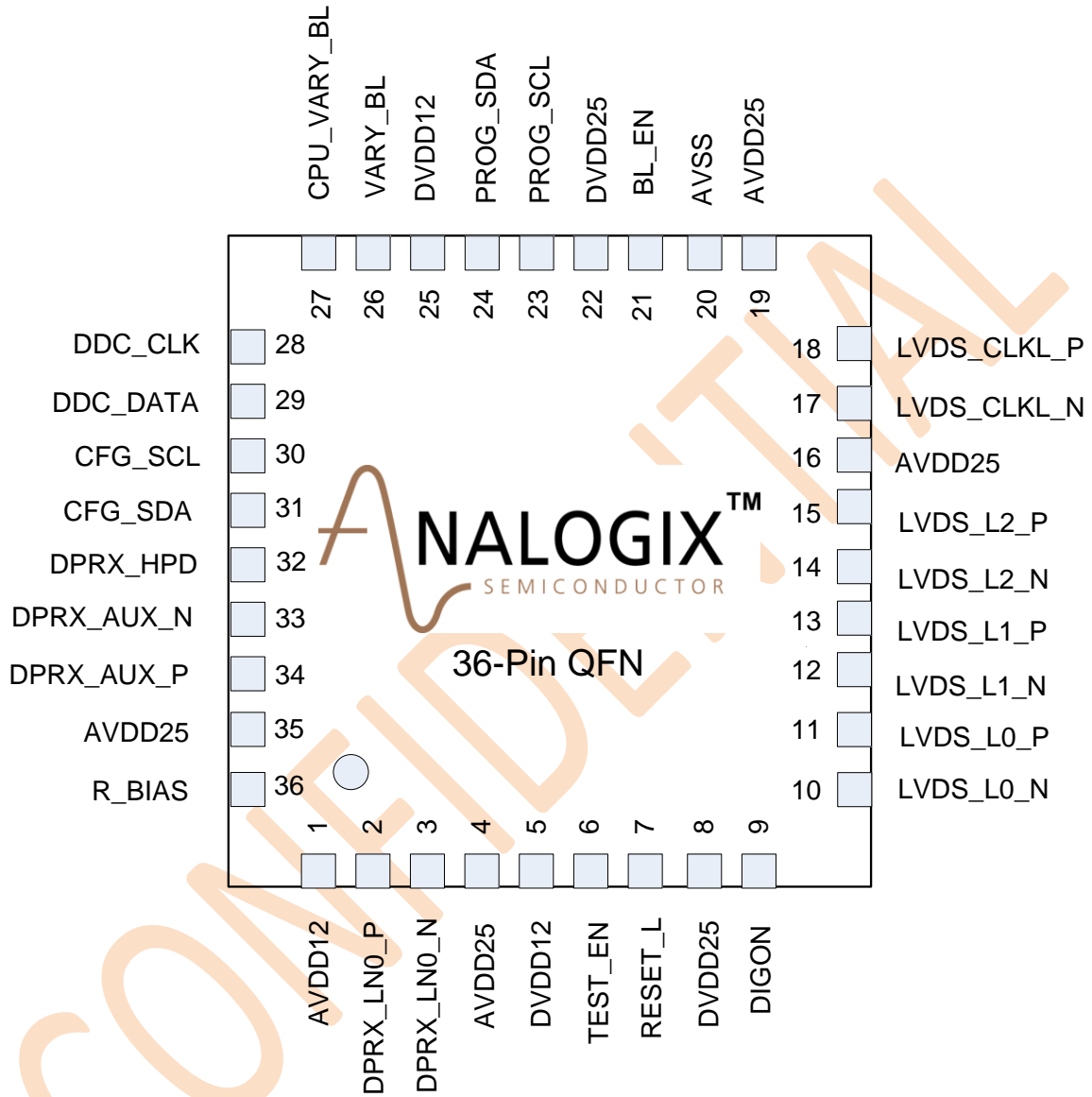


Figure 1: ANX3112 Block Diagram

## ANX3112 Pin Out



## Parts Ordering Information

Part No.	Description	Availability
ANX3112	Low cost DisplayPort™ to LVDS converter with single channel LVDS 18-bpp output, 36-pin QFN package	Sep-2011

## Analogue Related Products

Part No.	Description	Availability
ANX3111	Low cost DisplayPort™ to LVDS converter with single channel LVDS 18-bpp output, 64-pin QFN package	Sep-2011
ANX1121	Low cost DisplayPort™ to LVDS converter with single channel LVDS 18-bpp output, 36-pin QFN package	Sep-2011
ANX3110 ANX1120	High performance DisplayPort™ 1.1a to dual-LVDS LVDS converter	Now
ANX9834	High performance DisplayPort™ 1.1a to dual-LVDS LVDS & VGA converter	Now
ANX9835	Low Power DisplayPort™ 1.1a to HDMI™ 1.3 & DisplayPort™ 1.1a Replicator with HDCP 1.3 supported	Now
ANX9804	DVO / LVTTTL(24-bit input) to DisplayPort™ 1.1a or HDMI™ 1.3 Transmitter with HDCP 1.3 content protection	Now
ANX9806	DVO to DisplayPort™, HDMI, Dual DVI and VGA converter with HD audio and HDCP support	Now
ANX9830	DisplayPort™ to HDMI™/ DVI converter with HDCP and audio support	Now
ANX9832	Ultra low cost DisplayPort™ to VGA converter	Now

Copyright ©2011 Analogix Semiconductor, Inc.

3211 Scott Blvd., Suite 102  
Santa Clara, CA 95054, USA

Tel: (+1) 408-988-8848

<http://www.analogix.com>

Field Cod

©2011 Analogix Semiconductor, Inc. All Rights reserved.

THE INFORMATION CONTAINED IN THIS DOCUMENT IS PROVIDED "AS IS" WITHOUT ANY EXPRESS REPRESENTATIONS OF WARRANTIES. IN ADDITION, ANALOGIX SEMICONDUCTOR INC. DISCLAIMS ALL IMPLIED REPRESENTATIONS AND WARRANTIES, INCLUDING ANY WARRANTY OF MERCHANTABILITY, FITNESS FOR A PARTICULAR PURPOSE, OR NON-INFRINGEMENT OF THIRD PARTY INTELLECTUAL PROPERTY RIGHTS. SPECIFICATION IS SUBJECT TO CHANGE WITHOUT NOTICE.

This document contains proprietary information of Analogix Semiconductor, Inc. or under license from third parties. No part of this document may be reproduced in any form or by any means or transferred to any third party without the prior written consent of Analogix Semiconductor, Inc. The information contained in this document is not designed or intended for use in on-line control of aircraft, aircraft navigation or aircraft communications; or in the design, construction, operation or maintenance of any nuclear facility. Analogix disclaims any express or implied warranty of fitness for such uses.

Analogix Semiconductor, Inc., the Analogix Logo, and WideEye™ SerDes, SlimPort™ and CoolHD™ are trademarks of Analogix Semiconductor, Inc., in the United States and other countries. HDMI, the HDMI logo and High-Definition Multimedia Interface are trademarks or registered trademarks of HDMI Licensing LLC. DisplayPort™ and the DisplayPort™ logo are trademarks or registered trademarks of the Video Electronics Standards Association, VESA®. All other trademarks and registered trademarks are the property of their respective owners.