

AO-09648A

•96 x 48 dots

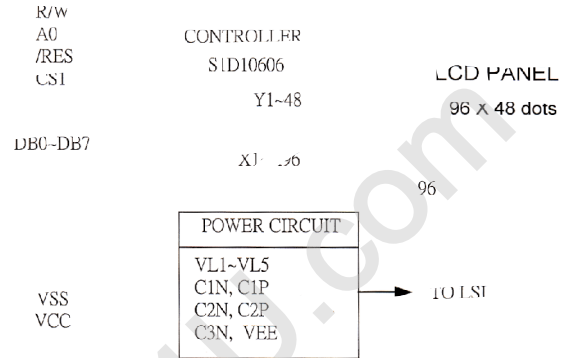
1/49 Duty

FEATURE

- 1.Construction : LCD panel and FPC
- 2.Display type:FSTN, Trans reflective, Positive, 6 o'clock view.
- 3.Controller:S1D10606

液晶之友 电话: 020-33819057
[Http://www.lcdfriends.com](http://www.lcdfriends.com)

BLOCK DIAGRAM



ELECTRICAL CHARACTERISTICS

Parameter	Symbol	Condition	Typ.Value	Unit.
LCD Driving Voltage	VLCD	25°C	9	V
Supply Current	IDD	25°C	0.5	mA

INTERFACE

1	2	3	4	5	6	7~14	15	16	17	18
Dummy	/CS	/RES	A0	/WR	/RD	D0~D7	VDD	VSS	VOU	CAP3-
19	20	21	22	23	24	25	26	27	28	29
CAP1+	CAP1-	CAP2-	CAP2+	V1	V2	V3	V4	V5	VR	Dummy

www.DataSheet4U.com