

# AO-09664D

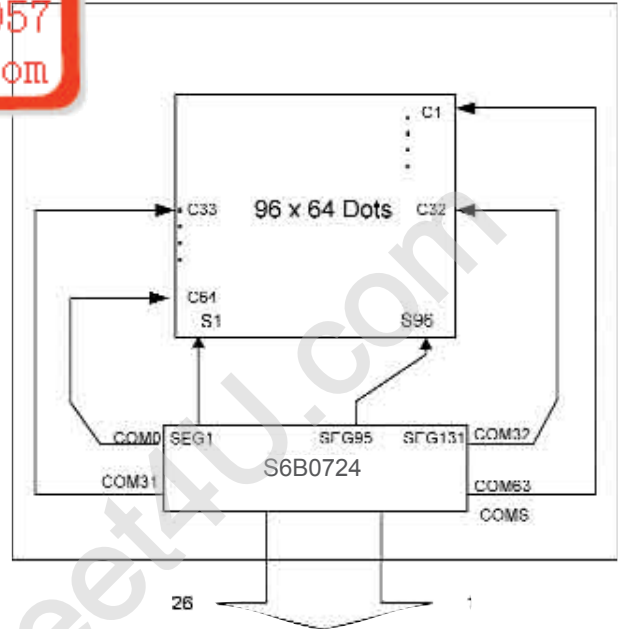
•96 x 64 dots 1/64 Duty

## FEATURE

1. Construction : LCD panel, FPC and COG technology.
2. Display type : FS IN, Transistive, Positive, 6 o'clock view
3. Controller : S6B0724
4. Interface : 80 series family MPU
5. Extend temp.

液晶之友 电话: 020-33819057  
<http://www.lcdfriends.com>

## BLOCK DIAGRAM

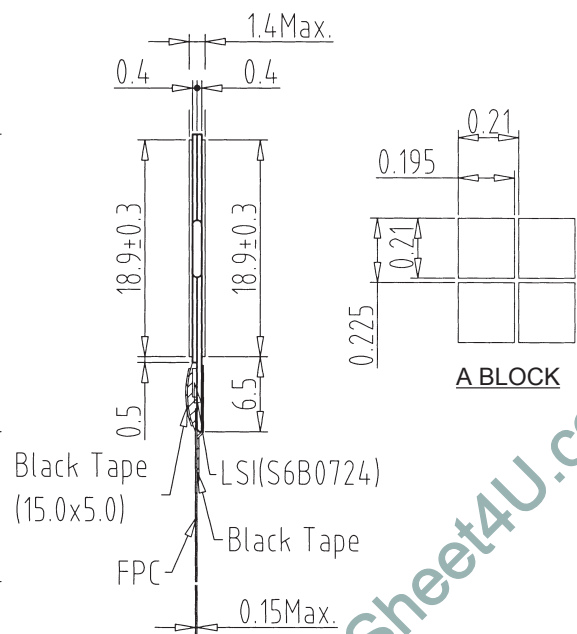
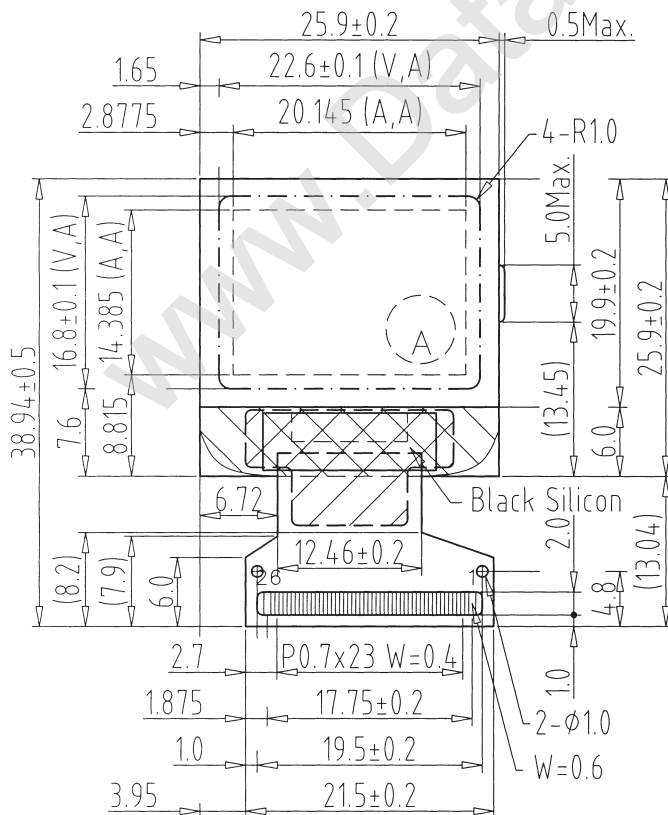


## ELECTRICAL CHARACTERISTICS

Parameter	Symbol	Condition	Typ. Value	Unit.
LCD Driving Voltage	V0-VSS	25°C	10.45	V
Supply Current	IDD	VDD=3.0V	0.05	mA

## INTERFACE

1	2	3	4	5	6	7	8	9	10
/CS	/RESET	RS	/WR	/RD	D0	D1	D2	D3	D4
11	12	13	14	15	16	17	18	19	20
D5	D6	D7	VDD	VSS	VOUT	C3+	C1-	C1+	C2+
21	22	23	24	25	26				
C2-	V1	V2	V3	V4	V0				



Connector  
Molex:52745-1690/52746-1690