

# AO-12864R

•128 x 64 dots

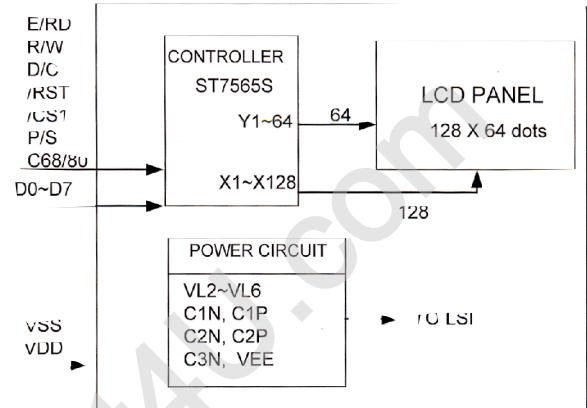
1/64 Duty

## FEATURE

1. Construction: TFT-LCD
2. Display type: FSTN, Transflective, Positive, 6 o'clock view
3. Controller: ST7565S
4. Extend temperature type.

液晶之友 电话: 020-33819057  
<http://www.lcdfriends.com>

## BLOCK DIAGRAM



## ELECTRICAL CHARACTERISTICS

Parameter	Symbol	Condition	Typ.Value	Unit.
LCD Driving Voltage	V0-VSS	25°C	10	V
Supply Current	IDD	VDD=2.8V	0.23	mA

## INTERFACE

1	2	3	4	5	6	7	8	9	10	11
NC	NC	VDD	P/S	C68/80	VSS	V5	V4	V3	V2	V1
12	13	14	15	16	17	18	19	20	21	22
C2+	C2-	C1-	C1+	C3-	VOUT	VSS	D7	D6	D5	D4
23	24	25	26	27	28	29	30	31	32	33
D3	D2	D1	D0	E/RD	R/W	D/C	/RES	/CS1	NC	NC

