

AO-12864T

•128 x 64 dots

1/64 Duty

FEATURE

- 1.Construction : LCD panel , COG and FPC.
- 2.Display type : STN Yellow-Green, Reflective, Positive, 6 color view
- 3.Controller : ST7565S
- 4.Normal temperature type.

液晶之友 电话: 020-33819057
[Http://www.lcdfriends.com](http://www.lcdfriends.com)

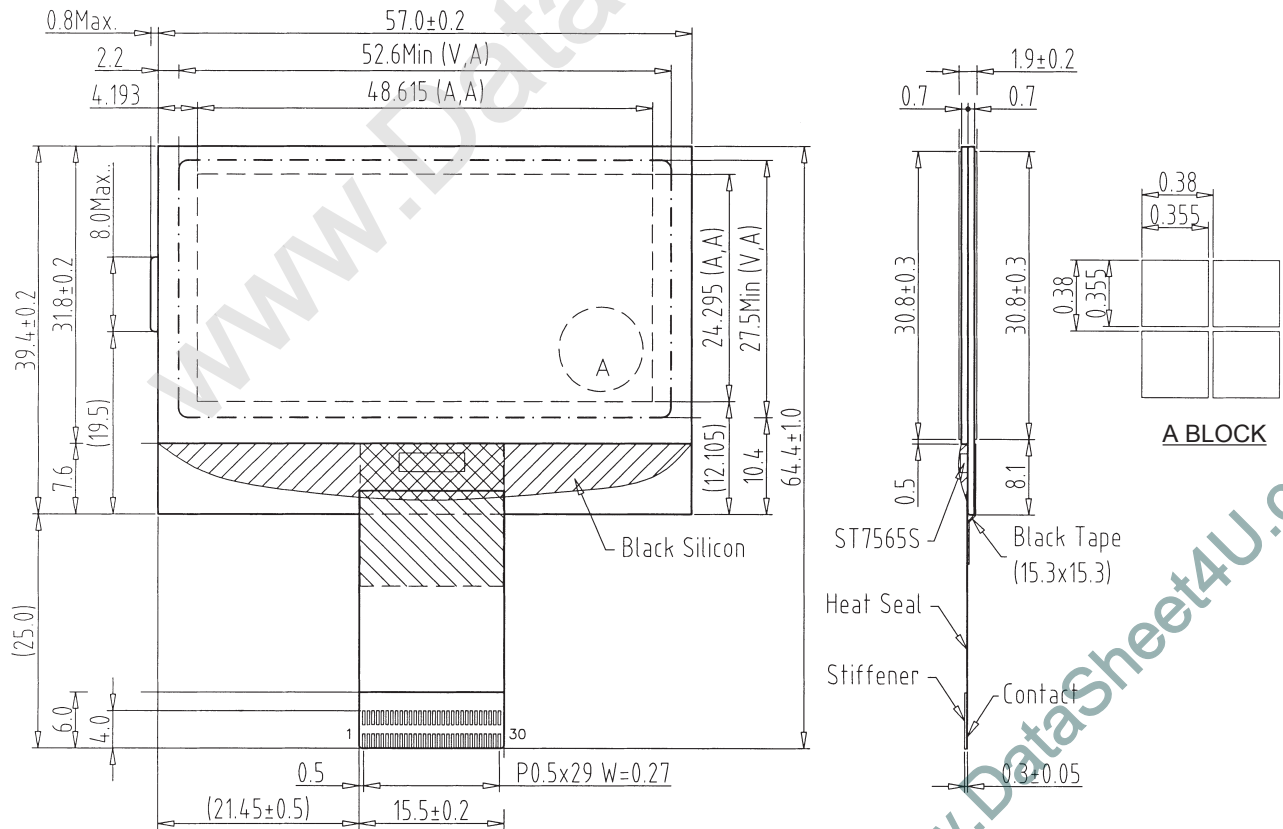
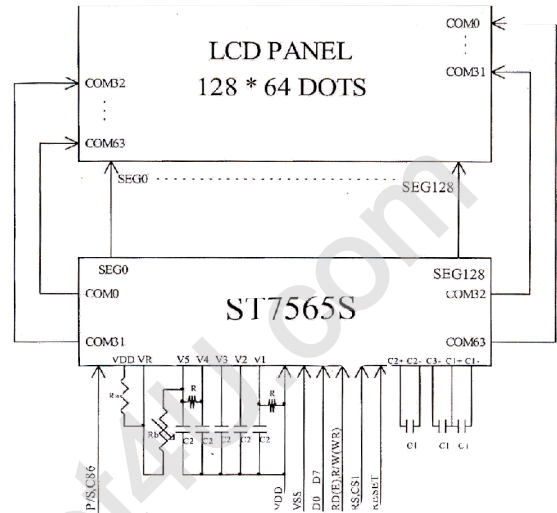
ELECTRICAL CHARACTERISTICS

Parameter	Symbol	Condition	Typ.Value	Unit.
LCD Driving Voltage	V0-VSS	25°C	10.45	V
Supply Current	IDD	VDD=3.3V	2.5	mA

INTERFACE

1	2	3	4	5	6	7	8	9	10
P/S	C86	VDD	VR	V5	V4	V3	V2	V1	C2+
11	12	13	14	15	16	17	18	19	20
C2-	C1-	C1+	C3-	VOUT	VSS	VDD	D7	D6	D5
21	22	23	24	25	26	27	28	29	30
D4	D3	D2	D1	D0	RD(E)	WR(R/W)	A0	RES	CS1

BLOCK DIAGRAM



www.DataSheet4U.com