

WIDE INPUT VOLTAGE RANGE, 150mA ULDO REGULATOR**AP2204****General Description**

The AP2204 series is a positive voltage regulator IC fabricated by high voltage EPNP process.

The AP2204 has features of wide input voltage range, high accuracy, high ripple rejection, low dropout voltage, low noise, current limit and ultra-low quiescent current which make it ideal for use in various USB and portable devices.

The IC consists of a voltage reference, an error amplifier, a resistor network for setting output voltage, a current limit circuit for current protection, and a chip enable circuit.

The AP2204 has 1.5V, 1.8V, 2.5V, 2.8V, 3.0V, 3.3V, 5.0V fixed voltage versions and adjustable voltage version.

The AP2204 is available in space-saving SOT-23-5, SOT-89 and PSOP-8 packages.

Features

- Wide Input Voltage Range: 2.3V to 24V
- Wide Output Voltage Range: 1.24V to 22V
- Excellent Ripple Rejection: 60dB@ f=1kHz
- Low Dropout Voltage: $V_{DROPO} = 100\text{mV}@ I_{OUT} = 100\mu\text{A}$
- Low Ground Current
- High Output Voltage Accuracy
- Compatible with Low ESR Ceramic Capacitor
- Excellent Line/Load Regulation
- Thermal Shutdown Function

Applications

- Battery-powered Equipment
- Laptop, Palmtops, Notebook Computers
- Portable Information Appliances

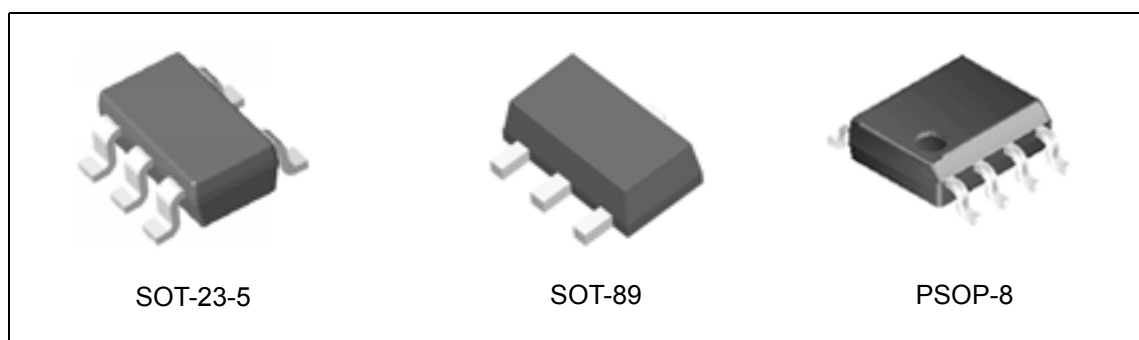
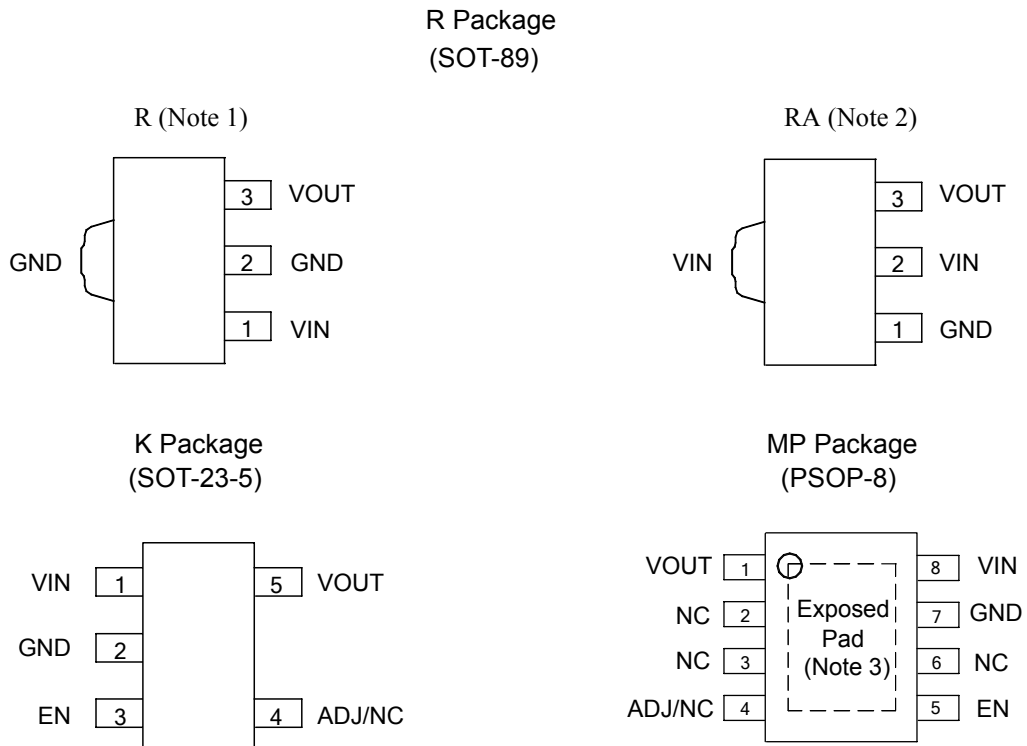


Figure 1. Package Types of AP2204

Pin Configuration



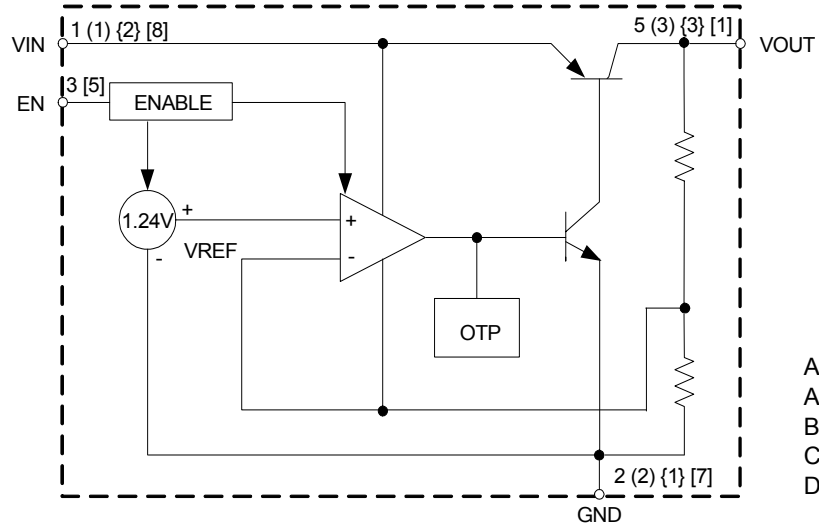
Note 1: The substrate/exposed pad should be connected to GND or open.
 Note 2: The substrate/exposed pad should be connected to VIN or open.
 Note 3: The exposed pad should be connected to GND for better dissipation.

Figure 2. Pin Configuration of AP2204 (Top View)

Pin Description

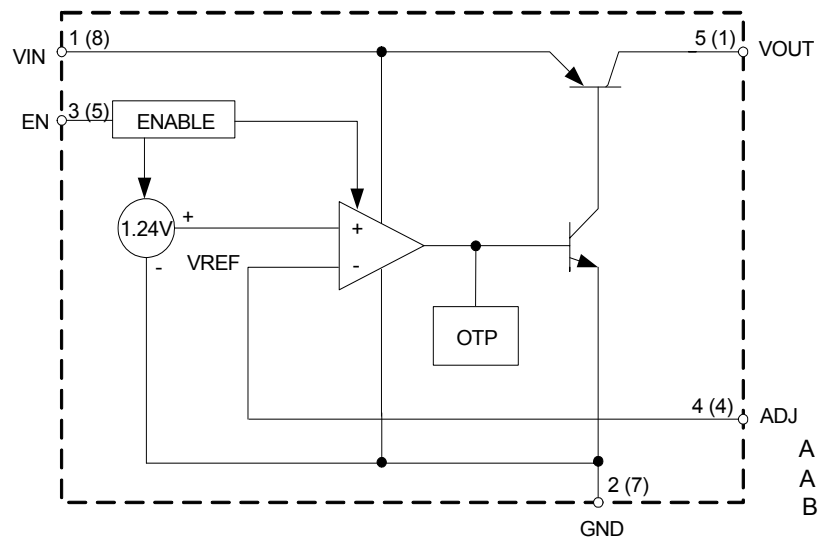
Pin Number		SOT-89		Pin Name	Function
SOT-23-5	PSOP-8	R	RA		
1	8	1	2	VIN	Input voltage
2	7	2	1	GND	Ground
3	5			EN	Enable input
4	4			ADJ/NC	Adjust output for ADJ version/No connected for fixed version
5	1	3	3	VOUT	Regulated output voltage

Functional Block Diagram



A (B) {C} [D]
 A for SOT-23-5
 B for SOT-89 (R)
 C for SOT-89 (RA)
 D for PSOP-8

Fixed Output Voltage



A (B)
 A for SOT-23-5
 B for PSOP-8

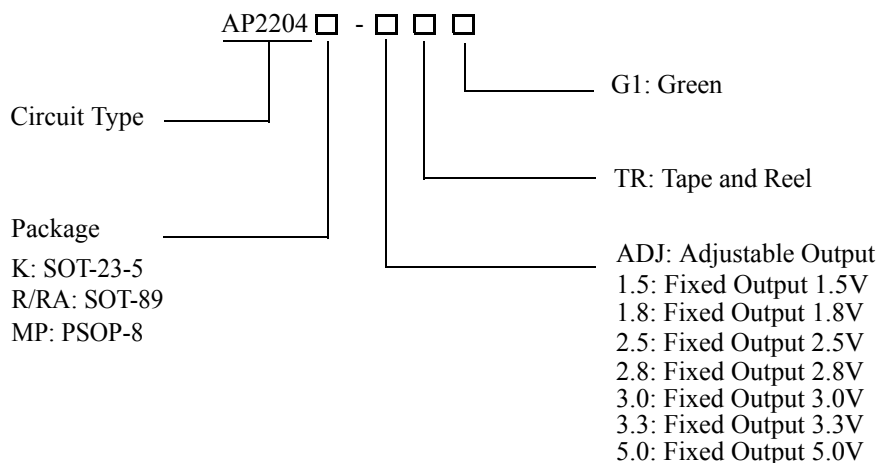
Adjustable Output Voltage

Figure 3. Functional Block Diagram of AP2204



WIDE INPUT VOLTAGE RANGE, 150mA ULDO REGULATOR **AP2204**

Ordering Information



Package	Temperature Range	Output Voltage	Part Number	Marking ID	Packing Type
			Green	Green	
SOT-23-5	-40 to 85°C	ADJ	AP2204K-ADJTRG1	GAF	Tape & Reel
		1.5V	AP2204K-1.5TRG1	GBH	Tape & Reel
		1.8V	AP2204K-1.8TRG1	GAG	Tape & Reel
		2.5V	AP2204K-2.5TRG1	GAD	Tape & Reel
		2.8V	AP2204K-2.8TRG1	GAE	Tape & Reel
		3.0V	AP2204K-3.0TRG1	GEF	Tape & Reel
		3.3V	AP2204K-3.3TRG1	GAH	Tape & Reel
		5.0V	AP2204K-5.0TRG1	GAI	Tape & Reel
SOT-89	-40 to 85°C	1.5V (R)	AP2204R-1.5TRG1	G22C	Tape & Reel
		1.8V (R)	AP2204R-1.8TRG1	G31C	Tape & Reel
		2.5V (R)	AP2204R-2.5TRG1	G22D	Tape & Reel
		2.8V (R)	AP2204R-2.8TRG1	G22E	Tape & Reel
		3.0V (R)	AP2204R-3.0TRG1	G22F	Tape & Reel
		3.3V (R)	AP2204R-3.3TRG1	G31D	Tape & Reel
		5.0V (R)	AP2204R-5.0TRG1	G31E	Tape & Reel

**WIDE INPUT VOLTAGE RANGE, 150mA ULDO REGULATOR****AP2204****Ordering Information (Continued)**

Package	Temperature Range	Output Voltage	Part Number	Marking ID	Packing Type
			Green	Green	
SOT-89	-40 to 85°C	1.5V (RA)	AP2204RA-1.5TRG1	G220	Tape & Reel
		1.8V (RA)	AP2204RA-1.8TRG1	G270	Tape & Reel
		2.5V (RA)	AP2204RA-2.5TRG1	G280	Tape & Reel
		2.8V (RA)	AP2204RA-2.8TRG1	G310	Tape & Reel
		3.0V (RA)	AP2204RA-3.0TRG1	G330	Tape & Reel
		3.3V (RA)	AP2204RA-3.3TRG1	G370	Tape & Reel
		5.0V (RA)	AP2204RA-5.0TRG1	G410	Tape & Reel
PSOP-8	-40 to 85°C	ADJ	AP2204MP-ADJTRG1	2204MP-ADJG1	Tape & Reel
		1.5V	AP2204MP-1.5TRG1	2204MP-1.5G1	Tape & Reel
		1.8V	AP2204MP-1.8TRG1	2204MP-1.8G1	Tape & Reel
		2.5V	AP2204MP-2.5TRG1	2204MP-2.5G1	Tape & Reel
		2.8V	AP2204MP-2.8TRG1	2204MP-2.8G1	Tape & Reel
		3.0V	AP2204MP-3.0TRG1	2204MP-3.0G1	Tape & Reel
		3.3V	AP2204MP-3.3TRG1	2204MP-3.3G1	Tape & Reel
		5.0V	AP2204MP-5.0TRG1	2204MP-5.0G1	Tape & Reel

BCD Semiconductor's products, as designated with "G1" suffix in the part number, are RoHS compliant and Green.

**WIDE INPUT VOLTAGE RANGE, 150mA ULDO REGULATOR****AP2204****Absolute Maximum Ratings (Note 4)**

Parameter	Symbol	Value		Unit
Supply Input Voltage	V_{IN}	38		V
Enable Input Voltage	V_{CE}	38		V
Output Current	I_{OUT}	250		mA
Lead Temperature (Soldering, 10sec)	T_{LEAD}	260		°C
Operating Junction Temperature	T_J	150		°C
Thermal Resistance	θ_{JA}	SOT-23-5	250	°C/W
		SOT-89	165	
		PSOP-8 (Note 5)	51	
Storage Temperature Range	T_{STG}	-65 to 150		°C
ESD (Machine Model)		275		V
ESD (Human Body Model)		2000		V

Note 4: Stresses greater than those listed under "Absolute Maximum Ratings" may cause permanent damage to the device. These are stress ratings only, and functional operation of the device at these or any other conditions beyond those indicated under "Recommended Operating Conditions" is not implied. Exposure to "Absolute Maximum Ratings" for extended periods may affect device reliability.

Note 5: θ_{JA} is measured with the component mounted on a 2-Layer FR-4 PCB board with 1.5cm*1.5cm thermal sink pad in free air.

Recommended Operating Conditions

Parameter	Symbol	Min	Max	Unit
Supply Input Voltage	V_{IN}	2.3	24	V
Operating Junction Temperature	T_J	-40	125	°C



WIDE INPUT VOLTAGE RANGE, 150mA ULDO REGULATOR **AP2204**

Electrical Characteristics

$V_{IN}=V_{OUT}+1V$, $T_J=25^{\circ}C$, $I_{OUT}=100\mu A$, $C_{IN}=1.0\mu F$, $C_{OUT}=2.2\mu F$, **Bold** typeface applies over $-40^{\circ}C \leq T_J \leq 125^{\circ}C$, unless otherwise specified.

Parameter	Symbol	Conditions	Min	Typ	Max	Unit
Output Voltage	V_{OUT}	Variation from Specified V_{OUT}	$V_{OUT} \times 98\%$		$V_{OUT} \times 102\%$	V
Reference Voltage	V_{REF}		1.215	1.24	1.265	V
Input Voltage	V_{IN}				24	V
Maximum Output Current	$I_{OUT(max)}$	$V_{IN}-V_{OUT}=1V$ $V_{OUT}=98\% \times V_{OUT}$	150	200		mA
Line Regulation	$\Delta V_{OUT}/\Delta V_{IN}$	$V_{OUT}+1V \leq V_{IN} \leq 24V$		0.05		%
Load Regulation	$\Delta V_{OUT}/V_{OUT}$	$1mA \leq I_{OUT} \leq 150mA$		0.5		%
Dropout Voltage	V_{DROP}	$I_{OUT}=100\mu A$		100	150	mV
		$I_{OUT}=50mA$		270	350	
		$I_{OUT}=100mA$		320	460	
		$I_{OUT}=150mA$		360	500	
Ground Current	I_{GND}	$I_{OUT}=100\mu A$		50		μA
		$I_{OUT}=50mA$		0.5		mA
		$I_{OUT}=100mA$		1.3		
		$I_{OUT}=150mA$		2.5		
Standby Current	I_{STD}	$V_{IN}=V_{OUT}+1V$ V_{EN} in OFF Mode		0.01	1.0	μA
Power Supply Rejection Ration	PSRR	Ripple 0.5V _{P-P} $V_{IN}=V_{OUT}+1V$	$f=100Hz$		60	dB
			$f=1kHz$		60	
Output Voltage Temperature Coefficient	$\Delta V_{OUT}/(V_{OUT} \times \Delta T)$	$I_{OUT}=100\mu A$, $-40^{\circ}C \leq T_J \leq 125^{\circ}C$		± 100		ppm/ $^{\circ}C$
RMS Output Noise	V_{NOI}	$T_J=25^{\circ}C$, $10Hz \leq f \leq 100kHz$		30		μV_{rms}
ADJ Pin Current	I_{ADJ}	$I_{OUT}=100\mu A$		0.5		μA
EN Pin Current	I_{EN}	$V_{EN}=V_{OUT}+1V$		1		μA
EN “High” Voltage		EN Input Voltage “High”	2.0			V
EN “Low” Voltage		EN Input Voltage “Low”			0.4	V
Thermal Resistance (Junction to Case)	θ_{JC}	SOT-23-5		43		$^{\circ}C/W$
		SOT-89		27		
		PSOP-8		22		



WIDE INPUT VOLTAGE RANGE, 150mA ULDO REGULATOR **AP2204**

Typical Performance Characteristics

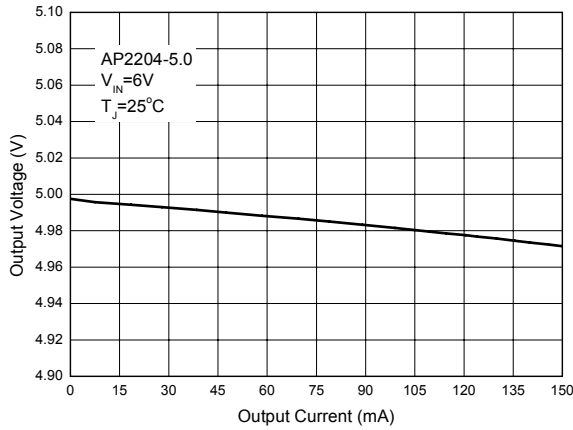


Figure 4. Output Voltage vs. Output Current

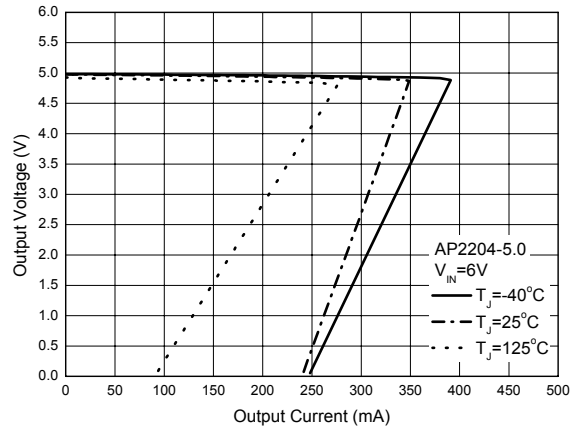


Figure 5. Output Voltage vs. Output Current

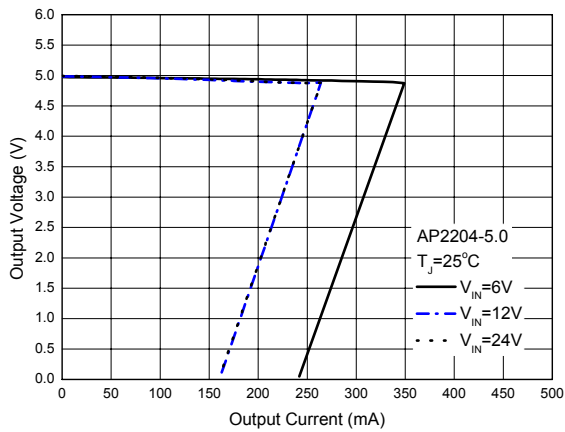


Figure 6. Output Voltage vs. Output Current

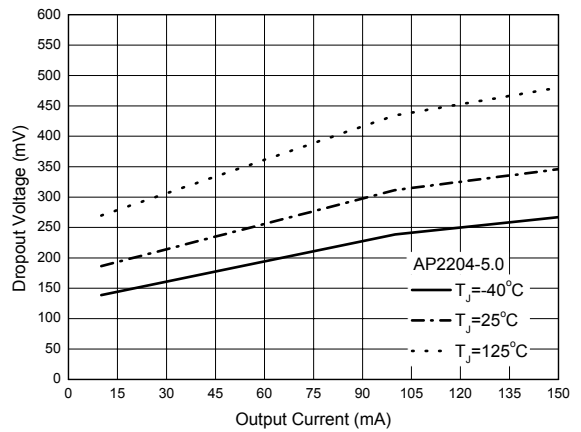


Figure 7. Dropout Voltage vs. Output Current



WIDE INPUT VOLTAGE RANGE, 150mA ULDO REGULATOR **AP2204**

Typical Performance Characteristics (Continued)

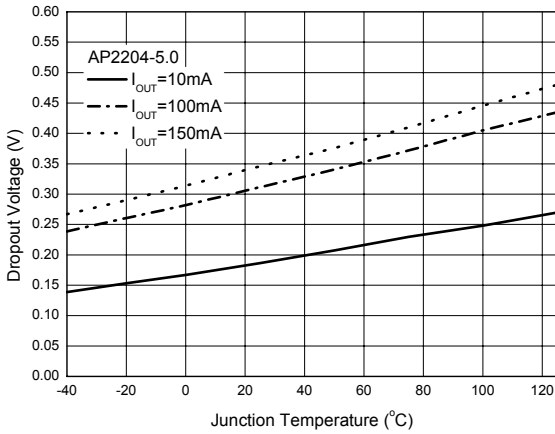


Figure 8. Dropout Voltage vs. Junction Temperature

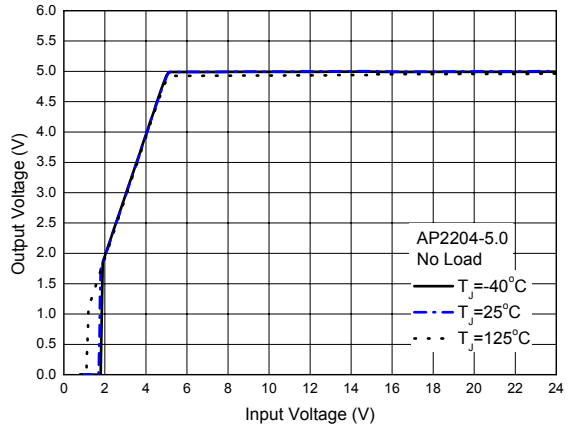


Figure 9. Output Voltage vs. Input Voltage

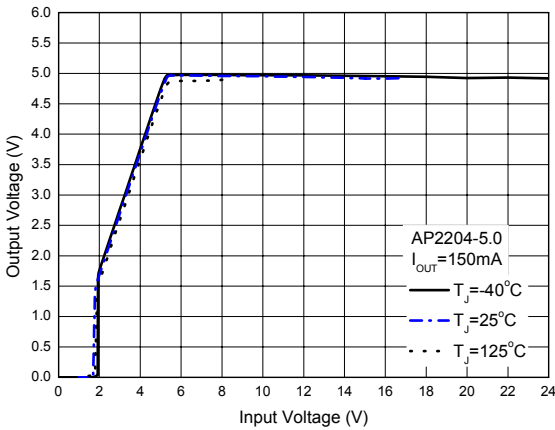


Figure 10. Output Voltage vs. Input Voltage

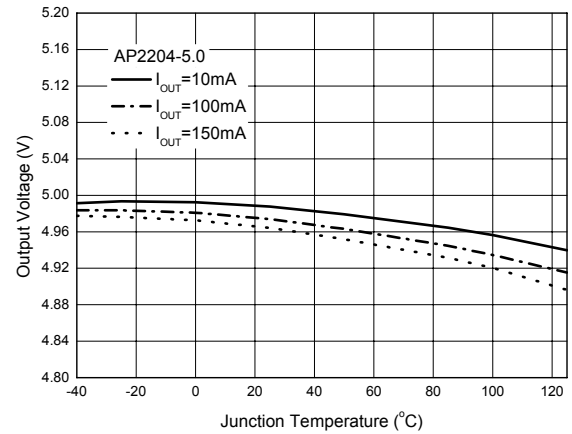


Figure 11. Output Voltage vs. Junction Temperature



Typical Performance Characteristics (Continued)

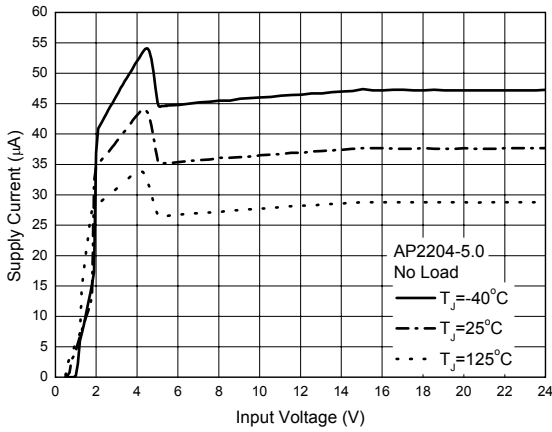


Figure 12. Supply Current vs. Input Voltage

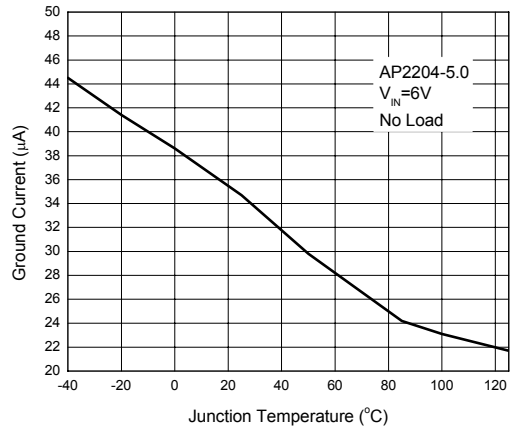


Figure 13. Ground Current vs. Junction Temperature

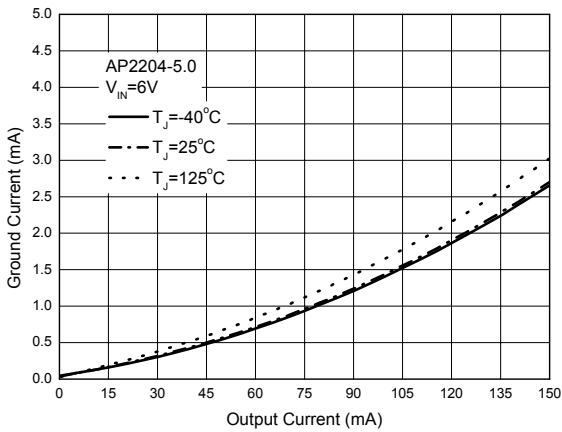


Figure 14. Ground Current vs. Output Current

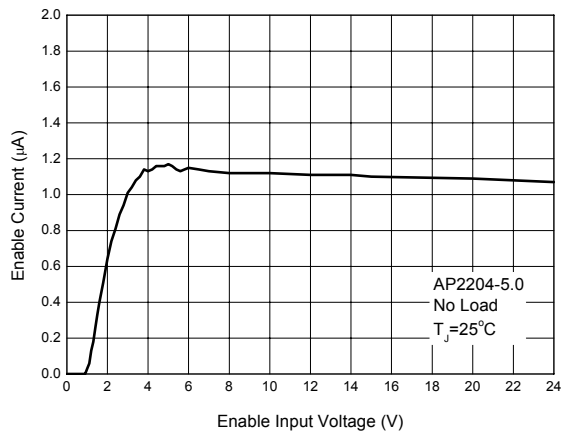


Figure 15. Enable Current vs. Enable Input Voltage



WIDE INPUT VOLTAGE RANGE, 150mA ULDO REGULATOR **AP2204**

Typical Performance Characteristics (Continued)

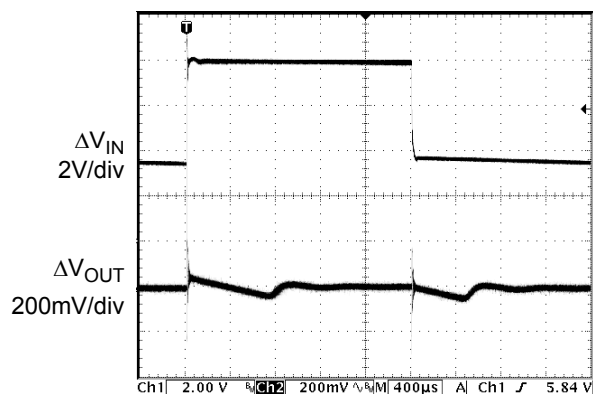


Figure 16. Line Transient
(Conditions: $V_{IN}=V_{EN}=3.5V$ to $8V$, $C_{IN}=1.0\mu F$, $C_{OUT}=2.2\mu F$, $I_{OUT}=1mA$)

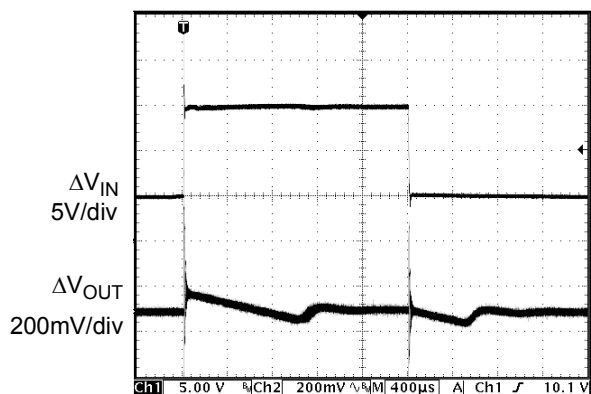


Figure 17. Line Transient
(Conditions: $V_{IN}=V_{EN}=5V$ to $15V$, $C_{IN}=1.0\mu F$, $C_{OUT}=2.2\mu F$, $I_{OUT}=1mA$)

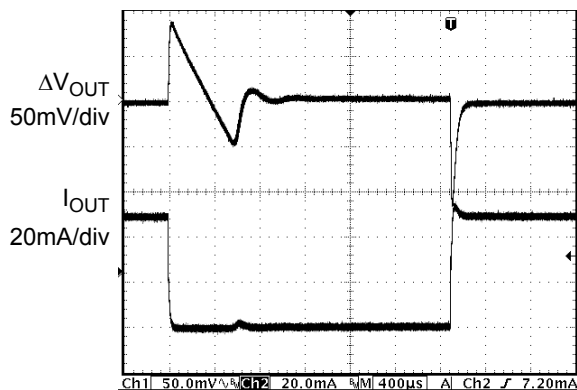


Figure 18. Load Transient
(Conditions: $V_{IN}=5V$, $C_{IN}=1.0\mu F$, $C_{OUT}=2.2\mu F$, $I_{OUT}=1mA$ to $50mA$)

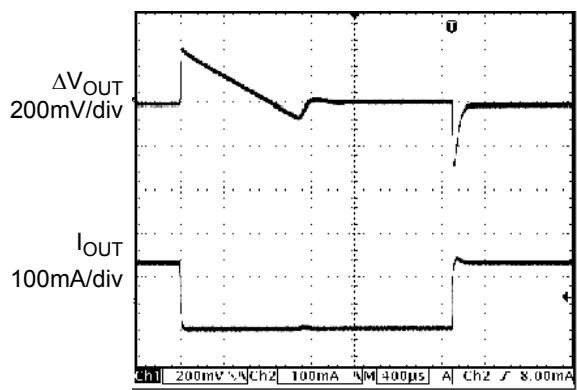


Figure 19. Load Transient
(Conditions: $V_{IN}=5V$, $C_{IN}=1.0\mu F$, $C_{OUT}=2.2\mu F$, $I_{OUT}=1mA$ to $150mA$)



WIDE INPUT VOLTAGE RANGE, 150mA ULDO REGULATOR

AP2204

Typical Performance Characteristics (Continued)



Figure 20. Enable Input Response

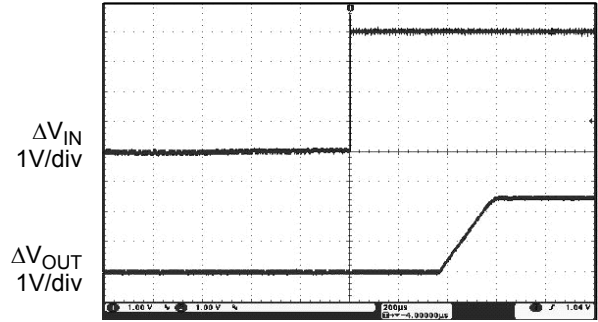


Figure 21. Start-up Response

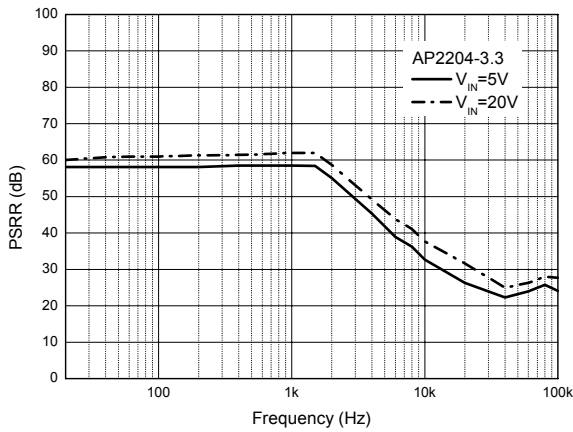


Figure 22. PSRR vs. Frequency
(Conditions: $V_{PP}=2V$, $I_{OUT}=10mA$)

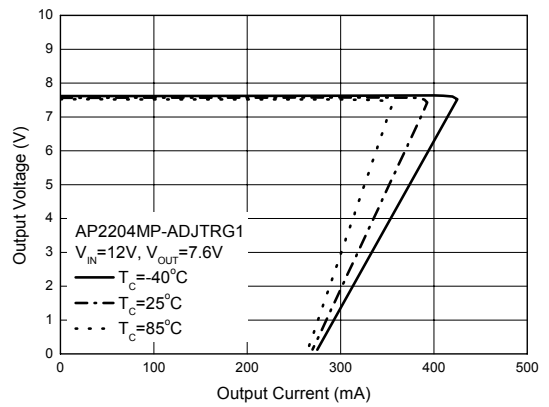


Figure 23. Output Voltage vs. Output Current



WIDE INPUT VOLTAGE RANGE, 150mA ULDO REGULATOR **AP2204**

Typical Performance Characteristics (Continued)

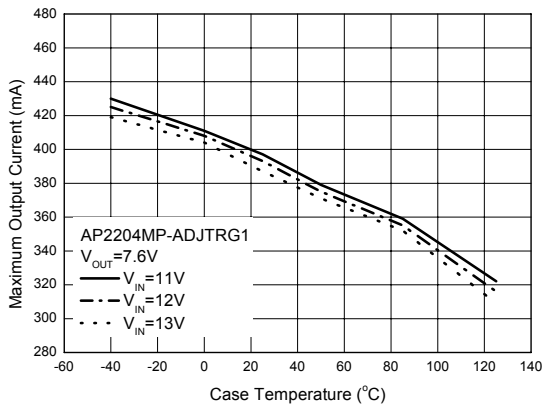


Figure 24. Maximum Output Current vs. Case Temperature

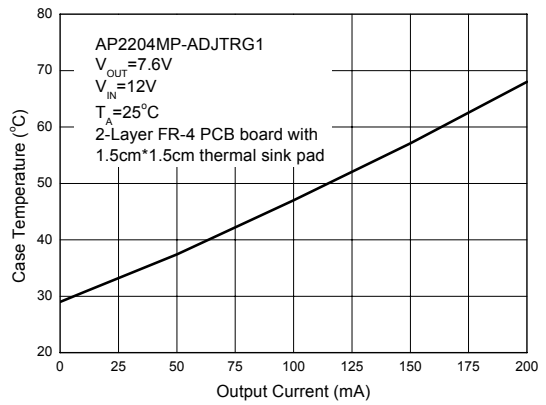


Figure 25. Case Temperature vs. Output Current

Typical Application

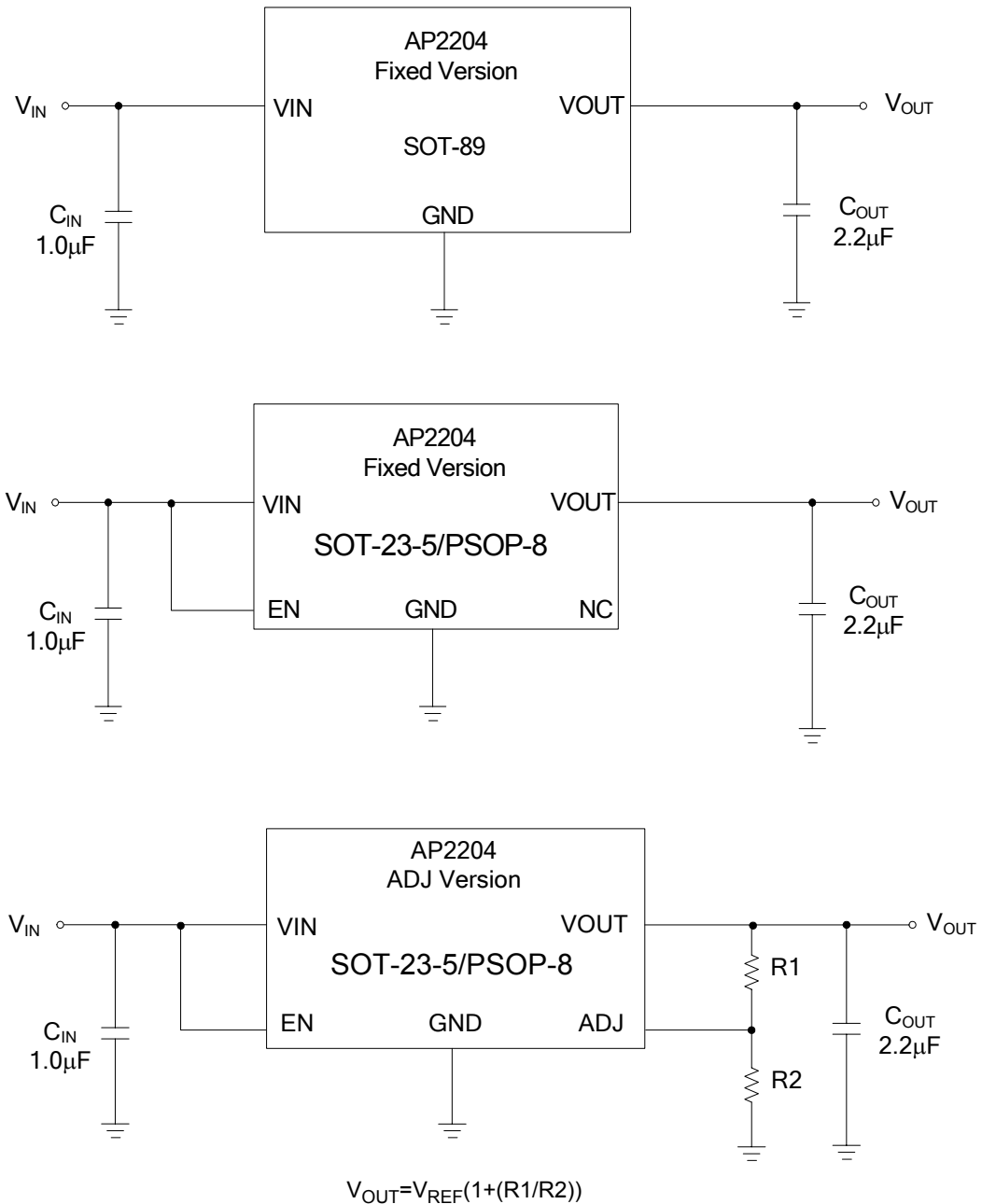


Figure 26. Typical Application of AP2204

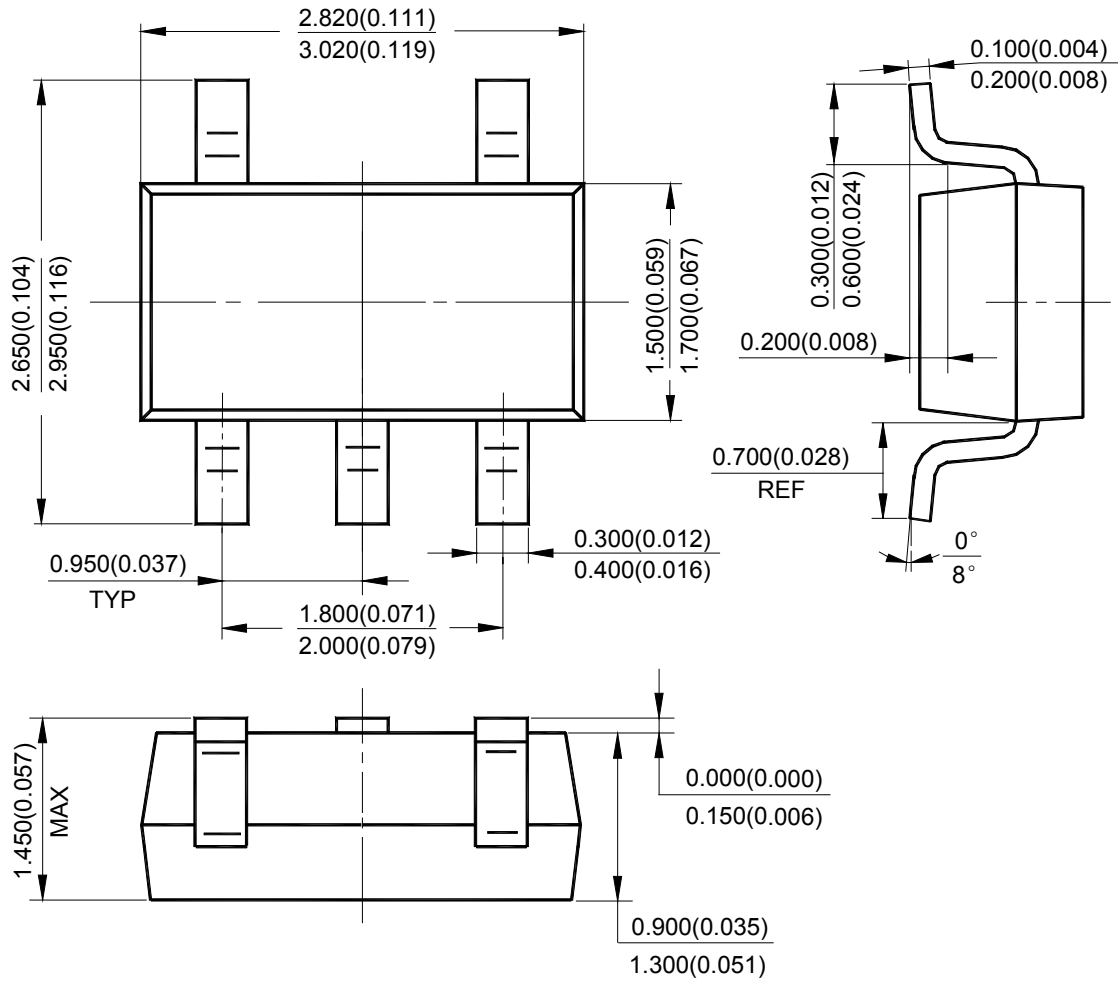


WIDE INPUT VOLTAGE RANGE, 150mA ULDO REGULATOR **AP2204**

Mechanical Dimensions

SOT-23-5

Unit: mm(inch)





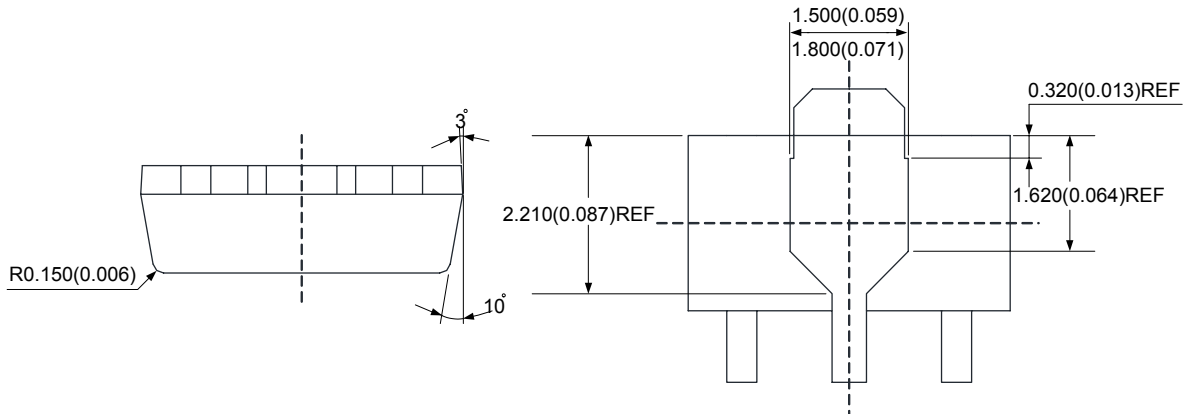
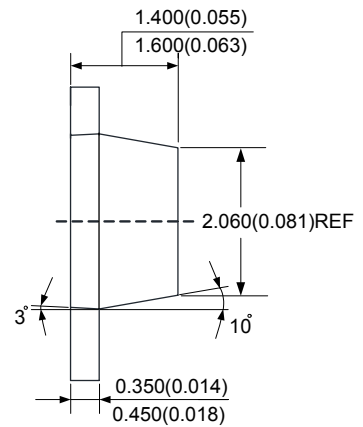
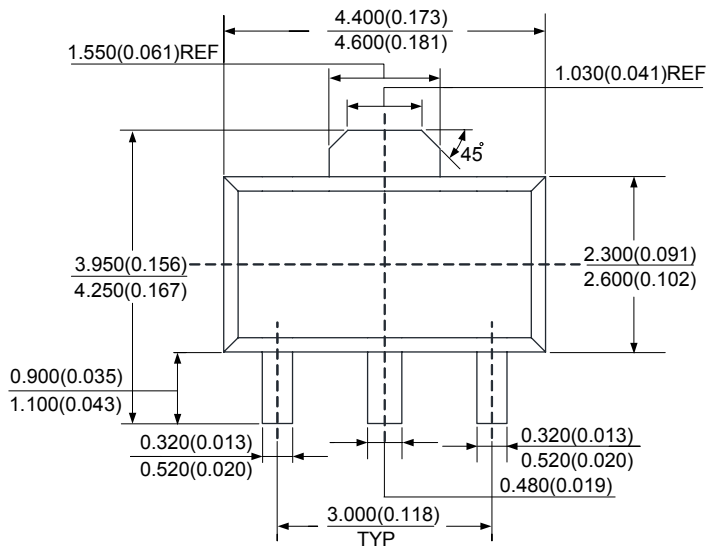
WIDE INPUT VOLTAGE RANGE, 150mA ULDO REGULATOR

AP2204

Mechanical Dimensions (Continued)

SOT-89

Unit: mm(inch)

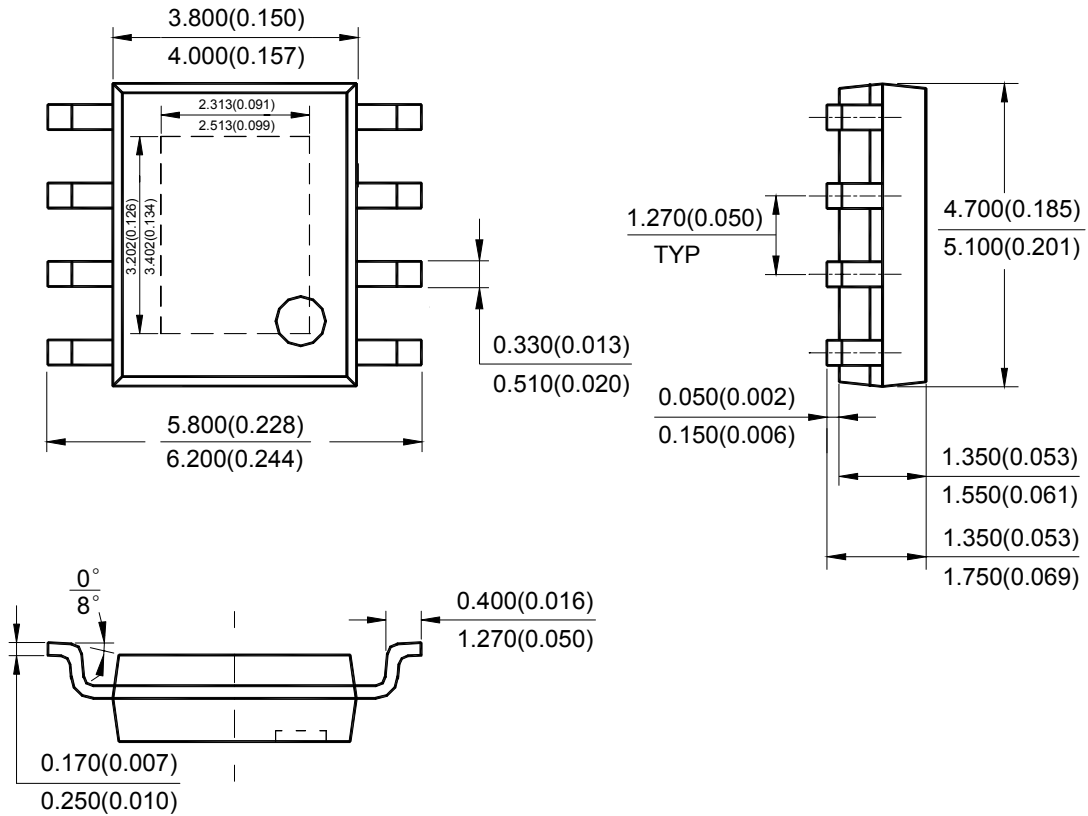


WIDE INPUT VOLTAGE RANGE, 150mA ULDO REGULATOR **AP2204**

Mechanical Dimensions (Continued)

PSOP-8

Unit: mm(inch)



Note: Eject hole, oriented hole and mold mark is optional.



BCD Semiconductor Manufacturing Limited

<http://www.bcdsemi.com>

IMPORTANT NOTICE

BCD Semiconductor Manufacturing Limited reserves the right to make changes without further notice to any products or specifications herein. BCD Semiconductor Manufacturing Limited does not assume any responsibility for use of any its products for any particular purpose, nor does BCD Semiconductor Manufacturing Limited assume any liability arising out of the application or use of any its products or circuits. BCD Semiconductor Manufacturing Limited does not convey any license under its patent rights or other rights nor the rights of others.

MAIN SITE

- Headquarters

BCD Semiconductor Manufacturing Limited

No. 1600, Zi Xing Road, Shanghai Zizhu Science-based Industrial Park, 200241, China
Tel: +86-21-24162266, Fax: +86-21-24162277

- Wafer Fab

Shanghai SIM-BCD Semiconductor Manufacturing Co., Ltd.

800 Yi Shan Road, Shanghai 200233, China
Tel: +86-21-6485 1491, Fax: +86-21-5450 0008

REGIONAL SALES OFFICE

Shenzhen Office

Shanghai SIM-BCD Semiconductor Manufacturing Co., Ltd., Shenzhen Office

Unit A Room 1203, Skyworth Bldg., Gaoxin Ave. 1.S., Nanshan District, Shenzhen, China
Tel: +86-755-8826 7951
Fax: +86-755-8826 7865

Taiwan Office

BCD Semiconductor (Taiwan) Company Limited

4F, 298-1, Rui Guang Road, Nei-Hu District, Taipei, Taiwan
Tel: +886-2-2656 2808
Fax: +886-2-2656 2806

USA Office

BCD Semiconductor Corp.

30920 Huntwood Ave. Hayward, CA 94544, USA
Tel : +1-510-324-2988
Fax: +1-510-324-2788