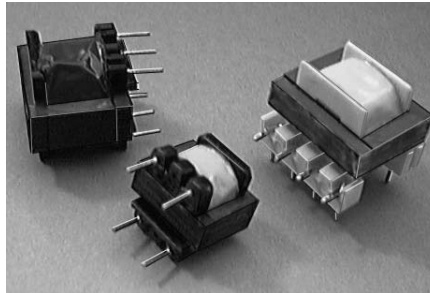


AUDIO, COUPLING TRANSFORMERS

General Purpose

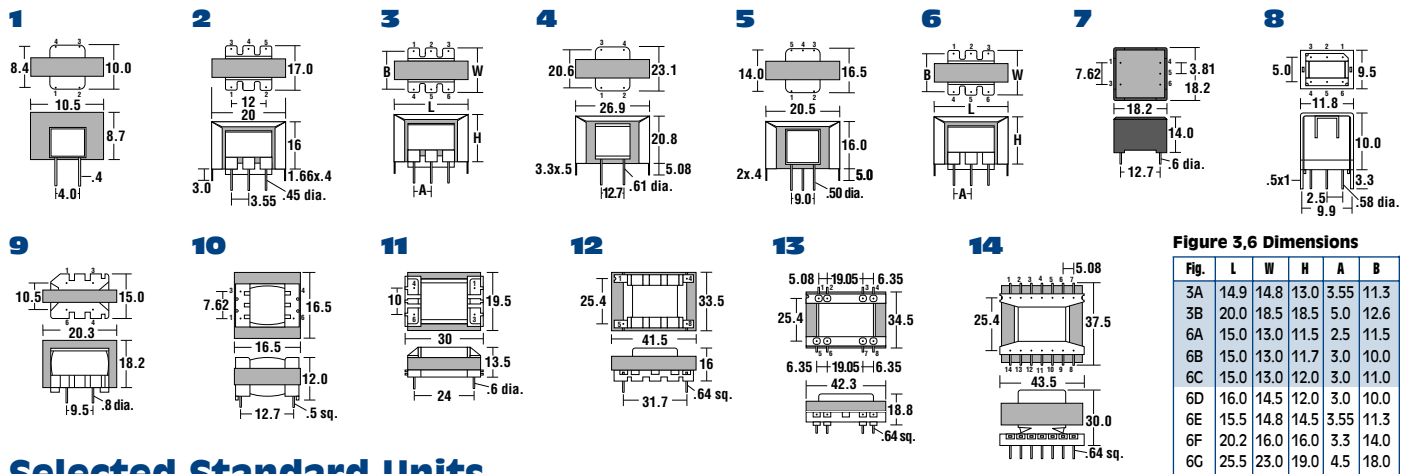
Types:

- ◆ Audio impedance matching
- ◆ Coupling
- ◆ Modem
- ◆ Pulse
- ◆ ISDN and LAN
- ◆ Open or encapsulated construction
- ◆ PC or surface mount



APX excels in the design and production of telephone transformers. Modern offshore manufacturing with stringent quality control afford you the lowest, trouble-free installed cost.

We have the technical expertise to allow you to take your product's performance to where you want, whether your need is general purpose, a plug-in performance upgrade, or a totally new, specialized application.

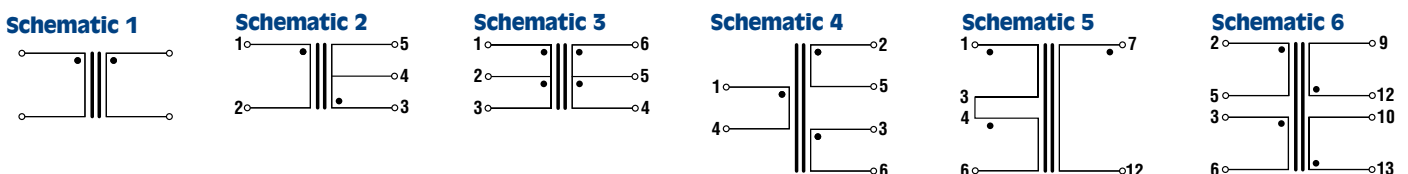


Selected Standard Units

Secondary impedance indicates the terminating resistance value

Part Number	Impedance		Insertion Loss @1Khz	Return Loss Min @300Hz	Frequency Response 300 to 3500Hz	DCR ±10%		DC unbal. Current	Dielectric Strength,VAC	Figure/Schematic
	PRI	SEC				PRI	SEC			
AP2711	600	600	1.7 dB	14 dB	±1.0 dB	56	72	0	1200	1/1
AP6000	600 CT	470 CT	1.2 dB	16 dB	±.25 dB	68	102	0	1200	8/3
AP1698	20K CT	600 CT	NA	NA	±1.0 dB	700	65	0	1200	6A/3
AP1696	500 CT	500 CT	2.0 dB	21 dB	±.5 dB	44	34	0	1000	6B/3
AP1649	8K CT	1.7K CT	2.0 dB	NA	±1 dB	500	220	0	1000	6C/3
AP1544	500 CT	8 CT	1.8 dB	NA	±1 dB	32	1.5	0	1000	6D/3
AP6001	600	10K	0.5 dB	25 dB	±.15 dB	18	425	0	1250	10/1
AP1456	10K CT	2K CT	2.0 dB	NA	±2 dB	500	200	0	1000	3A/3
AP3120	600 CT	600 CT	1.8 dB	31 dB	±0.1 dB	60	50	0	1000	6E/3
AP1695	10K CT	5K CT	1.9 dB	NA	±0.5 dB	950	550	0	1000	6F/3
AP1156	620	620 CT	1.0 dB	34 dB	±0.5 dB	40	35	5 mA	1000	2/2
AP2697	600	600 CT	2.5 dB	8 dB	±3 dB	65	86	100 mA	1500	5/2
AP1160	300	600	1.2 dB	33 dB	±0.5 dB	30	50	0	1500	3B/4
AP1697	48 CT	8 CT	2.0 dB	NA	±1.0 dB	2.5	0.5	0	1200	6G/3
AP6002	12K	2.6K	1.0 dB	NA	±.25 dB	450	135	0	3750	7/1
AP6003	600	600	0.8 dB	26 dB	±0.5 dB	37	51	0	1250	9/1
AP1139	600	600	1.0 dB	13 dB	±1.0 dB	50	30	45 mA	1500	4/1
AP3214	600	600	1.8 dB	8 dB	±2.0 dB	72	100	80 mA	3750	11/1
AP6108	600 CT	600	1.2 dB	27 dB	±0.5 dB	65	80	80 mA	1500	3/5
AP3837	600	600	Telephone Feed Coil/1.5 H Min Inductance			210	210	80 mA	1500	12/1
AP2919	600	600	1.6 dB	26 dB	±0.5 dB	100	94	75 mA	1500	13/5
AP6004	600	600	0.5 dB	12 dB	±0.5 dB	20	20	100 mA	1500	14/6

* If not listed here, chances are we've made it anyway. Please Fax specs or drawing for a prompt response.



Note: All dimensions in millimeters. Specifications subject to change.

