



WHITE LED STEP-UP CONVERTER

AP3031A

General Description

The AP3031A is an inductor-based DC/DC boost converter designed to drive LED arrays. 1.2A switching current allows AP3031A to be used in series 10 LEDs application typically.

A constant frequency 1MHz PWM control scheme is employed in this IC, which means tiny external components can be used. Specifically, 1mm tall 22 μ H inductor and 0.47 μ F output capacitor for the typical application is sufficient.

The over output voltage protection is equipped in AP3031A, which protects the IC under open load condition. The AP3031A includes UVLO, soft-start, current limit and OTSD to protect the circuit.

The AP3031A is available in standard SOT-23-6 package.

Features

- Fast 1MHz Switching Frequency
- Wide Input Voltage Range: 2.7V to 16V
- Low 200mV Feedback Voltage
- Output Over Voltage Protection:36V
- Cycle by Cycle Current Limit: 1.2A
- Built-in Soft-start
- Built-in Standby Mode to Achieve High Frequency PWM Dimming
- Built-in Thermal Shutdown Function
- Under Voltage Lockout

Applications

- Digital Photo Frame
- GPS Receiver
- EPC
- PDVD

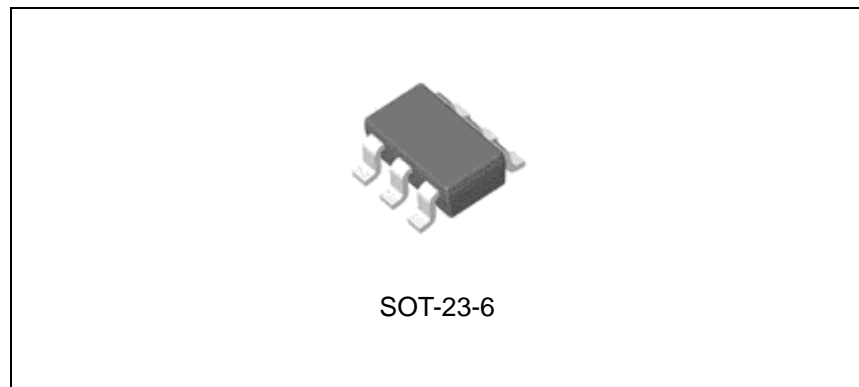


Figure 1. Package Type of AP3031A

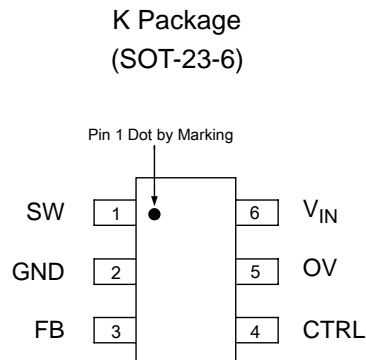

WHITE LED STEP-UP CONVERTER
AP3031A
Pin Configuration


Figure 2. Pin Configuration of AP3031A (Top View)

Pin Description

Pin Number	Pin Name	Function
1	SW	Switch Pin. Connect external inductor and Schottky
2	GND	Ground Pin
3	FB	Voltage Feedback Pin. Reference voltage is 200mV
4	CTRL	Enable and Dimming Control Pin. Connect to a high input to enable the IC or a low input to disable the IC. If logic low time is more than about 0.7ms and then enable the IC, the AP3031A will soft start to protect system departments. If logic low time is less than about 0.7ms and then enable the IC, the AP3031A will hold on standby mode and start directly to achieve high frequency dimming
5	OV	Over-voltage Protection Input Pin. Connect to the output directly. On OVP condition, the output voltage will be clamped
6	V_{IN}	Input Supply Pin. Must be locally bypassed



WHITE LED STEP-UP CONVERTER

AP3031A

Functional Block Diagram

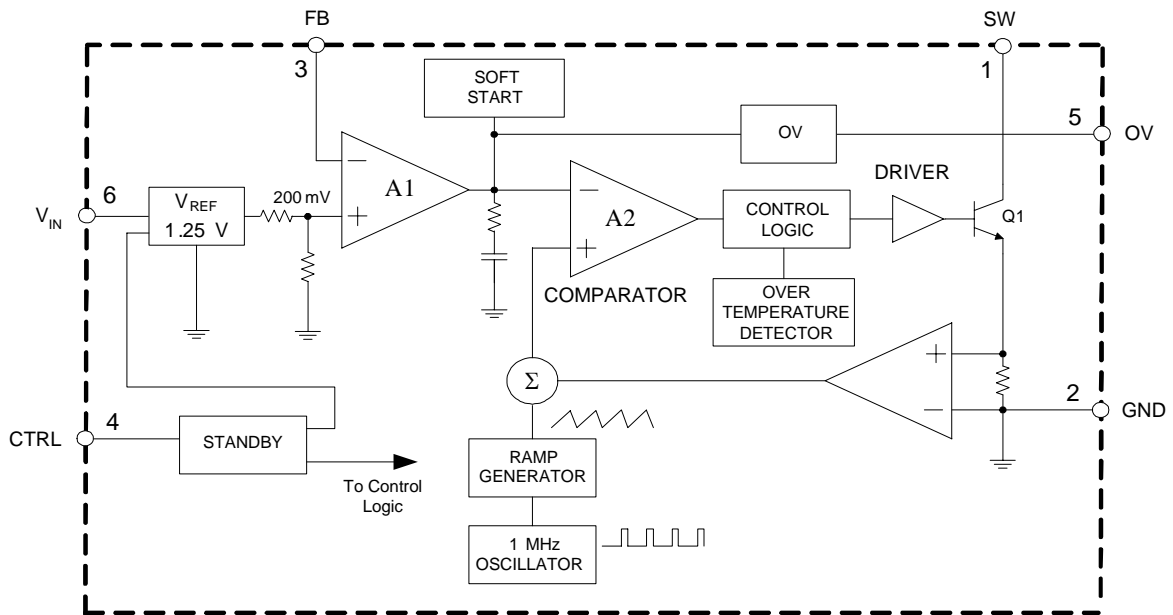
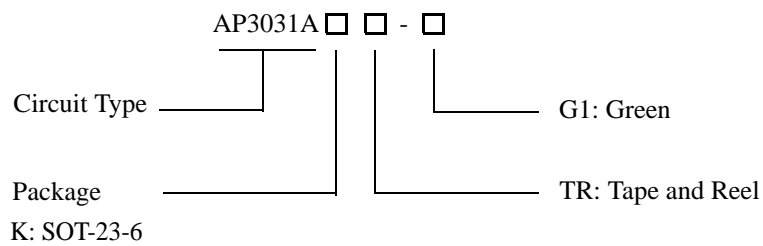


Figure 3. Functional Block Diagram of AP3031A

Ordering Information

www.DataSheet4U.com



Package	Temperature Range	Part Number	Marking ID	Packing Type
SOT-23-6	-40 to 85°C	AP3031AKTR-G1	GDH	Tape & Reel

BCD Semiconductor's Pb-free products, as designated with "G1" suffix in the part number, are RoHS compliant and green.

**WHITE LED STEP-UP CONVERTER****AP3031A****Absolute Maximum Ratings (Note 1)**

Parameter	Symbol	Value	Unit
Input Voltage	V_{IN}	-0.3 to 20	V
SW Voltage	V_{SW}	-0.3 to 38	V
FB Voltage	V_{FB}	-0.3 to 20	V
CTRL Voltage	V_{CTRL}	-0.3 to V_{IN}	V
Thermal Resistance (Junction to Ambient, No Heat Sink)	θ_{JA}	265	$^{\circ}C/W$
Junction Temperature	T_J	150	$^{\circ}C$
Storage Temperature Range	T_{STG}	-65 to 150	$^{\circ}C$
Lead Temperature (Soldering, 10sec)	T_{LEAD}	260	$^{\circ}C$
ESD (Machine Model)		600	V
ESD (Human Body Model)		4000	V

Note 1: Stresses greater than those listed under "Absolute Maximum Ratings" may cause permanent damage to the device. These are stress ratings only, and functional operation of the device at these or any other conditions beyond those indicated under "Recommended Operating Conditions" is not implied. Exposure to "Absolute Maximum Ratings" for extended periods may affect device reliability.

Recommended Operating Conditions

Parameter	Symbol	Min	Max	Unit
Operating Temperature Range	T_{OP}	-40	85	$^{\circ}C$
Input Voltage	V_{IN}	2.7	16	V
CTRL Voltage	V_{CTRL}		16	V


WHITE LED STEP-UP CONVERTER
AP3031A
Electrical Characteristics

 ($V_{IN}=5.0V$, $V_{CTRL}=5.0V$, $T_A=25^{\circ}C$, unless otherwise specified.)

Parameter	Symbol	Conditions	Min	Typ	Max	Unit
Operating Voltage	V_{IN}		2.7		16	V
Feedback Voltage (Note 2)	V_{FB}	$I_{OUT}=20mA$, $T_A=-40^{\circ}C$ to $85^{\circ}C$	188	200	212	mV
FB Pin Bias Current	I_{FB}			35	100	nA
Quiescent Current	I_Q	$V_{FB}=V_{IN}$, no switching	1.5	3.0	5.0	mA
Shutdown Quiescent Current	I_{SHDN}	$V_{CTRL}=0V$	20	50	80	μA
Switching Frequency	f		0.75	1	1.3	MHz
Maximum Duty Cycle	D_{MAX}		90	93		%
Switch Current Limit	I_{LIMIT}	$D=60\%$	1.0	1.2		A
Switch V_{CE} Saturation Voltage	V_{CESAT}	$I_{SW}=0.6A$		300		mV
Switch Leakage Current		$V_{SW}=35V$		0.01	5	μA
CTRL Pin Voltage	V_{CTRL}	Active high	1.8			V
		Active low			0.5	
CTRL Pin Bias Current	I_{CTRL}		40	55	72	μA
OVP Voltage	V_{OVP}			36		V
Soft-start Time	t_{SS}			300		μs
Standby Time	t_{STB}			0.7		ms
Thermal Shutdown	T_{OTSD}			160		$^{\circ}C$

Note 2: The bold type specifications of full temperature range are guaranteed by design (GBD).



WHITE LED STEP-UP CONVERTER

AP3031A

Typical Performance Characteristics

(WLED forward voltage (V_F)=3.2V at I_F =20mA, unless otherwise noted.)

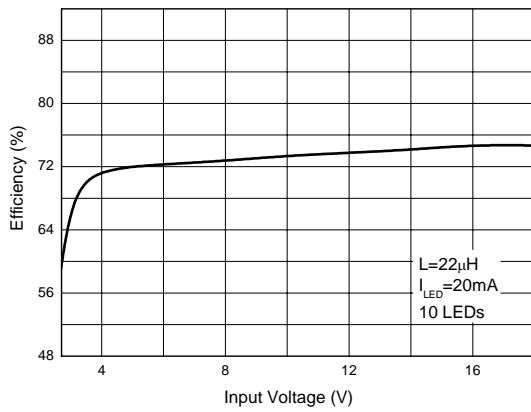


Figure 4. Efficiency vs. Input Voltage

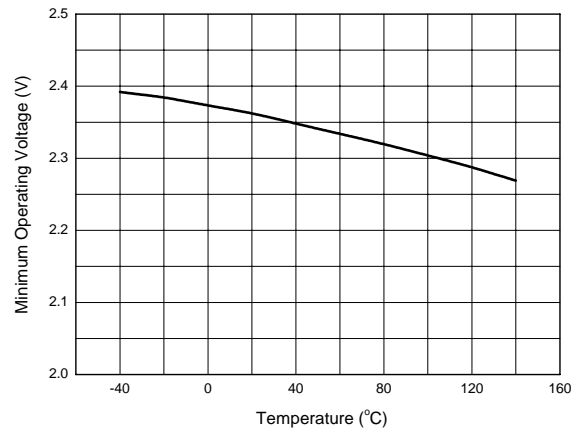


Figure 5. Minimum Operating Voltage vs. Temperature

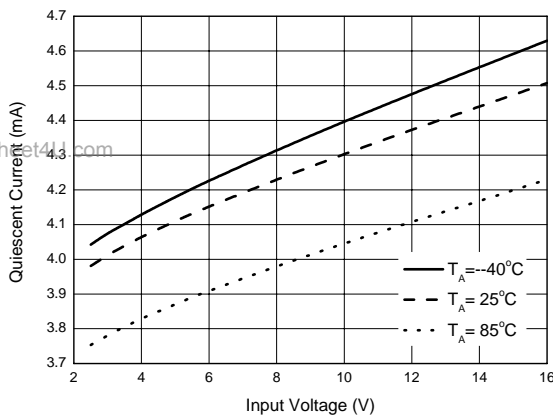


Figure 6. Quiescent Current vs. Input Voltage

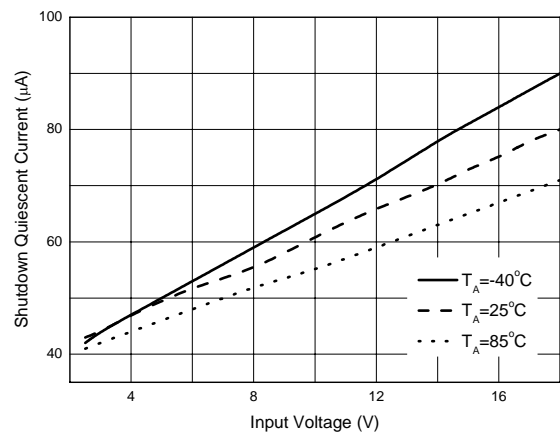


Figure 7. Shutdown Quiescent Current vs. Input Voltage



WHITE LED STEP-UP CONVERTER

AP3031A

Typical Performance Characteristics (Continued)

(WLED forward voltage (V_F)=3.2V at I_F =20mA, unless otherwise noted.)

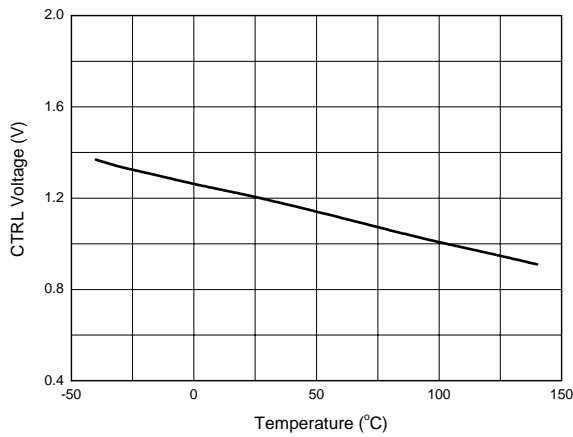


Figure 8. CTRL Pin Voltage vs. Temperature

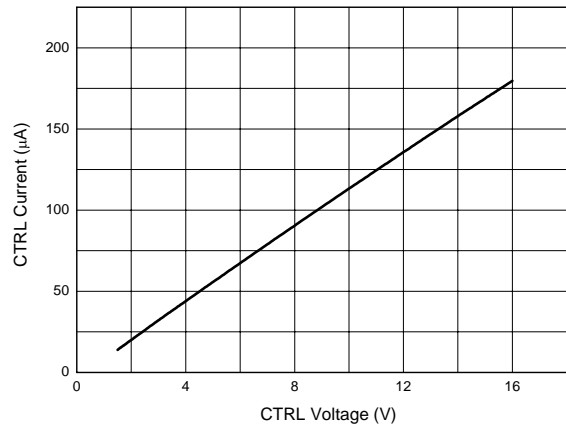


Figure 9. CTRL Current vs. CTRL Voltage

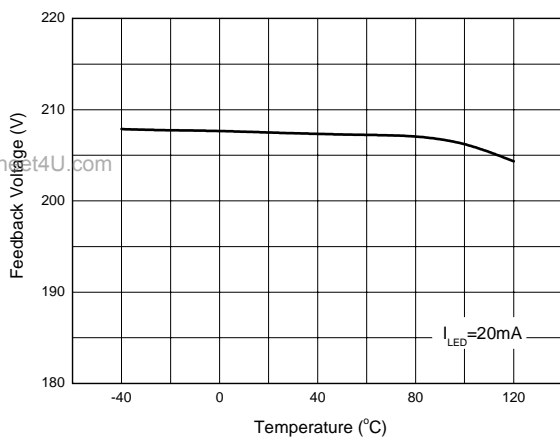


Figure 10. Feedback Voltage vs. Temperature

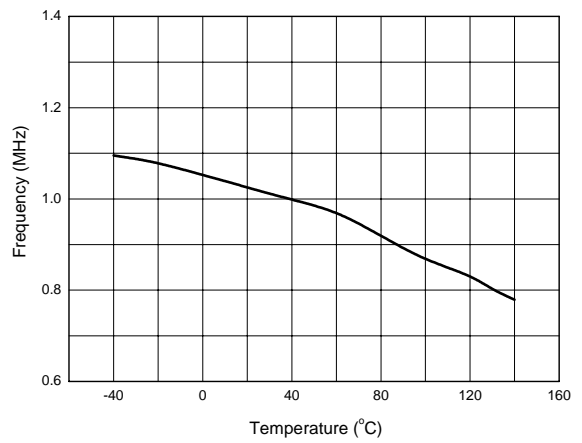


Figure 11. Frequency vs. Temperature



WHITE LED STEP-UP CONVERTER

AP3031A

Typical Performance Characteristics (Continued)

(WLED forward voltage (V_F)=3.2V at I_F =20mA, unless otherwise noted.)

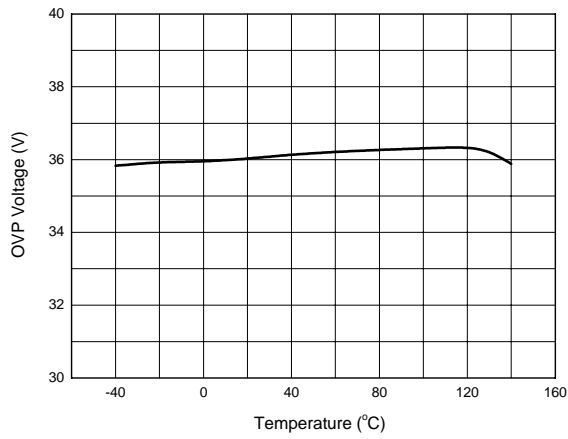


Figure 12. OVP Voltage vs. Temperature

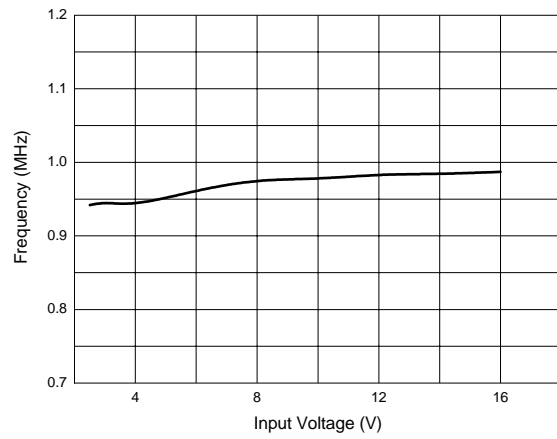


Figure 13. Frequency vs. Input Voltage

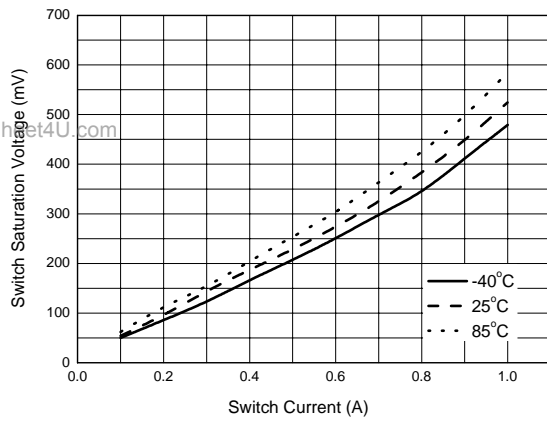


Figure 14. Switch Saturation Voltage vs. Switch Current

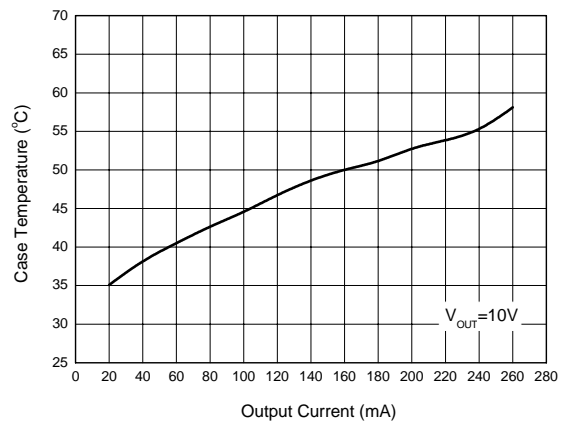


Figure 15. Case Temperature vs. Output Current

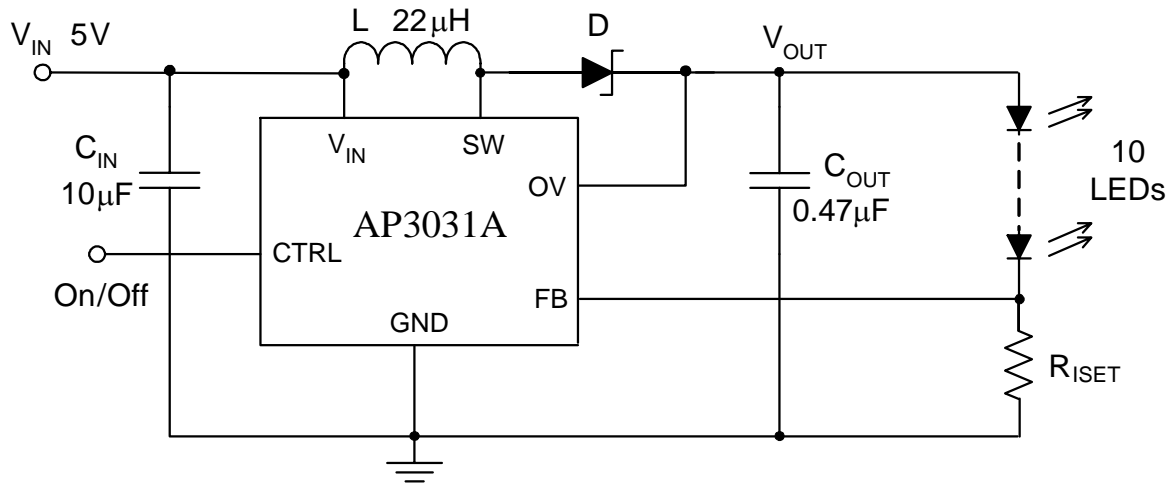

WHITE LED STEP-UP CONVERTER
AP3031A
Typical Application


Figure 16. Typical Application of AP3031A (10 WLEDs Series)



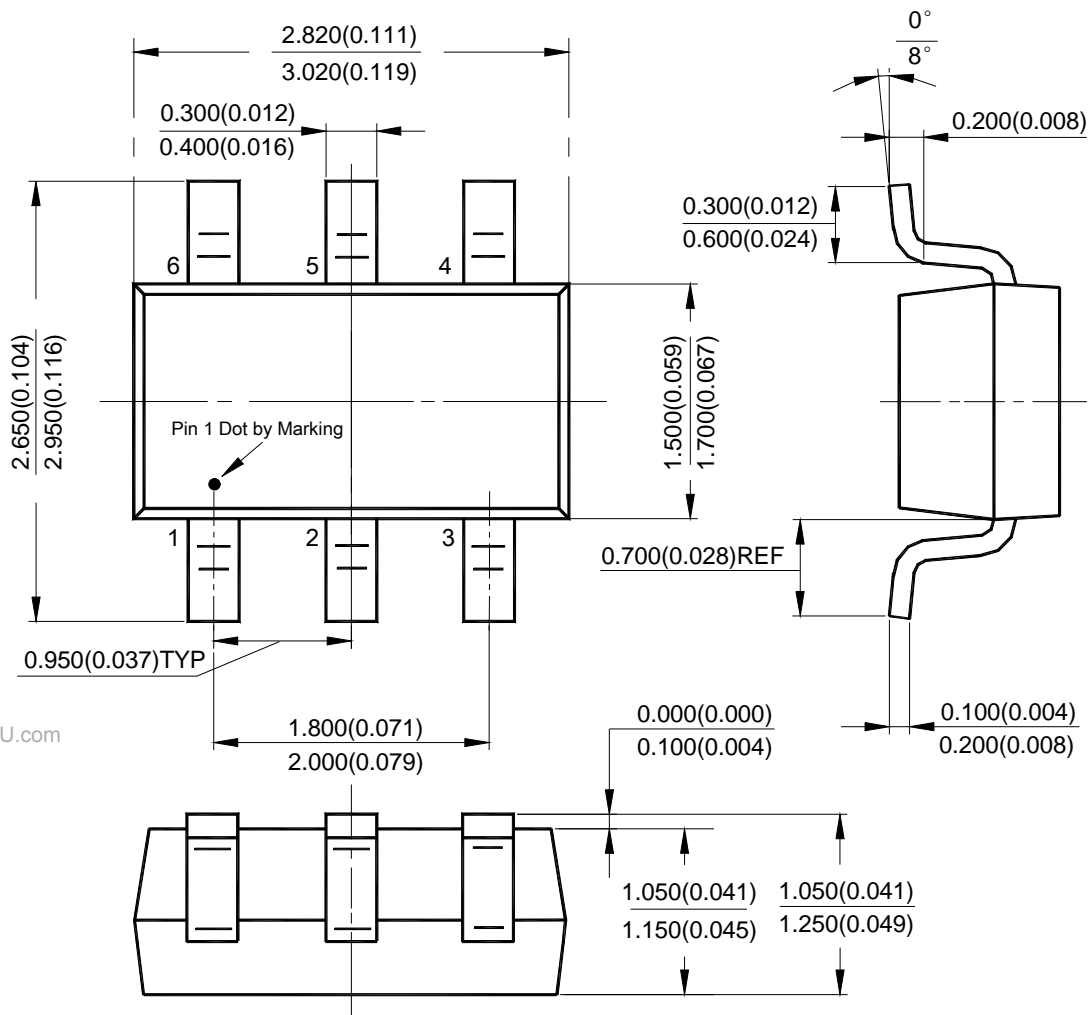
WHITE LED STEP-UP CONVERTER

AP3031A

Mechanical Dimensions

SOT-23-6

Unit: mm(inch)



www.DataSheet4U.com



BCD Semiconductor Manufacturing Limited

<http://www.bcdsemi.com>

www.DataSheet4U.com

IMPORTANT NOTICE

BCD Semiconductor Manufacturing Limited reserves the right to make changes without further notice to any products or specifications herein. BCD Semiconductor Manufacturing Limited does not assume any responsibility for use of any its products for any particular purpose, nor does BCD Semiconductor Manufacturing Limited assume any liability arising out of the application or use of any its products or circuits. BCD Semiconductor Manufacturing Limited does not convey any license under its patent rights or other rights nor the rights of others.

MAIN SITE

- Headquarters

BCD Semiconductor Manufacturing Limited

No. 1600, Zi Xing Road, Shanghai Zizhu Science-based Industrial Park, 200241, China
Tel: +86-21-24162266, Fax: +86-21-24162277

- Wafer Fab

Shanghai SIM-BCD Semiconductor Manufacturing Co., Ltd.

800 Yi Shan Road, Shanghai 200233, China
Tel: +86-21-6485 1491, Fax: +86-21-5450 0008

REGIONAL SALES OFFICE

Shenzhen Office

Shanghai SIM-BCD Semiconductor Manufacturing Co., Ltd., Shenzhen Office
Room E, 5F, Noble Center, No.1006, 3rd Fuzhong Road, Futian District, Shenzhen,
518026, China
Tel: +86-755-8826 7951
Fax: +86-755-8826 7865

Taiwan Office

BCD Semiconductor (Taiwan) Company Limited
4F, 298-1, Rui Guang Road, Nei-Hu District, Taipei,
Taiwan
Tel: +886-2-2656 2808
Fax: +886-2-2656 2806

USA Office

BCD Semiconductor Corp.
30920 Huntwood Ave. Hayward,
CA 94544, USA
Tel : +1-510-324-2988
Fax: +1-510-324-2788