

Small Package, High Performance Asynchronies Boost for 10 WLED Driver

General Description

The AP3130 is a step-up DC/DC converter specifically designed for driving white LEDs with a constant current. The internal MOSFET can support up to 10X5 White LEDs for backlighting application, and the internal soft start function can reduce the inrush current. The AP3130 uses current mode, fixed frequency of approximately 1.0MHz architecture to regulate the LED current through an external current sense resistor. The low feedback voltage of 300mV can minimize power dissipation.

Other features include current limit protection, thermal shutdown protection, under-voltage lockout (UVLO), and over-voltage function.

The AP3130 is available in space saving SOT-23-6L package.

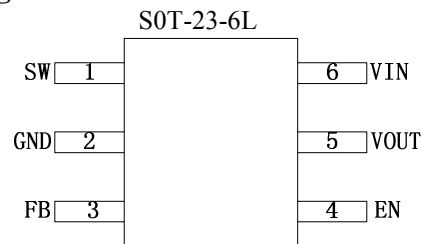
Applications

- Cellular Phones and Digital Cameras
- PDAs and Smart Phones and MP3 and OLED
- Portable Instruments
- LCD Display Power
- High-light LED Flash

Features

- VIN Operating Range : 2.5V to 5.5V
- Internal Power N-MOSFET Switch
- Wide Range for PWM Dimming (100Hz to 200kHz)
- 1.0MHz Switch Frequency
- 300mV Feedback Voltage
- 2A SW Current Limit
- Minimize the External Component Counts
- Internal Compensation
- Over Voltage Protection

Package



Typical Application Circuit

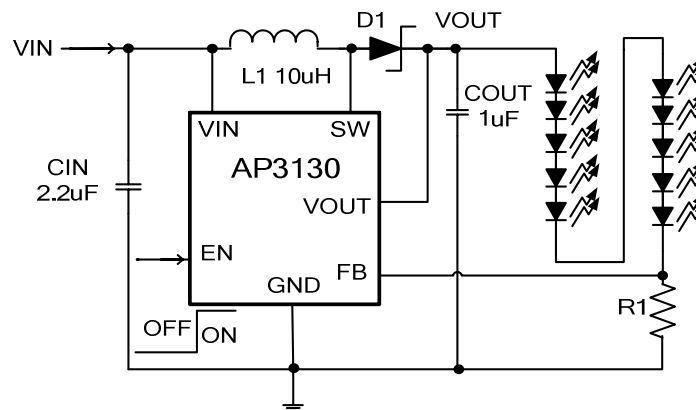


Figure 1. Basic Application Circuit with AP3130

Pin Description

Pin No.	Pin Name	Pin Function
1	SW	Switching Pin.
2	GND	Ground Pin.
3	FB	Feedback Pin. Feedback voltage is 0.3V.
4	EN	Chip Enable (Active High).
5	VOUT	Output Voltage Pin.
6	VIN	Input Supply.

Function Block Diagram

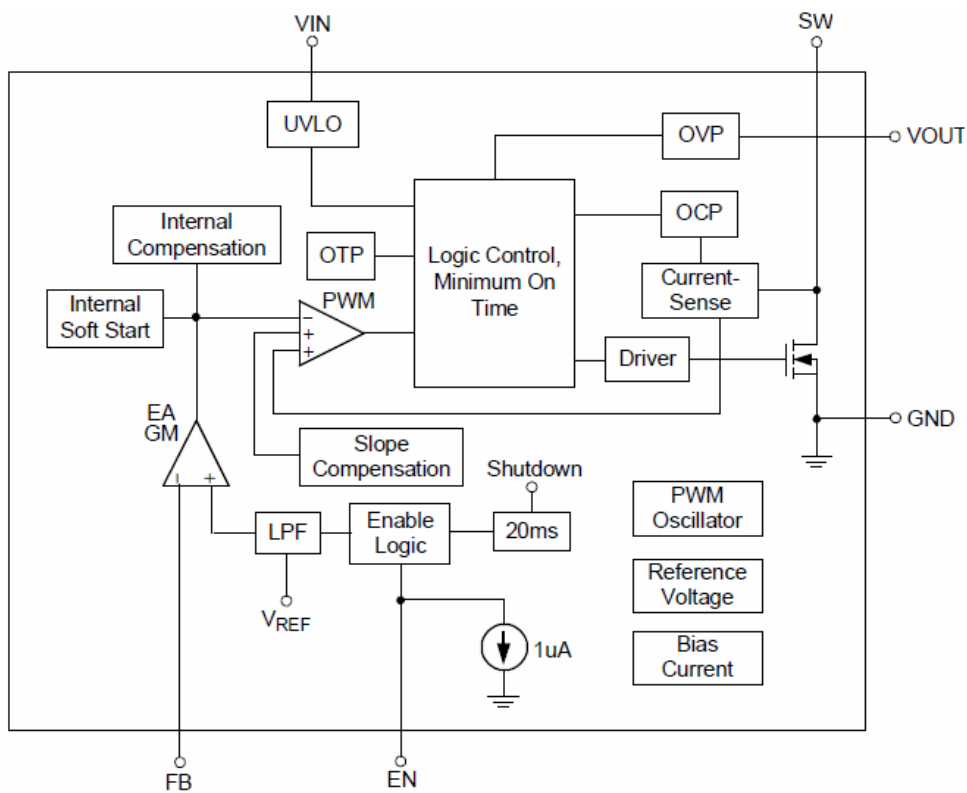


Figure 2 Function Block Diagram

Absolute Maximum Ratings ^(Note 1)

Supply Input Voltage, VIN	-----	-0.3V to 6V
Switching Pin, SW	-----	-0.3V to 40V
VOUT	-----	-0.3V to 40V
Other Pins	-----	-0.3V to 6V
Power Dissipation, PD @ TA = 25°C		
SOT-23-6L	-----	0.392W
Package Thermal Resistance ^(Note 3)		
SOT-23-6L, θ_{JA}	-----	255°C/W
Lead Temperature (Soldering, 10 sec.)	-----	260°C
Junction Temperature	-----	150°C
Storage Temperature Range	-----	-65°C to 150°C

Recommended Operating Conditions ^(Note 2)

Junction Temperature Range	-----	-40°C to 125°C
Ambient Temperature Range	-----	-40°C to 85°C

Electrical Characteristics

(VIN=3.7V, CIN=2.2uF, COUT=1uF, IOUT=20mA, L=10uH, TA = 25°C, unless otherwise specified)

Parameter	Symbol	Conditions	Min	Typ	Max	Unit
Input Voltage	VIN		2.5	--	5.5	V
Under Voltage Lock Out	VUVLO		2	2.2	2.45	V
UVLO Hysteresis			--	0.1	--	V
Quiescent Current	IQ	FB = 1.5V, No Switching	--	400	600	uA
Supply Current	IIN	FB = 0V, Switching	--	1	2	mA
Shutdown Current	ISHDN	VEN < 0.4V	--	1	4	uA
Line Regulation		VIN = 3 to 4.3V	--	1	--	%
Load Regulation		1mA to 20mA	--	1	--	%
Operation Frequency	fOSC		0.75	1	1.25	MHz
Maximum Duty Cycle			90	92	--	%
Clock Rate			0.1	--	200	kHz
Feedback Reference Voltage			285	300	315	mV
On Resistance	RDS(ON)		--	0.4	--	Ω
EN Threshold	Logic-High Voltage	VIH	1.4	--	--	V
	Logic-Low Voltage	VIL	--	--	0.5	V

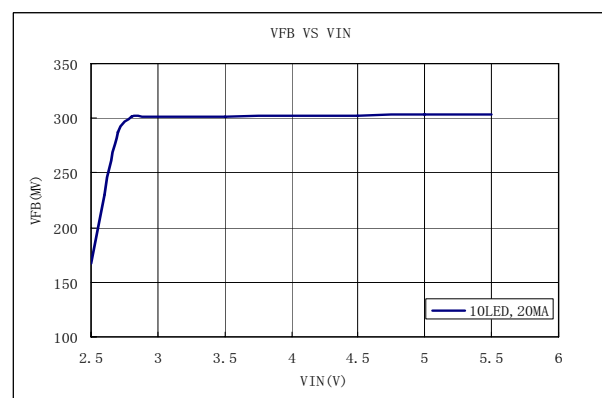
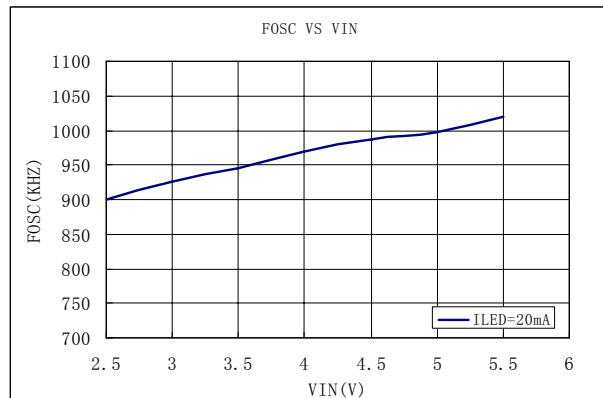
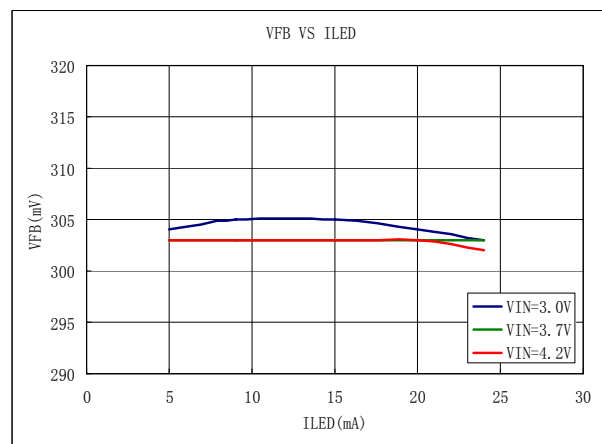
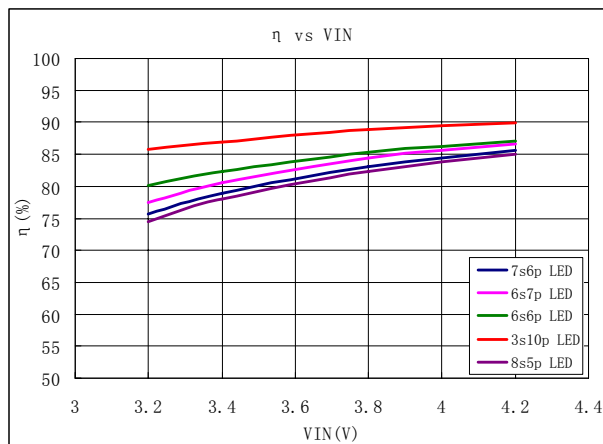
EN Sink Current	IIH	--	1	--	uA
EN Hystersis		--	0.1	--	V
Over-Voltage Threshold	VOVP	34	36	38	V
Over-Current Threshold	IOCP	--	2	--	A
OTP	TOTP	--	160	--	°C
OTP Hystersis		--	30	--	°C

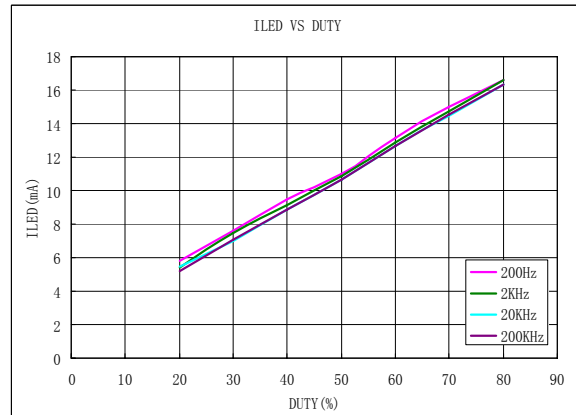
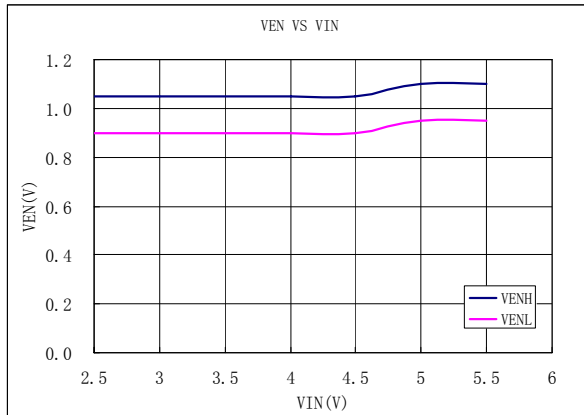
Note 1. Stresses listed as the above “Absolute Maximum Ratings” may cause permanent damage to the device. These are for stress ratings. Functional operation of the device at these or any other conditions beyond those indicated in the operational sections of the specifications is not implied. Exposure to absolute maximum rating conditions for extended periods may remain possibility to affect device reliability.

Note 2. The device is not guaranteed to function outside its operating conditions.

Note 3. θ_{JA} is measured in the natural convection at $T_A = 25^\circ\text{C}$ on a low effective single layer thermal conductivity test board of JEDEC 51-3 thermal measurement standard.

Typical Performance Characteristics





Ordering Information

Part number	Mark	Package
AP3130E3036ES6	OSXYP ¹	SOT-23-6L

1. XY=date code
P=Package factory

Applications Information

LED Current Setting

The loop of Boost structure will keep the FB pin voltage equal to the reference voltage VREF. Therefore, when RSET connects FB pin and GND, the current flows from VOUT through LED and RSET to GND will be decided by the current on RSET, which is equal to following equation.

$$I_{LED} = \frac{V_{REF}}{R_{SET}}$$

Dimming Control

a. Using a PWM Signal to EN Pin

For the brightness dimming control of the AP3130, the IC provides typically 300mV feedback voltage when the EN pin is pulled constantly high. However, EN pin allows a PWM signal to reduce this regulation voltage by changing the PWM duty cycle to achieve LED brightness dimming control. The relationship between the duty cycle and FB voltage can be calculated as following equation.

$$V_{FB} = \text{Duty} \times 300\text{mV}$$

Where

Duty = duty cycle of the PWM signal

300mV = internal reference voltage

As shown in Figure 3, the duty cycle of the PWM signal is used to cut the internal 300mV reference voltage. An internal low pass filter is used to filter the pulse signal. And then the reference voltage can be made by connecting the output of the filter to the error amplifier for the FB pin voltage regulation.

However, the internal low pass filter 3db frequency is 500Hz. When the dimming frequency is lower than 500Hz, V_A is also a PWM signal and the LED current is controlled directly by this signal. When the frequency is higher than 500Hz, PWM is filtered by the internal low pass filter and the V_A approach a DC signal. And the LED current is a DC current which eliminate the audio noise.

But there is an offset in error amplifier which will cause the V_A variation. In low PWM duty signal situation, the filtered reference voltage is low and the offset can cause bigger variation of the output current. For the AP3130, the minimum duty vs frequency is listed in following table.

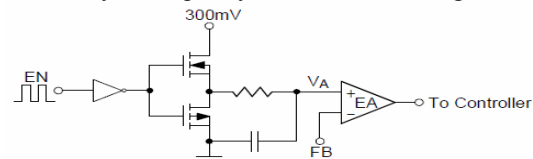


Figure 3 Block Diagram of Programmable FB Voltage Using PWM Signal

	Duty Minimum
Dimming frequency <500Hz	4%
Dimming frequency >500Hz	10%

b. Using a DC Voltage

Using a variable DC voltage to adjust the brightness is a popular method in some applications. The dimming control using a DC voltage circuit is shown in Figure 4. As the DC voltage increases, the current flows through R3 increasingly and the voltage drop on R3 increase, i.e. the LED current decreases. For example, if the VDC range is from 0V to 2.8V and VREF is equal to 0.3V, the selection of resistors in Figure 4 sets the LED current from 21mA to 0mA. The LED current can be calculated by the following equation.

$$I_{LED} = \frac{V_{REF} - \frac{R3 \times (V_{DC} - V_{REF})}{R4}}{R_{SET}}$$

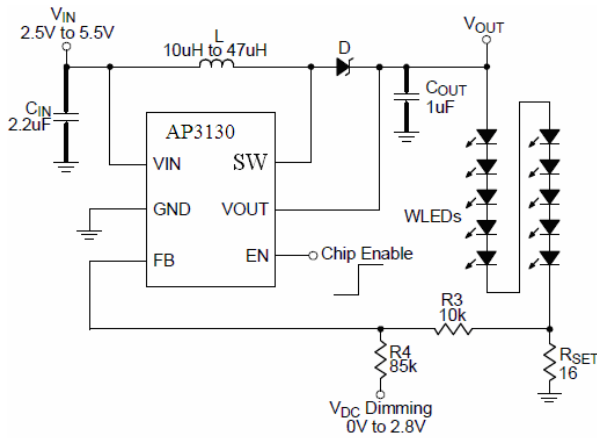


Figure 4 Dimming Control Using a DC Voltage

c. Using a Filtered PWM signal

Another common application is using a filtered PWM signal as an adjustable DC voltage for LED dimming control. A filtered PWM signal acts as the DC voltage to regulate the output current. The recommended application circuit is shown as Figure 5. In this circuit, the output ripple depends on the frequency of PWM signal. For smaller output voltage ripple (<100mV), the recommended frequency of 2.8V PWM signal should be above 2kHz. To fix the frequency of PWM signal and change the duty cycle of PWM signal can get different output current. The LED current can be calculated by the following equation.

$$I_{LED} = \frac{V_{REF} - \frac{R3 \times (V_{PWM} \times Duty - V_{REF})}{R4 + R_{DC}}}{R_{SET}}$$

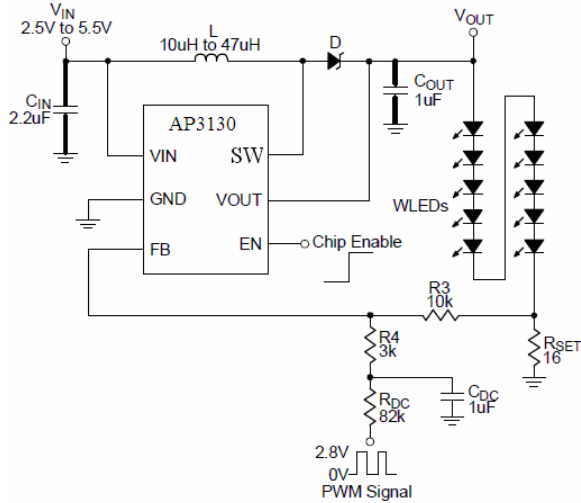


Figure 5 Dimming Control Using a Filtered PWM Signal

By the above equation and the application circuit shown in Figure 5. We can get the relationship between the LED current and PWM duty cycle. For example, when the PWM duty is equal to 60%, the LED current will be equal to 8.6mA. When the PWM duty is equal to 40%, the LED current will be equal to 12.7mA.

Power Sequence

In order to assure the normal soft start function for suppressing the inrush current the input voltage should be ready before EN pulls high.

Soft-Start

The function of soft-start is made for suppressing the inrush current to an acceptable value at the beginning of power-on. The AP3130 provides a built-in soft-start function by clamping the output voltage of error amplifier so that the duty cycle of the PWM will be increased gradually in the soft-start period.

Current Limiting

The current flow through inductor as charging period is detected by a current sensing circuit. As the value comes across the current limiting threshold, the N-MOSFET will be turned off so that the inductor will be forced to leave charging stage and enter discharging stage. Therefore, the inductor current will not increase over the current limiting threshold.

OVP/UVLO/OTP

The Over Voltage Protection is detected by a junction breakdown detecting circuit. Once VOUT goes over the detecting voltage, SW pin stops switching and the power N-MOSFET will be turned off. Then, the VOUT will be clamped to be near VOVP. As the output voltage is higher than a specified value or input voltage is lower than a specified value, the chip will enter protection mode to prevent abnormal function. As the die temperature is higher than 160°C, the chip also will enter protection mode. The power MOSFET will be turned off during protection mode to prevent abnormal operation.

Capacitor Selection

Input ceramic capacitor of 2.2uF and output ceramic capacitor of 1uF are recommended for the AP3130 applications for driving 10 series WLEDs. For better voltage filtering, ceramic capacitors with low ESR are recommended. X5R and X7R types are suitable because of their wider voltage and temperature ranges.

Inductor Selection

The recommended value of inductor for 10 WLEDs applications is from 10uH to 47uH. Small size and better efficiency are the major concerns for portable devices. The inductor should have low core loss at 1.0MHz and low DCR for better efficiency. The inductor saturation current rating should be considered to cover the inductor peak current.

Thermal Considerations

For continuous operation, do not exceed absolute maximum operation junction temperature. The maximum power dissipation depends on the thermal resistance of IC package, PCB layout, the rate of surroundings airflow and temperature difference between junction to ambient. The maximum power dissipation can be calculated by following formula :

$$P_{D(MAX)} = (T_{J(MAX)} - T_A) / \theta_{JA}$$

Where $T_{J(MAX)}$ is the maximum operation junction temperature, T_A is the ambient temperature and the θ_{JA} is the junction to ambient thermal resistance.

For the recommended operating conditions specification of AP3130, the maximum junction temperature of the die is

125°C. The junction to ambient thermal resistance θ_{JA} is layout dependent. The junction to ambient thermal resistance is 255°C/W on the standard JEDEC 51-3 single layer thermal test board. The maximum power dissipation at $T_A = 25^\circ\text{C}$ can be calculated by following formula:

$$P_{D(MAX)} = (125^\circ\text{C} - 25^\circ\text{C}) / (255^\circ\text{C/W}) = 0.392\text{W}$$

The maximum power dissipation depends on operating ambient temperature for fixed $T_{J(MAX)}$ and thermal resistance θ_{JA} . For AP3130 packages, the Figure 6 of derating curves allows the designer to see the effect of rising ambient temperature on the maximum power allowed.

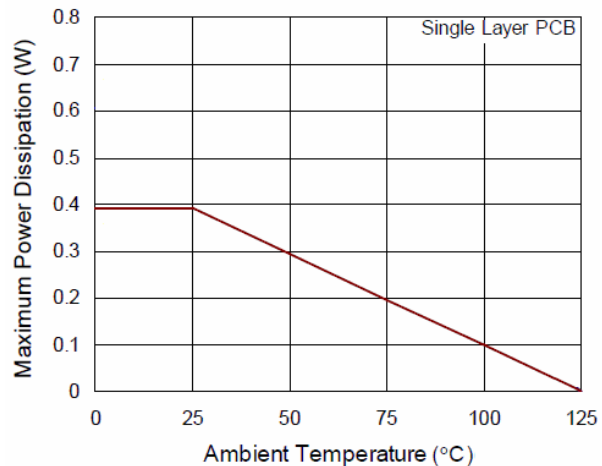


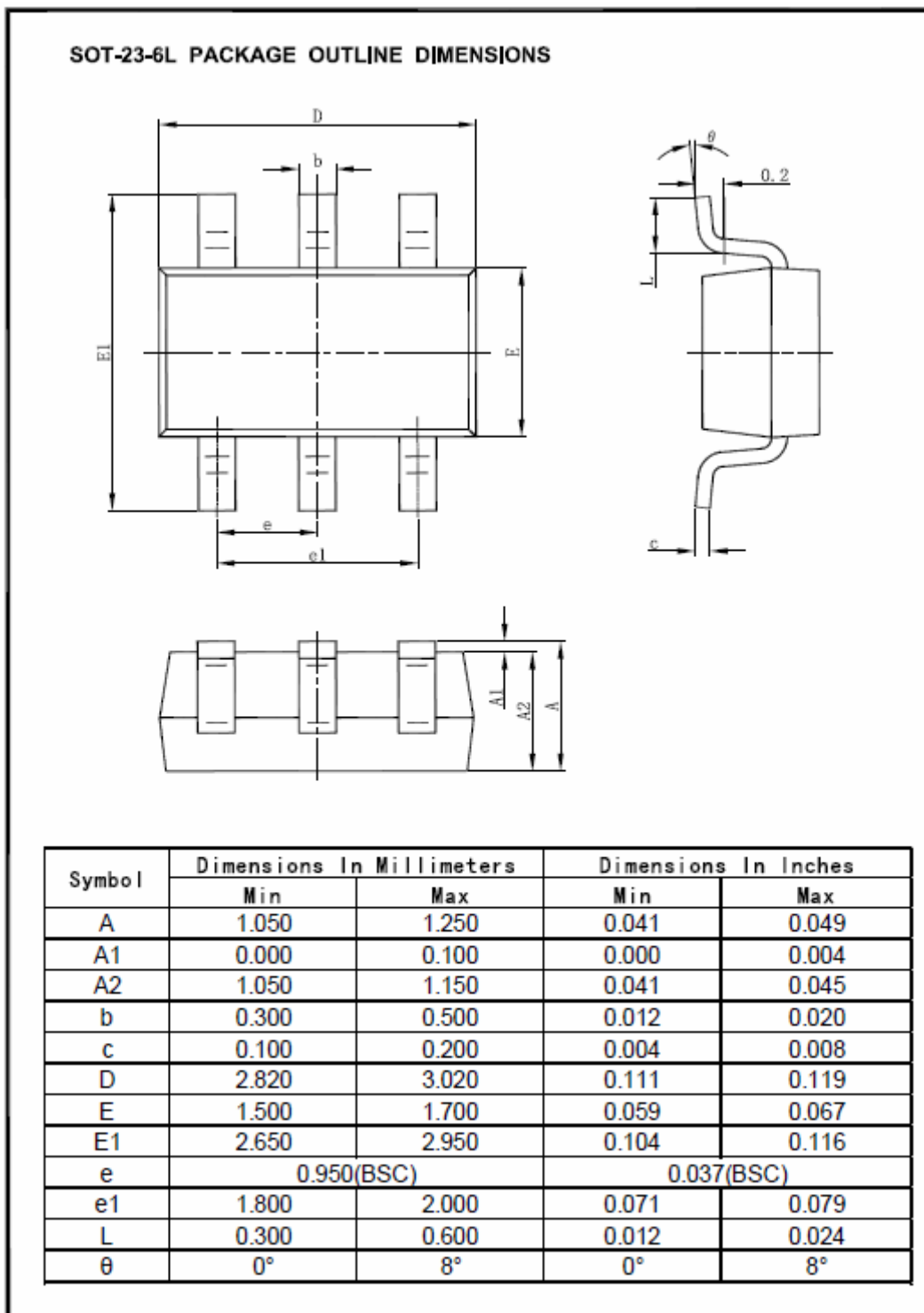
Figure 6 Derating Curves for AP3130 Packages

Layout Consideration

For best performance of the AP3130, the following guidelines must be strictly followed.

- Input and Output capacitors should be placed close to the IC and connected to ground plane to reduce noise coupling.
- The GND should be connected to a strong ground plane for heat sinking and noise protection.
- Keep the main current traces as possible as short and wide.
- SW node of DC-DC converter is with high frequency voltage swing. It should be kept at a small area.
- Place the feedback components as close as possible to the IC and keep away from the noisy devices.

Package Information



Important Notice

Chipown Microelectronics Co. Ltd. reserves the right to make changes without further notice to any products or specifications herein. Chipown Microelectronics Co. Ltd. does not assume any responsibility for use of any its products for any particular purpose, nor does Chipown Microelectronics Co. Ltd assume any liability arising out of the application or use of any its products or circuits. Chipown Microelectronics Co. Ltd does not convey any license under its patent rights or other rights nor the rights of others.