

**Integrated CPE VDSL Filter/Hybrid Solution -
(Smartphone Applications)
APC77116**

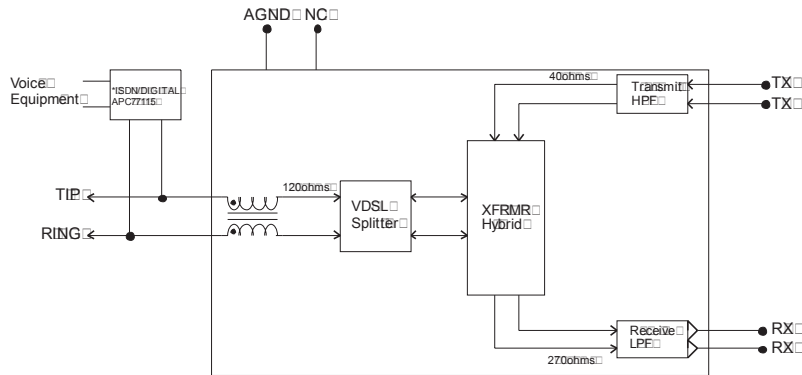


ELECTRICAL SPECIFICATIONS @ 25°C

Description	Passband Frequency	Insertion Loss max	Return Loss min	Stopband Frequency	Attenuation min	Impedance
*VDSL Splitter/Hybrid	900 kHz to 7.9 MHz	0.8 dB	10 dB	20 kHz to 700 kHz 600kHz to 700 kHz	50 dB 25 dB	120 ohms
Receive LPF	900 kHz to 3.3 MHz	1.2 dB	12 dB	4.0 MHz to 7.9 MHz	35 dB	270 ohms
Transmit HPF	4.0 MHz to 7.9 MHz	0.8 dB	10 dB	900 kHz to 3.3 MHz	15 dB	40 ohms

NOTES: *TRANSYBRID LOSS THROUGH VDSL SPLITTER/HYBRID IS > 15dB MIN
 PROVIDES 1500VRMS ISOLATION VOLTAGE. INCORPORATES XDSDL CHOKE > 35dB MIN
 PROVIDES ISOLATION OF SELV AND TNV3 CIRCUITS IN ACCORDANCE WITH IEC 60950, EN 60950 AND UL 60950
 COMPONENT APPROVAL EXCLUDES NORWAY AND SWEDEN
 END SYSTEM COMPLIANCE TO IEC 60950, EN 60950 AND UL 60950 IS THE RESPONSIBILITY OF THE INSTALLER

SCHEMATIC



*PLEASE REFER TO APC77115 DATASHEET FOR APPLICATION NOTES ON ISDN/DIGITAL SPLITTER.

MECHANICAL

Device pinout

PIN	ALLOCATION
1	SHIELD/GND
2	SHIELD/GND
3	Tx-
4	Tx+
5	Rx+
6	Rx-
7	LINE
8	LINE

NOTES: ALL TOLERANCES +/- 0.010
0.25