

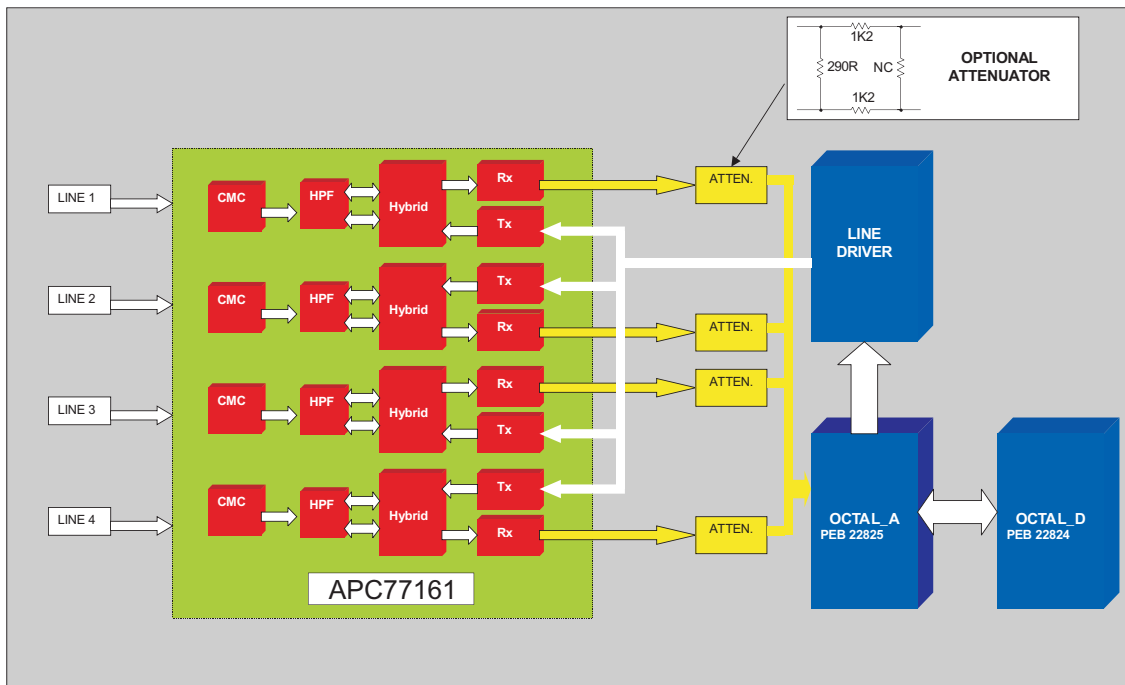
## Asymmetric 2 Band VDSL Application APC77161

### FEATURES

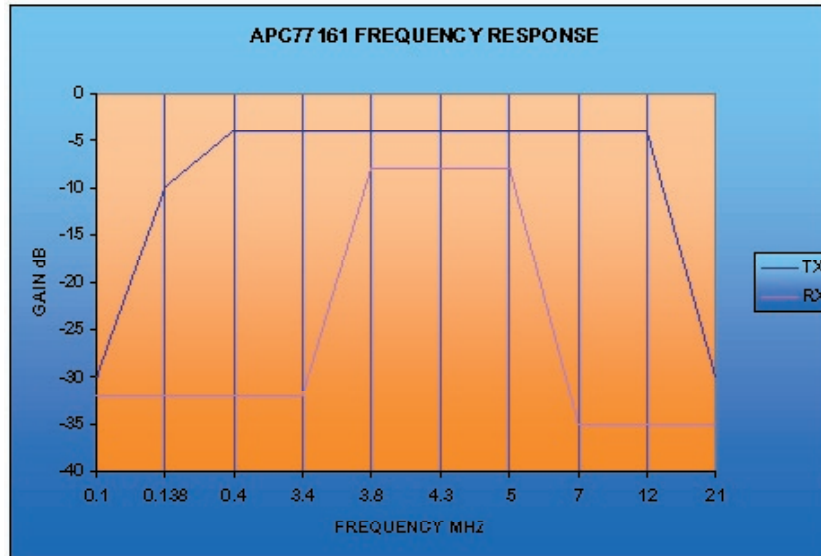
- Plan 998 Compatible
- Incorporates xDSL choke >35dBmin
- Miniature footprint for increased Line-card density

www.DataSheet4U.com Provides 1500Vrms isolation voltage

### BLOCK DIAGRAM

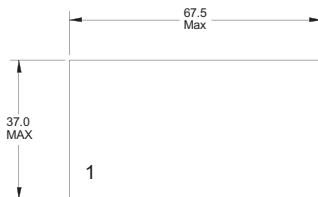


### FREQUENCY ALLOCATION

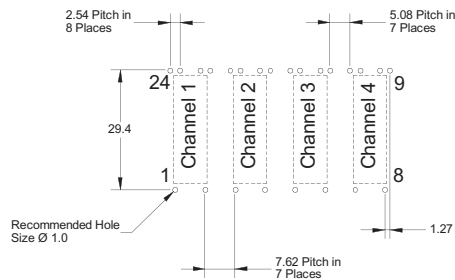


### MECHANICAL

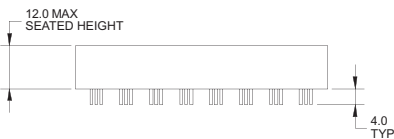
Top View



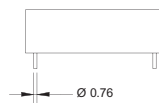
Recommended PCB Layout



Side View



End View



Signal	Channel 1	Channel 2	Channel 3	Channel 4
Line +	Pin 1	Pin 3	Pin 5	Pin 7
Line -	Pin 2	Pin 4	Pin 6	Pin 8
Tx +	Pin 21	Pin 19	Pin 13	Pin 11
Tx -	Pin 22	Pin 20	Pin 14	Pin 12
Rx +	Pin 23	Pin 17	Pin 15	Pin 9
Rx -	Pin 24	Pin 18	Pin 16	Pin 10

©2003 Bel Fuse Inc. Specifications subject to change without notice. 05.20.03

#### CORPORATE

Bel Fuse Inc.  
206 Van Vorst Street  
Jersey City, NJ 07302  
Tel 201-432-0463  
Fax 201-432-9542  
www.belfuse.com

#### FAR EAST

Bel Fuse Ltd.  
8F / 8 Luk Hop Street  
San Po Kong  
Kowloon, Hong Kong  
Tel 852-2328-5515  
Fax 852-2352-3706  
www.belfuse.com

#### EUROPE

Bel Stewart Connector  
45/46 Riverside  
Medway City Estate  
Rochester, Kent ME2 4DP U.K.  
Tel 44-1634-722890  
Fax 44-1634-716677  
www.belfuse.com