

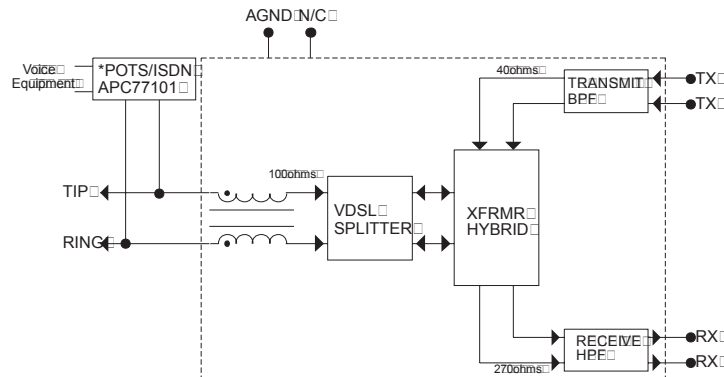
**Integrated CO Filter/Hybrid Solution VDSL / 10BaseS  
for Infineon PEB 22810/11/12/22 Chipset  
APC77162**

**ELECTRICAL SPECIFICATIONS @ 25°C**

Description	Passband Frequency	Insertion Loss max	Return Loss min	Stopband Frequency	Attenuation min	Impedance
*VDSL Splitter/Hybrid	138 kHz to 7.9 MHz					100 ohms
Receive HPF	4.3 MHz to 7.9 MHz	0.8 dB	12 dB	138kHz to 3.9MHz	30 dB	270 ohms
Transmit BPF	138 kHz to 7.9 MHz	0.8 dB	12 dB			40 ohms

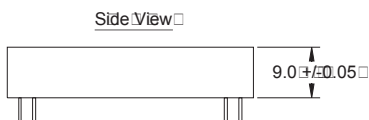
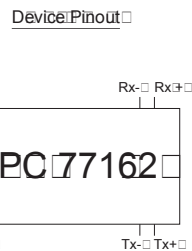
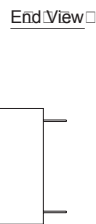
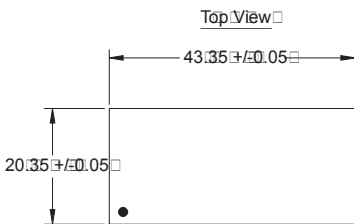
\*TRANSHYBRID LOSS THROUGH VDSL SPLITTER/HYBRID IS > 15dB MIN  
PROVIDES 1500VRMS ISOLATION VOLTAGE. INCORPORATES XDSL CHOKE > 35dB MIN

**SCHEMATIC**

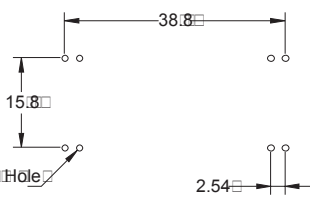


\*PLEASE REFER TO APC77101 DATASHEET FOR APPLICATION NOTES ON POTS/ISDN SPLITTER.

**MECHANICAL**



Recommended PCB Layout



NOTE: ALL TOLERANCES ARE +/- 0.010 / 0.25

Recommended Hole Size: Ø 1.0

Pin	Signal
1	AGND
2	NC
3	TX -
4	TX +
5	RX +
6	RX -
7	LINE
8	LINE

©2003 Bel Fuse Inc. Specifications subject to change without notice. 07.17.03