



APX9145

High Sensitivity Hall Effect Sensor IC with FG Output

Features

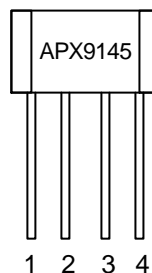
- On-chip Hall Sensor
- Build-in Output Zener Diodes to Clamp the Peak Output Voltage
- Build-in Frequency Generation Output
- High Output Sinking Capability up to 400mA
- High Sensitivity Hall Effect Sensor IC: $\pm 65G$
- 4 pin TO-92M Package
- Lead Free Available (RoHS Compliant)

General Description

The APX9145 is an integrated Hall Effect Sensor IC with frequency generation output for electric commutation of DC brushless motor applications.

The APX9145 is available in a low cost TO-92M4 package.

Pin Outs



- Front View
- 1 : FG
 - 2 : DO
 - 3 : DOB
 - 4 : GND

Applications

- Brushless DC Fan

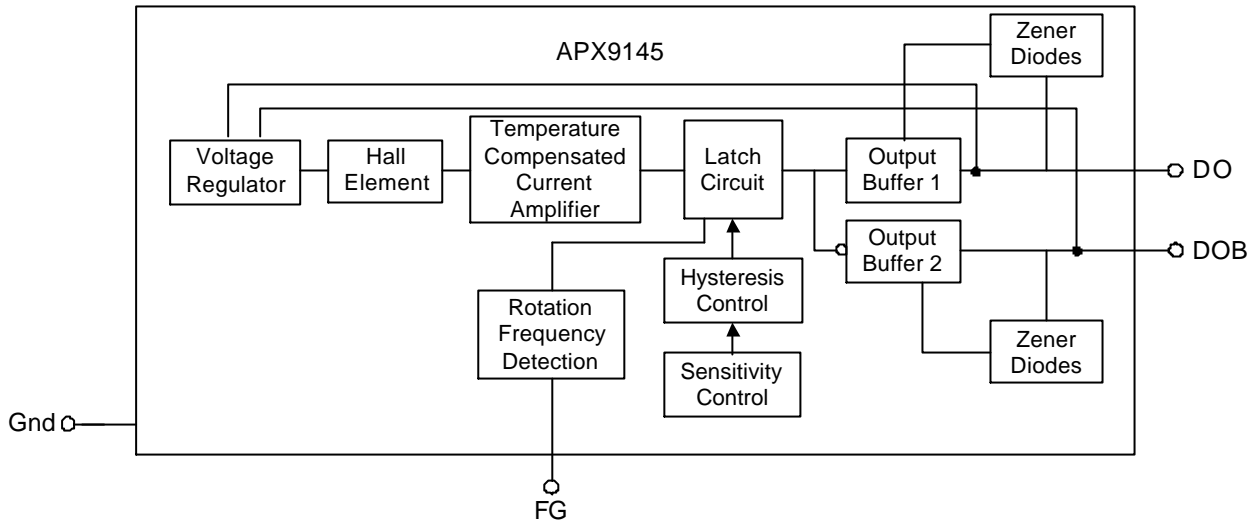
Ordering and Marking Information

<p>APX9145 □ □ - □ □ □</p> <ul style="list-style-type: none"> └─ □ □ □ ── Lead Free Code └─ □ □ ─── Handling Code └─ □ ─── Temp. Range └─ □ ─── Package Code 	<p>Package Code E : TO - 92M4</p> <p>Operating Ambient Temp. Range E : - 20 to 70°C</p> <p>Handling Code PB : Plastic Bag TB : Tape & Box TR : Tape & Reel</p> <p>Lead Free Code L : Lead Free Device Blank : Original Device</p>
<p>APX9145 E : APX 9145 XXXXX</p>	<p>XXXXX - Date Code</p>

Note: ANPEC lead-free products contain molding compounds/die attach materials and 100% matte tin plate termination finish; which are fully compliant with RoHS and compatible with both SnPb and lead-free soldering operations. ANPEC lead-free products meet or exceed the lead-free requirements of IPC/JEDEC J STD-020C for MSL classification at lead-free peak reflow temperature.

ANPEC reserves the right to make changes to improve reliability or manufacturability without notice, and advise customers to obtain the latest version of relevant information to verify before placing orders.

Block Diagram



Pin Description

PIN		Description
No.	Name	
1	FG	Open collector pin for rotation frequency detection
2	DO	Coil output / Power input
3	DOB	Coil output / Power input
4	GND	IC ground

Absolute Maximum Ratings ($T_A = 25^\circ\text{C}$ unless otherwise noted)

Symbol	Parameter	Rating	Unit
V_{CC}	Supply Voltage (DO/DOB Voltage)	25	V
V_{OFF}	FG Pin Off Voltage	25	V
I_{FG}	FG Sink Current	10	mA
I_{OUT}	Output Current	500	mA
P_D	Maximum Power Dissipation	500	mW
T_J	Junction Temperature Range	-20 to 150	°C
T_{STG}	Storage Temperature Range	-65 to 150	
T_{SOL}	Soldering Temperature (10 Sec.)	260	

Note 1: Stresses beyond the absolute maximum rating may damage the device and operating in the absolute maximum rating conditions may affect device reliability.

Note 2: The maximum allowable power dissipation at any T_A (ambient temperature) is calculated using: $P_D(\text{max}) = (T_J - T_A) / \theta_{JA}$; $T_J = 125^\circ\text{C}$. Exceeding the maximum allowable power dissipation will result in excessive die temperature.

Recommended Operating Conditions ($T_A = 25^\circ\text{C}$)

Symbol	Parameter	Rating	Unit
V_{CC}	Supply voltage (DO/DOB Voltage)	3.7 to 20	V
I_{OUT}	Maximum Output Sink Current	400	mA
I_{FG}	Maximum FG Sink Current	5	mA
V_{OFF}	Maximum FG Pin Off Voltage	20	V
T_J	Operating Ambient Temperature	-20 to 70	$^\circ\text{C}$
T_A	Junction Temperature Range	-20 to 125	$^\circ\text{C}$

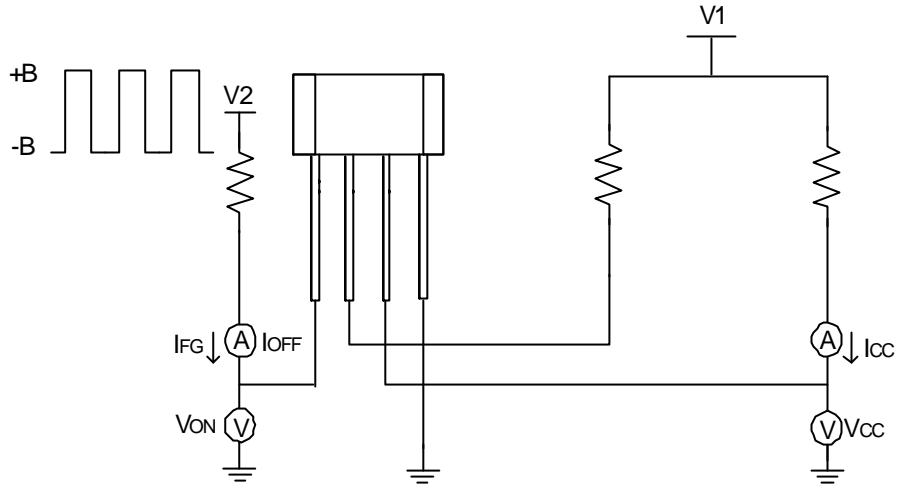
Electrical Characteristics ($T_A = 25^\circ\text{C}$, $V_{CC}=12\text{V}$ unless otherwise noted)

Symbol	Parameter	Test Condition	APX9145			Unit
			Min.	Typ.	Max.	
V_{SAT}	Output Saturation Voltage	$I_{OUT} = 400\text{mA}$		700	900	mV
I_{CC}	Supply Current			11	15	mA
I_{OFF}	FG OFF Leakage Current				1	μA
V_{ON}	FG ON Saturation Voltage	$I_{FG} = 5\text{mA}$		0.2	0.4	V
V_{clamp}	Clamp Output Voltage			33		V
t_r	Output Rise Time	$R_L = 200\Omega$, $C_L = 10\text{pF}$		0.4		μS
t_f	Output Fall Time	$R_L = 200\Omega$, $C_L = 10\text{pF}$		0.1		μS
t_d	Propagation Delay Time	$R_L = 200\Omega$, $C_L = 10\text{pF}$		2		μS

Magnetic Characteristics ($T_A = 25^\circ\text{C}$, $V_{CC}=12\text{V}$ unless otherwise noted)

Symbol	Parameter	Test Condition	APX9145			Unit
			Min.	Typ.	Max.	
Bop	Magnetic Operate Points		10		65	Gauss
Brp	Magnetic Release Points		-65		-10	Gauss

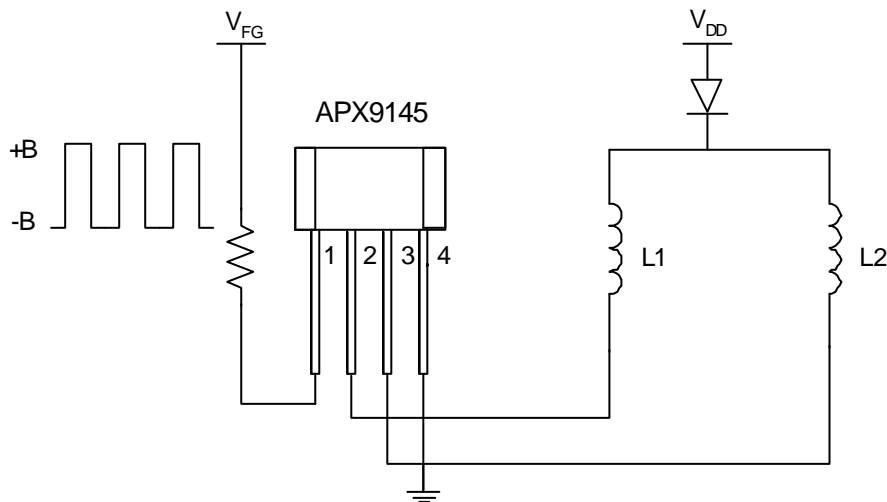
Test Circuit



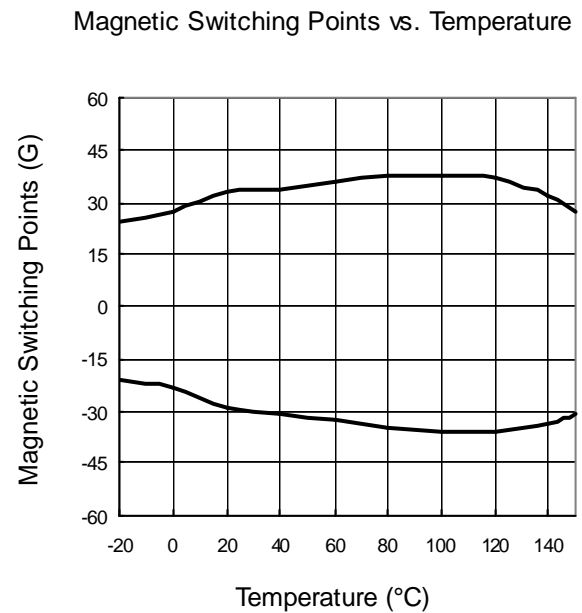
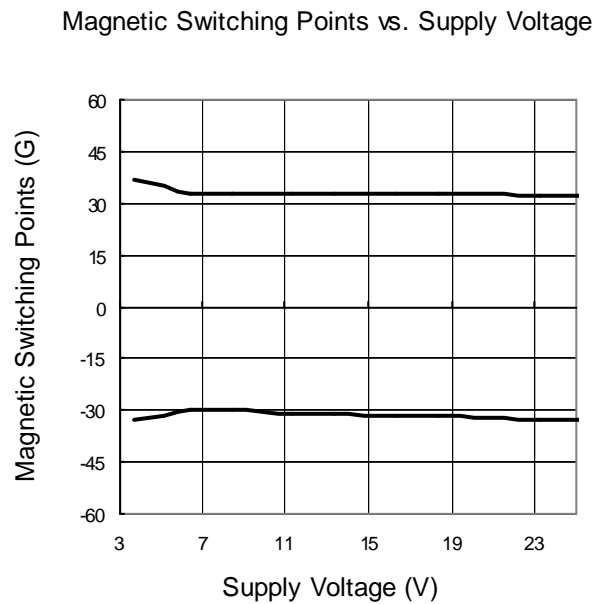
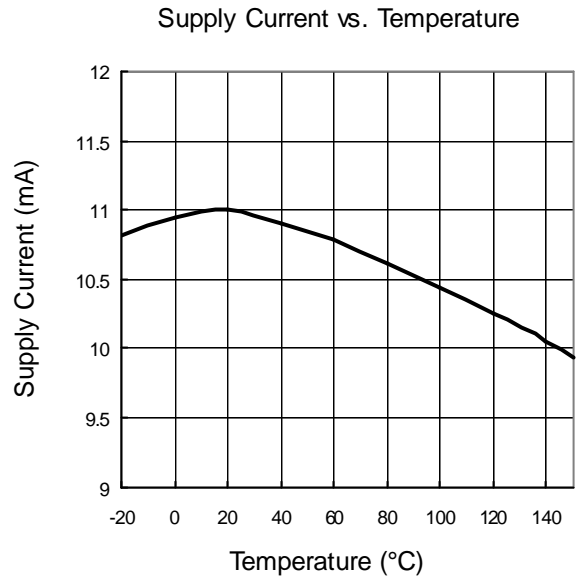
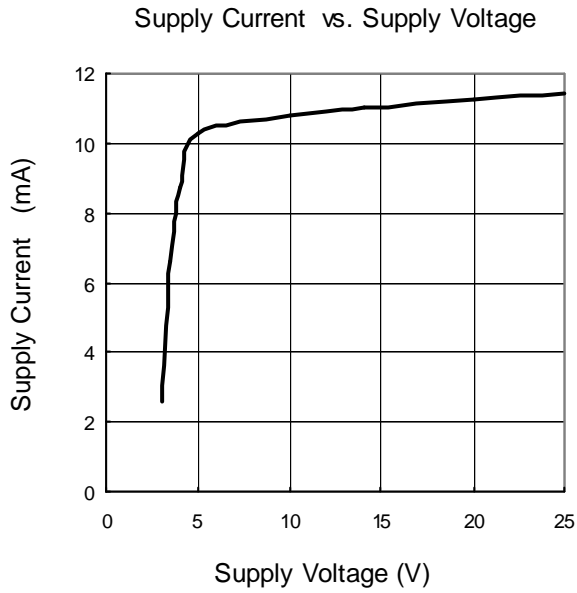
- Note 1: Measure V_{CC} , I_{CC} when DO is off.
- Note 2: Measure V_{ON} , I_{FG} when FG is on.
- Note 3: Measure I_{OFF} when FG is off.

Application Circuit

Typical DC brushless fan application circuit

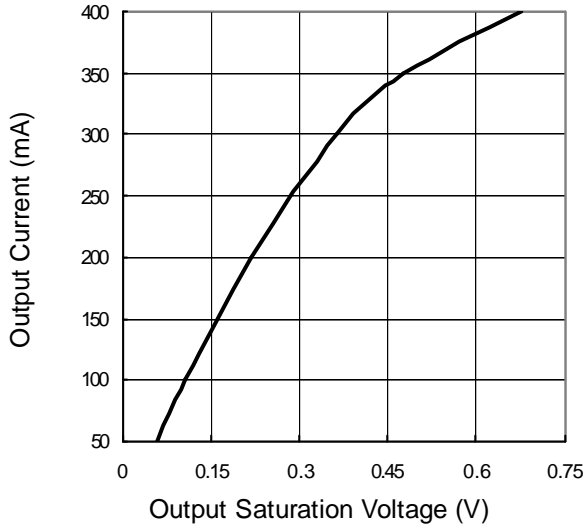


Typical Characteristics ($T_A = 25^\circ\text{C}$, $V_{CC}=12\text{V}$ unless otherwise noted)

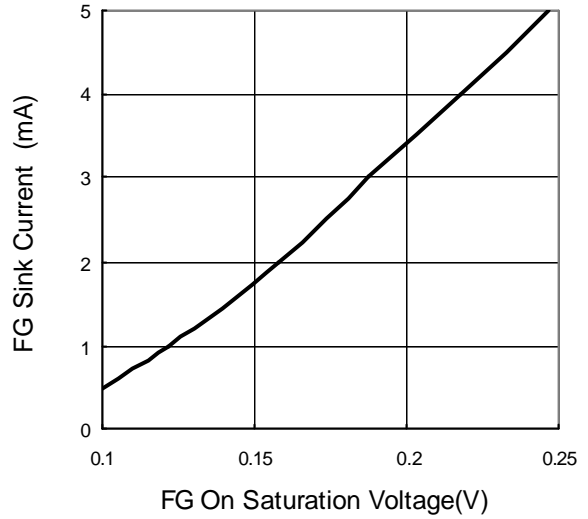


Typical Characteristics (Cont.)

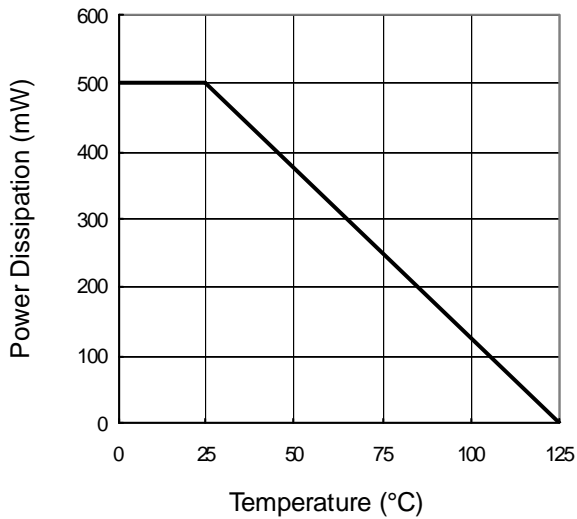
Output Current vs. Output Saturation Voltage



FG Sink Current vs FG On Saturation Voltage

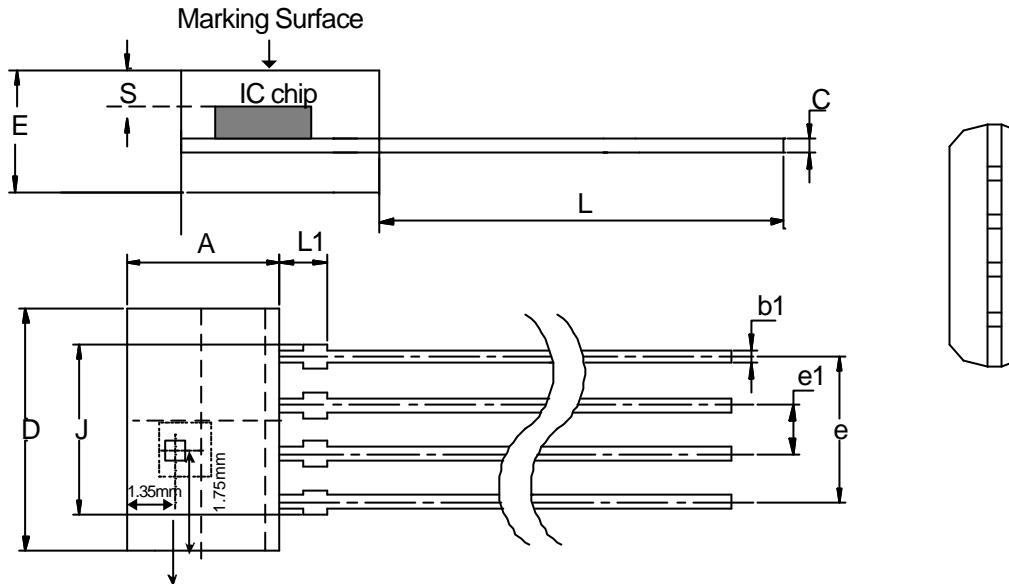


Power Dissipation vs. Temperature



Package Information

TO-92M4



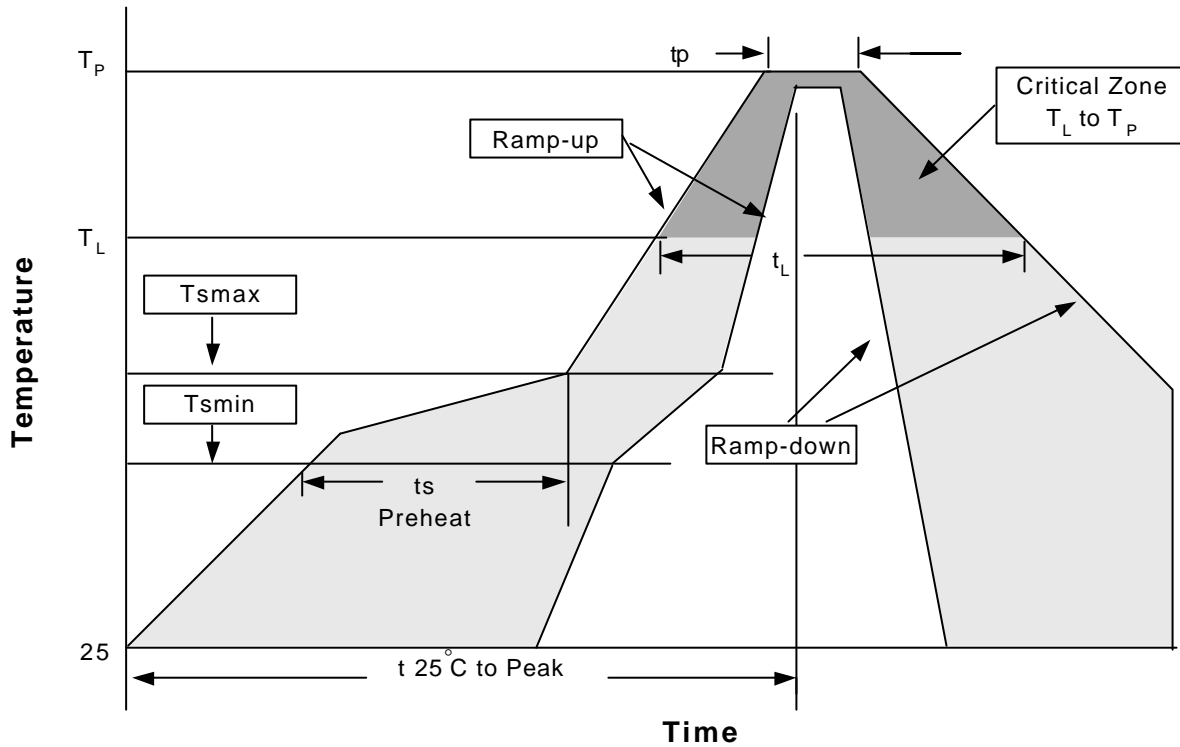
Sensitive Area (0.286 \times 0.286mm²)
 Position of Hall Sensor
 reference to the top-left of package
 $x = 1.35 \pm 0.1 \text{mm}$
 $y = 1.75 \pm 0.1 \text{mm}$

Dim	Millimeters		Inches	
	Min.	Max.	Min.	Max.
A	3.60	3.70	0.141	0.145
b1	0.35	0.41	0.014	0.016
C	0.351	0.411	0.014	0.016
D	5.17	5.27	0.203	0.207
e	3.78	3.84	0.148	0.150
e1	1.24	1.30	0.049	0.051
E	1.50	1.60	0.059	0.063
J	4.04	4.34	0.158	0.170
L	14.0	15.0	0.549	0.588
L1	1.342	1.542	0.053	0.060
S	0.45	0.55	0.018	0.022

Physical Specifications

Terminal Material	Solder-Plated Copper (Solder Material : 90/10 or 63/37 SnPb), 100%Sn
Lead Solderability	Meets EIA Specification RSI86-91, ANSI/J-STD-002 Category 3.

Reflow Condition (IR/Convection or VPR Reflow)



Classification Reflow Profiles

Profile Feature	Sn-Pb Eutectic Assembly	Pb-Free Assembly
Average ramp-up rate (T _L to T _P)	3°C/second max.	3°C/second max.
Preheat		
- Temperature Min (T _{smin})	100°C	150°C
- Temperature Max (T _{smax})	150°C	200°C
- Time (min to max) (t _s)	60-120 seconds	60-180 seconds
Time maintained above:		
- Temperature (T _L)	183°C	217°C
- Time (t _L)	60-150 seconds	60-150 seconds
Peak/Classification Temperature (T _P)	See table 1	See table 2
Time within 5°C of actual Peak Temperature (t _p)	10-30 seconds	20-40 seconds
Ramp-down Rate	6°C/second max.	6°C/second max.
Time 25°C to Peak Temperature	6 minutes max.	8 minutes max.

Notes: All temperatures refer to topside of the package .Measured on the body surface.

Classification Reflow Profiles (Cont.)

Table 1. SnPb Eutectic Process – Package Peak Reflow Temperatures

Package Thickness	Volume mm ³ <350	Volume mm ³ ≥350
<2.5 mm	240 +0/-5 °C	225 +0/-5 °C
≥2.5 mm	225 +0/-5 °C	225 +0/-5 °C

Table 2. Pb-free Process – Package Classification Reflow Temperatures

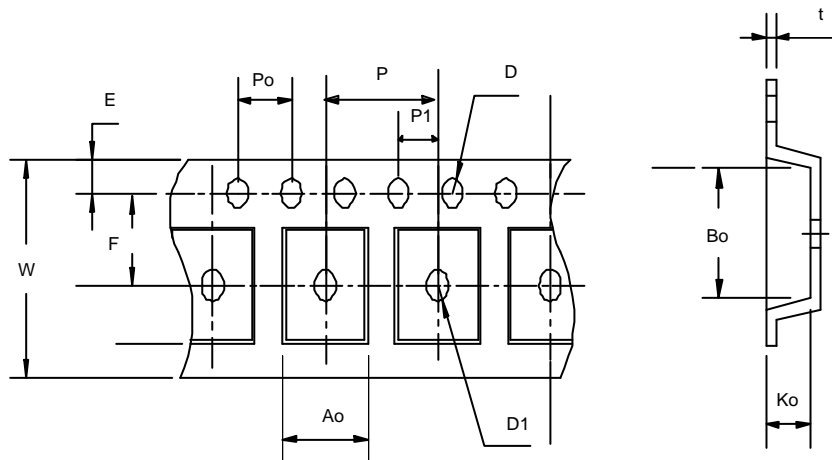
Package Thickness	Volume mm ³ <350	Volume mm ³ 350-2000	Volume mm ³ >2000
<1.6 mm	260 +0°C*	260 +0°C*	260 +0°C*
1.6 mm – 2.5 mm	260 +0°C*	250 +0°C*	245 +0°C*
≥2.5 mm	250 +0°C*	245 +0°C*	245 +0°C*

*Tolerance: The device manufacturer/supplier **shall** assure process compatibility up to and including the stated classification temperature (this means Peak reflow temperature +0°C. For example 260°C+0°C) at the rated MSL level.

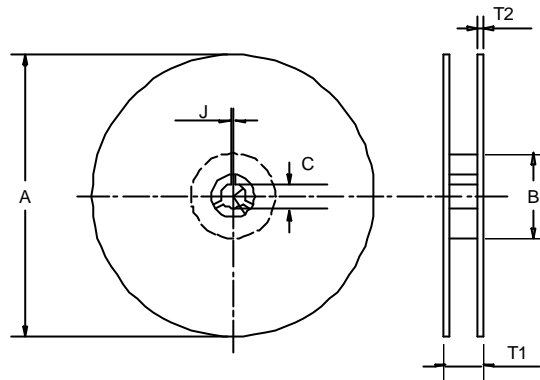
Reliability test program

Test item	Method	Description
SOLDERABILITY	MIL-STD-883D-2003	245°C , 5 SEC
HOLT	MIL-STD-883D-1005.7	1000 Hrs Bias @ 125 °C
PCT	JESD-22-B, A102	168 Hrs, 100 % RH , 121°C
TST	MIL-STD-883D-1011.9	-65°C ~ 150°C, 200 Cycles
ESD	MIL-STD-883D-3015.7	VHBM > 2KV, VMM > 200V
Latch-Up	JESD 78	10ms , I _r > 100mA

Carrier Tape & Reel Dimensions



Carrier Tape & Reel Dimensions (Cont.)



Application	A0	A1	A2	A3	B0	B1	B2	C0	C1
TO-92	3.18~12	90±1	76±1	30±1	90±1	31±1	76±1	5.8	3.8
	C2	D	D1	D2	F1=F2	F1-F2	M	H	H1
	7.8	4.0±0.2	0.36~0.53	9.0 MAX	2.5+0.2 -0.1	±0.3	2.5±0.5	16±0.5	9±0.5
	H2	H2A	H3	H4	H5=H0+M	L	L1	P	P1
	0.5 MAX	0.5 MAX	27.0 MAX	20.0 MAX	18.5±0.5	11.0 MAX	2.5 MIN	12.7±0.3	6.35±0.4
	P2	T	T1	T2	T3	T4	W	W1	W2
	50.8±0.5	0.55 MAX	1.42 MAX	0.36~0.68	15	1.7	18.0±0.2	6.0±0.2	≤1

(mm)

Cover Tape Dimensions

Application	Carrier Width	Cover Tape Width	Devices Per Reel
TO-92	17.5~19	5.0~7.0	2000

(mm)

Customer Service

Anpec Electronics Corp.

Head Office :

No.6, Dusing 1st Road, SBIP,
Hsin-Chu, Taiwan, R.O.C.
Tel : 886-3-5642000
Fax : 886-3-5642050

Taipei Branch :

7F, No. 137, Lane 235, Pac Chiao Rd.,
Hsin Tien City, Taipei Hsien, Taiwan, R. O. C.
Tel : 886-2-89191368
Fax : 886-2-89191369