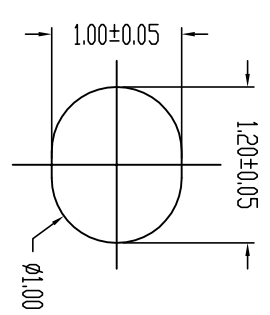
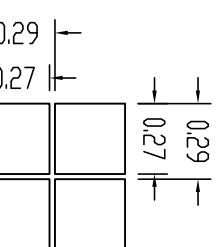
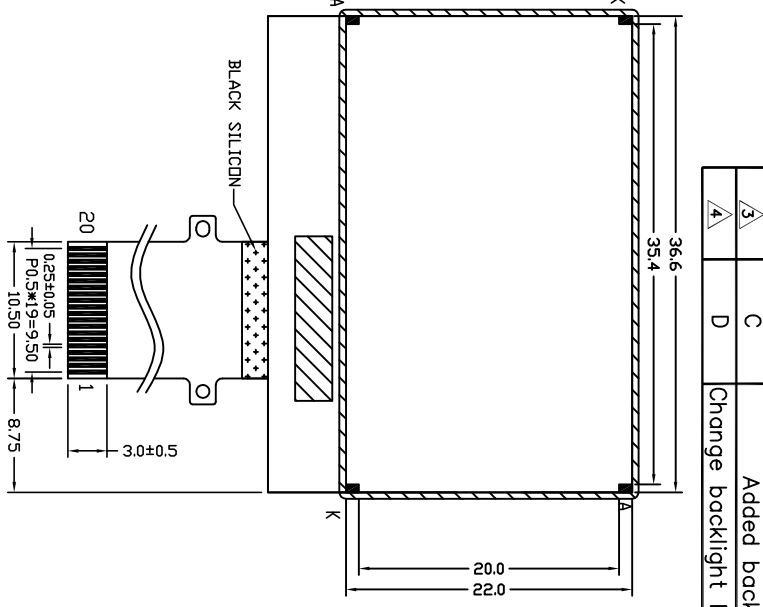
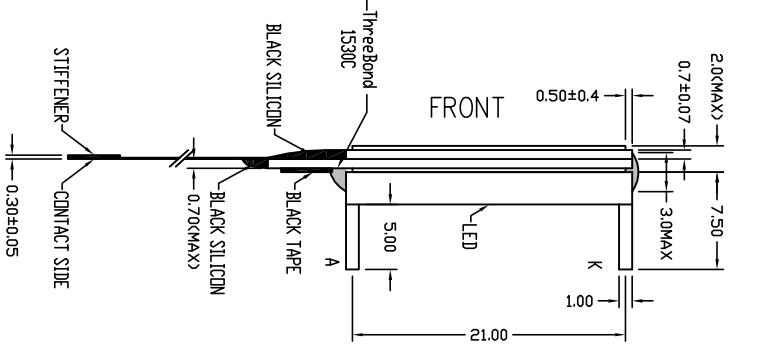
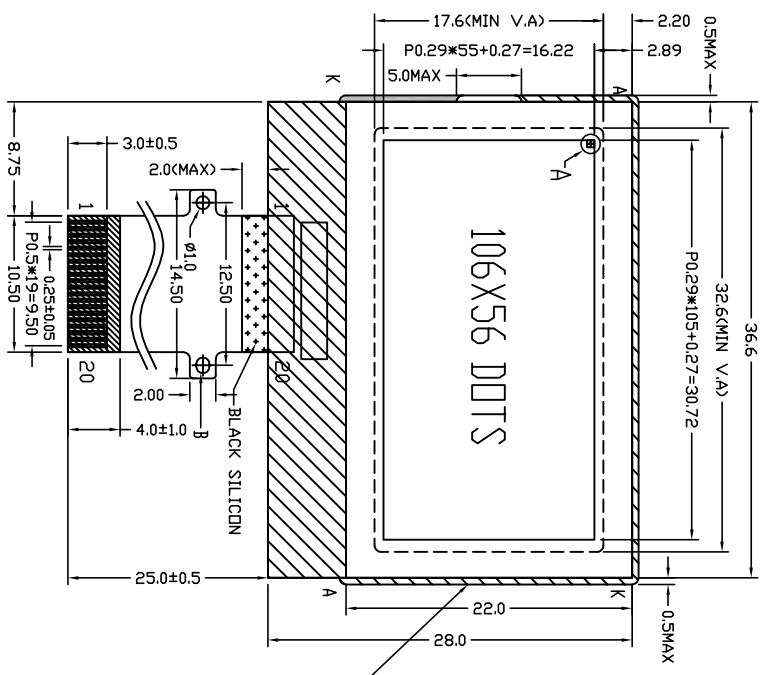


REV	ECN NO.	NATURE OF MODIFICATION	CN/DATE
1	A	First issued	2007-12-10
2	B	Added ThreeBond 1530C	2008-03-05
3	C	Added back view	2011-06-17
4	D	Change backlight PIN thickness	2012-11-28



20	N/C
19	/CS1
18	/RES
17	A0
16	SCL
15	SI
14	Vdd
13	Vss
12	Vout
11	CAP3P
10	CAP1N
9	CAP1P
8	CAP2P
7	CAP2N
6	V4
5	V3
4	V2
3	V1
2	V0
1	N/C

### LCD SPECIFICATION

ITEM	PARAMETERS	ITEM	PARAMETERS
OPERATING VOLTAGE	3.0V	OPERATING TEMP	-20°C TO 70°C
OPERATING CURRENT	-	STORAGE TEMP	-30°C TO 80°C
LCD DRIVING VOLTAGE	9.5V	POLARIZER TYPE	FRONT: TRANSMISSIVE
DISPLAY MODE	FSTN/POSITIVE	BACKTRANSFLECTIVE	YES <input checked="" type="checkbox"/>
LCD DRIVE METHOD	1/68DUTY 1/9BIAS	BACKLIGHT	V <sub>f</sub> =4.2V(Typ), I <sub>b</sub> =60mA-V <sub>G</sub>
LCD DRIVE IC	ST7566P	ROHS STANDARD	YES <input checked="" type="checkbox"/>
VIEW DIRECTION	6000 OCLOCK	OTHER	-

# AZ DISPLAYS

UNIT	MM	TOLERANCE	X.X = ±0.3
3RD ANGLE		X.XX = ±0.20	
ANG		ANG = -	
SCALE:	1:1	TITLE:	AQM1056B-LCM
DRAWN:	Jacky Li	MODEL NO.:	AQM1056B-FL-FBW
CHECKED:	LIU HANG	PART NO.:	--
APPROVED:	GU ZH	REV	D
		SH NO	1/1