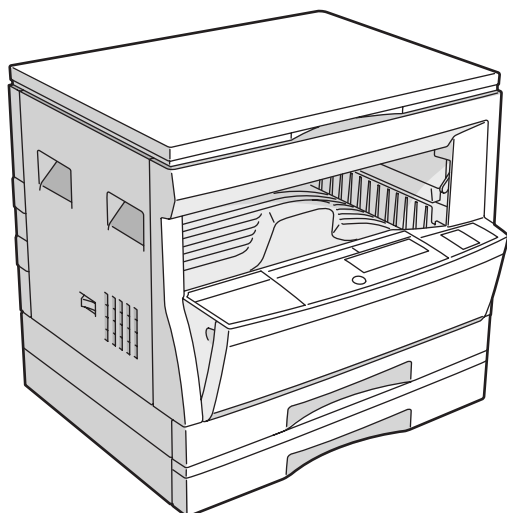


SHARP PARTS GUIDE

CODE:00ZAR205//P1/



DIGITAL COPIER

AR-N205 (Japan only)

AR-S205 (Japan only)

MODEL AR-205 (Except Japan)

CONTENTS

- | | |
|------------------------------------|-------------------------------------|
| 1 Exteriors | 22 Duplex/P-out sensor PWB |
| 2 Operation panel section | 23 MHPS PWB |
| 3 Side door unit | 24 Tray sensor PWB |
| 4 Optical unit | 25 Manual paper feeding sensor PWB |
| 5 2nd,3rd mirror unit | 26 PS sensor PWB |
| 6 Middle frame unit | 27 RCU PWB |
| 7 Process unit | 28 Low voltage power supply unit |
| 8 DV cartridge unit | 29 Mother PWB ··AR-N205 only |
| 9 Fusing unit | 30 LCD operation PWB ··AR-N205 only |
| 10 Main driving unit | 31 NW I/F PWB ··AR-N205 only |
| 11 Base plate unit 1 | 32 PCL PWB ··AR-N205 only |
| 12 Base plate unit 2 | 33 ERDH OP PWB |
| 13 Manual paper feeding multi unit | 34 1ST Tray interface PWB |
| 14 Delivery frame unit | 35 Dry heater PWB ··Japan only |
| 15 TC case unit | 36 Delivery interface PWB |
| 16 250 sheets tray unit | 37 Shifter HP sensor PWB |
| 17 Packing material & Accessories | 38 MHPS PWB OC |
| 18 1ST Tray exteriors | ■ Index |
| 19 1ST Tray paper feeding unit | |
| 20 MCU PWB | |
| 21 COPY-Operation PWB | |

SHARP CORPORATION

This document has been published to be used for after sales service only.
The contents are subject to change without notice.

DEFINITION

The definition of each Rank is as follows and also noted in the list

- A : Parts necessary to be stocked as High usage parts.
- B : Parts necessary to be stocked as Standard usage parts.
- C : Low usage parts.
- D : Parts necessary for refurbish.
- E : Unit parts recommended to be stocked for efficient after sales service.
Please note that the lead time for the said parts may be longer than normal parts.
- S : Consumable parts.

Please note that the following parts used in Copier under the same description are classified into A or B Rank depending upon the place used.

Example : Gear made of Metal, Sprocket, Bearing, Belt made of Rubber, Spring clutch mechanism.

A Rank : The parts which may be with the revolution or loading.

B Rank : Parts similar to A Rank parts, but are not included in Rank A.

Because parts marked with "△" is indispensable for the machine safety maintenance and operation, it must be replaced with the parts specific to the product specification.

- Other than this Parts Guide, please refer to documents Service Manual (including Circuit Diagram) of this model.
- Please use the 13 digit code described in the right hand corner of front cover of the document, when you please an order.
- For U.S. only-Use order codes provided in advertising literature.
Do not order from parts department.

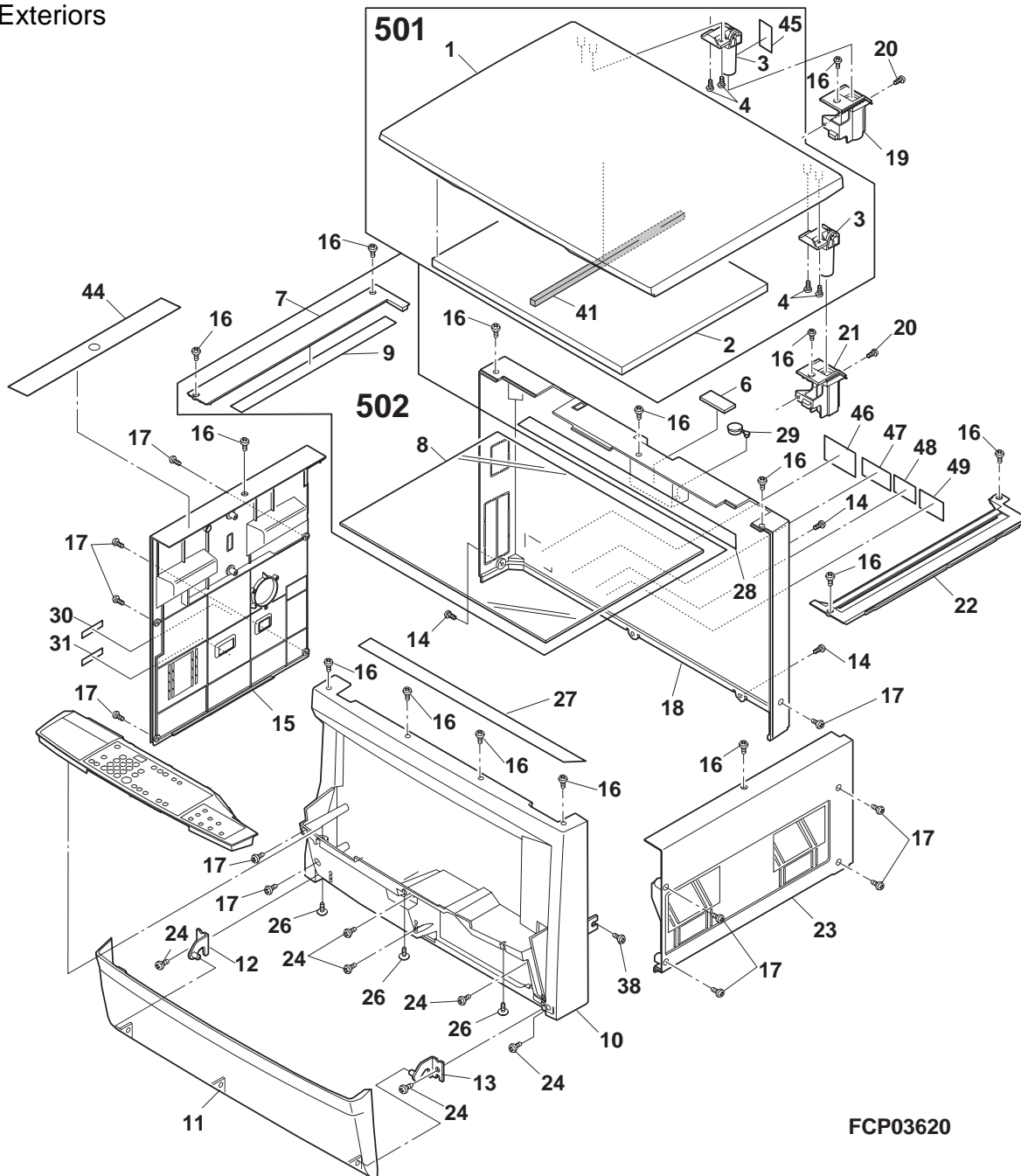
1 Exteriors

NO.	PARTS CODE	PRICE RANK		NEW MARK	PART RANK	DESCRIPTION
		Ex.	Ja.			
1	GCÖVH0010QSZ1	BC	GD		D	OC cover (Japan only)
2	PSHEZ0058QSZZ	AY	FQ		C	OC sheet (Japan only)
3	CHNG-0007QS01	AM	EG		C	OC hinge (Japan only)
4	XEBSE40P10000	AA	DD		C	Screw (4×10)(Japan only)
6	GFTA-0002QSZZ	AD	DJ		D	SPF connector cover
7	CFiX-0008QS01	AR	EQ		C	Glass fixing plate (Japan only)
	CFiX-0008QS02	AQ	EQ		D	Glass fixing plate (Except Japan)
8	PGLSP0003QSZZ	BA	FX		B	Table glass
9	PSHEZ0059QSZZ	AF	DS		C	Sheet
10	CCAB-0012QS22	BC	GJ	N	D	Front exterior (AR-N205)
	CCAB-0012QS11	BC	GJ	N	D	Front exterior (USA)
	CCAB-0012QS10	BD	GJ	N	D	Front exterior (AR-S205)
	CCAB-0012QS17	BD	GJ	N	D	Front exterior (Europe)
11	GFTA-0001QSZZ	AW	FG		D	Front exterior cover
12	CARMP0010QS01	AD	DJ		C	Hinge arm L
13	CARMP0011QS01	AD	DJ		C	Hinge arm R
14	XEBSE40P10000	AA	DD		C	Screw (4×10)
15	GCAB-0014QSZZ	AY	FQ		D	Left exterior
16	XBBSE30P06000	AA	DD		C	Screw (3×6)
17	XHBSE30P08000	AA	DD		C	Screw (3×8)
18	GCAB-0013QSZ1	BA	FX		D	Rear exterior
19	PGiDM0054QSZZ	AG	DX		C	Hinge guide L
20	XHBSD30P06000	AA	DD		C	Screw (3×6)
21	PGiDM0055QSZZ	AG	DX		C	Hinge guide R
22	GCÖVH0011QSZZ	AP	EQ		D	OC glass fixing cover
23	GCAB-0015QSZZ	AV	FG		D	Right exterior
24	XEBSE40P10000	AA	DD		C	Screw (4×10)
26	XEBSE30P08000	AA	DD		C	Screw (3×8)

1 Exteriors

NO.	PARTS CODE	PRICE RANK		NEW MARK	PART RANK	DESCRIPTION
		Ex.	Ja.			
27	PSHEZ0088QSZZ	AF	DS		C	Table glass sheet F
28	PSHEZ0089QSZZ	AF	DS		C	Table glass sheet R
29	PCAPH0011QSZZ	AC	DJ		C	SC cap
30	TLABH0103QSZZ	AE	DS		D	Warm heater label (Japan only)
31	TLABH0104QSZZ	AE	DS		C	Power supply label (Japan only)
38	XHPSD30P08X00	AA	DD		C	Screw (3×8X)
41	PMLT-0032QSZZ	AC	DJ		C	OC cushion (Japan only)
44	TLABH0107QSZZ	AG	DX		D	Operation label (Japan only)
	TLABH0108QSZZ	AG	DX		D	Operation label (Except Japan)
45	PSHEZ0165QSZZ	AB	DJ	N	C	OC hinge sheet (Japan only)
46	TCAUA0770FCZZ	AB	DD		D	Service caution label (Except Japan)
47	TLABH0264GCZZ	AC	DJ		D	Service man label (Europe)
48	TLABH4087FCZZ	AC	DJ		D	Label name SPAIN (Europe)
49	TLABZ0058QSZZ	AD	DJ		D	Class 1 label (Europe)
501	CCOVH0010QS52	BM	HR	N	E	OC cover unit (Japan only)
502	CFIX-0008QS51	BF	GN		E	Table unit (Japan only)
	CFIX-0008QS52	BF	GN		E	Table unit (Except Japan)

1 Exteriors

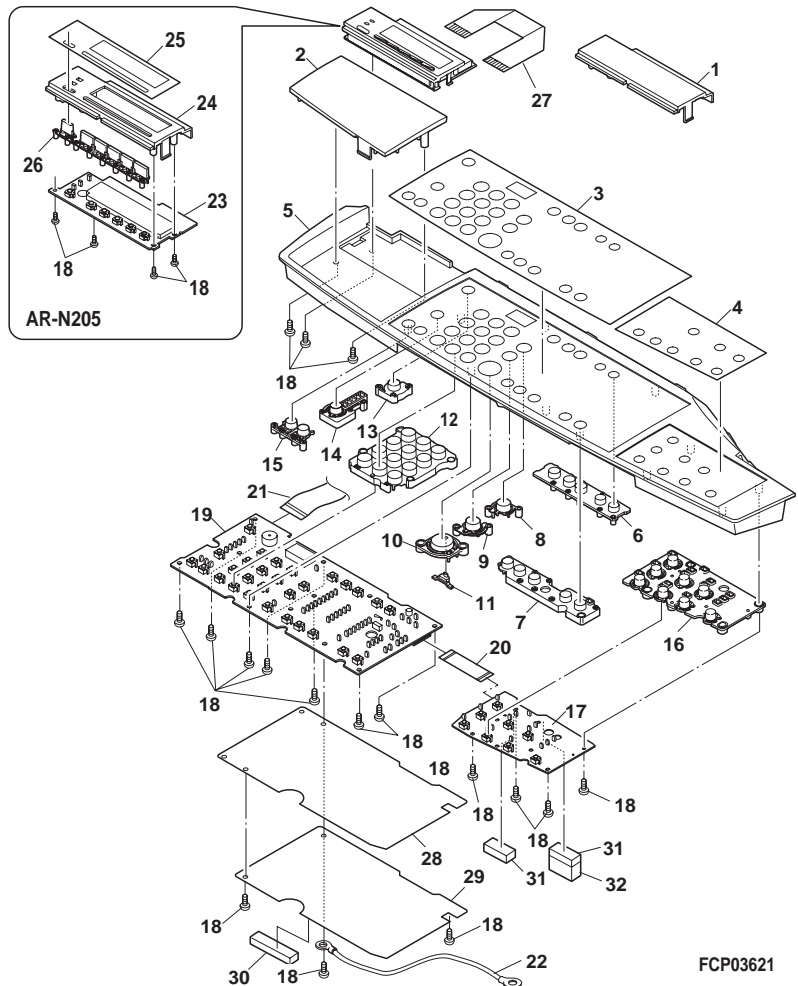


FCP03620

2 Operation panel section

NO.	PARTS CODE	PRICE RANK		NEW MARK	PART RANK	DESCRIPTION
		Ex.	Ja.			
1	GCÖVH0015QSZZ	AG	DX		D	LCD dummy cover (Except AR-N205)
2	GCÖVH0016QSZZ	AH	DX		D	FAX dummy cover
3	HPNLH0004QS10	AV	FG		D	Main Deco.panel (Japan only)
	HPNLH0004QS11	AV	FG		D	Main Deco.panel (USA)
	HPNLH0004QS13	AV	FG		D	Main Deco.panel (Europe)
4	HPNLH0005QSZZ	AL	EB		D	DUP Deco.panel (Japan only)
	HPNLH0005QSZ1	AL	EB		D	DUP Deco.panel (USA)
	HPNLH0005QSZ2	AL	EB		D	DUP Deco.panel (Europe)
5	GCAB-0017QSZZ	AV	FG		D	Operation panel exterior (Except Europe)
	GCAB-0017QSZA	AW	FG		D	Operation panel exterior (For Europe)
6	JBTN-0018QSZZ	AE	DJ		C	Function key
7	JBTN-0029QSZZ	AE	DS		C	Select key
8	CBTN-0022QS01	AF	DS		C	CA key
9	CBTN-0021QS01	AF	DS		C	Clear key
10	CBTN-0019QS01	AG	DX		C	Copy key
11	JBTN-0020QSZZ	AC	DJ		C	Copy key (LIGHT IND)
12	CBTN-0016QS01	AN	EG		C	Ten key
13	JBTN-0026QSZZ	AE	DJ		C	Interrupt key
14	JBTN-0030QSZZ	AD	DJ		C	Mode select key
15	JBTN-0027QSZZ	AD	DJ		C	Density select key
16	JBTN-0023QSZZ	AG	DX		C	Special function key
17	CPWBF0025QS52	AY	FQ		E	ERDH operation PWB
18	XEBSD30P08000	AA	DD		C	Screw (3×8)
19	CPWBN0024QS53	BP	LP		E	COPY operation PWB (Japan only)
	CPWBN0024QS54	BQ	LP		E	COPY operation PWB (Except Japan)
20	DHA i -0116QSZZ	AC	DJ		C	Panel ERDH harness
21	DHA i -0115QSZZ	AF	DS		C	Operation panel harness
22	DHA i -0149QSZZ	AE	DJ		C	OP. earth harness
23	CPWBF0026QS51	BD	GJ		E	LCD operation PWB (AR-N205)
24	GCAB-0019QSZZ	AG	DX		D	LCD panel exterior (AR-N205)
25	HPNLH0011QSZZ	AK	DX		D	LCD Deco.panel (AR-N205)
26	JBTN-0024QSZZ	AE	DS		C	LCD key (AR-N205)
27	DHA i -0119QSZZ	AE	DJ		C	LCD harness (AR-N205)
28	PSHEZ0137QSZZ	AH	DX		C	OP mylar sheet
29	PSHEZ0131QSZZ	AG	DX		C	OP shield sheet
30	PCUSG0017QSZZ	AD	DJ		C	Rubber cushion
31	PCUSG0018QSZZ	AD	DJ		C	Rubber cushion (T8)
32	PCUSG0019QSZZ	AC	DJ		C	Rubber cushion (T4S)

2 Operation panel section

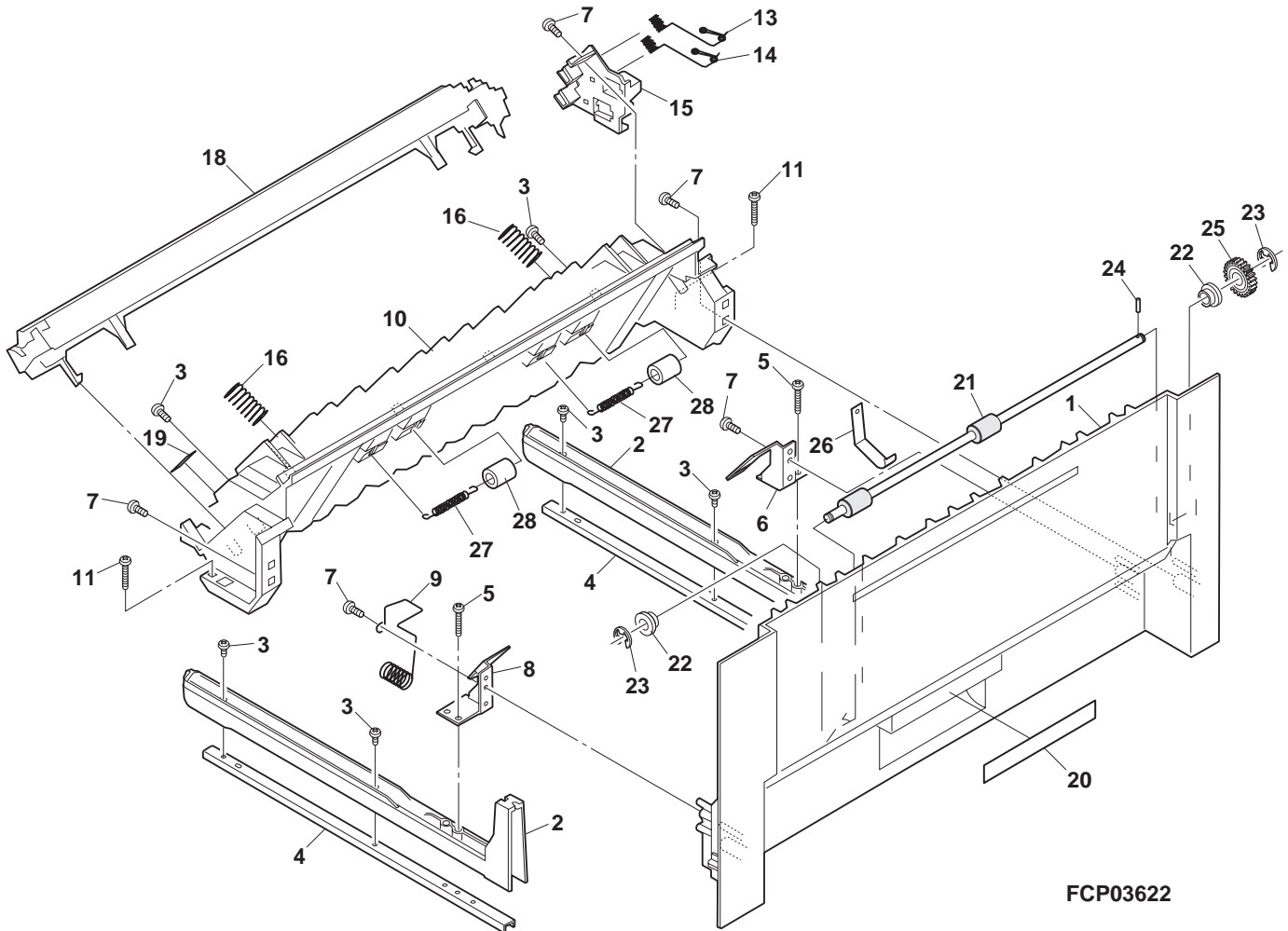


FCP03621

3 Side door unit

NO.	PARTS CODE	PRICE RANK		NEW MARK	PART RANK	DESCRIPTION
		Ex.	Ja.			
1	GDÖR-0001QSZZ	AW	FG		D	Right door
2	LRALP0004QSZZ	AL	EB		C	Right door rail
3	XHBSD30P10000	AA	DD		C	Screw (3×10)
4	LPLTM0092QSZZ	AF	DS		C	Rail reinforce plate
5	XHBSD30P14000	AA	DD		C	Screw (3×14)
6	LPLTM0091QSZZ	AE	DS		C	Inner reinforce plate R
7	XEBSD30P10000	AA	DD		C	Screw (3×10)
8	LPLTM0090QSZZ	AE	DS		C	Inner reinforce plate F
9	MSPRC0085QSZZ	AE	DJ		C	TC case GND spring
10	LFRM-0016QSZ1	AT	EZ		C	Right door inner N
11	XHBSD30P16000	AA	DD		C	Screw (3×16)
13	MSPRC0084QSZ1	AD	DJ		C	BC I/F spring
14	MSPRC0083QSZ1	AD	DJ		C	TC I/F spring
15	LHLDZ0033QSZ1	AF	DS		C	TC terminal I/F holder
16	MSPRC0082QSZZ	AC	DJ		C	Pressure spring
18	CHLDZ0030QS51	BA	FX		E	TC unit
19	TCAUH0819FCZZ	AA	DD		C	HT caution label (Japan only)
20	TLABH0124QSZZ	AC	DJ		D	Green label
21	NRÖLP0036QSZZ	AP	EQ		C	DUP transport roller
22	LBSHZ0303FCZZ	AC	DJ		C	M bushing C
23	XRESP40-06000	AA	DD		C	E type ring
24	XPSSJ20-07000	AA	DD		C	Spring pin (φ2-7)
25	NGERH0074QSZZ	AD	DJ		C	DUP roller driving gear
26	LPLTM0102QSZZ	AD	DJ		C	DUP roller earth plate
27	MSPRT0141GCA1	AB	DJ		C	FU PSV spring
28	NRÖLP1122FCZZ	AF	DS		C	PS upper roller

3 Side door unit



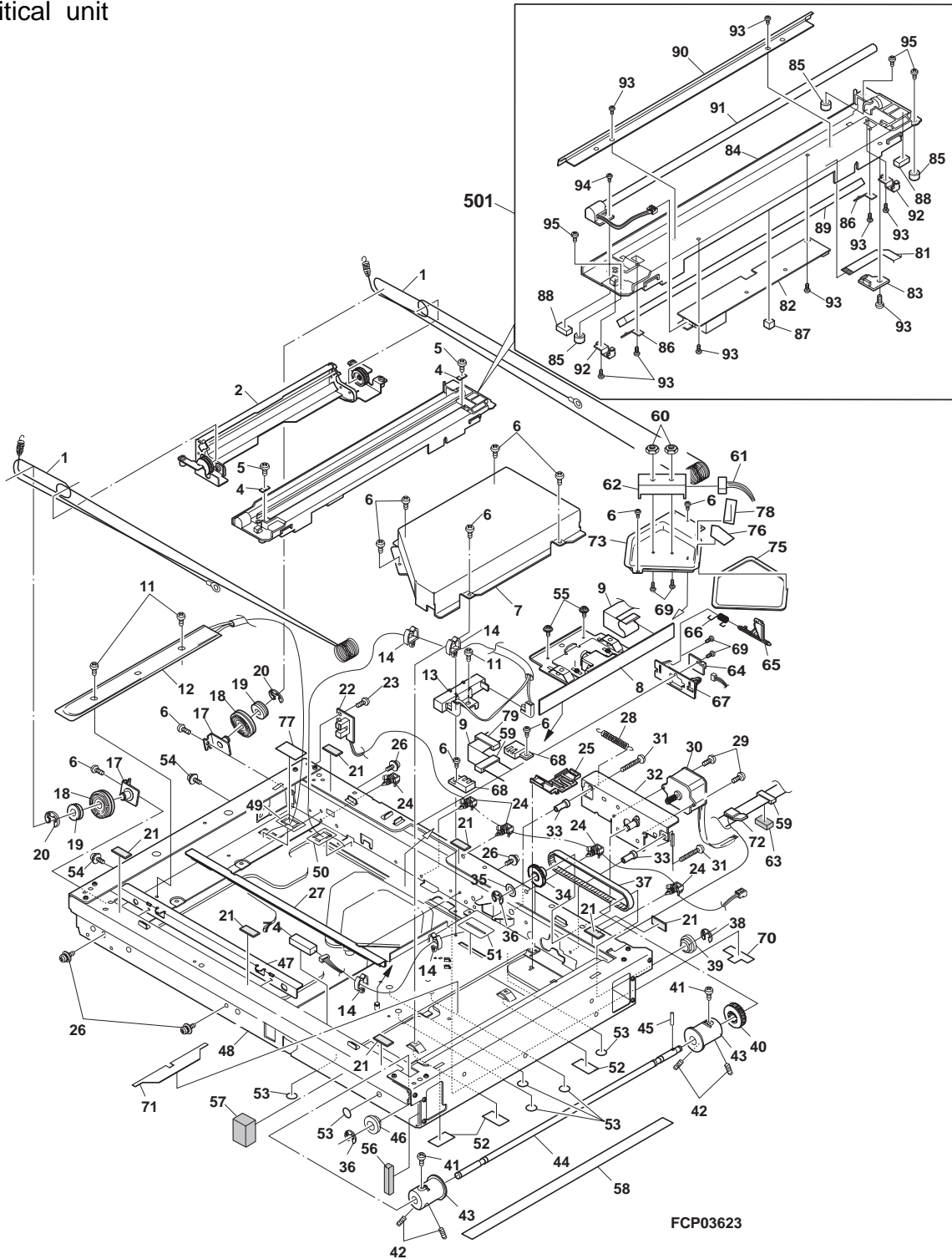
4 Optical unit

NO.	PARTS CODE	PRICE RANK		NEW MARK	PART RANK	DESCRIPTION
		Ex.	Ja.			
1	PWiR-0005QSZZ	AS	EQ		C	MB wire
2	CMiR-0008QS31	BB	GD		E	2nd,3rd mirror unit
4	LHLDZ1239FCZZ	AE	DS		C	Wire holder
5	XBPSD40P06K00	AA	DD		C	Screw (4×6K)
6	XHBSD30P06000	AA	DD		C	Screw (3×6)
7	PCASZ0008QSZZ	AM	EG		C	Dark box
8	CLNS-0003QS51	BV	NU		E	Lens unit
9	DHAi-0120QSZZ	AG	DS		C	CCD harness
11	XHBSD30P06000	AA	DD		C	Screw (3×6)
12	RHET-0003QSZZ	AP	EQ		B	Dry heater(mirror) (Japan only)
13	CR-WZ0003QS01	AZ	FQ		C	Dry heater(lens) (Japan only)
14	LHLDW1009ACZZ	AA	DD		C	Clamp
17	CPLTM0026QS01	AH	DX		C	Pulley fixing plate F
18	NPLYZ0005QSZZ	AG	DX		C	Pulley
19	NPLYZ0006QSZZ	AD	DJ		C	L pulley
20	XRESP40-05000	AA	DD		C	E type ring
21	PCUSG0190FCZ1	AB	DJ		C	Table glass cushion
22	CPWBF1177FC63	AP	EQ		E	MHPS PWB
23	XBBSD30P08000	AA	DD		C	Screw (3×8)
24	LBNDJ0043FCZ1	AA	DJ		C	Band (SG-130)
25	LHLDZ0043QSZZ	AE	DJ		C	CL lead holder
26	LX-BZ0004QSZZ	AB	DD		C	Screw (3×63)(Red)
27	LRALM0007QSZZ	AG	DX		C	MB-B rail R
28	MSPRC0040QSZZ	AB	DJ		C	MB drive spring
29	XBPSD30P05K00	AA	DD		C	Screw (3×5K)
30	RMOTP0021QSZ1	BC	GD		B	Mirror motor
31	XBPSD40P16KS0	AA	DD		C	Screw (4×16KS)
32	CPLTM0084QS01	AL	EB		C	Mirror motor fixing plate
33	PGUMS0002QSZZ	AL	EB		C	Protection rubber
34	NGERH0027QSZZ	AH	DX		C	Mirror motor idle gear
35	LX-WZ0119FCZZ	AA	DD		C	Washer
36	XRESP70-08000	AA	DD		C	E type ring
37	NBLTT0002QSZZ	AH	DX		B	Winder drive belt
38	XRESP50-06000	AA	DD		C	E type ring
39	NBRGC0387FCZ1	AC	DJ		C	Bearing
40	NPLYZ0004QSZZ	AG	DX		C	Winder drive shaft pulley
41	LX-BZ0324FCZZ	AA	DD		C	Screw (3×4)
42	LX-BZ0049FCZZ	AB	DD		C	Screw (4×6)
43	NPLYZ0003QSZZ	AM	EG		C	Winder pulley
44	NSFTZ0028QSZZ	AM	EG		C	Winder drive shaft
45	XPSSJ30-12000	AB	DD		C	Spring pin (φ3-12)
46	NBRGC0133FCZ1	AC	DJ		C	PF bearing (M8)
47	LRALM0006QSZZ	AG	DS		C	MB-B rail F
48	CDAIU0012QS03	BE	GN		D	Optical base plate
49	PSHEP0090QSZZ	AD	DJ		C	Optical edge sub protect sheet A (Japan only)
50	PSHEP0091QSZZ	AD	DJ		C	Optical edge sub protect sheet B (Japan only)
51	PSHEP0085QSZZ	AC	DJ		C	Optical edge protect sheet D
52	PSHEZ0108QSZZ	AC	DJ		C	Optical base plate bottom myler A
53	PSHEZ0109QSZZ	AC	DJ		C	Optical base plate bottom myler B
54	XHBSD30P04000	AA	DD		C	Screw (3×4)
55	LX-BZ0004QSZZ	AB	DD		C	Screw (M3×6)
56	PMLT-0033QSZZ	AC	DJ		C	Optical cushion D
57	PMLT-0034QSZZ	AC	DJ		C	Optical cushion E
58	PSHEZ0152QSZZ	AD	DJ		C	Optical bottom sheet
59	RCORF0002QSZZ	AE	DS		C	Core (HF57SH35*1)
60	XNESD30-24000	AA	DD		C	Nut (M3)
61	DHAi-0103QSZZ	AM	EG		C	PASISE harness (AB series)
	DHAi-0102QSZZ	AL	EB		C	PASISE harness (Inch series)
62	VHPGP2D07/-1	BA	FX		B	Photo sensor (GP2D07)(AB series)
	VHPGP2D03/-1	BA	FX		B	Photo sensor (GP2D03)(Inch series)
63	PMLT-0035QSZZ	AB	DJ		C	Core holding cushion
64	CPWBF1177FC69	AU	FG		E	MHPS PWB(OC)
65	MLEVP0031QSZ1	AC	DJ		C	Acutuater B
66	MSPRD0119QSZ1	AC	DJ		C	Spring A
67	LPLTP0077QSZ1	AD	DJ		C	Senser fixing plate
68	LHLDZ7021XCZZ	AD	DJ		C	Holder (FRH-12)
69	XBBSD30P08000	AA	DD		C	Screw (3×8)
70	PSHEP0092QSZZ	AC	DJ		C	Optical edge protector sheet C
71	PSHEZ0160QSZZ	AE	DJ		C	Dark box under sheet
72	PSPAZ0018QSZZ	AE	DJ		C	Cable fixing spacer
73	LPLTM0085QSZ1	AK	DX		C	Senser fixing plate (AB series)
	LPLTM0119QSZ1	AH	DX		C	Senser fixing plate (Inch series)
74	VHPGP2D061/-1	AY	FQ		B	Photo sensor (GP2D061)(AB series)
	VHPGP2D032/-1	BA	FX		B	Photo sensor (GP2D032)(Inch series)
75	PMLT-0031QSZ1	AC	DJ		C	Optical cushion C
76	PSHEZ0148QSZZ	AC	DJ		C	Senser harness protector sheet (AB series)
77	PSHEZ0147QSZZ	AB	DJ		C	Harness fixing sheet (Japan only)
78	PSHEZ0147QSZZ	AB	DJ		C	Harness fixing sheet (Inch series)
79	RCORF0002QSZZ	AE	DS		C	Ferrite core (Except Japan)
81	DHAi-0088QSZZ	AS	EQ		C	CL harness

4 Optical unit

NO.	PARTS CODE	PRICE RANK		NEW MARK	PART RANK	DESCRIPTION
		Ex.	Ja.			
82	DUNTK0034QSZZ	BC	GD		E	Inverter unit
83	LFiX-0009QSZZ	AF	DS		C	Harness fixer
84	LHLDZ0047QSZZ	AW	FG		C	Base plate
85	CSLi-0103FC31	AF	DS		E	Slider (4pcs/set)
86	MSPRP0145QSZZ	AF	DS		C	Mirror spring
87	PCUSF0334FCZZ	AP	EQ		C	Mirror cushion
88	PCUSU0203FCZZ	AE	DS		C	Cushion
89	PMiR-0009QSZZ	AS	EQ		C	#1 mirror
90	PREFL0004QSZZ	AP	EQ		C	Reflector
91	RLMPU0012QSZZ	BG	GT		B	Lamp
92	LPLTM4715FCZ1	AF	DS		C	Wire fixing plate
93	XEBSD30P06000	AA	DD		C	Screw (3×6)
94	XEBSD30P08000	AA	DD		C	Screw (3×8)
95	XEBSD40P06000	AA	DD		C	Screw (4×6)
501	CREFL0004QS31	BQ	LP		B	Copy lamp unit

4 Optical unit



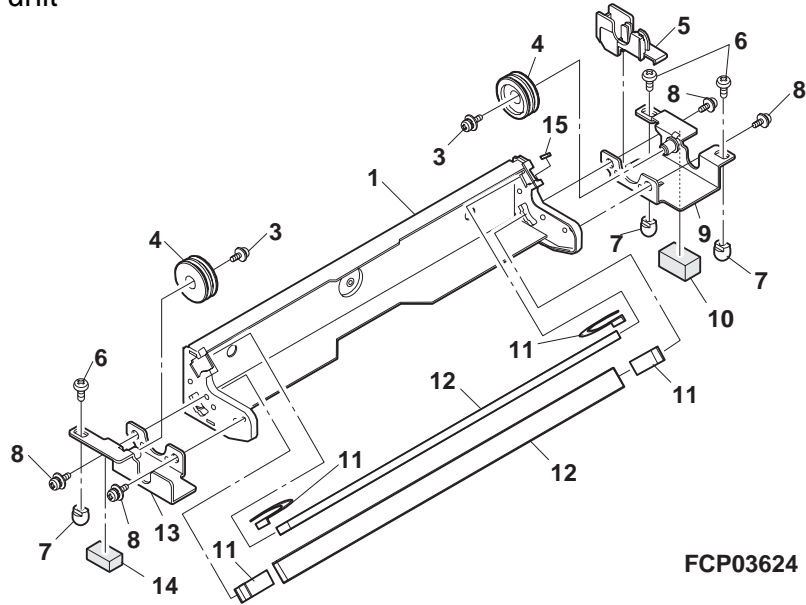
5 2nd,3rd mirror unit

NO.	PARTS CODE	PRICE RANK		NEW MARK	PART RANK	DESCRIPTION
		Ex.	Ja.			
1	LHLDZ0044QSZZ	AP	EQ		C	2nd,3rd mirror holder
3	XBPSD40P06KS0	AA	DD		C	Screw (4x6KS)
4	NPLYZ0007QSZZ	AG	DX		C	W pulley
5	LHLDZ0013QSZZ	AD	DJ		C	CL guide holder
6	XEBSD40P06000	AA	DD		C	Screw (4x6)
7	CSL i-0103FC31	AF	DS		E	Slider unit (4pcs/set)
8	LX-BZ0335FCZZ	AA	DD		C	Screw (4x6)(Red)
9	CPL TM0029QS01	AH	DX		C	Pulley fixing plate R
10	PCUSS0009QSZZ	AA	DJ		C	MB-B cushion R
11	LF i X-0284FCZZ	AC	DD		C	2nd,3rd mirror fixing plate F
12	PM i R-0008QSZZ	AP	EQ		B	2nd,3rd mirror
13	CPL TM0028QS01	AH	DX		C	Pulley fixing plate F
14	PCUSS0201FCZZ	AA	DD		C	MB-B cushion
15	PSPAZ0011QSZZ	AD	DJ		C	Mirror spacer
	(Unit)					
901	CM i R-0008QS31	BB	GD		E	2nd,3rd mirror unit

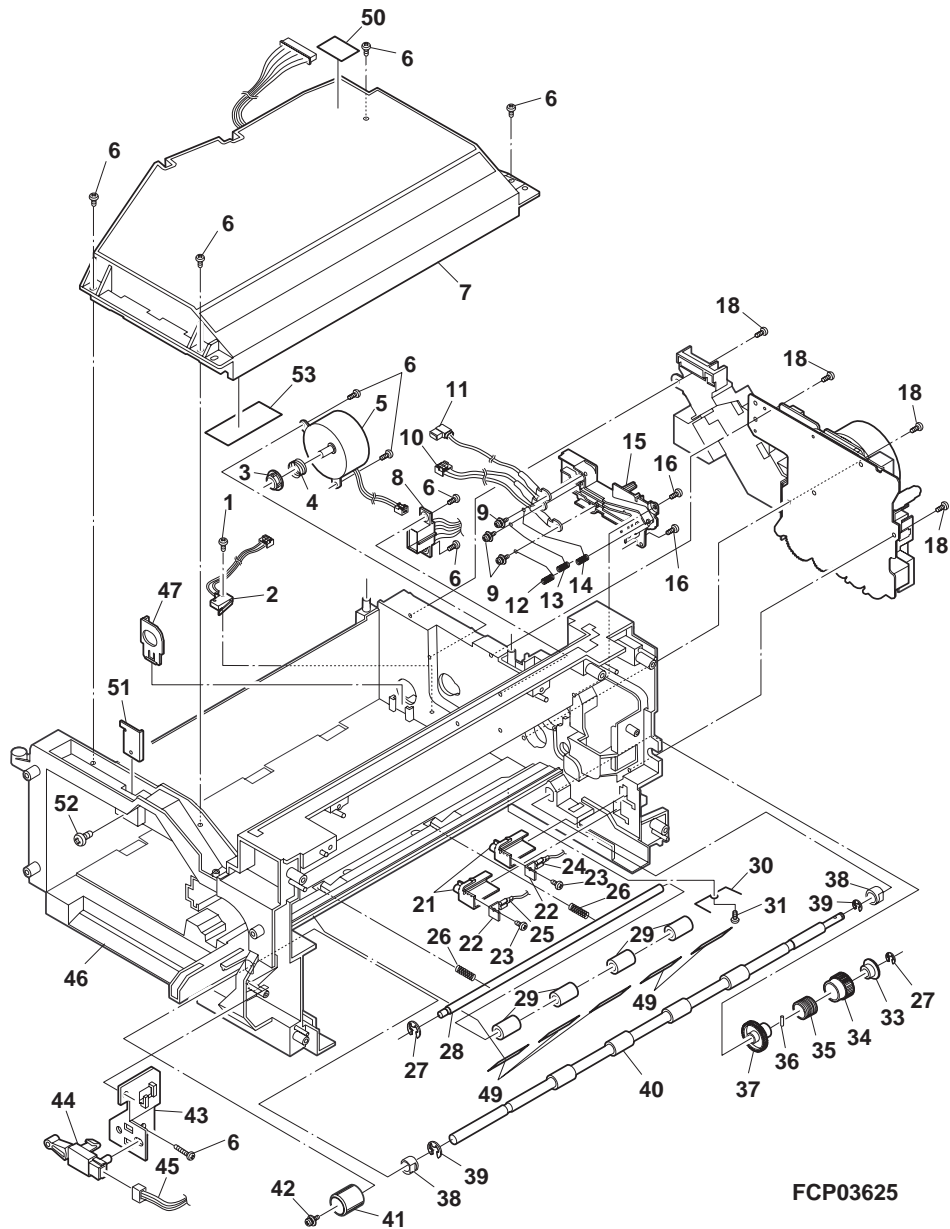
6 Middle frame unit

NO.	PARTS CODE	PRICE RANK		NEW MARK	PART RANK	DESCRIPTION
		Ex.	Ja.			
1	XEPSD23P12000	AA	DD		C	Screw (2.3x12)
2	CSW-M0007QS51	AQ	EQ		E	Inter lock switch unit
3	NCPL-0002QSZZ	AC	DJ		C	Hopper cupring
4	MSPRC0024QSZZ	AA	DJ		C	Hopper spring
5	RMOTD0016QSZZ	AY	FQ		B	Toner motor
6	XEBSD30P10000	AA	DD		C	Screw (3x10)
7	DUNTK0041QSZZ	CA	TV		E	LSU unit
8	DHA i-0112QSZZ	AP	EQ		C	DEV harness
9	XBPS30P06ES0	AA	DD		C	Screw (3x6ES)
10	CHA i-0109QS51	AN	EG		E	GB-MCFB harness unit
11	CHA i-0107QS51	AK	DX		E	MC harness unit
12	MSPRD0104QSZZ	AC	DJ		C	HV terminal spring (case)
13	MSPRD0103QSZZ	AC	DJ		C	HV terminal spring (grid)
14	MSPRD0102QSZZ	AC	DJ		C	HV terminal spring
15	LHLDZ0038QSZ1	AH	DX		C	High voltage terminal holder
16	XEBSD30P08000	AA	DD		C	Screw (3x8)
18	XEBSD30P10000	AA	DD		C	Screw (3x10)
21	LHLDZ0039QSZZ	AE	DJ		C	High voltage terminal holder TC
22	LPL TM0067QSZZ	AC	DJ		C	TC terminal plate
23	XEBSD30P06000	AA	DD		C	Screw (3x6)
24	DHA i-0106QSZZ	AL	EB		C	BC harness
25	DHA i-0108QSZZ	AK	DX		C	TC harness
26	MSPRC0105QSZ1	AB	DJ		C	PS pressure spring
27	XRESP40-06000	AA	DD		C	E type ring
28	NSFTZ0021QSZ1	AL	EB		C	PS roller shaft
29	NKOM-0001QSZZ	AD	DJ		C	PS collar (φ12)
30	MSPRD0139QSZZ	AB	DJ		C	PS earth spring
31	XEBSD30P06000	AA	DD		C	Screw (3x6)
33	LBOSZ1508FCZZ	AG	DX		C	Cam boss A2
34	PP i PP0174FCZZ	AC	DJ		C	Pipe C
35	MSPRC0106QSZZ	AF	DS		C	PS clutch spring
36	XPSSJ20-07000	AA	DD		C	Spring pin (φ2-7)
37	NGERH0062QSZZ	AK	DX		C	Clutch gear (32T)
38	NBRGC0047FCZZ	AD	DJ		C	Bearing E
39	XRESP60-08000	AA	DD		C	E type ring
40	NRÖLP0032QSZZ	AT	EZ		C	PS transport roller
41	JKNBZ0003QSZZ	AD	DJ		C	PS knob
42	XBPSD30P10KS0	AB	DD		C	Screw (3x10KS)
43	LPL TM0070QSZZ	AD	DJ		C	Process detect SW fixing plate
44	QSW-B0003QSZZ	AF	DS		B	Tray detect switch
45	DHA i-0090QSZZ	AF	DS		C	Drum initial SW harness
46	LFRM-0024QSZZ	BC	GD		C	Middle frame
47	LP i NS0301FCZZ	AD	DJ		C	DV guide pin (AB series)
	LP i NS0300FCZZ	AD	DJ		C	DV guide pin (Inch series)
49	PSHEZ0056QSZZ	AC	DJ		C	PS rear guide sheet
50	PTPE-0017QSZZ	AA	DJ		C	FFC tape
51	LANGT0003QSZZ	AD	DJ		C	SRU fixing angle
52	XHBS230P06000	AA	DD		C	Screw
53	TCAUH0007QSZZ	AD	DJ		D	Laser caution label (Europe)

5 2nd,3rd mirror unit



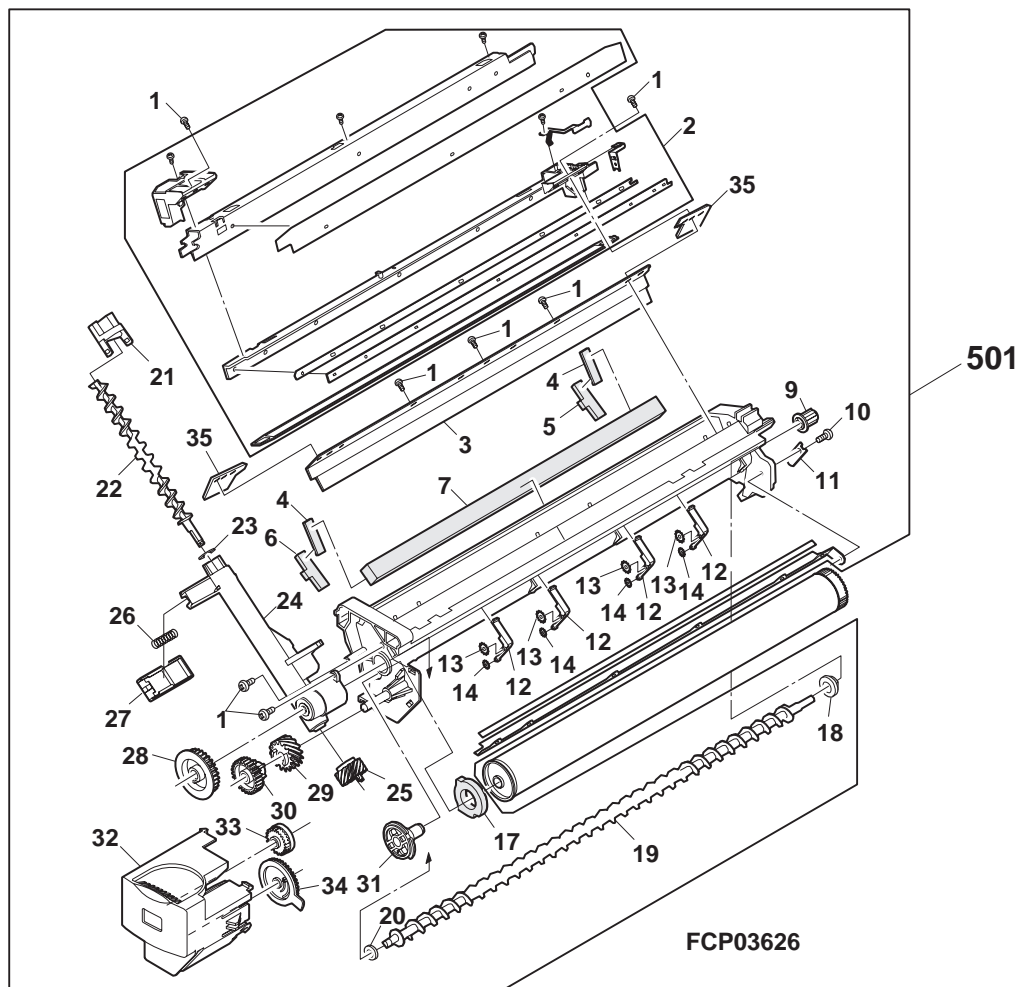
6 Middle frame unit



7 Process unit

NO.	PARTS CODE	PRICE RANK		NEW MARK	PART RANK	DESCRIPTION
		Ex.	Ja.			
1	XEBSD30P10000	AA	DD		C	Screw (3×10)
2	CHLDZ0035QS51	BH	GX		E	MC holder unit
3	UCLEZ0009QSZZ	AV	FG		C	Cleaning blade
4	PMLT-0015QSZZ	AA	DJ		C	Toner shield cushion
5	PSEL-0022QSZ1	AF	DS		C	Seal R
6	PSEL-0021QSZ1	AF	DS		C	Seal F
7	PMLT-0023QSZZ	AE	DJ		C	CL blade cushion
9	NCPL-0003QSZZ	AC	DJ		C	Screw cupring
10	XBBS30P04000	AA	DD		C	Screw (3×4)
11	LPLTM0101QSZ1	AD	DJ		C	Sub blade earth plate
12	LHLDZ0045QSZZ	AD	DJ		C	Starling holder
13	LX-WZ0329FCZZ	AB	DD		C	Washer
14	LX-RZ0001QSZZ	AB	DD		C	Starling (φ5)
17	PMLT-0017QSZZ	AC	DJ		C	Flange cushion
18	NBRGP0299FCZZ	AC	DJ		C	CL bearing (M5)
19	NSFTZ0020QSZZ	AL	EB		C	Transport screw
20	PMLT-0018QSZ1	AC	DJ		C	Transport screw cushion
21	PCAPH0009QSZZ	AC	DJ		C	Toner pipe cap
22	NSFTZ0019QSZZ	AE	DJ		C	Transport pipe screw
23	PSPAZ0696FCZZ	AC	DJ		C	P cap spacer
24	PPIPP0005QSZZ	AM	EG		C	Toner pipe
25	NGERH0039QSZZ	AE	DS		C	Transport pipe gear (14T)
26	MSPRC0045QSZZ	AA	DJ		C	Toner pipe spring
27	PSHT-0004QSZ1	AC	DJ		C	Toner pipe shutter
28	NGERH0036QSZZ	AC	DJ		C	Transport screw gear (30T)
29	NGERH0038QSZZ	AC	DJ		C	Transport pipe gear (15T)
30	NGERH0037QSZZ	AC	DJ		C	Idle gear (26T)
31	LFIX-0007QSZ1	AE	DJ		C	Drum fixing plate B
32	PCOVP0018QSZZ	AG	DS		C	Drum cover
33	NGERH0035QSZ1	AC	DJ		C	Detector gear (20T)
34	NGERH0034QSZ1	AC	DJ		C	Detector gear (38T)
35	PSHEP0135QSZZ	AE	DS		C	MC guide sheet R
501	CFRM-0021QS51	BK	HG		E	Process frame unit

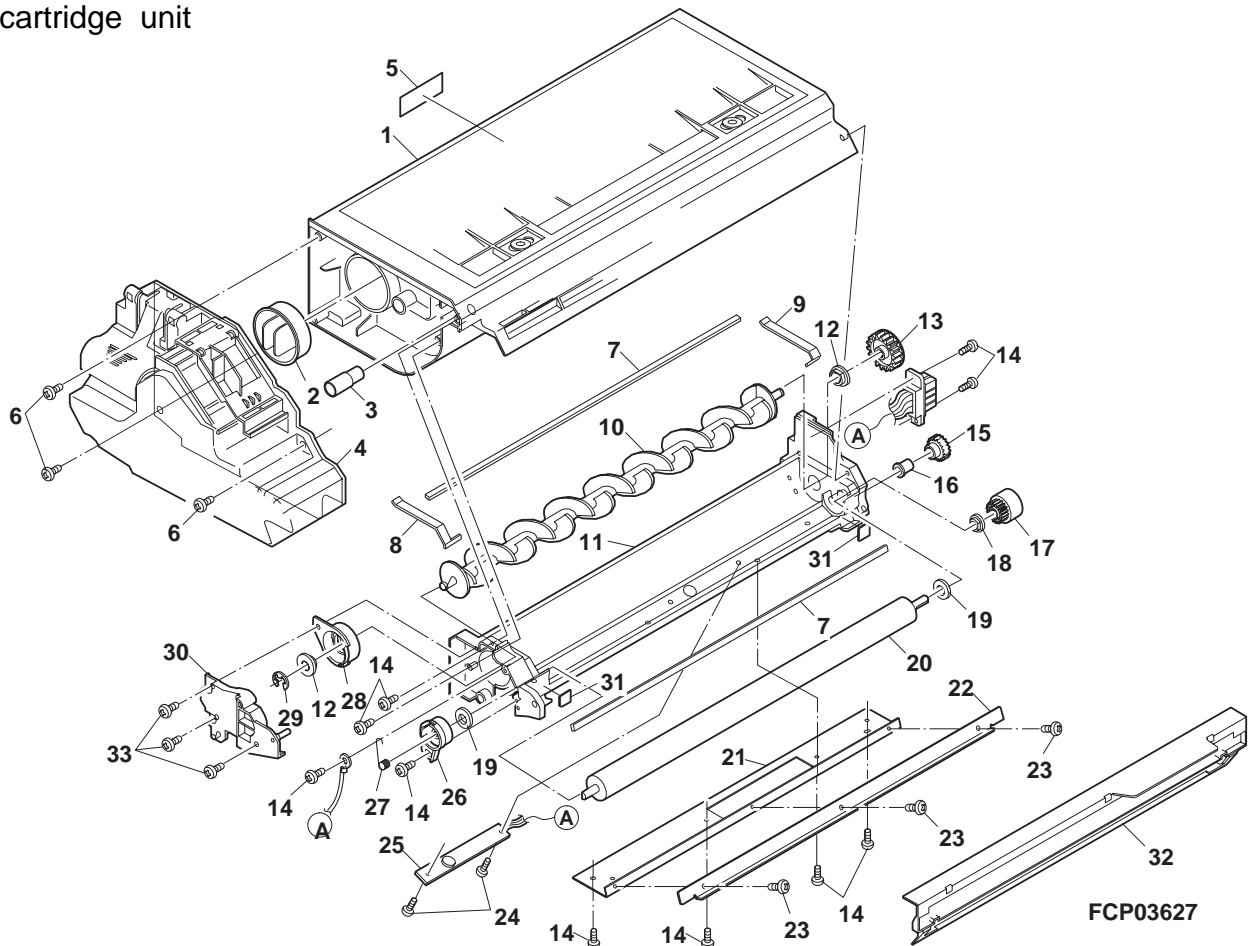
7 Process unit



8 DV cartridge unit

NO.	PARTS CODE	PRICE RANK		NEW MARK	PART RANK	DESCRIPTION
		Ex.	Ja.			
1	CBOX-0002YS52	BE	GN		E	Tonner box unit B (Except USA)
	CBOX-0002YS54	BF	GN		E	Tonner box unit A (USA)
2	PCAPH0005YSZZ	AD	DJ		C	Toner cap
3	PCAPH0004YSZZ	AC	DJ		C	Cap D
4	CBOX-0003YS52	AZ	FQ		E	Waste toner box unit
5	TLABZ1721FCZZ	AA	DD		C	DV CA label
6	XEBSD30P10000	AA	DD		C	Screw (3×10)
7	PMLT-0002YSZZ	AC	DJ		C	DV-TH cushion
8	PMLT-0005YSZZ	AB	DJ		C	DV side cushion F
9	PMLT-0006YSZZ	AB	DJ		C	DV side cushion R
10	NRÖLM0001YSZZ	AP	EQ		C	MX roller
11	PBOX-0001YSZ1	AN	EQ		D	DV box
12	NBRGC0008YSZZ	AH	DX		C	DV bearing
13	NGERH0002YSZZ	AD	DJ		C	DV gear (28T)
14	XEBSF30P08000	AA	DD		C	Screw (3×8)
15	NGERH0001YSZZ	AD	DJ		C	DV idle gear (20T)
16	PCAPH0001YSZZ	AD	DJ		C	DV idle cap
17	NGERH0028QSZZ	AD	DJ		C	DV gear (18T)
18	NBRGC0387FCZ1	AC	DJ		C	Bearing
19	PMLT-0686FCZZ	AA	DD		C	MG cushion
20	NRÖLM0002YSZZ	BA	FX		C	MG roller
21	LPLTM0002YSZZ	AS	EQ		C	Doctor reinforce plate
22	LPLTM0001YSZZ	AN	EG		C	Doctor
23	XBPBZ30P04000	AA	DD		C	Screw (3×4)
24	XUBUZ30P06000	AA	DD		C	Screw (3×6)
25	RDTCM0001YSZZ	AZ	FQ		C	ATC senser
26	LHLDZ0002YSZZ	AC	DJ		C	MG holder
27	MSPRK0001YSZZ	AB	DJ		C	Bias spring
28	LHLDZ0001YSZZ	AD	DJ		C	Bearing holder
29	XRESP50-06000	AA	DD		C	E type ring
30	PCÖVP0001YSZZ	AE	DJ		C	DV-F side cover
31	PSHEA0004YSZ1	AC	DJ		C	DV side sheet
32	CCÖVP0003YS52	AS	EQ		E	MG cover unit
33	XEBSF30P10000	AA	DD		C	Screw (3×10)

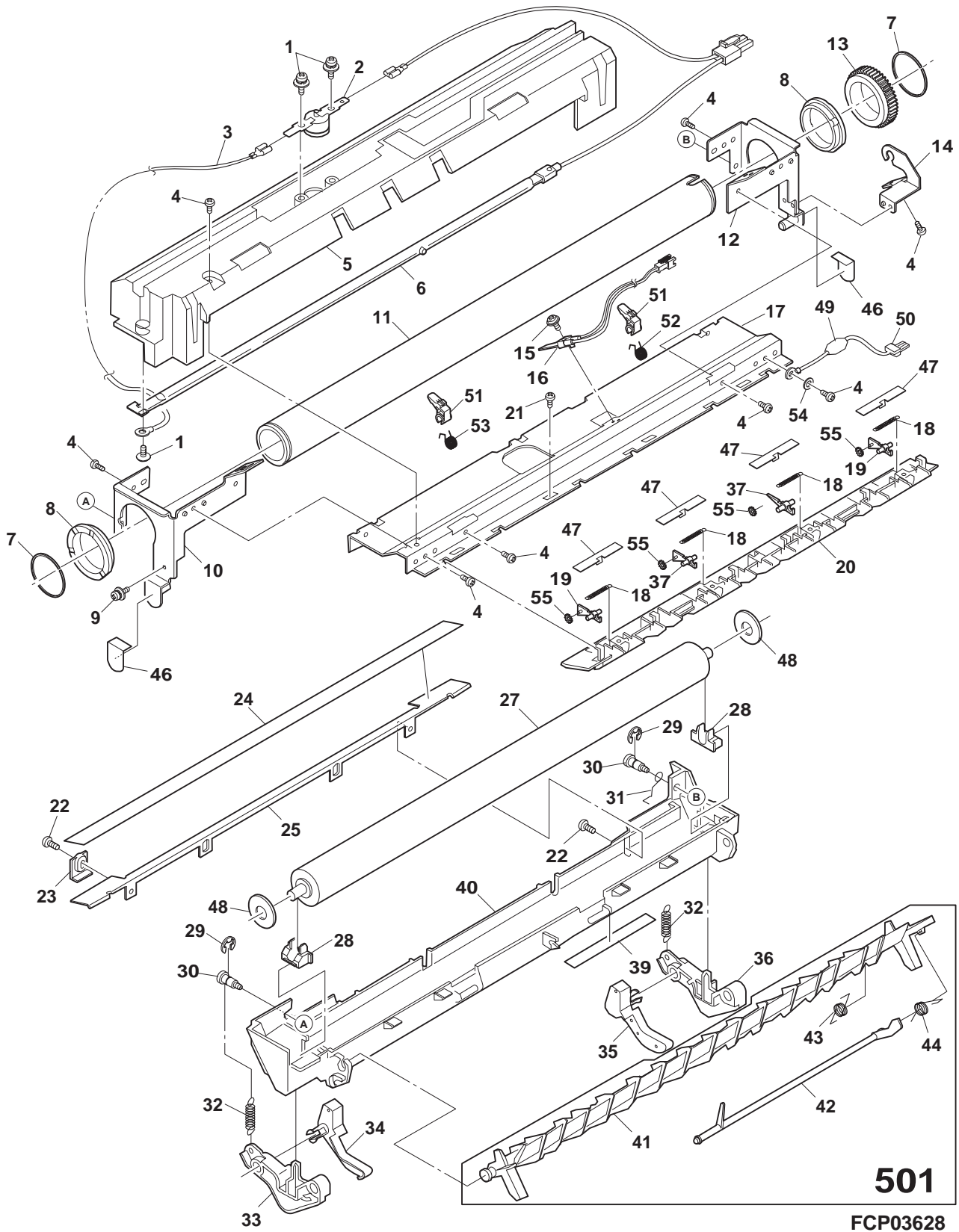
8 DV cartridge unit



9 Fusing unit

NO.	PARTS CODE	PRICE RANK		NEW MARK	PART RANK	DESCRIPTION
		Ex.	Ja.			
1	XBPSD30P05KS0	AA	DD		C	Screw (3×5KS)
2	CTHM-0018FC01	AR	EQ		B	Thermostat
3	DHA i-0065QSZZ	AF	DS		C	Fusing harness
4	XHBSD30P06000	AA	DD		C	Screw (3×6)
5	PCÖVP0029QSZZ	AX	FG		C	Fusing cover
6	RLMPU0005QSZZ	BA	FX		B	Heater lamp (100V)
	RLMPU0006QSZZ	BA	FX		B	Heater lamp (120V)
	RLMPU0007QSZZ	BA	FX		B	Heater lamp (230V)
7	LSTPP0116FCZZ	AA	DD		C	Roller stopper
8	NBRGP0567FCZZ	AG	DX		C	Fusing bearing
9	XBPSD30P08KS0	AA	DD		C	Screw (3×8KS)
10	CFRM-0017QS01	AH	DX		C	Fusing frame F
11	NROL i 0030QSZZ	BC	GJ		C	Upper heat roller
12	CFRM-0018QS01	AH	DX		C	Fusing frame R
13	NGERH0540FCZ1	AE	DJ		C	Fushing gear (45T)
14	LHLDZ0034QSZZ	AF	DS		C	Lamp holder
15	XBPSD30P10KS0	AB	DD		C	Screw (3×10KS)
16	RDTCT0005QSZZ	AN	EQ		B	Thermistor
17	LPLTM0050QSZZ	AM	EG		C	Fusing joint plate
18	MSPRT0086QSZZ	AB	DJ		C	Upper pawl pressure spring
19	PTME-0007GCZA	AG	DS		C	Separator pawl 4A (Japan only)
	PTME-0020GCZ1	AF	DS		C	Separator pawl (Except Japan)
20	PG i DM0034QSZZ	AP	EQ		C	Fusing rear paper guide
21	XEBSD30P06000	AA	DD		C	Screw (3×6)
22	XBBSD30P06000	AA	DD		C	Screw (3×6)
23	LPLTP0051QSZZ	AD	DJ		C	PG fixing plate
24	PSHEP0053QSZZ	AK	DX		C	PG sheet
25	PG i DH0033QSZZ	AK	EB		C	Fusing front paper guide
27	NROLR0031QSZZ	BC	GJ		C	Pressure roller
28	NBRGP0260FCZ1	AD	DS		C	Pressure bearing N
29	XRESP30-06000	AA	DD		C	E type ring
30	LX-BZ0013QSZZ	AC	DD		C	Screw (3×7)
31	MSPRP0087QSZZ	AC	DJ		C	PG earth spring
32	MSPRT0089QSZZ	AC	DJ		C	Pressure spring B
33	MLEVP0018QSZZ	AF	DS		C	Fusing pressure lever F
34	MLEVP0019QSZZ	AE	DJ		C	Release lever F
35	MLEVP0020QSZZ	AE	DJ		C	Release lever R
36	MLEVP0017QSZZ	AF	DS		C	Fusing pressure lever R
37	PTME-0020GCZ1	AF	DS		C	Separator pawl
39	T LABH0061QSZZ	AE	DJ		C	High temperature caution label (Japan only)
	T LABH0062QSZZ	AE	DJ		D	Heater temperature caution label (Except Japan)
40	LFRM-0036QSZZ	AT	EZ	N	D	Fusing lower frame
41	LPLTP0060QSZZ	AL	EB	N	C	Reverse gate
42	MLEVP0026QSZZ	AF	DS		C	DMC actuator
43	MSPRD0117QSZZ	AB	DJ		C	Rotation spring
44	MSPRD0118QSZZ	AB	DJ		C	Actuator return spring
46	PSHEZ0105QSZZ	AC	DJ		C	Fusing sheet
47	PSHEZ0121QSZZ	AE	DJ		C	Upper pawl fixing plate
48	LX-WZ0313FCZZ	AA	DD		C	Washer
49	VRH-ST2HB157K	AD	DJ		C	Resistor (1/2W 150MΩ)
50	PBRSR0004QSZZ	AE	DS		C	Discharger brush
51	PTME-0014QSZZ	AK	DX		C	Lower separator pawl
52	MSPRD0122QSZZ	AB	DJ		C	Separator pawl spring R
53	MSPRD0121QSZZ	AB	DJ		C	Separator pawl spring F
54	XWHS30-05070	AA	DD		C	Washer
55	LX-WZ0001QSZZ	AC	DD		C	Separator pawl washer (Except Japan)
501	CPLTP0060QS51 (Unit)	AV	FG		E	Reverse gate unit
901	DUNTW0037QS13	BW	RR		E	Fusing unit (100V)
	DUNTW0037QS14	BX	RR		E	Fusing unit (120V)
	DUNTW0037QS15	BX	TF		E	Fusing unit (230V)

9 Fusing unit



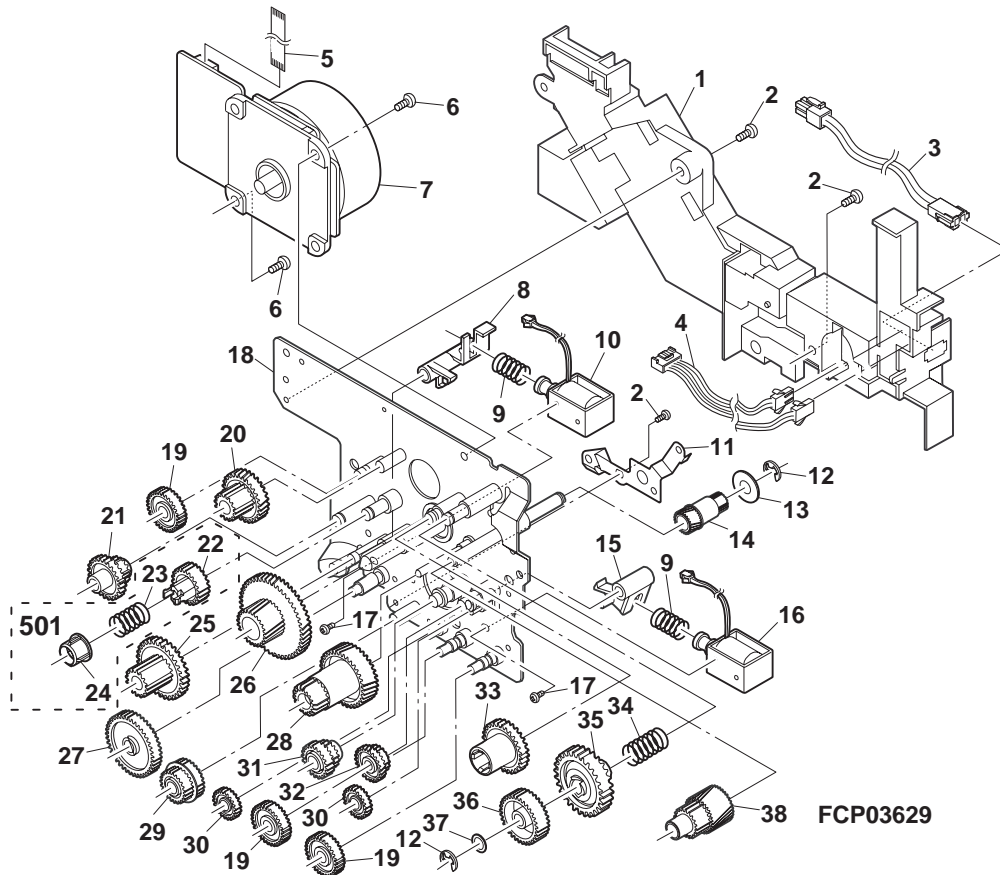
501

FCP03628

10 Main driving unit

NO.	PARTS CODE	PRICE RANK		NEW MARK	PART RANK	DESCRIPTION
		Ex.	Ja.			
1	PG i DM0030QSZZ	AL	EB		C	Harness guide
2	XHBSD30P08000	AA	DD		C	Screw (3x8)
3	DHA i -0110QSZZ	AP	EQ		C	HL harness
4	DHA i -0089QSZ1	AL	EB		C	Thermistor harness
5	DHA i -0114QSZZ	AC	DJ		C	Main motor harness
6	XBBSD40P10000	AA	DD		C	Screw (4x10)
7	RMÖTP0014QSZZ	BH	GX		B	Main motor
8	PTME-0003QSZ1	AD	DJ		C	Roller pawl
9	MSPRC1318FCZ1	AA	DJ		C	Spring B
10	RPLU-0009QSZZ	AN	EG		B	Solenoid CSA
11	LPL TM0048QSZZ	AF	DS		C	Drive earth plate
12	XRESP40-06000	AA	DD		C	E type ring
13	LX-WZ0002QSZZ	AB	DD		C	PO belt washer
14	NGERH0053QSZZ	AD	DJ		C	Gear (25/18T)
15	PTME-0012QSZZ	AC	DJ		C	PS clutch pawl
16	RPLU-0008QSZZ	AN	EG		B	Solenoid PS
17	XBBSD30P04000	AA	DD		C	Screw (3x4)
18	CPL TM0047QS02	BA	FX		C	Main drive plate
19	NGERH0010QSZZ	AD	DJ		C	Gear (28T)
20	NGERH0009QSZZ	AD	DJ		C	Gear (46/16T)
21	NGERH0014QSZZ	AD	DJ		C	Gear (30/15T)
22	NGERH0011QSZZ	AD	DJ		C	MG gear
23	MSPRC2132FCZ1	AA	DJ		C	MG roller spring
24	NCPL-0004FCZZ	AB	DD		C	Cupring B
25	NGERH0052QSZZ	AE	DJ		C	Gear (38/18T)
26	NGERH0007QSZZ	AH	DX		C	Gear (68/26T)
27	NGERH0057QSZZ	AE	DJ		C	Gear (41T)
28	NGERH0008QSZ1	AL	EB		C	Gear (55/19T)
29	NGERH0059QSZZ	AD	DJ		C	Gear (23/27T)
30	NGERH0012QSZZ	AE	DS		C	Gear (20T)
31	NGERH0058QSZZ	AF	DS		C	Gear (21/17T)
32	NGERH0013QSZZ	AG	DX		C	Gear (31/17T)
33	NGERH0016QSZZ	AD	DJ		C	Cupring gear (34T)
34	MSPRC0081QSZZ	AB	DJ		C	HT ratchet spring
35	NGERH0055QSZZ	AE	DJ		C	Ratchet gear (44T)
36	NGERH0056QSZZ	AE	DJ		C	Ratchet gear (33T)
37	LX-WZ0314FCZZ	AA	DD		C	Washer
38	NGERH0054QSZZ	AD	DJ		C	Gear (33/20T)
501	CGERH0011QS51	AE	DS		E	MG gear unit

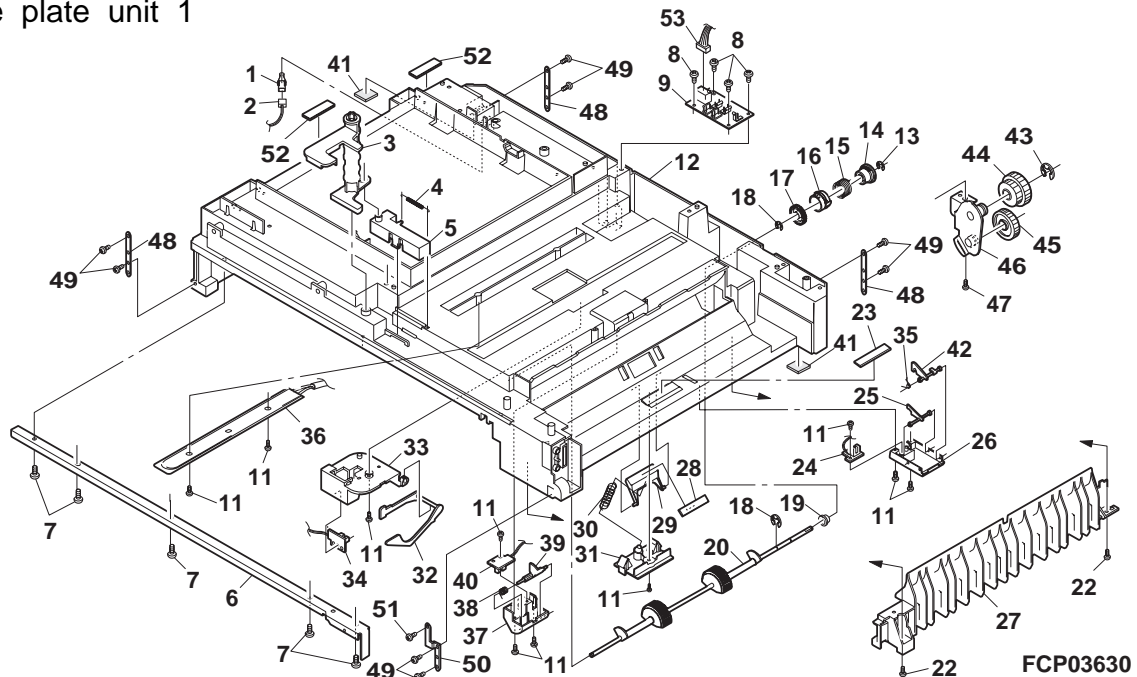
10 Main driving unit



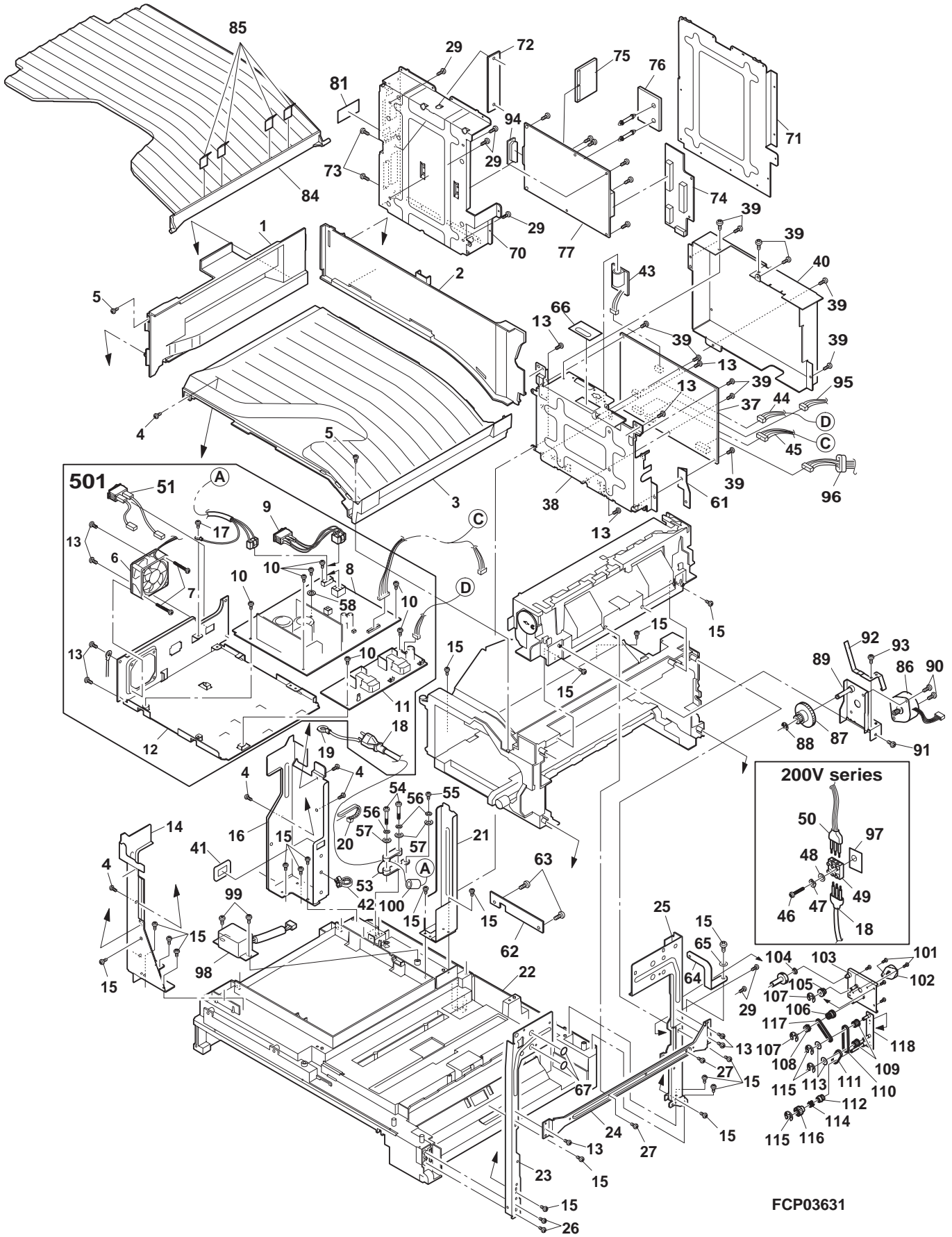
11 Base plate unit 1

NO.	PARTS CODE	PRICE RANK		NEW MARK	PART RANK	DESCRIPTION
		Ex.	Ja.			
1	QSW-B0003QSZZ	AF	DS		B	Tray detect switch
2	DHA i-0091QSZ1	AK	DX		C	TRAY SW harness
3	PTME-0013QSZZ	AL	EB		C	Door lock pawl
4	MSPRT0100QSZZ	AB	DJ		C	Door lock lever spring
5	MLEVP0022QSZZ	AE	DJ		C	Door lock lever
6	LPLTM0065QSZZ	AL	EB		C	Base reinforce plate F
7	XEPSD40P12000	AA	DD		C	Screw (4×12)
8	XEBSD30P10000	AA	DD		C	Screw (3×10)(Japan only)
9	CPWBF0023QS51	BA	FX		E	Dry heater PWB (Japan only)
11	XEBSD30P08000	AA	DD		C	Screw (3×8)
12	GDA i-0002QSZZ	BH	GX		C	Base plate
13	XRESP40-06000	AA	DD		C	E type ring
14	LBOSZ1031FCZZ	AC	DJ		C	Clutch boss
15	MSPRC1152FCZZ	AE	DJ		C	Clutch spring
16	PIPP0006QSZZ	AD	DJ		C	Clutch sleeve
17	NGERH0060QSZZ	AH	DX		C	Clutch gear (34T)
18	XRESP50-06000	AA	DD		C	E type ring
19	NBRGP0007QSZZ	AD	DJ		C	Bearing (φ6)
20	CRÖLP0039QS01	AW	FG		C	Paper feeding roller
22	XEBSD40P12000	AA	DD		C	Screw (4×12)
23	PSHEZ0133QSZZ	AD	DJ		C	Paper feeding sheet
24	CPWBF1177FC66	AP	EQ		E	Manual paper feeding sensor PWB
25	MLEVP0023QSZZ	AE	DS		C	MF sensor actuator
26	PCÖVP0033QSZZ	AF	DS		C	Manual feed sensor cover
27	LRALP0005QSZ1	AN	EQ	N	C	Base plate rail R
28	PSHEZ2026FCZ1	AB	DD		C	Sheet M1
29	LHLDZ0017QSZZ	AD	DJ		C	Pressure plate holder
30	MSPRC0101QSZZ	AB	DJ		C	Pressure plate spring
31	GFTA-0007QSZZ	AE	DS		C	Pressure plate cover
32	MLEVP0024QSZZ	AF	DS		C	Sensor lever ACT
33	LDA iU0011QSZZ	AF	DS		C	Sensor base
34	CPWBF1177FC65	AP	EQ		E	Tray sensor PWB
35	MSPRD0148QSZZ	AB	DJ		C	MF sensor spring
36	RHET-0005QSZZ	AQ	EQ	N	B	Dry heater (Japan only)
37	PCÖVP0032QSZ1	AD	DJ		C	PS sensor cover
38	MSPRC0099QSZ1	AC	DJ		C	PS front actuator spring
39	MLEVP0021QSZZ	AD	DJ		C	PS front actuator
40	CPWBF1177FC67	AP	EQ		E	PS sensor PWB
41	GLEGG0064FCZZ	AC	DJ		C	Rubber foot
42	MLEVP0044QSZZ	AE	DS		C	MF sensor actuator 2
43	XRESP70-08000	AA	DD		C	E type ring
44	NGERH0078QSZZ	AE	DJ		C	Joint gear (39/33T)
45	NGERH1169FCZZ	AF	DS		C	Joint gear
46	CPLTM0114QS01	AG	DX		B	Joint gear fixing plate
47	XEBSE40P12000	AA	DD		C	Screw (4×12)
48	LPLTM0112QSZZ	AE	DJ		C	Adjustment plate
49	XEBSE40P14000	AA	DD		C	Screw (4×14)
50	LPLTM0136QSZZ	AD	DJ		C	2ND joint R front
51	LX-BZ0018QSZZ	AB	DD		C	Screw (3×6)
52	LPLTM0125QSZZ	AD	DJ		C	Blind plate
53	DHA i-0125QSZZ	AE	DS		C	DH I/F PWB harness (Japan only)

11 Base plate unit 1



12 Base plate unit 2



FCP03631

12 Base plate unit 2

NO.	PARTS CODE	PRICE RANK		NEW MARK	PART RANK	DESCRIPTION
		Ex.	Ja.			
1	GCÖVH0014QSZZ	AR	EQ		C	Delivery left cover
2	GCÖVH0012QSZZ	AS	EQ		C	Delivery rear cover
3	LSÖU-0013QSZZ	BB	FX		D	Delivery tray
4	XEBSE30P08000	AA	DD		C	Screw (3×8)
5	XHBSE30P08000	AA	DD		C	Screw (3×8)
6	NFANP0003QSZZ	AY	FQ		C	PS fan
7	XBPSD30P30KS0	AA	DD		C	Screw (3×30KS)
△	8	RDEN-0002QSZZ	BX	TF	E	Low voltage power supply unit (100V)(Japan)
△		RDEN-0002QS11	BX	RR	E	Low voltage power supply unit (120V)(USA)
△		RDEN-0002QS12	BY	TF	E	Low voltage power supply unit (230V)(Europe)
9	DUNTK0049QSZZ	AU	EZ		E	AC switch unit (Japan only)
10	XBPSD30P08KS0	AA	DD		C	Screw (3×8KS)
△	11	RDEN-0001QSZZ	BK	HG	E	High voltage power supply unit
12	LPLTM0082QSZZ	AR	EQ		C	PS PWB fixing plate
13	XHBSD30P06000	AA	DD		C	Screw (3×6)
14	LFRM-0022QSZZ	AP	EQ		C	Corner frame FL
15	XEBSD40P12000	AA	DD		C	Screw (4×12)
16	LFRM-0023QSZZ	AQ	EQ		C	Corner frame RL
17	XBPSN40P06K00	AA	DD		C	Screw (4×6K)
△	18	DHA i-0136QSZZ	AY	FQ	C	AC cord (USA)
△		DHA i-0142QSZZ	AX	FG	C	AC cord (Europe)
△		DHA i-0137QSZZ	AW	FG	B	AC cord (100V)(Japan only)
19	DHA i-0139QSZZ	AG	DX		C	Earth wire (Japan only)
20	LBNDJ2004SCZZ	AA	DD		C	Wire band (120V)(USA)
21	LFRM-0032QSZZ	AN	EG		C	Corner frame CR
22	GDA i-0002QSZZ	BH	GX		C	Base plate
23	LFRM-0025QSZZ	AL	EB		C	Corner flame FR
24	LPLTM0099QSZZ	AK	DX		C	Corner frame R reinforce plate
25	LFRM-0026QSZZ	AS	EZ		C	Corner frame RR
26	XHBSD30P14000	AA	DD		C	Screw (3×14)
27	XEBSD30P10000	AA	DD		C	Screw (3×10)
29	XHBSD30P08000	AA	DD		C	Screw (3×8)
37	CPWBX0055QS51	CE	UF	N	E	MCU PWB (others)
	CPWBX0055QS52	CE	UF	N	E	MCU PWB (AR-N205)
38	LPLTM0063QSZZ	AS	EZ		C	MCU fixing plate
39	XBBSE30P06000	AA	DD		C	Screw (3×6)
40	LPLTM0064QSZZ	AR	EQ		C	MCU shield plate
41	PSHEP0090QSZZ	AD	DJ		C	Optical edge protect sheet A
42	LBNDJ0043FCZZ	AA	DJ		C	Band (SG-130)(Japan only)
43	CPWBF0033QS51	AP	EQ		E	RCU PWB
44	DHA i-0101QSZZ	AL	EB		C	PS high voltage harness
45	DHA i-0105QSZZ	AW	FG		C	PSLOVO harness
46	XEBSD30P18000	AA	DD		C	Screw (3×18)(Europe)
47	XWSSD30-07000	AA	DD		C	Washer (200V series)(Europe)
48	XWHSD30-05080	AA	DD		C	Washer (200V series)(Europe)
49	QTANN0015FCZZ	AG	DS		C	3P terminal base (200V series)(Europe)
50	DHA i-0140QSZZ	AP	EQ		C	AC harness (200V series)(Europe)
51	DUNTK0088QSZZ	AU	EZ		E	Dry AC switch unit (Japan only)
53	LFI X-0016FCZZ	AD	DJ		C	AC cord holder
54	XEPSD40P30000	AA	DD		C	Screw (4×30)
55	XEBSD40P12000	AA	DD		C	Screw (4×12)
56	XWSSD40-10000	AA	DD		C	Screw
57	XWHSD40-08100	AA	DD		C	Washer
58	LX-WZ0144FCZZ	AA	DD		C	Fusing washer
61	PSHEZ0136QSZZ	AC	DJ		C	Motor plate sheet
62	LPLTM0134QSZZ	AD	DJ		C	Corner frame earth plate (Except AR-N205)
63	XHBSE30P08000	AA	DD		C	Screw (3×8)(Except AR-N205)
64	PSHEZ0135QSZZ	AC	DJ		C	Driving plate sheet
65	XWHSD40-08100	AA	DD		C	Washer
66	PSHEP0085QSZZ	AC	DJ		C	Edge protector sheet D
67	PSHEZ0109QSZZ	AC	DJ		C	Optical base plate bottom myler B
70	LPLTM0078QSZZ	AU	EZ		C	OP PWB fixing plate (AR-N205)
71	LPLTM0079QSZZ	AN	EG		C	OP PWB shield (AR-N205)
72	LPLTM0124QSZZ	AE	DJ		C	NIC dammy cover (AR-N205)
73	XBBSE30P06000	AA	DD		C	Screw (3×6)(AR-N205)
74	CPWBX0031QS51	BA	FX		E	Mother PWB (AR-N205)
75	DUNTK0085QS11	BR	LX		E	J-Font PWB (AR-N205)
76	CPWBN0035QS51	AY	FQ		E	NW I/F PWB (AR-N205)
77	CPWBX0034QS51	CM	UW		E	PCL PWB (AR-N205)
81	PSHEZ0101QSZZ	AC	DJ		C	Edge protect sheet (AR-N205)
84	LSÖU-0012QSZZ	AX	FG		C	Separator tray (AR-N205)
85	PSHEZ0159QSZZ	AC	DJ		C	Separator tray sheet (AR-N205)
86	RMÖTP0019QSZZ	AV	FG		B	Separator motor (AR-N205)
87	NGERH0069QSZZ	AD	DJ		C	Separator gear (70/13)(AR-N205)
88	XRESP40-06000	AA	DD		C	E type ring (AR-N205)
89	CPLTM0076QS02	AG	DX		B	Separator motor plate ASS'Y (AR-N205)
90	XHBSD30P08000	AA	DD		C	Screw (3×8)(AR-N205)
91	XEBSD30P08000	AA	DD		C	Screw (3×8)(AR-N205)
92	LPLTM0106QSZZ	AE	DS		C	Delevery eathr plate C (AR-N205)
93	XHBSD30P08000	AA	DD		C	Screw (3×8)(AR-N205)

12 Base plate unit 2

NO.	PARTS CODE	PRICE RANK		NEW MARK	PART RANK	DESCRIPTION
		Ex.	Ja.			
94	PCAPH1001ACZZ	AE	DS		D	57L connector protect cap (AR-N205)
95	DHA i - 0125QSZZ	AE	DS		C	DH I/F PWB harness (Japan only)
96	RCORF0006QSZZ	AL	EB		C	Ferrite core
97	PSHEZ0140QSZZ	AE	DJ		C	3P terminal stand sheet (Europe)
98	RC i LZ0006QSZZ	BE	GN		C	Reactle (Europe)
99	XEBSD40P12000	AA	DD		C	Screw (4×12)(Europe)
100	RCORF0006QSZZ	AL	EB		C	Ferrite core (Except USA)
	RCORF0034FCZZ	AR	EQ		C	Ferrite core (RFC10)(USA)
101	XHBSD30P08000	AA	DD		C	Screw (3×8)
102	RMOTP0017QSZZ	AW	FG		B	DUP motor
103	CPL TM0073QS01	AM	EG		B	DUP motor fixing plate ASS'Y
104	NBRGC0529FCZZ	AD	DJ		C	Bearing
105	NGERH0065QSZZ	AC	DJ		C	Gear (21-28T)
106	NGERH0064QSZZ	AD	DJ		C	Gear pulley (40T24T)
107	XRESP40-06000	AA	DD		C	E type ring
108	NGERH0075QSZZ	AC	DJ		C	Gear (20T)
109	NPLYZ0011QSZZ	AC	DJ		C	Pully
110	NBL TT0009QSZZ	AG	DX		C	DUP driving belt (134)
111	NBL TT0008QSZZ	AG	DX		C	DUP roller driving belt
112	NPLYZ0008QSZZ	AC	DJ		C	Pully (S2M20T)
113	PSHEZ0065QSZZ	AB	DJ		C	Pully flange sheet
114	MSPRC1315FCZ1	AD	DJ		C	Manual clutch spring A
115	XRESP40-06000	AA	DD		C	E type ring
116	NGERH0066QSZZ	AD	DJ		C	Gear (17T)
117	NBL TT0009QSZZ	AG	DX		C	DUP driving belt (134)
118	CPL TM0103QS01	AG	DX		B	DUP driving idle ASS'Y
501	DUNTK0050QSZZ	BF	GN		E	Power supply unit (100V)
	DUNTK0050QS11	CD	UB		E	Power supply unit (120V)
	DUNTK0050QS12	CC	UB		E	Power supply unit (230V)

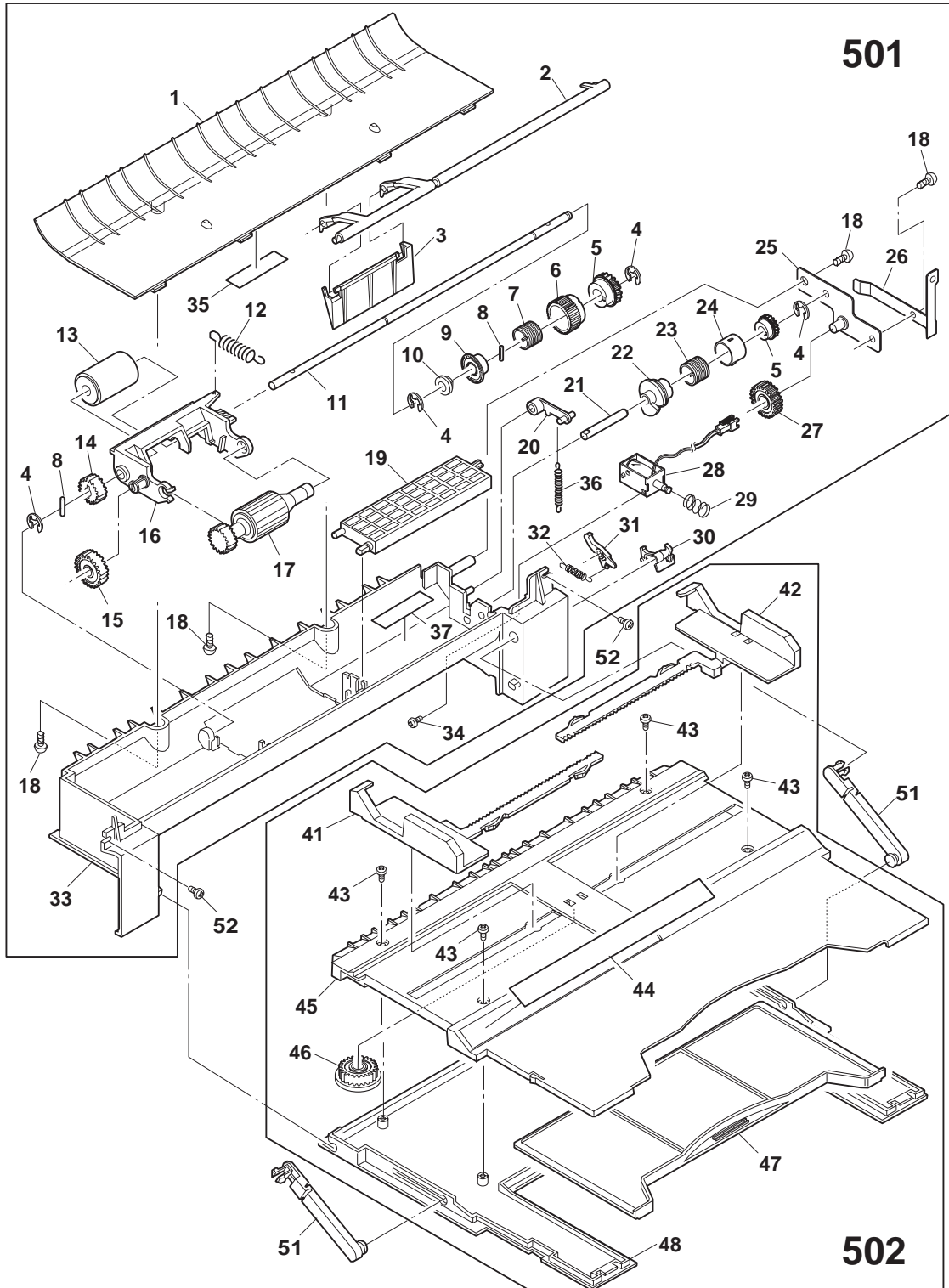
13 Manual paper feeding multi unit

NO.	PARTS CODE	PRICE RANK		NEW MARK	PART RANK	DESCRIPTION
		Ex.	Ja.			
1	PCOVP0030QSZZ	AN	EG		C	Multi frame cover
2	MARMP0008QSZZ	AH	DX		C	Stopper arm
3	LPL TP0056QSZZ	AE	DJ		C	Stopper plate
4	XRESP40-06000	AA	DD		C	E type ring
5	LBOSZ1510FCZZ	AF	DX		C	Cam boss A1
6	PP i PP0109FCZZ	AB	DD		C	Pipe A
7	MSPRC1315FCZ1	AD	DJ		C	Clutch spring A
8	XPSSJ20-07000	AA	DD		C	Spring pin (φ2-7)
9	LBOSZ1508FCZZ	AG	DX		C	Cam boss A2
10	LBSHZ0303FCZZ	AC	DJ		C	M bushing C
11	NSFTZ0018QSZ1	AL	EB		C	Roller shaft
12	MSPRT0091QSZZ	AC	DJ		C	Roller arm spring
13	NRÖLR0922FCZZ	AR	EZ		C	Manual paper feed roller
14	NGERH0495FCZZ	AC	DD		C	Gear (20T)
15	NGERH0061QSZZ	AD	DJ		C	Gear (24T)
16	MARMP0009QSZZ	AF	DS		C	Roller arm
17	CRÖLP1115FC01	AN	EG		C	Manual feed take-up roller
18	XEBSD30P08000	AA	DD		C	Screw (3×8)
19	MARMP0007QSZZ	AE	DJ		C	Cam transmission arm
20	MARMP0006QSZZ	AD	DJ		C	Arm
21	NSFTZ0017QSZZ	AG	DS		C	Manual feed cam shaft
22	MCAMP0001QSZZ	AF	DS		C	Drive cam
23	MSPRC1316FCZ1	AE	DS		C	MF clutch spring B
24	PP i PP0009QSZZ	AD	DJ		C	Cam clutch sleeve
25	CPL TM0055QS01	AF	DS		C	Paper feeding joint plate
26	MSPRD0092QSZZ	AE	DJ		C	MF earth spring
27	NGERH0972FCZZ	AB	DJ		C	Gear (27T)
28	RPLU-0007QSZZ	AN	EG		B	Multi feeding solenoid
29	MSPRC1318FCZ1	AA	DJ		C	Spring B
30	PTME-0179FCZZ	AC	DD		C	Manual paper feeding pawl B
31	PTME-0178FCZZ	AC	DD		C	Manual paper feeding pawl A
32	MSPRC2175FCZZ	AA	DJ		C	Pawl A spring
33	LFRM-0020QSZZ	AV	FG		C	Multi feed frame
34	XBBSD30P10000	AA	DD		C	Screw (3×10)
35	PSHEZ0099QSZZ	AC	DJ		C	Protect sheet
36	MSPRT0147QSZZ	AC	DJ		C	Stopper arm spring
37	PSHEZ0100QSZZ	AC	DJ		C	Protect sheet C
41	PG i DM0037QSZZ	AG	DS		C	MB side guide F
42	PG i DM0038QSZZ	AG	DS		C	MB side guide R
43	XEBSE30P06000	AA	DD		C	Screw (3×6)
44	TLABH0066QSZ1	AE	DJ		C	Size graduation label (Japan only)
45	LSÖU-0009QSZZ	AV	FG		D	Multi feed tray 1-U
46	NGERH0193FCZZ	AB	DD		C	UC manual feed gear
47	LSÖU-0011QSZZ	AL	EB		D	Multi feed tray 2
48	LSÖU-0010QSZZ	AU	FG		D	Multi feed tray 1-L

13 Manual paper feeding multi unit

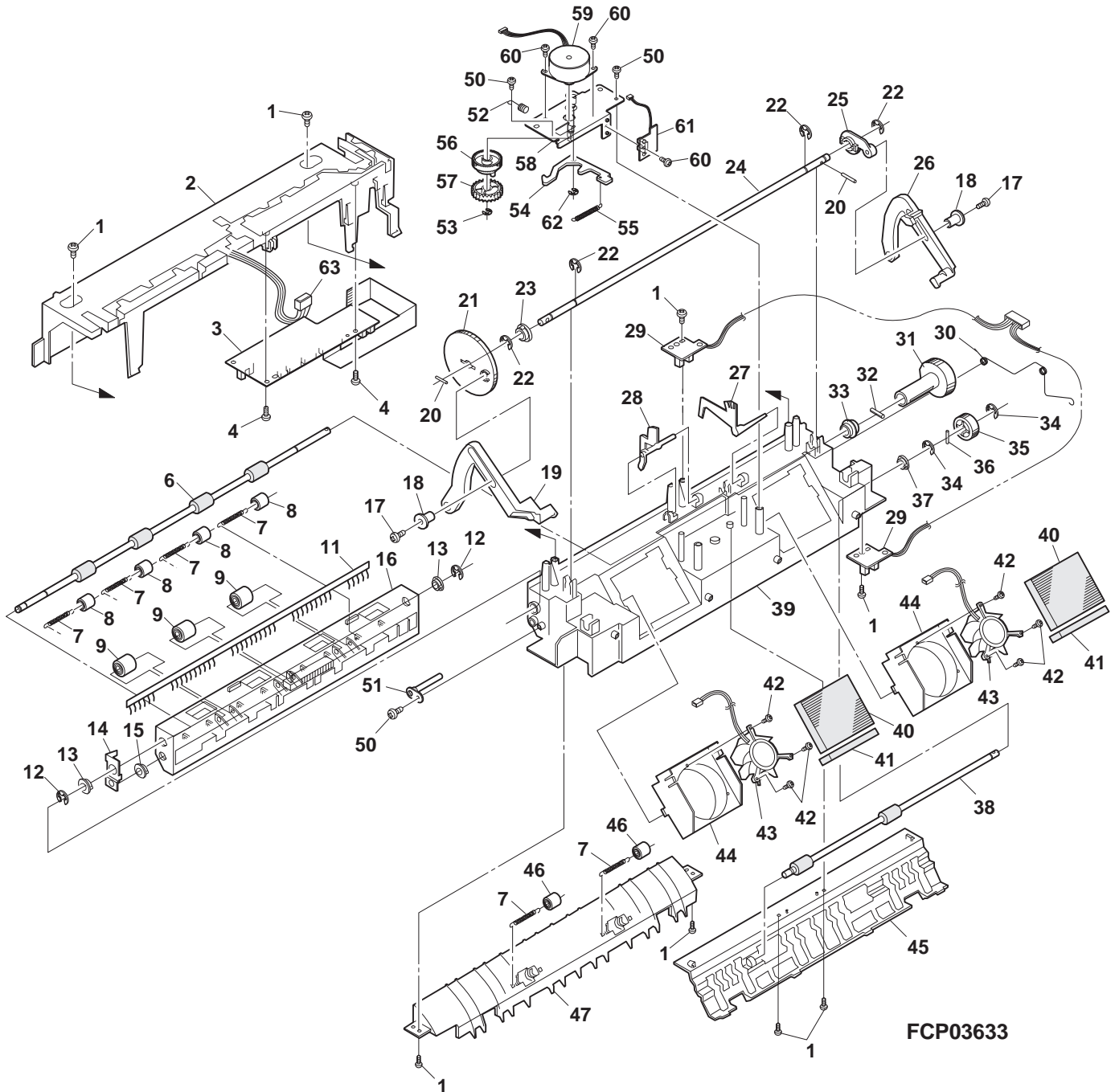
NO.	PARTS CODE	PRICE RANK		NEW MARK	PART RANK	DESCRIPTION
		Ex.	Ja.			
51	MARMP0005QSZZ	AE	DJ		C	Tray arm
52	XEBSD30P08000	AA	DD		C	Screw (3×8)
501	CFRM-0020QS51	BK	HG		E	Manual paper feeding multi unit
502	CSOU-0009QS51	BC	GJ		E	Manual feeding tray unit (Japan only)
	CSOU-0009QS52	BD	GJ		E	Manual paper tray unit (Except Japan)

13 Manual paper feeding multi unit



FCP03632

14 Delivery frame unit



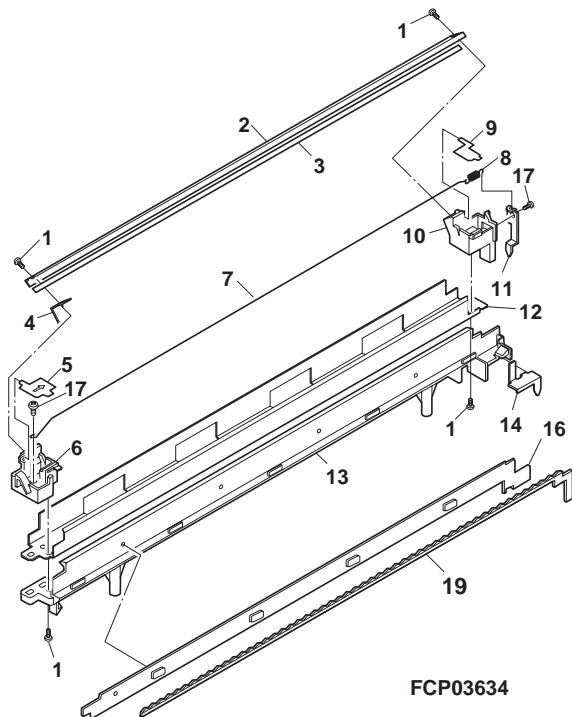
15 TC case unit

NO.	PARTS CODE	PRICE RANK		NEW MARK	PART RANK	DESCRIPTION
		Ex.	Ja.			
1	XEBSE30P08000	AA	DD		C	Screw (3x8)
2	PG i DH0031QSZZ	AH	DX		C	TC front guide
3	PSHEP0050QSZ1	AD	DJ		C	TC sheet
4	LPL TM0059QSZZ	AC	DJ		C	TC upper PG earth spring plate
5	PSHEP0051QSZZ	AB	DJ		C	TC cover sheet F
6	LHLDZ0030QSZZ	AD	DJ		C	TC holder F
7	DW i R-0466CSZZ	BG	HC		B	Charger wire
8	MSPRT0513FCZ1	AA	DJ		C	MC tension spring
9	PSHEP0052QSZZ	AB	DJ		C	TC cover sheet R
10	LHLDZ0032QSZZ	AD	DJ		C	TC holder R
11	QSLP-0009QSZZ	AD	DJ		C	TC electrode plate
12	PCASZ0006QSZZ	AM	EG		C	TC case
13	LHLDZ0031QSZZ	AK	EB		C	Discharge holder
14	QSLP-0008QSZZ	AD	DJ		C	BC electrode plate
16	PG i DM0032QSZZ	AE	DS		C	Separator guide
17	XEBSD30P06000	AA	DD		C	Screw (3x6)
19	PSHEZ0125QSZZ	AE	DS		C	Discharger delivery sheet
(Unit)						
901	CHLDZ0030QS51	BA	FX		E	TC unit

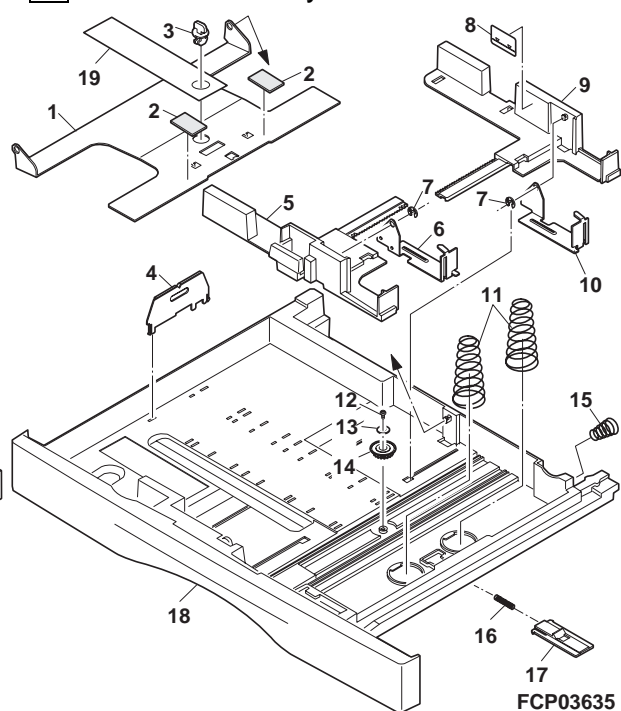
16 250 sheets tray unit

NO.	PARTS CODE	PRICE RANK		NEW MARK	PART RANK	DESCRIPTION
		Ex.	Ja.			
1	LPL TM0053QSZ1	AS	EQ		C	Rotation plate
2	PSHEZ0054QSZZ	AC	DJ		C	Rotation plate sheet
3	LHLDW1226FCZZ	AB	DJ		C	Turn fasner
4	LPL TM2642FCGZ	AD	DS		C	Tray rear plate
5	PG i DM0035QSZZ	AP	EQ		C	Guide F
6	PTME-0255FCZZ	AG	DS		C	250 Tray pawl F
7	XRESP40-06000	AA	DD		C	E type ring
8	T LABH0064QSZ1	AC	DJ		C	Indicator label
9	PG i DM0036QSZZ	AP	EQ		C	Guide R
10	PTME-0256FCZZ	AG	DS		C	250 Tray pawl R
11	MSPRC0090QSZZ	AD	DJ		C	Tray spring
12	XEBSD30P08000	AA	DD		C	Screw (3x8)
13	XWHS30-08100	AA	DD		C	Washer
14	NGERH0193FCZZ	AB	DD		C	UC manual feed gear
15	MSPRC0152QSZZ	AB	DJ		C	Tray drawer lower spring D
16	MSPRC1145FCZZ	AA	DD		C	Stopper spring
17	LSTPP0161FCZZ	AB	DD		C	Rotation plate stopper
18	GCASP0003QSZZ	AZ	FQ		D	Tray case
19	TTAG-0004QSZZ	AC	DJ		D	Tray rotation tag
(Unit)						
901	CCASP0003QS51	BG	GX		E	250 Tray unit

15 TC case unit



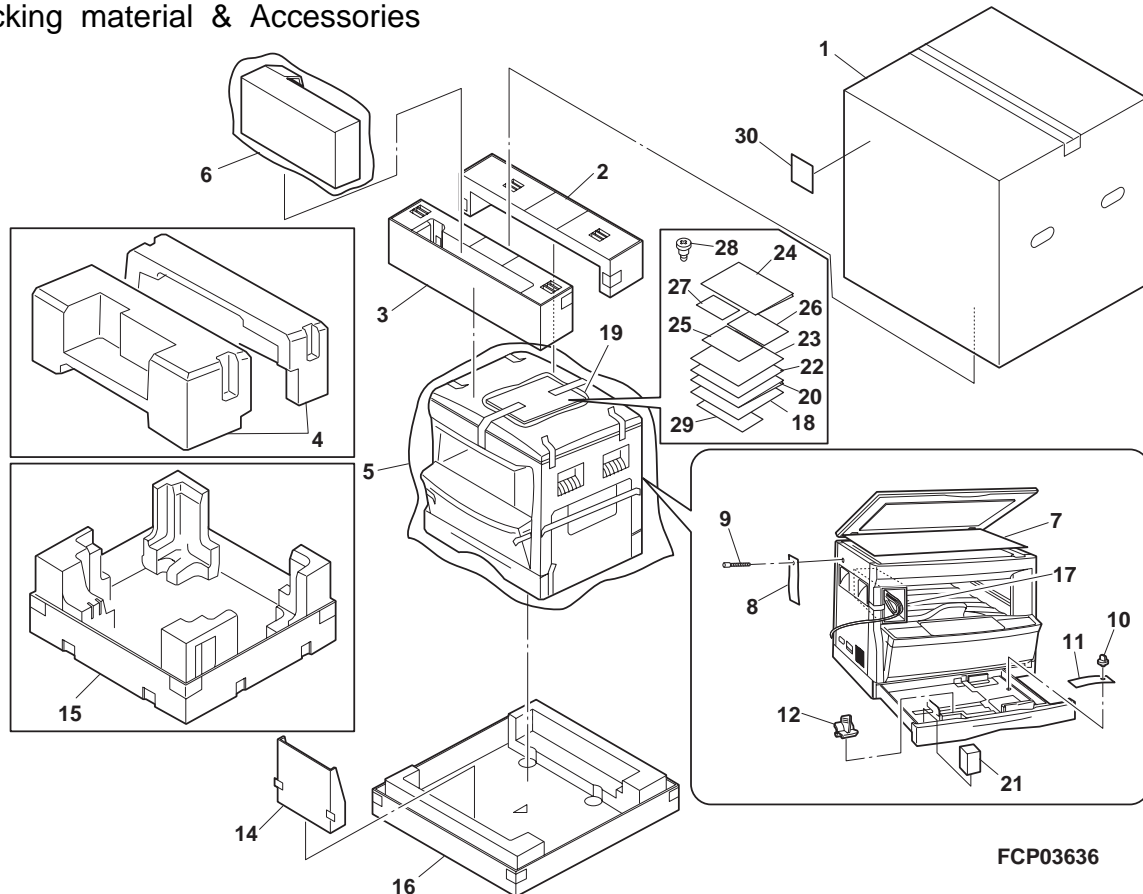
16 250 sheets tray unit



17 Packing material & Accessories

NO.	PARTS CODE	PRICE RANK		NEW MARK	PART RANK	DESCRIPTION
		Ex.	Ja.			
1	SPAKC0136QS13	AZ	FQ	N	D	Packing case (AR-N205)
	SPAKC0112QS15	AZ	FQ	N	D	Packing case (USA)
	SPAKC0136QS11	AZ	FQ	N	D	Packing case (AR-S205)
	SPAKC0146QS11	AZ	FQ	N	D	Packing case (Europe)
2	SPAKA0132QSZZ	AR	EQ		D	Top packing cushion F OC (Japan only)
3	SPAKA0131QSZZ	AT	EZ		D	Top packing cushion (Japan only)
4	SPAKA0110QSZZ	AZ	FQ		D	Top packing cushion (Except Japan)
5	SSAKH9982QCZZ	AF	DS		D	Vinyl bag (1190×940mm)
6	UBAGF0018YSZ1	AF	DS		D	DV aluminum bag
7	SPAKA0134QSZZ	AE	DJ		D	OC protection sheet (Japan only)
8	TCADZ0010QSZZ	AC	DJ		D	Fixer screw caution card
9	LX-BZ0015QSZZ	AF	DS		C	2nd,3rd mirror fixing screw
10	LHLDW1226FCZZ	AB	DJ		C	Turn fasner
11	TTAG-0004QSZZ	AC	DJ		D	Tray rotation tag
12	CCL EZ0005QS51	AQ	EQ		E	Charger cleaner unit
14	SPAKA0138QSZZ	AG	DX		D	Spacer B (Japan only)
15	CPAKA0084QS01	BA	FX		B	Bottom add (Except Japan)
16	SPAKA0130QSZZ	BA	FX		D	Bottom case (Japan only)
17	SPAKA0150QSZZ	AF	DS		D	Accessories protection packing cushion
18	GCOVZ0023QSZZ	BA	FX	N	D	Dust cover (Japan only)
19	SSAKA2343QCZZ	AA	DD		D	Vinyl bag (260×380mm)
20	C i N S J 0 2 2 5 Q S 5 1	BD	ZZ	N	D	Operation manual (COPY)(Japanese)(AR-N205)
	C i N S J 0 2 2 6 Q S 5 1	AX	ZZ	N	D	Operation manual (PR)(Japanese)(AR-N205)
	C i N S J 0 1 9 2 Q S 5 1	BC	ZZ	N	D	Operation manual (COPY)(Japanese)(AR-S205)
	C i N S E 0 1 9 3 Q S 5 1	AZ	FQ	N	D	Operation manual (COPY)(USA)
	C i N S E 0 1 9 4 Q S 5 1	AY	FQ	N	D	Operation manual (COPY)(English)
	C i N S G 0 1 9 6 Q S 5 1	AY	FQ	N	D	Operation manual (COPY)(Germany)
21	SPAKA0167QSZZ	AD	DJ		D	Tray protector sheet
22	TCADZ0021QSZZ	AD	DJ		D	KIT agreement (Japan only)
23	CCASZ0067FC02	AM	EG		D	Maintenance card (Japan only)
24	CCADZ0050QS51	AH	DX	N	D	Instral manual card (AR-N205)
	TCADZ0040QSZZ	AG	DX		D	Instral manual card (AR-S205)
	TCADZ0049QSZZ	AH	DX		D	Instral card (Europe)
25	TLABH0116QSZZ	AN	EG		D	Size display label (Japan only)
	TLABH0069QSZZ	AN	EG		D	Size display label (Inch series)
	TLABH0065QSZZ	AN	EG		D	Size display label (AB series Except Japan)
26	TLABH0068QSZZ	AF	DS		C	Label (AB series)
	TLABH0078QSZZ	AF	DS		D	Label (Inch series)
27	TLABH0138QSZZ	AD	DJ		D	D-Fcover label
28	LX-BZ0017QSZZ	AC	DD		C	DV screw
29	CDSKA0001QS33	AM	EG		D	Disk-AR-J-1.0 (AR-N205)
30	TLABS3760FCZZ	AC	DJ		D	CE mark label (Europe)

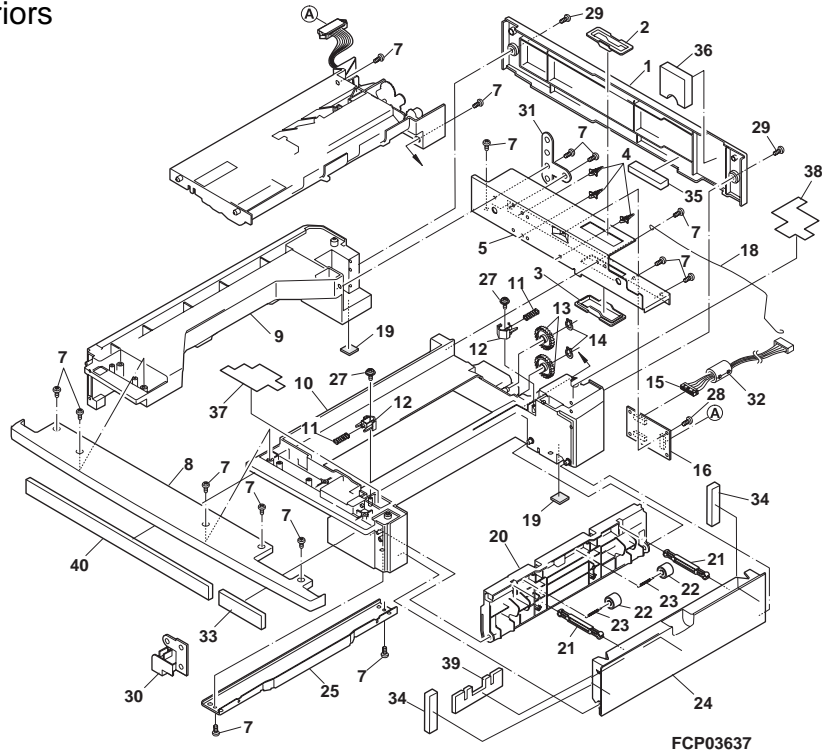
17 Packing material & Accessories



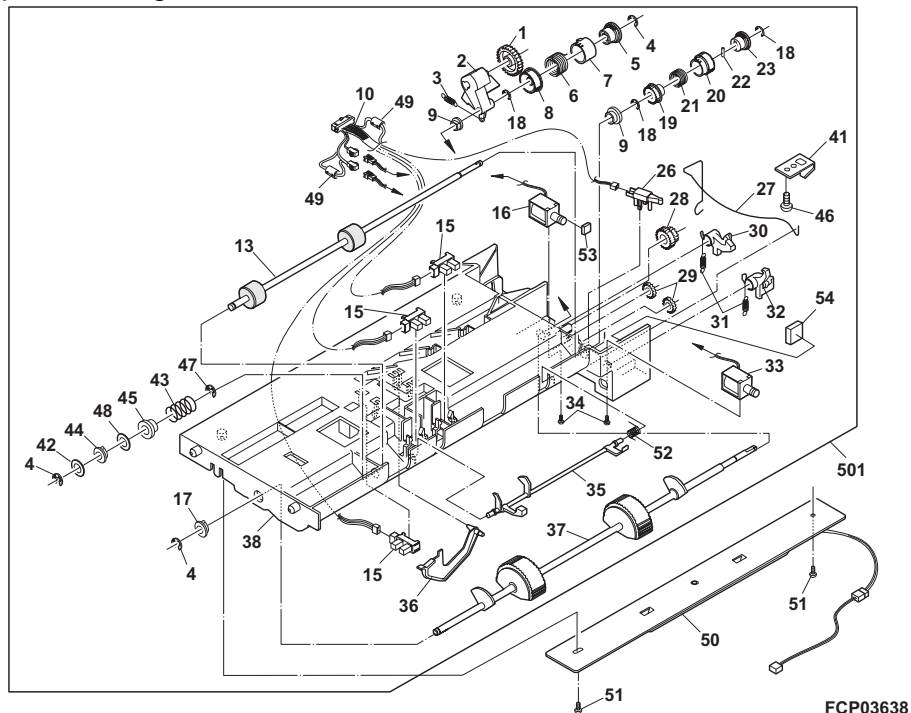
19 1ST Tray paper feeding unit

NO.	PARTS CODE	PRICE RANK		NEW MARK	PART RANK	DESCRIPTION
		Ex.	Ja.			
43	MSPRC0157QSZZ	AC	DJ		C	Break spring
44	NBRGC0529FCZZ	AD	DJ		C	SPF bearing
45	PPiPP0011QSZZ	AC	DJ		C	Break sleeve
46	XBBSE30P06000	AA	DD		C	Screw (3×6)
47	XRESP50-06000	AA	DD		C	E type ring
48	XWHSD60-10000	AA	DD		C	Washer
49	RCORF0006QSZZ	AL	EB		C	Ferrite core
50	DUNT-0065QSZZ	AV	FG		E	Heater unit (Japan only)
51	XEBSE30P08000	AA	DD		C	Screw (3×8)(Japan only)
52	MSPRD0156QSZZ	AB	DJ		C	PPD1ACT spring
53	PSPO-0005QSZZ	AA	DJ	N	C	Clutch pawl cushion (Europe)
54	PSPO-0007QSZZ	AB	DJ	N	C	Transport clutch pawl cushion (Europe)
501	CFRM-0031QS51	BL	HR		E	Paper feeding unit (1ST tray) (Except Europe)
	CFRM-0031QS55	BS	MJ	N	E	Paper feeding unit (1ST tray) (Europe)

18 1ST Tray exteriors



19 1ST Tray paper feeding unit



20 MCU PWB

NO.	PARTS CODE	PRICE RANK		NEW MARK	PART RANK	DESCRIPTION	
		Ex.	Ja.				
1	VH i 29F04002QS	BA	FX		B	IC (29F04002QS)	[IC20]
2	QCNCM0016QSZZ	AL	EB		C	Connector (TX25-60P6ST)	[CN3]
3	QCNCM0017QSZZ	AC	DJ		C	Connector (4pin)	[CN17]
4	QCNCM0030QSZZ	AL	EB		C	Connector (TX2560P8ST)	[CN7]
5	QCNCM0877FCZZ	AF	DS		C	Connector (20pin)	[CN10]
6	QCNCM0923FC24	AF	DS		C	Connector (24pin)	[CN11]
7	QCNCM2401SC0D	AC	DJ		C	Connector (4pin)	[CN31]
8	QCNCM7014SC0E	AB	DJ		C	Connector (5pin)	[CN34]
9	QCNCM7014SC1A	AC	DJ		C	Connector (11pin)	[CN8]
10	QCNCM7014SC1J	AC	DD		C	Connector (10pin)	[CN9]
11	QCNCW0885FCZZ	AG	DX		C	Connector (1-171825-2)	[CN30]
12	QCNCW1124LC1F	AC	DJ		C	Connector (16pin)	[CN25]
13	VH i SC65165V6T	BW	RR		B	IC (64M EDO DRAM)(SC65165V6T)	[IC36]
14	VH i STA401A/-1	AP	EQ		B	IC (STA401A)	[IC26]
15	VH i 16163CLT-6	BA	FX		B	64MDRAM (16163CLT-6)	[IC34]
16	VHV i CPN38//--1	AF	DS		B	IC protector (ICPN38)	[F1,F2,F3,F5,F6,F7]
17	QCNCM0019QSZZ	AB	DJ		C	Connector (B2B-PH-K-YW)	[CN19]
18	QCNCM0846FCZZ	AF	DS		C	Connector (12pin)	[CN12]
19	QCNCM0923FC22	AF	DS		C	Connector (22pin)	[CN5]
20	QCNCM1005MCZZ	AB	DD		C	Connector (2pin)	[CN36]
21	QCNCM1006MCZZ	AB	DD		C	Connector (3pin)	[CN22]
22	QCNCM1119LC0C	AC	DJ		C	Connector (3pin)	[CN28]
23	QCNCM1119LC0D	AC	DJ		C	Connector (B4B-PH-K-M)(4pin)	[CN15]
24	QCNCM2401SC0C	AB	DJ		C	Connector (3pin)	[CN29]
25	QCNCM2401SC0E	AC	DJ		C	Connector (5pin)	[CN1]
26	QCNCM7014SC0B	AD	DJ		C	Connector (2pin)	[CN18]
27	QCNCM7014SC0C	AA	DD		C	Connector (3pin)	[CN32]
28	QCNCM7014SC0D	AB	DD		C	Connector (4pin)	[CN27]
29	QCNCM7014SC0F	AB	DD		C	Connector (6pin)	[CN26]
30	QCNCM7014SC0G	AB	DD		C	Connector (7pin)	[CN6]
31	QCNCM7014SC1B	AD	DJ		C	Connector (12pin)	[CN4]
32	QCNCP0240QCZZ	AA	DJ		C	Connector (2pin)	[CN14]
33	QCNCP0242QCZZ	AA	DJ		C	Connector (2pin)	[CN16]
34	QCNCP0341QCZZ	AC	DJ		C	Connector (3pin)	[CN33]
35	QCNCW0015QSZZ	AE	DJ		C	Connector (5pin)	[CN35]
36	QCNCW0024QSZZ	AF	DS		C	Connector (32pin)	[CN2]
37	QCNCW0948FCZ3	AC	DJ		C	Connector (3pin)	[CN23,CN24]
38	QCNCW1124LC0D	AB	DJ		C	Connector (4pin)	[CN20]
39	QCNCW1124LC0H	AC	DJ		C	Connector (8pin)	[CN13]
40	QSOCZ6408ACZZ	AB	DD		C	8P DIP socket	[IC4]
41	RCRSZ0001QSZZ	AG	DS		B	Crystal (19.6608MHz)	[X1]
42	RCRSZ0003QSZZ	AP	EQ		B	Crystal (22.000MHz)	[X2]
43	RCRSZ0004QSZZ	AP	EQ		B	Crystal (20.3094MHz)	[X3]
44	RF i LN0019GCZZ	AC	DJ		C	Bead filter (ZE221)	[FB2,10,11]
45	RMP TW4000QCJ J	AB	DD		B	Block resistor (0Ω×4 1/32W ±5%)	[BR4,29,30]
46	RMP TW4103QCJ J	AB	DD		B	Block resistor (10KΩ×4 1/32W ±5%)	[BR1~3,6,7,11,13~24]
46	RMP TW4103QCJ J	AB	DD		B	Block resistor (10KΩ×4 1/32W ±5%)	[BR31,47,51,52,66~73]
47	RMP TW4203QCJ J	AA	DD		B	Block resistor (20KΩ×4 1/32W ±5%)	[BR43~45,53~65]
48	RMP TW4222QCJ J	AB	DD		B	Block resistor (2.2KΩ×4 1/32W ±5%)	[BR50]
49	RMP TW4330QCJ J	AB	DD		B	Resistor arrey (33Ω×4 1/32W ±5%)	[BR5,8~10,12,32~38]
49	RMP TW4330QCJ J	AB	DD		B	Resistor arrey (33Ω×4 1/32W ±5%)	[BR40~42,74~82]
50	VCCCCY1HH101J	AA	DD		C	Capacitor (50WV 100pF)	[C266,269,270,273]
51	VCCCCY1HH120J	AA	DD		C	Capacitor (50WV 12pF)	[C253]
52	VCCCCY1HH7R0D	AA	DD		C	Capacitor (50WV 7.0pF)	[C11,12]
53	VCCUCY1AJ105Z	AC	DD		C	Capacitor (10WV 1μF)	[C15]
54	VCEAGU1CW106M	AA	DD		C	Capacitor (16WV 10μF)	[C7,9,103]
55	VCEAGU1CW107M	AB	DD		C	Capacitor (16WV 100μF)	[C25,32,33,35,37,41,42,73]
56	VCEAGU1CW226M	AA	DD		C	Capacitor (16WV 22μF)	[C91,98,254,255]
57	VCEAGU1CW476M	AB	DD		C	Capacitor (16WV 47μF)	[C262,263]
58	VCEAGA1HW107M	AA	DD		C	Capacitor (50WV 100μF)	[C74]
59	VCEAGA1VW106M	AA	DD		C	Capacitor (35WV 10μF)	[C102]
60	VCEAGU1VW476M	AB	DD		C	Capacitor (35WV 47μF)	[C72,75,76,96,97]
61	VCKYCY1EB223K	AA	DD		C	Capacitor (25WV 0.022μF)	[C13,14,17,24,30,89]
	VCKYCY1EF104Z	AA	DD		C	Capacitor (25WV 0.10μF)	[C1,8,10,16,19,20,22,26~29,31,34,36,43]
62	VCKYCY1EF104Z	AA	DD		C	Capacitor (25WV 0.10μF)	[C58,62,65,69,84,85,87,88,90]
	VCKYCY1EF104Z	AA	DD		C	Capacitor (25WV 0.10μF)	[C104,113,114,131~138,200~203]
	VCKYCY1EF104Z	AA	DD		C	Capacitor (25WV 0.10μF)	[C205~251,264,271,272,279]
63	VCKYCY1HB102K	AA	DD		C	Capacitor (50WV 1000pF)	[C4,5,18,21,23,77~81,105~112,115~130]
64	VCKYCY1HB222K	AA	DD		C	Capacitor (50WV 2200pF)	[C39,61,68,95,101]
65	VCKYCY1HB471K	AB	DD		C	Capacitor (50WV 470pF)	[C99,100,252]
66	VHDDSS133//--1	AA	DD		B	Diode (DSS133)	[D2~9]
67	VHD1N4005E/-1	AB	DJ		B	Diode (1N4005E)	[D10]
68	VHERD20EB3/-1	AB	DD		B	Zener diode (RD20EB3)	[D1]
69	VHEUDZS5.6B-1	AC	DJ		B	Zener diode (UDZS5.6B)	[ZD1~16]
70	VH i HG73C025FD	BE	GN		B	IC (HG73C025FD)	[IC13]
71	VH i H8S/2350FP	AY	FQ		B	CPU (H8S/2350FP)	[IC1]

20 MCU PWB

NO.	PARTS CODE	PRICE RANK		NEW MARK	PART RANK	DESCRIPTION
		Ex.	Ja.			
72	VH i LM358PS/-S	AC	DJ		B	IC (LM358PS) [IC10]
73	VH i MC7805CT-2	AE	DS		B	IC (MC7805CT-2) [IC15]
74	VH i M24C04BN6/-	AG	DX		B	4K-EEPROM (M24C04BN6) [IC4]
75	VH i M51953BL-1	AF	DS		B	IC (M51953BL) [IC2]
76	VH i M66236FP-1	AT	EZ		B	IC (M66236FP) [IC14]
77	VH i NJM2903M/-	AD	DJ		B	IC (NJM2903M) [IC16]
78	VH i NJM3414M-1	AF	DX		B	IC (NJM3414M) [IC9]
79	VH i SLA7027MUL	AQ	EQ		B	IC (SLA7027MUL) [IC25]
80	VH i TA7291S/-1	AF	DS		B	IC (TA7291S) [IC27]
81	VH i TC74ACT32F	AF	DS		B	IC (TC74ACT32F) [IC12]
82	VH i TD62503F/-	AG	DX		B	IC (TD62503F) [IC31]
83	VH i ULN2003AN1	AE	DJ		B	IC (ULN2003AN1) [IC28,29,38]
84	VH i W24257A12J	AN	EG		B	IC (W24257A12J) [IC18,19,21,22,35,37]
85	VH i W42C3103G/-	AU	EZ		B	IC (W42C31-03G) [IC40]
86	VH i 65808GN146	BF	GN		B	IC (65808GN146) [IC5]
87	VH i 74HCT244MF	AH	DX		B	IC (74HCT244MF) [IC8]
88	VH i 74LS244NS1	AH	DX		B	IC (74LS244NS1) [IC30,32,33]
89	VH i 74VHC08/-1	AE	DS		B	IC (74VHC08) [IC3,IC39]
91	VRS-CY1 JD000J	AA	DD		C	Resistor (1/16W 0Ω ±5%) [FB3,4,9,R94,115,202,206,208,209,210]
92	VRS-CY1 JD100J	AA	DD		C	Resistor (1/16W 10Ω ±5%) [R8,51-56,61-66]
93	VRS-CY1 JD101J	AA	DD		C	Resistor (1/16W 100Ω ±5%) [R3,4,7,117,118]
94	VRS-CY1 JD102J	AA	DD		C	Resistor (1/16W 1.0KΩ ±5%) [R13-18,24,25,33,137,201]
95	VRS-CY1 JD103F	AB	DD		C	Resistor (1/16W 10KΩ ±1%) [R29,31,72,74]
96	VRS-CY1 JD103J	AA	DD		C	Resistor (1/16W 10KΩ ±5%) [R1,2,5,6,10,23,50,70,73,85,93,97,205]
97	VRS-CY1 JD203J	AA	DD		C	Resistor (1/16W 20KΩ ±5%) [R27,32,34,35,57-60,67,68,138-140,211]
98	VRS-CY1 JD205J	AA	DD		C	Resistor (1/16W 2.0MΩ ±5%) [R28,30]
99	VRS-CY1 JD220F	AA	DD		C	Resistor (1/16W 22Ω ±1%) [R76]
100	VRS-CY1 JD221J	AA	DD		C	Resistor (1/16W 220Ω ±5%) [R107]
101	VRS-CY1 JD242F	AA	DD		C	Resistor (1/16W 2.4KΩ ±1%) [R69,75]
102	VRS-CY1 JD242J	AA	DD		C	Resistor (1/16W 2.4KΩ ±5%) [R81,100,109]
103	VRS-CY1 JD330J	AA	DD		C	Resistor (1/16W 33Ω ±5%) [R36-49]
104	VRS-CY1 JD331J	AA	DD		C	Resistor (1/16W 330Ω ±5%) [R106,FB1]
105	VRS-CY1 JD472J	AA	DD		C	Resistor (1/16W 4.7KΩ ±5%) [R19,21,26,77-79,87]
106	VRS-CY1 JD473J	AA	DD		C	Resistor (1/16W 47KΩ ±5%) [R101,102,113,114]
107	VRS-CY1 JD511J	AA	DD		C	Resistor (1/16W 510Ω ±5%) [R103]
108	VRS-CY1 JD680J	AA	DD		C	Resistor (1/16W 68Ω ±5%) [R105]
109	VRS-RE3DA1R0J	AB	DD		C	Resistor (2W 1.0Ω ±5%) [R104,108]
110	VRS-RE3DA131J	AC	DD		C	Resistor (2W 130Ω ±5%) [R71]
111	VRS-TP2BD221J	AB	DD		C	Resistor (1/8W 220Ω ±5%) [R80,82-84,86,88,89]
112	VRS-TP2BD472J	AA	DD		C	Resistor (1/8W 4.7KΩ ±5%) [R111,112]
113	VRS-TP2BD473J	AA	DD		C	Resistor (1/8W 47KΩ ±5%) [R110]
114	VRS-TS2AD101J	AA	DD		C	Resistor (1/10W 100Ω ±5%) [FB8]
115	VSDTC114EK/-1	AB	DD		B	Transistor (DTC114EK) [Q1,Q3]
116	VS2SA1036KQRC	AB	DD		B	Transistor (2SA1036KQRC) [Q2]
	(Unit)					
901	CPWBX0055QS51	CE	UF	N	E	MCU PWB (others)
	CPWBX0055QS52	CE	UF	N	E	MCU PWB (AR-N205)

21 COPY-Operation PWB

NO.	PARTS CODE	PRICE RANK		NEW MARK	PART RANK	DESCRIPTION
		Ex.	Ja.			
1	QCNCW0020QSZZ	AG	DS		C	Connector (12pin) [CN1]
2	QCNCW0021QSZZ	AF	DS		C	Connector (15pin) [CN4]
3	QCNCW0022QSZZ	AE	DJ		C	Connector (25pin) [CN3]
4	QCNCW0023QSZZ	AE	DS		C	Connector (19pin) [CN2]
5	QSW-P0008QSZZ	AC	DJ		B	Switch (EVQ-23G-04K) [K1-5,7,8,9,11-14,16-20,22-33]
6	RCRMZ0001QSZZ	AE	DS		B	Crystal (9.8304MHZ) [X1]
7	RCRSZ0005QSZZ	AF	DS		B	Crystal (MX38T)(32.768KHZ) [X2]
8	VCCCY1HH150J	AB	DD		C	Capacitor (50WV 15PF) [C12,13]
9	VCCCY1HH300J	AB	DD		C	Capacitor (50WV 30PF) [C14,15]
10	VCEAJU1CW476M	AB	DD		C	Capacitor (16WV 47μF) [C1]
11	VCKYCY1HB102K	AA	DD		C	Capacitor (50WV 1000PF) [C2-7,10,11]
12	VCKYCY1HF103Z	AA	DD		C	Capacitor (50WV 0.010μF) [C8]
13	VCCUCY1AJ105Z	AC	DD		C	Capacitor (10WV 1.0μF) [C9]
14	VCKYCY1HF223Z	AA	DD		C	Capacitor (50WV 0.022μF) [C17]
15	VHDDSS133//--1	AA	DD		B	Diode (DSS133) [D56-66]
16	VH i H8/3643/-1	AU	EZ		B	IC (H8/3643) [IC1]
17	VH i TB62706AN/	AS	EQ		B	IC (TB62706AN) [IC3]
18	VH i TD62785F//	AN	EQ		B	IC (TD62785F) [IC2]
19	VHPLTC3650G01	AQ	EQ		B	Photo transistor (LTC3650G01) [U1]
20	VHP1LHLE-002A	AC	DJ	N	B	LED (Green) (1LHLE-002A)(Japan only) [D1-4,6,7,10,11,12,14,15,16,18-24]
	VHP1LHLE-002A	AC	DJ	N	B	LED (Green) (1LHLE-002A)(Japan only) [D26-33,35,36,37,38,39,40,41,43,44,46-50,52]

21 COPY-Operation PWB

NO.	PARTS CODE	PRICE RANK		NEW MARK	PART RANK	DESCRIPTION
		Ex.	Ja.			
20	VHP1LHLE-002A	AC	DJ	N	B	LED (Green) (1LHLE-002A)(Except Japan) [D1~4,6,7,10,11,12,14,15,16,18~20,22,23,24]
	VHP1LHLE-002A	AC	DJ	N	B	LED (Green) (1LHLE-002A)(Except Japan) [D26~32,35,36,37,38,39,40,41,43,44,46~50,52]
21	VHP1LHEE-002A	AC	DJ	N	B	LED (Red) (1LHEE-002A) [D5,8,9,13,17,42,45,51,53,54]
22	VRD-RC2EY161J	AA	DD		C	Resistor (1/4W 160Ω ±5%) [R1,9]
23	VRS-CY1JD000J	AA	DD		C	Resistor (1/16W 0Ω ±5%) [R58,17]
24	VRS-CY1JD103J	AA	DD		C	Resistor (1/16W 10KΩ ±5%) [R11~16,20~24,26~44,46~49]
25	VRS-CY1JD105J	AA	DD		C	Resistor (1/16W 1.0MΩ ±5%) [R45]
26	VRS-CY1JD123J	AA	DD		C	Resistor (1/16W 12KΩ ±5%) [R18]
27	VRS-CY1JD471J	AA	DD		C	Resistor (1/16W 470Ω ±5%) [R8]
28	VRS-TP2BD6R8J	AA	DD		C	Resistor (1/8W 6.8Ω ±5%) [R2~7,52~57]
29	VS2SA1162-Y-1	AB	DD		B	Transistor (2SA1162) [Q1]
30	VS2SC2712Y/-1	AB	DJ		B	Transistor (2SC2712Y) [Q4]
31	VCKYCY1EF104Z	AA	DD		C	Capacitor (25WV 0.01μF) [C18]
	(Unit)					
901	CPWBN0024QS53	BP	LP		E	COPY operation PWB (Japan only)
	CPWBN0024QS54	BQ	LP		E	COPY operation PWB (Except Japan)

22 Duplex/P-out sensor PWB

NO.	PARTS CODE	PRICE RANK		NEW MARK	PART RANK	DESCRIPTION
		Ex.	Ja.			
1	DHAi-0100QSZZ	AG	DX		C	Duplex/P-out sensor harness
2	LBNDJ0037FCZ1	AA	DJ		C	Wire band (T18S)
3	VCKYPU1HB102K	AA	DD		C	Capacitor (50WV 0.001μF)
4	VHPGP1S53V/-1	AE	DS		B	Photo transistor (GP1S53V)
	(Unit)					
901	CPWBF1177FC64	AP	EQ		E	Duplex/P-out sensor PWB

23 MHPS PWB

NO.	PARTS CODE	PRICE RANK		NEW MARK	PART RANK	DESCRIPTION
		Ex.	Ja.			
1	DHAi-0096QSZZ	AF	DS		C	Scanner HP sensor harness
2	LBNDJ0037FCZ1	AA	DJ		C	Wire band (T18S)
3	VCKYPU1HB102K	AA	DD		C	Capacitor (50WV 0.001μF)
4	VHPGP1S53V/-1	AE	DS		B	Photo transistor (GP1S53V)
	(Unit)					
901	CPWBF1177FC63	AP	EQ		E	MHPS PWB

24 Tray sensor PWB

NO.	PARTS CODE	PRICE RANK		NEW MARK	PART RANK	DESCRIPTION
		Ex.	Ja.			
1	DHAi-0092QSZZ	AF	DS		C	Tray empty sensor harness
2	LBNDJ0037FCZ1	AA	DJ		C	Wire band (T18S)
3	VCKYPU1HB102K	AA	DD		C	Capacitor (50WV 0.001μF)
4	VHPGP1S53V/-1	AE	DS		B	Photo transistor (GP1S53V)
	(Unit)					
901	CPWBF1177FC65	AP	EQ		E	Tray sensor PWB

25 Manual paper feeding sensor PWB

NO.	PARTS CODE	PRICE RANK		NEW MARK	PART RANK	DESCRIPTION
		Ex.	Ja.			
1	DHAi-0093QSZZ	AF	DS		C	Hand empty sensor harness
2	LBNDJ0037FCZ1	AA	DJ		C	Wire band (T18S)
3	VCKYPU1HB102K	AA	DD		C	Capacitor (50WV 0.001μF)
4	VHPGP1S53V/-1	AE	DS		B	Photo transistor (GP1S53V)
	(Unit)					
901	CPWBF1177FC66	AP	EQ		E	Manual paper feeding sensor PWB

26 PS sensor PWB

NO.	PARTS CODE	PRICE RANK		NEW MARK	PART RANK	DESCRIPTION
		Ex.	Ja.			
1	DHA i - 0094QSZZ	AF	DS		C	Paper in sensor harness
2	LBNDJ0037FCZ1	AA	DJ		C	Wire band (T18S)
3	VCKYPU1HB102K	AA	DD		C	Capacitor (50WV 0.001μF)
4	VHPGP1S53V/-1	AE	DS		B	Photo transistor (GP1S53V)
	(Unit)					
901	CPWBF1177FC67	AP	EQ		E	PS sensor PWB

27 RCU PWB

NO.	PARTS CODE	PRICE RANK		NEW MARK	PART RANK	DESCRIPTION
		Ex.	Ja.			
1	DHA i - 0133QSZZ	AH	DX		C	RCS PWB harness
2	QCNCM0029QSZZ	AK	DX		C	Connector (MD-S5130)(5pin)
	(Unit)					
901	CPWBF0033QS51	AP	EQ		E	RCU PWB

28 Low voltage power supply unit

NO.	PARTS CODE	PRICE RANK		NEW MARK	PART RANK	DESCRIPTION
		Ex.	Ja.			
1	0KY0D113A003/	AX	FG		B	Diode (100V series) [D1]
	0KY0D119A006/	AW	FG		B	Diode (200V series) [D1]
2	0KY0D157A006/	AF	DS		B	Diode [D2,3]
3	0KY0D202B001/	AZ	FQ		B	Diode (100V series) [D116]
	0KY0D202B006/	AZ	FQ		B	Diode (200V series) [D116]
4	0KY0D206B003/	AY	FQ		B	Diode [D101]
5	0KY0D208B006/	AQ	EQ		B	Diode (100V series) [D51]
	0KY0D264A010/	AN	EQ		B	Diode (200V series) [D51]
6	0KY0D219B006/	AQ	EQ		B	Diode [D903]
7	0KY0D251A002/	AD	DJ		B	Diode [D4,104,105,108,111,118,120,904]
8	0KY0D264A006/	AL	EB		B	Diode [D107]
9	0KY0D265A002/	AK	DX		B	Diode [D8]
10	0KY0D466A024/	AE	DS		B	Diode [D119]
11	0KY0D466A048/	AE	DS		B	Diode [D117]
12	0KY0D466A096/	AE	DS		B	Diode [D7]
13	0KY0D466A105/	AU	EZ		B	Diode [D11,103]
14	0KY0D513A406/	AU	EZ		B	Triac (100V series) [TRA2]
	0KY0D513A606/	AU	EZ		B	Triac (200V series) [TRA2]
15	0KY0D517A416/	BC	GD		B	Triac (100V series) [TRA1]
	0KY0D517A616/	BC	GJ		B	Triac (200V series) [TRA1]
16	0KY0T502A001/	AY	FQ		B	Transistor [Q112]
17	0KY0T415A003/	AT	EZ		B	Transistor [Q902]
18	0KY0T421A001/	BA	FX		B	Transistor [Q901]
19	0KY0T643A001/	BB	GD		B	Transistor (100V series) [Q1]
	0KY0T617A001/	BA	FX		B	Transistor (200V series) [Q1]
20	0KY0T351A005/	AF	DS		B	Transistor [Q101,103,113,903,904]
21	0KY0H112A001/	AN	EQ		B	IC [IC902]
22	0KY0H128A001/	AZ	FQ		B	IC [IC1]
23	0KY0H130A012/	AT	EZ		B	IC [IC102]
24	0KY0H141A001/	AZ	FQ		B	IC [IC101]
25	0KY0H153A001/	AP	EQ		B	IC [IC103,901]
26	0KY0H719A001/	AN	EG		B	Photo coupler (100V series) [PC1,2,4]
	0KY0H723A001/	AP	EQ		B	Photo coupler (200V series) [PC1,2,4]
27	0KY0H725A001/	AV	FG		B	Photo coupler [PC10]
28	0KY0D719A471/	AM	EG		B	Varister (100V series) [Z1,2]
	0KY0D719A471/	AM	EG		B	Varister (200V series) [Z1]
29	0KY0K651A362/	AV	FG		B	Arrester (100V series) [AL1]
30	0KY0D802A101/	AS	EQ		B	Fuse resistor [PTC101]
31	0KY0R153U100/	AC	DJ		C	Resistor [R118,150,156]
32	0KY0R153U220/	AC	DJ		C	Resistor [R24]
33	0KY0R153U221/	AC	DJ		C	Resistor [R104]
34	0KY0R153U331/	AC	DJ		C	Resistor [R107,109]
35	0KY0R153U391/	AC	DJ		C	Resistor [R122]
36	0KY0R153U471/	AC	DJ		C	Resistor [R37]
37	0KY0R153U102/	AC	DJ		C	Resistor [R8,33,142,154]
38	0KY0R153U152/	AC	DJ		C	Resistor [R103]
39	0KY0R153U222/	AC	DJ		C	Resistor [R106,128,144,907]
40	0KY0R153U272/	AC	DJ		C	Resistor [R143]
41	0KY0R153U332/	AC	DJ		C	Resistor [R110,119]
42	0KY0R153U472/	AC	DJ		C	Resistor [R14,108]
43	0KY0R153U103/	AC	DJ		C	Resistor [R23,27,28,30,120,123,901]
44	0KY0R153U123/	AC	DJ		C	Resistor [R114]
45	0KY0R153U153/	AC	DJ		C	Resistor [R113,127]
46	0KY0R153U223/	AC	DJ		C	Resistor [R105]

28 Low voltage power supply unit

NO.	PARTS CODE	PRICE RANK		NEW MARK	PART RANK	DESCRIPTION
		Ex.	Ja.			
47	0KY0R153U273/	AC	DJ		C	Resistor [R117,153]
48	0KY0R153U473/	AC	DJ		C	Resistor [R29,124]
49	0KY0R153U683/	AC	DJ		C	Resistor [R111,126]
50	0KY0R153U104/	AC	DJ		C	Resistor [R15]
51	0KY0R153U224/	AC	DJ		C	Resistor [R141]
52	0KY0R153U105/	AC	DJ		C	Resistor [R155]
53	0KY0R163B564/	AE	DJ		C	Resistor [R6]
54	0KY0R353U100/	AD	DJ		C	Resistor [R32]
55	0KY0R353U330/	AD	DJ		C	Resistor [R902]
56	0KY0R353U181/	AD	DJ		C	Resistor [R131]
57	0KY0R353U221/	AD	DJ		C	Resistor (100V series) [R26,115]
	0KY0R353U241/	AD	DJ		C	Resistor (200V series) [R26]
58	0KY0R353U271/	AD	DJ		C	Resistor (100V series) [R34]
	0KY0R353U221/	AD	DJ		C	Resistor (200V series) [R34,115]
59	0KY0R353U431/	AD	DJ		C	Resistor [R904]
60	0KY0R353U821/	AD	DJ		C	Resistor [R903]
61	0KY0R353U102/	AD	DJ		C	Resistor [R909]
62	0KY0R353U122/	AD	DJ		C	Resistor [R905]
63	0KY0R353U392/	AD	DJ		C	Resistor [R121]
64	0KY0R353U153/	AD	DJ		C	Resistor [R116]
65	0KY0R353U223/	AD	DJ		C	Resistor [R35,36]
66	0KY0R362U100/	AG	DX		C	Resistor [R40]
67	0KY0R451C220/	AE	DS		C	Resistor (100V series) [R9,10]
	0KY0R452D100/	AF	DS		C	Resistor (200V series) [R9,10]
68	0KY0R451C101/	AE	DS		C	Resistor [R3]
69	0KY0R451C121/	AE	DS		C	Resistor [R4]
70	0KY0R451C222/	AF	DS		C	Resistor [R132]
71	0KY0R452D100/	AF	DS		C	Resistor [R38]
72	0KY0R452D101/	AF	DS		C	Resistor [R145,146]
73	0KY0R452D153/	AF	DS		C	Resistor (100V series) [R11,12]
	0KY0R452D473/	AF	DS		C	Resistor (200V series) [R11,12]
74	0KY0R452D273/	AF	DS		C	Resistor (100V series) [R18,19]
	0KY0R452D683/	AF	DS		C	Resistor (200V series) [R18,19]
75	0KY0R452D563/	AF	DS		C	Resistor (100V series) [R13]
	0KY0R452D473/	AF	DS		C	Resistor (200V series) [R13,16,22]
76	0KY0R516FR01/	AR	EQ		C	Resistor [R908]
77	0KY0R516FR05/	AR	EQ		C	Resistor (100V series) [R25,139,140]
	0KY0R516FR15/	AR	EQ		C	Resistor (200V series) [R25]
	0KY0R516FR05/	AR	EQ		C	Resistor (200V series) [R139,140]
78	0KY0R522F100/	AU	EZ		C	Resistor [R7]
79	0KY0R854E102/	AG	DS		B	Variable resistor [VR101,102]
80	0KY0C151E101/	AD	DJ		C	Capacitor [C117]
81	0KY0C151M221/	AE	DS		C	Capacitor [C110]
82	0KY0C171E331/	AD	DJ		C	Capacitor [C19]
83	0KY0C1A9R221/	AG	DS		C	Capacitor (100V series) [C10,104]
	0KY0C1A8S470/	AG	DS		C	Capacitor (200V series) [C10]
	0KY0C1A9R221/	AG	DS		C	Capacitor (200V series) [C104]
84	0KY0C1A9R331/	AG	DX		C	Capacitor [C101]
85	0KY0C1A9R471/	AG	DX		C	Capacitor (100V series) [C51]
86	0KY0C1H6Q222/	AH	DX		C	Capacitor (100V series) [C12,13]
	0KY0C1H6Q472/	AK	EB		C	Capacitor (200V series) [C12,C13,C61,C62]
87	0KY0C1H6Q472/	AK	EB		C	Capacitor (100V series) [C2,3]
88	0KY0C245Q224/	AN	EG		C	Capacitor [C4,7]
89	0KY0C251E102/	AE	DJ		C	Capacitor [C23,109,121,905]
90	0KY0C251E472/	AE	DJ		C	Capacitor [C17,902]
91	0KY0C251E103/	AE	DJ		C	Capacitor [C15,24,107,108,118,123]
92	0KY0C251E223/	AE	DS		C	Capacitor [C20]
93	0KY0C251E333/	AE	DS		C	Capacitor [C16]
94	0KY0C251E473/	AF	DS		C	Capacitor [C5]
95	0KY0C251E104/	AG	DS		C	Capacitor [C105,111]
96	0KY0C2X0Q104/	AR	EQ		C	Capacitor [C6]
97	0KY0C364E4R7/	AH	DX		C	Capacitor [C18,115,116]
98	0KY0C374D820/	AH	DX		C	Capacitor [C14]
99	0KY0C374D331/	AN	EG		C	Capacitor [C112]
100	0KY0C375B471/	AN	EG		C	Capacitor [C113,903]
101	0KY0C3L2A332/	AT	EZ		C	Capacitor [C119,153]
102	0KY0C3L2B152/	AS	EQ		C	Capacitor [C901]
103	0KY0C3L3L102/	BD	GJ		C	Capacitor (100V series) [C8,22]
	0KY0C3J5M181/	BC	GD		C	Capacitor (200V series) [C8,22]
104	0KY0C3L7D102/	AR	EQ		C	Capacitor [C102,103,114]
105	0KY0L100C0022	BA	FX		C	Coil (100V series) [L104]
	0KY0L100C002/	BC	GJ		C	Coil (200V series) [L104]
106	0KY0L100E0112	BB	GD		C	Coil (100V series) [L101]
	0KY0L100E011/	BD	GN		C	Coil (200V series) [L101]
107	0KY0L107R202/	AZ	FX		C	Coil (100V series) [L7,8]
	0KY0L115J602/	AX	FG		C	Coil (200V series) [L7]
108	0KY0L200Q0362	BE	GN		B	Transformer (100V series) [T1]
	0KY0L200Q036/	BF	GN		B	Transformer (200V series) [T1]
109	0KY0L551A001/	AE	DS		B	Bead filter (100V series) [BEA51,101,102,104]
	0KY0L551A001/	AE	DS		B	Bead filter (200V series) [BEA101,102,104]

△
△

28 Low voltage power supply unit

NO.	PARTS CODE	PRICE RANK		NEW MARK	PART RANK	DESCRIPTION
		Ex.	Ja.			
110	0KY0L551A002/	AF	DS		B	Bead filter [BEA3]
111	0KY0L552A001/	AE	DS		B	Bead filter [BEA4]
112	0KY0K716A4R0/	AK	DX		A	Fuse (100V series) [F101,102]
	0KY0K717A4R0/	AK	DX		A	Fuse (200V series) [F101,102]
113	0KY0K716A5R0/	AK	DX		A	Fuse (100V series) [F3]
	0KY0K718A4R0/	AM	EG		A	Fuse (200V series) [F3]
114	0KY0K722A020/	AT	EZ		A	Fuse (AC250V 20A)(100V) [F1,2]
	0KY0K704A020/	AQ	EQ		A	Fuse (AC250V 20A)(120V) [F1]
	0KY0K723A010/	AR	EQ		A	Fuse (200V series) [F1,2]
115	0KY0K309A024/	AZ	FQ		B	Relay [RL1]
116	0KY0K202B003/	AG	DX		C	Connector [CN102]
117	0KY0K219B003/	AS	EZ		C	Connector [CN1]
118	0KY0K219B004/	AU	EZ		C	Connector [CN3]
119	0KY0K219B006/	AX	FG		C	Connector [CN2]
120	0KY0K235B002/	AN	EG		C	Connector [CN6]
121	0KY0K236B026/	AR	EQ		C	Connector [CN101]
122	0KY0K252P004/	AH	DX		C	Frame grand terminal [FG1,2,3]
123	0KY0L313R001/	AH	DX		C	Coil [L105,106]
124	0KY0K251A002/	AG	DX		C	Connector (200V series) [CN4]
125	0KY0L112R502/	BB	GD		C	Coil (200V series) [L1]
126	0KY0L114R101/	AX	FG		C	Coil (200V series) [L2,3,4]
	(Unit)					
901	RDEN-0002QSZZ	BX	TF		E	Low voltage power supply unit (100V)
	RDEN-0002QS11	BX	RR		E	Low voltage power supply unit (120V)
	RDEN-0002QS12	BY	TF		E	Low voltage power supply unit (230V)

29 Mother PWB) ..AR-N205 onl

NO.	PARTS CODE	PRICE RANK		NEW MARK	PART RANK	DESCRIPTION
		Ex.	Ja.			
1	QCNCM0016QSZZ	AL	EB		C	Connector (60pin)(TX25-60P6ST)
2	QCNCM0026QSZZ	AG	DX		C	Connector (TX25-30P6ST)
3	QCNCM7022SC0H	AD	DJ		C	Connector (8pin)(S8B-PH-K-S)
4	QCNCW0027QSZZ	AL	EB		C	Connector (TX24-60R6ST)
	(Unit)					
901	CPWBX0031QS51	BA	FX		E	Mother PWB

30 LCD operation PWB) ..AR-N205 onl

NO.	PARTS CODE	PRICE RANK		NEW MARK	PART RANK	DESCRIPTION
		Ex.	Ja.			
1	LPLTM0130QSZZ	AE	DJ		C	LCD spacer
2	QCNCW0021QSZZ	AF	DS		C	Connector (15pin)(52793-2590)
3	QSW-P0008QSZZ	AC	DJ		B	Switch (EVQ-23G-04K)
4	VHP1LHLE-002A	AC	DJ	N	B	LED (1LHLE-002A)
5	VVLHLM3212-01	BA	ZZ		B	LCD (LHLM3212)
	(Unit)					
901	CPWBF0026QS51	BD	GJ		E	LCD operation PWB

31 NW I/F PWB) ..AR-N205 onl

NO.	PARTS CODE	PRICE RANK		NEW MARK	PART RANK	DESCRIPTION
		Ex.	Ja.			
1	LSUPP0110FCZZ	AC	DJ		C	PWB supporter (WLS-20-0)
2	QCNCM5254NCZZ	AQ	EG		C	Connector (DHB-PB60)
3	QCNCW0079GCZZ	AN	EQ		C	Connector (DHB-RB60)
	(Unit)					
901	CPWBN0035QS51	AY	FQ		E	NW I/F PWB

32 PCL PWB) ..AR-N205 onl

NO.	PARTS CODE	PRICE RANK		NEW MARK	PART RANK	DESCRIPTION
		Ex.	Ja.			
1	QCNCW0032QSZZ	AG	DX		C	Connector (TX24-30R-6ST-H1) [CN5]
2	QCNCW0047GCZZ	AN	EQ		C	Connector (60pin)(DHB-RD60-S131N-4.9) [CN6]
3	QCNCW0071GCZZ	AH	DX		C	Connector (57pin)(57RE-40360-830B) [CN7]
4	QSÖCZ0001QSZZ	AL	EB		C	Socket (DMM168-FLAA2-3A133) [CN3,4]
5	QSÖCZ0070FCZZ	AN	EG		C	Push memory socket (93674-51872) [CN2]
6	RCRSZ0007QSZZ	AR	EQ		C	Crystal (81.2376MHz) [X1]
7	RCRSZ0008QSZZ	AG	DX		C	Crystal (14.31818MHz) [X2]
8	RF i L N0006GCZZ	AD	DJ		C	Chip bead (BLM21B22S) [L1,2]
9	T L A B S 0 2 0 9 G C Z Z	AC	DJ		D	CE mark label ~26,C28~32,C46~53,C62~66,C77~80]
10	VCCCTV1HH101J	AA	DD		C	Capacitor (50WV 100pF) [C22~26,C28~32,C46~53,C62~66,C77~80]
11	VCEAEU1CW107M	AB	DD		C	Capacitor (16WV 100µF) [C1,2,C5,6,C11,C15]
12	VCEAJU1CW106M	AB	DD		C	Capacitor (16WV 10µF) [C7~9,C12,13]
13	VCEAJA1CW226M	AB	DD		C	Capacitor (16WV 22µF) [C3,4,C10,C14,C16~19]
14	VCKYTQ1HF104Z	AA	DD		C	Capacitor (50WV 0.10µF) [C20,21,C27,C33~45,C54~59,C61,C67~76,C81~102]
15	VCKYTV1HB103K	AB	DD		C	Capacitor (50WV 0.010µF) [C60]
16	VH i A T 2 4 C 1 6 N //	AL	EB		B	EEPROM (AT24C16N) [IC23]
17	VH i C Y 2 2 9 2 S 5 3 5	AV	FG		B	PLL-IC (CY2292S535) [IC18]
18	VH i D 9 0 0 1 M F - H /	BK	HC		B	IC (D9001MF-H) [IC16]
19	VH i K Z 3 H 0 0 8 3 0 2	AW	FG		B	G/A (KZ3H008302) [IC19]
20	VH i K Z 4 H 1 6 7 V 0 3	BH	GX		B	G/A (KZ4H167V03) [IC17]
21	VH i P F 8 0 0 S U 7 0 /	BB	GD		B	IC (PF800SU70) [IC2,IC4]
22	VH i L V C 1 6 2 4 4 D L	AT	EZ		B	IC (LVC16244DL) [IC10,11]
23	VH i L V C 1 6 2 4 5 D L	AT	EZ		B	IC (LVC16245DL) [IC13]
24	VH i N R 4 6 5 0 L 1 3 3	BK	HC		B	IC (NR4650L133) [IC1]
25	VH i 2 8 F 0 1 6 S U 7 0	BR	LX		B	Flash memory (28F016SU70) [IC3,IC5]
26	VH i 5 1 V 1 8 1 6 5 - 6	AY	FQ		B	16MDRAM (51V18165-6) [IC6,7,8,9]
27	VH i 7 4 L S 2 4 4 N S 1	AH	DX		B	IC (74LS244NS1) [IC15,IC20,21]
28	VH i 7 4 L S 2 4 5 N S 1	AF	EB		B	IC (74LS245NS1) [IC22]
29	VH i 7 4 L V C 0 4 N S 1	AH	DX		B	IC (74LVC04NS1) [IC24]
30	VH i 7 4 L V C 0 8 N S 1	AH	DX		B	IC (74LVC08NS1) [IC26]
31	VH i 7 4 L V C 2 4 4 N S	AN	EG		B	IC (74LVC244NS) [IC12,IC14]
32	VH i 7 4 L V C 3 2 N S 1	AH	DX		B	IC (74LVC32NS1) [IC27]
33	VH i 7 4 L V C 7 4 N S 1	AH	DX		B	IC (74LVC74NS1) [IC25,IC28]
34	VRS-CY1JD100J	AA	DD		C	Resistor (1/16W 10Ω ±5%) [R1~5,R11,12,R23~29,R38,39,R49~62,R64~66,R68]
	VRS-CY1JD100J	AA	DD		C	Resistor (1/16W 10Ω ±5%) [R70~74,R86~93,R95~101,R103,R125,R134~138,R145~165,R169,R176]
	VRS-CY1JD100J	AA	DD		C	Resistor (1/16W 10Ω ±5%) [R181~184,R187~198,R223,224,R236~251,R254~256]
	VRS-CY1JD100J	AA	DD		C	Resistor (1/16W 10Ω ±5%) [R267~271,R284~286,R288~R302,R308~320,R322,R323]
35	VRS-CY1JD103J	AA	DD		C	Resistor (1/16W 10KΩ ±5%) [R6~10,R18~22,R201,R205,R227~R230]
	VRS-CY1JD103J	AA	DD		C	Resistor (1/16W 10KΩ ±5%) [R232~234,R321]
36	VRS-CY1JD122J	AA	DD		C	Resistor (1/16W 1.2KΩ ±5%) [R30~37,R126~129]
37	VRS-CY1JD203J	AA	DD		C	Resistor (1/16W 20KΩ ±5%) [R104]
38	VRS-CY1JD220J	AA	DD		C	Resistor (1/16W 22Ω ±5%) [R41~48,R106~110,R139~142,R225,226,R324]
39	VRS-CY1JD222J	AA	DD		C	Resistor (1/16W 2.2KΩ ±5%) [R13~17]
40	VRS-CY1JD332J	AA	DD		C	Resistor (1/16W 3.3KΩ ±5%) [R171]
41	VRS-CY1JD472J	AA	DD		C	Resistor (1/16W 4.7KΩ ±5%) [R67,R69,R75~R85,R94,R102,R111~124,R130~133,R143,144]
	VRS-CY1JD472J	AA	DD		C	Resistor (1/16W 4.7KΩ ±5%) [R166~168,R172~175,R177~180,R185,186,R199,200,R206~222]
	VRS-CY1JD472J	AA	DD		C	Resistor (1/16W 4.7KΩ ±5%) [R252,253,R257~266,R272~283,R287,R303~307]
42	VRS-CY1JD750J	AA	DD		C	Resistor (1/16W 75Ω ±5%) [R105]
43	VRS-TX2HD101J (Unit)	AB	DD		C	Resistor (1/2W 100Ω ±5%) [R170]
901	CPWBX0034QS51	CM	UW		E	PCL PWB

33 ERDH OP PWB

NO.	PARTS CODE	PRICE RANK		NEW MARK	PART RANK	DESCRIPTION
		Ex.	Ja.			
1	DH A i - 0 1 1 6 Q S Z Z	AC	DJ		C	Panel ERDH harness
2	QCNCW0022QSZZ	AE	DJ		C	Connector (25pin)
3	QSW-P0008QSZZ	AC	DJ		B	Switch (EVQ-23G-04K)
4	VHP1LHLE-002A (Unit)	AC	DJ	N	B	LED (1LHLE-002A)
901	CPWBF0025QS52	AY	FQ		E	ERDH operation PWB

34 1ST Tray interface PWB

NO.	PARTS CODE	PRICE RANK		NEW MARK	PART RANK	DESCRIPTION
		Ex.	Ja.			
1	QCNCM0877FCZZ	AF	DS		C	Connector (20pin) [CN-C]
2	QCNCM0923FC16	AF	DS		C	Connector (16pin) [CN-B]
3	QCNCM0923FC22	AF	DS		C	Connector (22Pin) [CN-A]
4	VCEAGU1VW476M	AB	DD		C	Capacitor (35WV 47μF) [C1,2,3]
5	VCKYTV1HB222K	AA	DD		C	Capacitor (50WV 2200PF) [C4,5,6,7,8,9,10]
6	VCKYTV1HF104Z	AA	DD		C	Capacitor (50WV 0.10μF) [C11,15]
7	VHDDAN202K/-1	AB	DD		B	Diode (DAN202K) [D1,2]
8	VHDDAP202K/-1	AB	DD		B	Diode (DAP202K) [D3,4]
9	VH i TC74HC151F	AG	DS		B	IC (TC74H151F) [IC1]
10	VH i ULN2003AN1	AE	DJ		B	IC (ULN2003AN1) [IC2]
11	VH i CPN38// -1	AF	DS		B	Varistor (ICPN38) [ICP1]
12	VRS-TP2BD000J	AA	DD		C	Resistor (1/8W 0Ω ±5%) [J1~23]
13	VRS-TS2AD103J	AA	DD		C	Resistor (1/10W 10KΩ ±5%) [R1,2,3,4]
14	RC-KZ1054CCN2	AB	DD		C	Capacitor (RPE132-906) [C16~18]
15	VCKYPU1HB102K	AA	DD		C	Capacitor (50WV 1000pF) [C22~24]
16	VCKYPU1HB222K	AA	DD		C	Capacitor (50WV 2200pF) [C19~21]
	(Unit)					
901	CPWBF0019QS51	BA	FX		E	1ST tray interface PWB

35 Dry heater PWB ..Japan only

NO.	PARTS CODE	PRICE RANK		NEW MARK	PART RANK	DESCRIPTION
		Ex.	Ja.			
1	QCNCM0672FCZZ	AB	DD		C	Connector (B2P3-VH White)
2	QCNCM7014SC0B	AD	DJ		C	Connector (B02B-PH)
3	QCNCW0690FCZZ	AB	DD		C	Connector (B02P-XL)
4	QCNCW0843FCZZ	AC	DJ		C	Connector (B2P3-VH Red)
5	QFS-A3089KCZZ	AC	DD		A	Fuse (1A/125V)
6	QFSHB0001GCZZ	AB	DJ		C	Fuse holder
7	RRLYD3222QCZZ	AL	EB		B	Relay (AJQ1342)
8	VHDDSS133// -1	AA	DD		B	Diode (DSS133)
	(Unit)					
901	CPWBF0023QS51	BA	FX		E	Dry heater PWB (Japan only)

36 Delivery interface PWB

NO.	PARTS CODE	PRICE RANK		NEW MARK	PART RANK	DESCRIPTION
		Ex.	Ja.			
1	DH A i - 0117QSZZ	AF	DS		C	Tray unit harness
2	QCNCM2401SC0F	AB	DJ		C	Connector (6pin) [CN3]
3	QCNCM7014SC0C	AA	DD		C	Connector (3pin) [CN4]
4	QCNCM7014SC0F	AB	DD		C	Connector (6pin) [CN2]
5	QCNCW1124LC1F	AC	DJ		C	Connector (16pin) [CN1]
6	VCEAGU1VW476M	AB	DD		C	Capacitor (35WV 47μF) [C3]
7	VCKYPU1HB102K	AA	DD		C	Capacitor (50WV 0.001μF) [C1,2]
8	VH i STA401A/-1	AP	EQ		B	IC (STA401A) [IC1,2]
9	VHPGP1S53V/-1	AE	DS		B	Photo transistor (GP1S53V) [ISO1,2]
10	VH i CPN38// -1	AF	DS		B	IC protector (ICPN38) [F1,2]
11	VRD-HT2EY221J	AA	DD		C	Resistor (1/4W 220Ω ±5%) [R1,2,3]
12	VRD-HT2EY222J	AA	DD		C	Resistor (1/4W 2.2KΩ ±5%) [R4~11]
13	PTPE-0016QSZZ	AC	DJ		C	Tape (for core)
14	RC-K1E104HCZZ	AB	DD		C	Capacitor (25WV 0.1μF) [C4]
15	RCORF0002QSZZ	AE	DS		C	Core (HF57SH35*1)
	(Unit)					
901	CPWBF0018QS52	AY	FQ		E	Delivery interface PWB

37 Shifter HP sensor PWB

NO.	PARTS CODE	PRICE RANK		NEW MARK	PART RANK	DESCRIPTION
		Ex.	Ja.			
1	DH A i - 0097QSZZ	AE	DJ		C	Shifter HP sensor harness
2	LBN DJ 0037FCZ1	AA	DJ		C	Wire band (T18S)
3	VCKYPU1HB102K	AA	DD		C	Capacitor (50WV 0.001μF)
4	VHPGP1S53V/-1	AE	DS		B	Photo transistor (GP1S53V)
	(Unit)					
901	CPWBF1177FC68	AP	EQ		E	Shifter HP sensor PWB

38 MHPS PWB OC

NO.	PARTS CODE	PRICE RANK		NEW MARK	PART RANK	DESCRIPTION
		Ex.	Ja.			
1	DH A i - 0099QSZZ	AE	DS		C	Scanner cover sensor harness
2	LBN DJ 0037FCZ1	AA	DJ		C	Wire band (T18S)
3	VCKYPU1HB102K	AA	DD		C	Capacitor (50WV 0.001μF)
4	VHPGP1S53V/-1	AE	DS		B	Photo transistor (GP1S53V)
	(Unit)					
901	CPWBF1177FC69	AU	FG		E	MHPS PWB(OC)

PARTS CODE	JAPAN ONLY ORDER CODE	NO.	PRICE R.		NEW	P/R
			Ex.	Ja.		
XHBSD30P08000	578 970 0060	12-101	AA	DD		C
XHBSD30P10000	572 970 0530	3- 3	AA	DD		C
XHBSD30P14000	572 970 1532	3- 5	AA	DD		C
"	572 970 1532	12- 26	AA	DD		C
XHBSD30P16000	595 970 0166	3- 11	AA	DD		C
XHBSE30P08000	595 970 0163	1- 17	AA	DD		C
"	595 970 0163	12- 5	AA	DD		C
"	595 970 0163	12- 63	AA	DD		C
XHBSE30P10000	595 970 0164	18- 28	AA	DD		C
XHBSE40P10000	595 970 0167	18- 29	AA	DD		C
XHBSF30P05000	594 970 0287	14- 60	AA	DD		C
XHPSD30P08X00	578 970 0212	1- 38	AA	DD		C
XNESD30-24000	541 980 0002	4- 60	AA	DD		C
XPSSJ20-07000	572 218 0379	3- 24	AA	DD		C
"	572 218 0379	6- 36	AA	DD		C
"	572 218 0379	13- 8	AA	DD		C
XPSSJ20-10000	572 218 0135	14- 36	AA	DD		C
XPSSJ30-12000	572 218 0125	4- 45	AB	DD		C
XRESP30-06000	541 399 5002	9- 29	AA	DD		C
"	541 399 5002	14- 62	AA	DD		C
XRESP40-05000	572 399 0053	4- 20	AA	DD		C
XRESP40-06000	509 399 5001	3- 23	AA	DD		C
"	509 399 5001	6- 27	AA	DD		C
"	509 399 5001	10- 12	AA	DD		C
"	509 399 5001	11- 13	AA	DD		C
"	509 399 5001	12- 88	AA	DD		C
"	509 399 5001	12-107	AA	DD		C
"	509 399 5001	12-115	AA	DD		C
"	509 399 5001	13- 4	AA	DD		C
"	509 399 5001	14- 34	AA	DD		C
"	509 399 5001	14- 53	AA	DD		C
"	509 399 5001	16- 7	AA	DD		C
"	509 399 5001	19- 18	AA	DD		C
XRESP50-06000	572 399 0063	4- 38	AA	DD		C
"	572 399 0063	8- 29	AA	DD		C
"	572 399 0063	11- 18	AA	DD		C
"	572 399 0063	14- 12	AA	DD		C
"	572 399 0063	14- 22	AA	DD		C
"	572 399 0063	19- 4	AA	DD		C
"	572 399 0063	19- 47	AA	DD		C
XRESP60-08000	541 399 5003	6- 39	AA	DD		C
XRESP70-08000	571 399 0027	4- 36	AA	DD		C
"	571 399 0027	11- 43	AA	DD		C
XUBUZ30P06000	578 970 0081	8- 24	AA	DD		C
XWHSD30-05070	572 990 0246	9- 54	AA	DD		C
XWHSD30-05080	500 990 0026	12- 48	AA	DD		C
XWHSD30-08100	505 990 5001	16- 13	AA	DD		C
XWHSD40-08100	541 990 0043	12- 57	AA	DD		C
"	541 990 0043	12- 65	AA	DD		C
XWHSD60-10000	572 990 0490	19- 48	AA	DD		C
XWSSD30-07000	541 990 0007	12- 47	AA	DD		C
XWSSD40-10000	571 990 0071	12- 56	AA	DD		C
[0]						
OKY0C151E101/	572 594 0800	28- 80	AD	DJ		C
OKY0C151M221/	572 594 0801	28- 81	AE	DS		C
OKY0C171E331/	572 594 0802	28- 82	AD	DJ		C
OKY0C1A8S470/	572 594 0820	28- 83	AG	DS		C
OKY0C1A9R221/	572 594 0795	28- 83	AG	DS		C
OKY0C1A9R331/	572 594 0796	28- 84	AG	DX		C
OKY0C1A9R471/	572 594 0797	28- 85	AG	DX		C
OKY0C1H6Q222/	572 594 0798	28- 86	AH	DX		C
OKY0C1H6Q472/	572 594 0799	28- 86	AK	EB		C
"	572 594 0799	28- 87	AK	EB		C
OKY0C245Q224/	572 594 0804	28- 88	AN	EG		C
OKY0C251E102/	572 594 0805	28- 89	AE	DJ		C
OKY0C251E103/	572 594 0806	28- 91	AE	DJ		C
OKY0C251E104/	572 594 0807	28- 95	AG	DS		C
OKY0C251E223/	572 594 0808	28- 92	AE	DS		C
OKY0C251E333/	572 594 0809	28- 93	AE	DS		C
OKY0C251E472/	572 594 0810	28- 90	AE	DJ		C
OKY0C251E473/	572 594 0811	28- 94	AF	DS		C
OKY0C2X0Q104/	572 594 0803	28- 96	AR	EQ		C
OKY0C364E4R7/	572 594 0816	28- 97	AH	DX		C
OKY0C374D331/	572 594 0817	28- 99	AN	EG		C
OKY0C374D820/	572 594 0818	28- 98	AH	DX		C
OKY0C375B471/	572 594 0819	28-100	AN	EG		C
OKY0C3J5M181/	572 594 0821	28-103	BC	GD		C
OKY0C3L2A332/	572 594 0812	28-101	AT	EZ		C
OKY0C3L2B152/	572 594 0813	28-102	AS	EQ		C
OKY0C3L3L102/	572 594 0814	28-103	BD	GJ		C
OKY0C3L7D102/	572 594 0815	28-104	AR	EQ		C

PARTS CODE	JAPAN ONLY ORDER CODE	NO.	PRICE R.		NEW	P/R
			Ex.	Ja.		
OKY0D113A003/	572 570 0482	28- 1	AX	FG		B
OKY0D119A006/	572 570 0495	28- 1	AW	FG		B
OKY0D157A006/	572 570 0483	28- 2	AF	DS		B
OKY0D202B001/	572 570 0484	28- 3	AZ	FQ		B
OKY0D202B006/	572 570 0496	28- 3	AZ	FQ		B
OKY0D206B003/	572 570 0485	28- 4	AY	FQ		B
OKY0D208B006/	572 570 0486	28- 5	AQ	EQ		B
OKY0D219B006/	572 570 0487	28- 6	AQ	EQ		B
OKY0D251A002/	572 570 0488	28- 7	AD	DJ		B
OKY0D264A006/	572 570 0489	28- 8	AL	EB		B
OKY0D264A010/	572 570 0497	28- 5	AN	EQ		B
OKY0D265A002/	572 570 0490	28- 9	AK	DX		B
OKY0D466A024/	572 570 0491	28- 10	AE	DS		B
OKY0D466A048/	572 570 0492	28- 11	AE	DS		B
OKY0D466A096/	572 570 0493	28- 12	AE	DS		B
OKY0D466A105/	572 570 0494	28- 13	AU	EZ		B
OKY0D513A406/	572 575 0155	28- 14	AU	EZ		B
OKY0D513A606/	572 576 0534	28- 14	AU	EZ		B
OKY0D517A416/	572 575 0156	28- 15	BC	GD		B
OKY0D517A616/	572 576 0535	28- 15	BC	GJ		B
OKY0D719A471/	572 577 0030	28- 28	AM	EG		B
OKY0D802A101/	572 580 1148	28- 30	AS	EQ		B
OKY0H112A001/	572 573 1854	28- 21	AN	EQ		B
OKY0H128A001/	572 573 1855	28- 22	AZ	FQ		B
OKY0H130A012/	572 573 1856	28- 23	AT	EZ		B
OKY0H141A001/	572 573 1857	28- 24	AZ	FQ		B
OKY0H153A001/	572 573 1858	28- 25	AP	EQ		B
OKY0H719A001/	572 568 0098	28- 26	AN	EG		B
OKY0H723A001/	572 568 0100	28- 26	AP	EQ		B
OKY0H725A001/	572 568 0099	28- 27	AV	FG		B
OKY0K202B003/	572 510 1065	28-116	AG	DX		C
OKY0K219B003/	572 510 1066	28-117	AS	EZ		C
OKY0K219B004/	572 510 1067	28-118	AU	EZ		C
OKY0K219B006/	572 510 1068	28-119	AX	FG		C
OKY0K235B002/	572 510 1069	28-120	AN	EG		C
OKY0K236B026/	572 510 1070	28-121	AR	EQ		C
OKY0K251A002/	572 510 1072	28-124	AG	DX		C
OKY0K252P004/	572 532 0206	28-122	AH	DX		C
OKY0K309A024/	572 637 0151	28-115	AZ	FQ		B
OKY0K651A362/	572 577 0031	28- 29	AV	FG		B
OKY0K704A020/	572 515 0483	28-114	AQ	EQ		A
OKY0K716A4R0/	572 515 0484	28-112	AK	DX		A
OKY0K716A5R0/	572 515 0485	28-113	AK	DX		A
OKY0K717A4R0/	572 515 0487	28-112	AK	DX		A
OKY0K718A4R0/	572 515 0488	28-113	AM	EG		A
OKY0K722A020/	572 515 0486	28-114	AT	EZ		A
OKY0K723A010/	572 515 0489	28-114	AR	EQ		A
OKY0L100C002/	572 614 0259	28-105	BC	GJ		C
OKY0L100C0022/	572 614 0255	28-105	BA	FX		C
OKY0L100E011/	572 614 0260	28-106	BD	GN		C
OKY0L100E0112/	572 614 0256	28-106	BB	GD		C
OKY0L107R202/	572 614 0257	28-107	AZ	FX		C
OKY0L112R502/	572 614 0261	28-125	BB	GD		C
OKY0L114R101/	572 614 0262	28-126	AX	FG		C
OKY0L115J602/	572 614 0263	28-107	AX	FG		C
OKY0L200Q036/	572 660 0422	28-108	BF	GN		B
OKY0L200Q0362/	572 660 0421	28-108	BE	GN		B
OKY0L313R001/	572 614 0258	28-123	AH	DX		C
OKY0L551A001/	572 621 0045	28-109	AE	DS		B
OKY0L551A002/	572 621 0046	28-110	AF	DS		B
OKY0L552A001/	572 621 0047	28-111	AE	DS		B
OKY0R153U100/	572 580 1149	28- 31	AC	DJ		C
OKY0R153U102/	572 580 1150	28- 37	AC	DJ		C
OKY0R153U103/	572 580 1151	28- 43	AC	DJ		C
OKY0R153U104/	572 580 1152	28- 50	AC	DJ		C
OKY0R153U105/	572 580 1153	28- 52	AC	DJ		C
OKY0R153U123/	572 580 1154	28- 44	AC	DJ		C
OKY0R153U152/	572 580 1155	28- 38	AC	DJ		C
OKY0R153U153/	572 580 1156	28- 45	AC	DJ		C
OKY0R153U220/	572 580 1157	28- 32	AC	DJ		C
OKY0R153U221/	572 580 1158	28- 33	AC	DJ		C
OKY0R153U222/	572 580 1159	28- 39	AC	DJ		C
OKY0R153U223/	572 580 1160	28- 46	AC	DJ		C
OKY0R153U224/	572 580 1161	28- 51	AC	DJ		C
OKY0R153U272/	572 580 1162	28- 40	AC	DJ		C
OKY0R153U273/	572 580 1163	28- 47	AC	DJ		C
OKY0R153U331/	572 580 1164	28- 34	AC	DJ		C
OKY0R153U332/	572 580 1165	28- 41	AC	DJ		C
OKY0R153U391/	572 580 1166	28- 35	AC	DJ		C
OKY0R153U471/	572 580 1167	28- 36	AC	DJ		C
OKY0R153U472/	572 580 1168	28- 42	AC	DJ		C

SHARP

COPYRIGHT © 1999 BY SHARP CORPORATION

All rights reserved.

Printed in Japan.

No part of this publication may be reproduced,
stored in a retrieval system, or transmitted,
in any form or by any means,
electronic, mechanical, photocopying, recording, or otherwise,
without prior written permission of the publisher.

SHARP CORPORATION
Digital Document Systems Group
Quality & Reliability Control Center
Yamatokoriyama, Nara 639-1186, Japan
1999 June Printed in Japan