



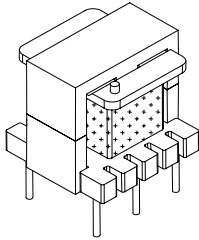
# Inductor for POTS Splitter Application



★ Use For POTS Splitter Application

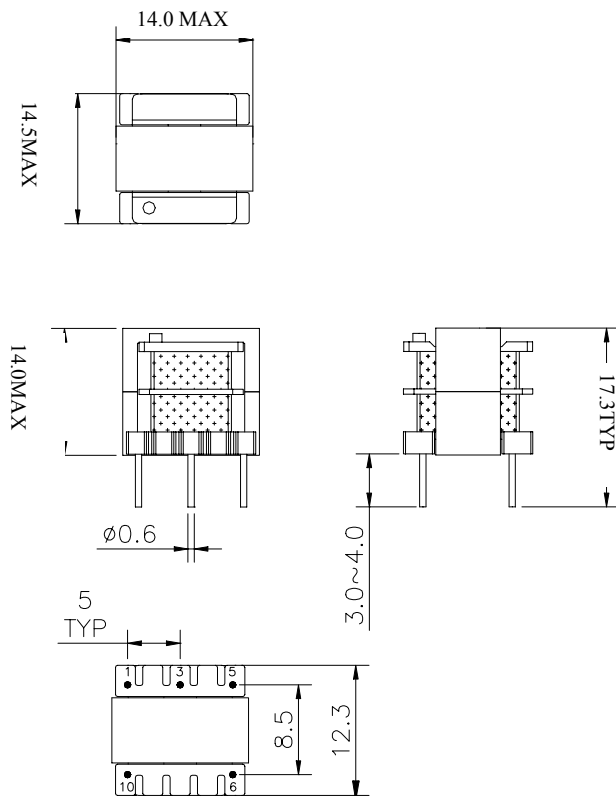
★ Stable Inductance with DC Bias

★ Small Packages in EE13 THT Type

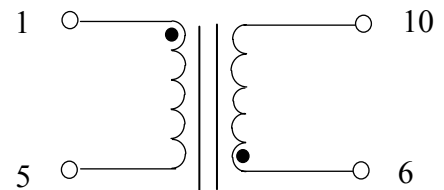


Specifications					
Part Number	Application	Inductance@100mA (mH)	Inductance (mH)	DCR (Max)	Hi-Pot (Vdc)
AR5090	Inductor	(1-5)4.75mH±7% (6-10) 4.75mH±7%	(1-10) 18mH,(5-6) shorted ±5%	(1-5)=(6-10)=5	500

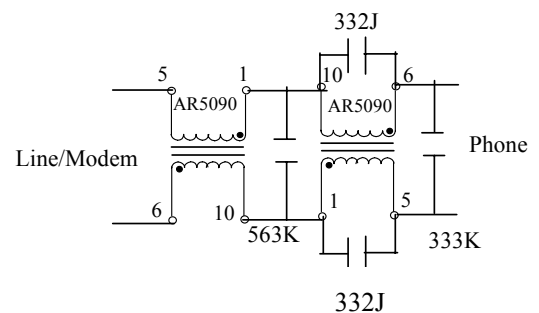
## Dimension



## Schematic



## Splitter Application



Data sheet subject to change without notice