



POSEICO SPA
Power SEmiconductors Italian COrporation

POSEICO SPA
Via N. Lorenzi 8, 16152 Genova - ITALY
Tel. +39 010 6556234 - Fax +39 010 6557519
Sales Office:
Tel. +39 010 6556775 - Fax +39 010 6442510

FAST RECOVERY DIODE

ARF673

FOR IGBT, IEGT, GCT APPLICATIONS
SNUBBERLESS OPERATION
LOW LOSSES SOFT RECOVERY

Repetitive voltage up to **4500 V**
Mean forward current **990 A**
Surge current **15 kA**

TARGET SPECIFICATION

mar 03 - ISSUE : 2

Symbol	Characteristic	Conditions	T _j [°C]	Value	Unit
BLOCKING					
V _{RRM}	Repetitive peak reverse voltage		125	4500	V
V _{RSM}	Non-repetitive peak reverse voltage		125	4600	V
I _{RRM}	Repetitive peak reverse current	V=VRRM	125	80	mA
V _{DC LINK}	Permanent DC voltage		125	2500	V
CONDUCTING					
I _{F(AV)}	Mean forward current	180° sin ,50 Hz, Th=55°C, double side cooled		990	A
I _{F(AV)}	Mean forward current	180° square,50 Hz,Th=55°C,double side cooled		1030	A
I _{FSM}	Surge forward current	Sine wave, 10 ms	125	15	kA
I ² t	I ² t	reapplied reverse voltage up to 50% VRSM		1125 x1E3	A ² s
V _{FM}	Forward voltage	Forward current = 2500 A	125	3.82	V
V _{F(TO)}	Threshold voltage		125	1.70	V
r _F	Forward slope resistance		125	0.850	mohm
SWITCHING					
t _{rr}	Reverse recovery time	I _F = 2100 A di/dt= 1100 A/μs VR = 1800 V	125		μs
Q _{rr}	Reverse recovery charge			2300	μC
I _{rr}	Peak reverse recovery current			1300	A
s	Softness (s-factor), min			1	
E _{OFF}	Turn off energy dissipation			6	J
V _{FR}	Peak forward recovery	di/dt= 400 A/μs	125	38	V
MOUNTING					
R _{th(j-h)}	Thermal impedance	Junction to heatsink, double side cooled		18	°C/kW
R _{th(c-h)}	Thermal impedance	Case to heatsink, double side cooled		6	°C/kW
T _j	Operating junction temperature			-30 / 125	°C
F	Mounting force			22.0 / 24.5	kN
	Mass			300	g

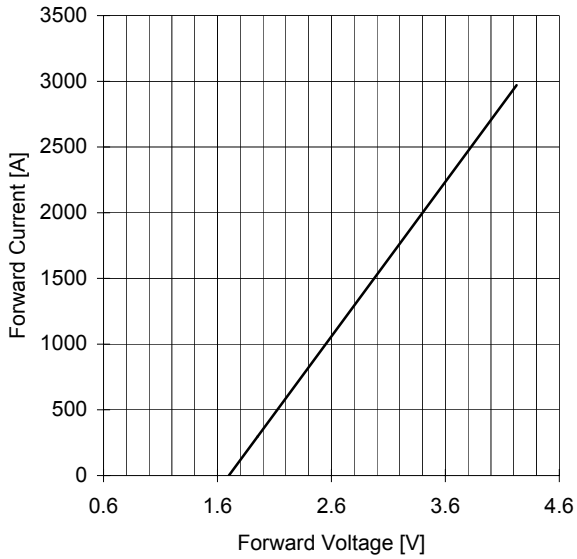
ORDERING INFORMATION : ARF673 S 45

standard specification VRRM/100

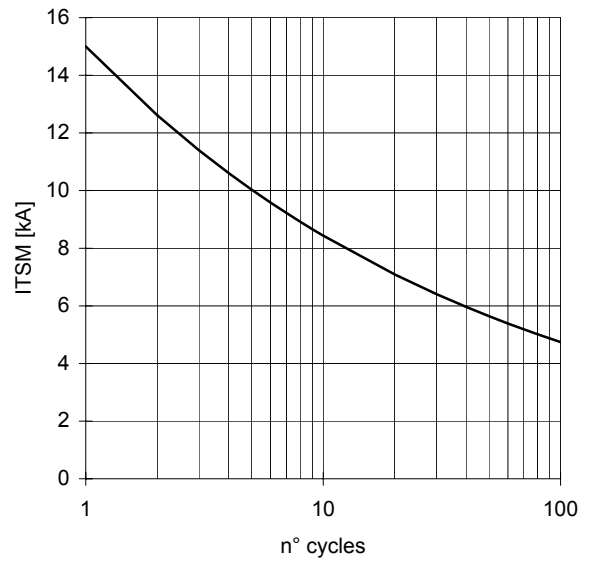
ARF673 FAST RECOVERY DIODE

TARGET SPECIFICATION mar 03 - ISSUE : 2

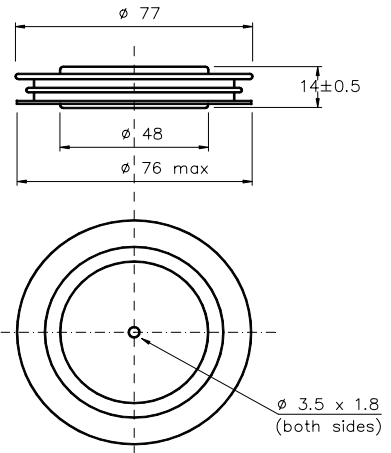
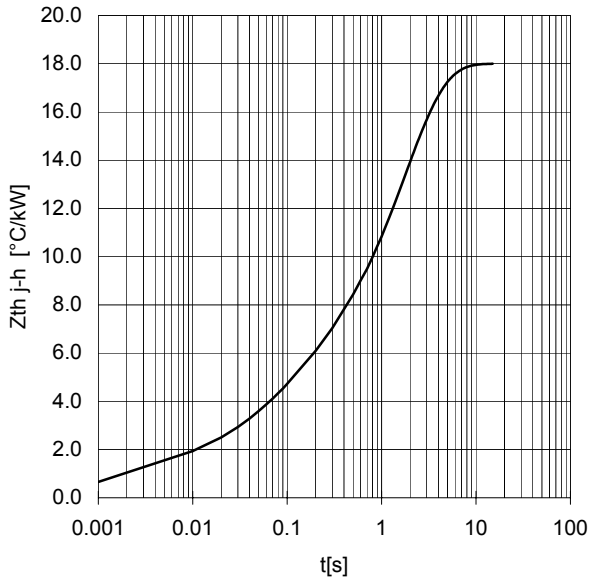
FORWARD CHARACTERISTIC
 $T_j = 125^\circ\text{C}$



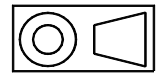
SURGE CHARACTERISTIC
 $T_j = 125^\circ\text{C}$



TRANSIENT THERMAL IMPEDANCE
 DOUBLE SIDE COOLED



Dimensions
 in mm



All the characteristics given in this data sheet are guaranteed only with uniform clamping force, cleaned and lubricated heatsink, surfaces with flatness $< .03 \text{ mm}$ and roughness $< 2 \mu\text{m}$.

In the interest of product improvement ANSALDO reserves the right to change any data given in this data sheet at any time without previous notice.

If not stated otherwise the maximum value of ratings (symbols over shaded background) and characteristics is reported.

Distributed by

