

## Standard Products

# ARX4418 & ARX4417 Variable Amplitude Transceiver for MACAIR (A3818, A4905, A5232, A5690), MIL-STD-1553 & SAE-AS15531

[www.aeroflex.com/Avionics](http://www.aeroflex.com/Avionics)

March 31, 2005



## FEATURES

- ARX4418 Transceiver meets Macair (A3818, A4905, A5232 and A5690) & MIL-STD-1553A/B
- ARX4417 Transceiver meets MIL-STD-1553 and SAE-AS15531
- Bipolar supply  $\pm 15V$  to  $\pm 12V$ , Logic supply +5VDC
- Variable TX amplitude
- Variable receiver threshold capability
- Monolithic construction
- Voltage source output for higher bus drive power
- Designed for commercial, industrial and aerospace applications
- MIL-PRF-38534 compliant devices available
- Aeroflex-Plainview is a Class H & K MIL-PRF-38534 manufacturer
- DESC SMD 5962-9208503

## GENERAL DESCRIPTION

The Aeroflex Plainview transceiver model ARX4418 and is a new generation monolithic transceiver which provide full compliance with Macair and MIL-STD-1553 data bus requirements while providing variable amplitude control.

The model ARX4418 and ARX4417 performs the front-end analog function of inputting and outputting data through a transformer to a MIL-STD-1553 or Macair data bus.

The ARX4418 can be considered a "Universal" Transceiver in that it is compatible with Macair (A-3818, A-4905, A-5232 and A-5690), MIL-STD-1553A/B and SAE-AS1553. The ARX4417 is compatible with MIL-STD-1553A/B and SAE-AS15531.

Design of these transceivers reflects particular attention to active filter performance. This results in low bit and word error rate with superior waveform purity and minimal zero crossover distortion. The ARX4418 active filter design has additional high frequency roll-off to provide the required Macair low harmonic distortion waveform without increasing the pulse delay characteristics significantly.

Efficient transmitter electrical and thermal design provides low internal power dissipation and heat rise at high and low duty cycles. An optional receiver input threshold adjustment can be accomplished by the use of the "External Threshold" terminals or by the use of the "Set Internal Threshold" terminals. Variable amplitude is adjusted with 0–10 VDC on the control pin.

## TRANSMITTER

The Transmitter section accepts bi-phase TTL data at the input and when coupled to the data bus with a 1:1 transformer the data bus signal produced is 7.0 Volts minimum P-P at point A-A' (See Figure 5). When both DATA and  $\overline{\text{DATA}}$  inputs are held low or high, the transmitter output becomes a high impedance and is "removed" from the line. In addition, an overriding "INHIBIT" input provides for the removal of the transmitter output from the line. A logic "1" applied to the "INHIBIT" takes priority over the condition of the data inputs and disables the transmitter (See Transmitter Logic Waveforms - Figure 1).

The transmitter utilizes an active filter to suppress harmonics above 1 MHz to meet Macair specifications A-3818, A-4905, A-5232 and A-5690. The transmitter may be safely operated for an indefinite period at 100% duty cycle into a data bus short circuit.

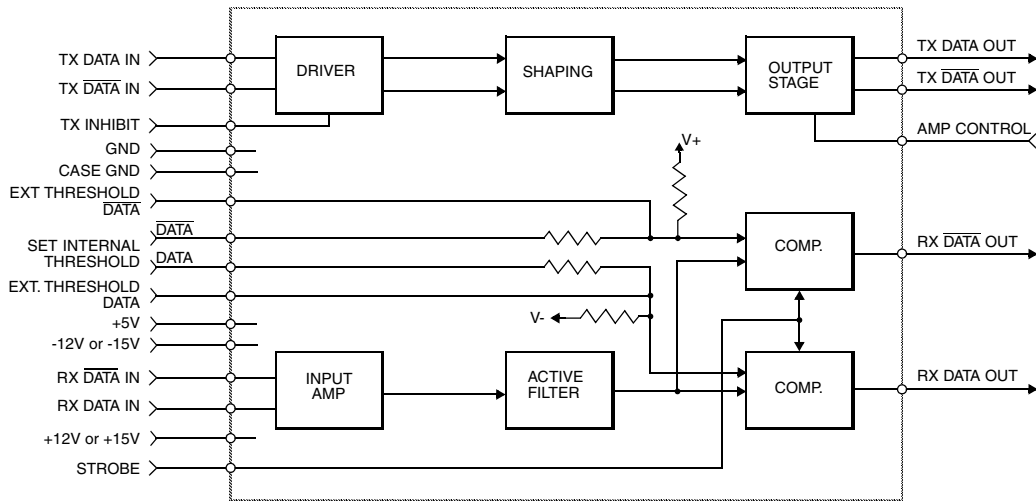
The transceiver utilizes an active filter to suppress harmonics above 1MHz. The Transmitter may be safely operated at 100% duty cycle for an indefinite period into a short circuited 1553 bus.

## RECEIVER

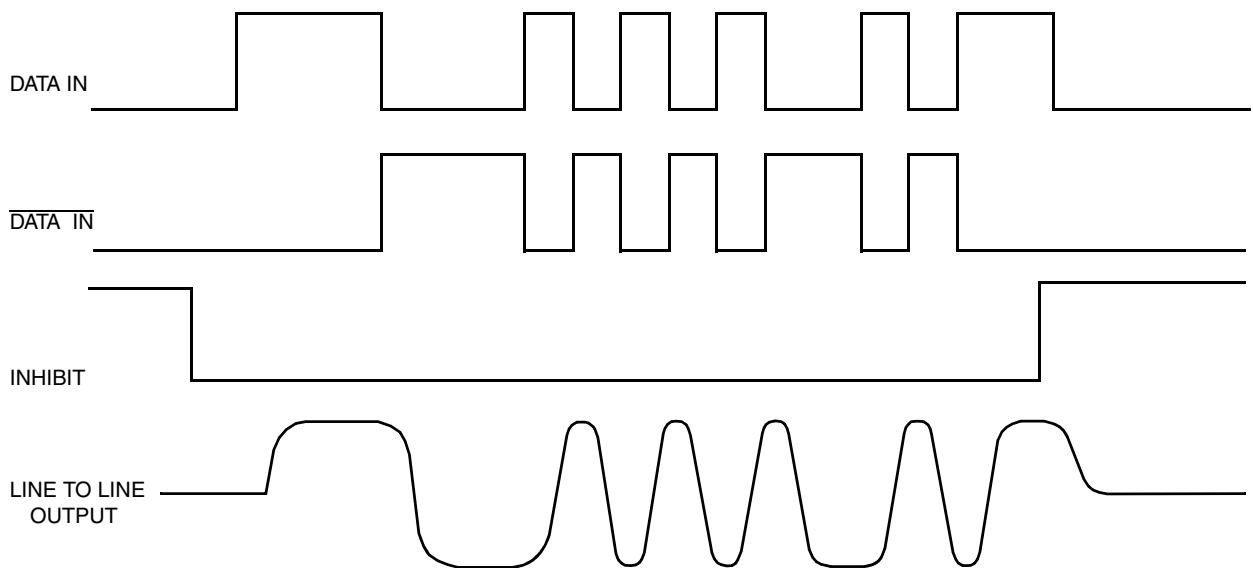
The Receiver section accepts bi-phase differential data at the input and produces two TTL signals at the output. The outputs are DATA and  $\overline{\text{DATA}}$ , and represent positive and negative excursions of the input beyond a pre-determined threshold (See Receiver Logic Waveforms - Figure 2).

The internal threshold is nominally set to detect data bus signals exceeding 1.05 Vp-p and reject signals less than 0.6 Vp-p when used with a 1:1 turns ratio transformer (See Figure 5 for transformer data and typical connection). This threshold setting can be held by grounding the appropriate pins or modified with the use of external resistors.

A low level at the "STROBE" input inhibits the DATA and  $\overline{\text{DATA}}$  outputs. If unused, a 2K Ohm pull-up to +5VDC is recommended.

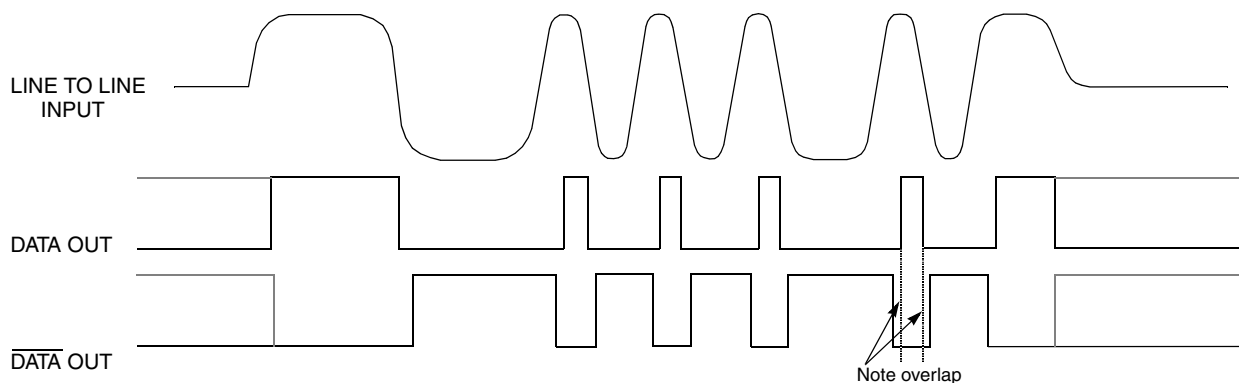


**BLOCK DIAGRAM (WITHOUT TRANSFORMER)**



- Notes:
1. Line to line waveforms illustrate Macair signals, MIL-STD-1553 signals are trapezoidal.
  2. DATA and  $\overline{\text{DATA}}$  inputs must be complementary waveforms or 50% duty cycle average, with no delays between them.
  3. DATA and  $\overline{\text{DATA}}$  must be in the same state during off time (both high or low).

**FIGURE 1 – TRANSMITTER LOGIC WAVEFORMS IDEALIZED**



Note: Waveforms shown are for normally low devices. For normally high receiver output level devices, the receiver outputs are swapped as shown by the dashed lines

**FIGURE 2 – RECEIVER LOGIC WAVEFORMS IDEALIZED**

## ABSOLUTE MAXIMUM RATINGS

|   |                  |                |
|---|------------------|----------------|
| Operating Case Temperature  | -55°C to +125°C  |                |
| Storage Case Temperature  | -65°C to +150°C  |                |
| Power Supply Voltages   | ±15VDC to ±18VDC | +5VDC to +7VDC |
| Logic Input Voltage   | -0.3 V to +5.5 V |                |
| Receiver Differential Input   | ±40 V            |                |
| Receiver Input Voltage (Common Mode)  | ±10V             |                |
| Driver Peak Output Current  | 300 mA           |                |
| Total Package Power Dissipation over the Full Operating Case Temperature Range      | 2.4 Watts        |                |
| Power Dissipation for hottest die, (100% duty cycle)                                | 600 mW           |                |
| Maximum junction to case temperature rise for the hottest device (100 % duty cycle) | 36°C             |                |
| Junction-Case, Thermal Resistance for hottest device                                | 60°C/W           |                |

## ELECTRICAL CHARACTERISTICS – TRANSMITTER SECTION

### INPUT CHARACTERISTICS, TX DATA IN OR TX DATA IN

| Parameter         | Condition       | Symbol    | Min | Typ  | Max  | Unit |
|-------------------|-----------------|-----------|-----|------|------|------|
| "0" Input Current | $V_{IN} = 0.4V$ | $I_{ILD}$ | -   | -0.2 | -0.4 | mA   |
| "1" Input Current | $V_{IN} = 2.7V$ | $I_{IHD}$ | -   | 1    | 40   | μA   |
| "0" Input Voltage | -               | $V_{ILD}$ | -   | -    | 0.7  | V    |
| "1" Input Voltage | -               | $V_{IHD}$ | 2.0 | -    | -    | V    |

### INHIBIT CHARACTERISTICS

|  |                 |             |    |      |      |       |
|--|-----------------|-------------|----|------|------|-------|
| "0" Input Current                                | $V_{IN} = 0.4V$ | $I_{ILI}$   | -  | -0.2 | -0.4 | mA    |
| "1" Input Current                                | $V_{IN} = 2.7V$ | $I_{IHI}$   | -  | 1.0  | 40   | μA    |
| "0" Input Voltage                                | -               | $V_{ILI}$   | -  | -    | 0.7  | V     |
| "1" Input Voltage                                | -               | $V_{IHI}$   | 2  | -    | -    | V     |
| Delay from TX inhibit, (0→1) to inhibited output | Note 1          | $t_{DXOFF}$ | -  | 400  | 500  | nS    |
| Delay from TX inhibit, (1→0) to active output    | Note 1          | $t_{DXON}$  | -  | 400  | 500  | nS    |
| Differential Output Noise, inhibit mode          | -               | $V_{NOI}$   | -  | 0.8  | 10   | mVp-p |
| Differential Output Impedance (inhibited)        | Note 2          | $Z_{OI}$    | 2K | -    | -    | Ω     |

### OUTPUT CHARACTERISTICS

|   |                    |           |     |     |     |         |
|---|--------------------|-----------|-----|-----|-----|---------|
| Differential output level at point B-B' Figure 5, $V_{cont} = 10 V_{dc}$ , See Figure 6 for control voltage versus output level | $R_L = 140 \Omega$ | $V_O$     | 28  | 30  | 36  | V p-p   |
| Rise and fall times (10% to 90% of p-p output)  | -                  | $t_R$     | 200 | 250 | 300 | nS      |
| Output offset at point A-A' on Figure 5, 2.5 μS after midpoint crossing of the parity bit of the last word of a 660 μS message  | $R_L = 35 \Omega$  | $V_{OS}$  | -   | -   | ±90 | mV peak |
| Delay from 50% point of TX DATA or TX DATA input to zero crossing of differential signal. (Note 1)                              | ARX4418            | $t_{DTX}$ | -   | 330 | 450 | nS      |
|   | ARX4417            |           | -   | 240 | 360 | nS      |

## ELECTRICAL CHARACTERISTICS – RECEIVER SECTION

| Parameter                        | Condition | Symbol           | Min | Typ | Max | Unit             |
|----------------------------------|-----------|------------------|-----|-----|-----|------------------|
| Differential Input Impedance     | f = 1MHz  | Z <sub>IN</sub>  | 10K | -   | -   | Ω                |
| Differential Input Voltage Range | -         | V <sub>IDR</sub> | -   | -   | 40  | V <sub>p-p</sub> |
| Input Common Mode Voltage Range  | Note 1    | V <sub>ICR</sub> | 10  | -   | -   | V <sub>p-p</sub> |
| Common Mode Rejection Ratio      | Note 1    | CMRR             | 40  | -   | -   | dB               |

### STROBE CHARACTERISTICS (LOGIC "0" INHIBITS OUTPUT)

|                                    |                       |                 |     |      |      |    |
|------------------------------------|-----------------------|-----------------|-----|------|------|----|
| "0" Input Current                  | V <sub>S</sub> = 0.4V | I <sub>IL</sub> | -   | -0.2 | -0.4 | mA |
| "1" Input Current                  | V <sub>S</sub> = 2.7V | I <sub>IH</sub> | -   | 1    | +40  | μA |
| "0" Input Voltage                  | -                     | V <sub>IL</sub> | -   | -    | 0.7  | V  |
| "1" Input Voltage                  | -                     | V <sub>IH</sub> | 2.0 | -    | -    | V  |
| Strobe Delay (Turn-on or Turn-off) | Note 1                | t <sub>SD</sub> | -   | -    | 150  | nS |

### THRESHOLD CHARACTERISTICS (SINEWAVE INPUT )

|  |               |                 |      |     |      |       |
|--|---------------|-----------------|------|-----|------|-------|
| Internal Threshold Voltage<br>(referred to the bus) pins 6 and 11 grounded | 100KHz - 1MHz | V <sub>TH</sub> | 0.60 | 0.8 | 1.05 | V p-p |
|--|---------------|-----------------|------|-----|------|-------|

### OUTPUT CHARACTERISTICS, RX DATA AND RX DATA

|  |                           |                  |     |      |     |    |
|--|---------------------------|------------------|-----|------|-----|----|
| "1" State  | I <sub>OH</sub> = -0.4 mA | V <sub>OH</sub>  | 2.5 | 3.6  | -   | V  |
| "0" State  | I <sub>OL</sub> = 4 mA    | V <sub>OL</sub>  | -   | 0.35 | 0.5 | V  |
| Delay (average), from differential input zero crossings to RX DATA and RX DATA output 50% points | Note 1                    | t <sub>DRX</sub> | -   | 300  | 450 | nS |

## POWER DATA

### POWER SUPPLY CURRENTS (POWER SUPPLIES SET AT +15V, -15V, +5V)

|                     |  |  |  |                  |                  |    |
|---------------------|--|--|--|------------------|------------------|----|
| Transmitter Standby |  | I <sub>CC</sub><br>I <sub>EE</sub><br>I <sub>L</sub> |  | 30<br>50<br>25   | 60<br>75<br>35   | mA |
| 25% duty cycle      |  | I <sub>CC</sub><br>I <sub>EE</sub><br>I <sub>L</sub> |  | 50<br>70<br>25   | 85<br>105<br>35  |    |
| 50% duty cycle      |  | I <sub>CC</sub><br>I <sub>EE</sub><br>I <sub>L</sub> |  | 75<br>45<br>25   | 110<br>130<br>35 |    |
| 100% duty cycle     |  | I <sub>CC</sub><br>I <sub>EE</sub><br>I <sub>L</sub> |  | 120<br>140<br>25 | 160<br>180<br>35 |    |

### RECOMMENDED POWER SUPPLY VOLTAGE RANGE

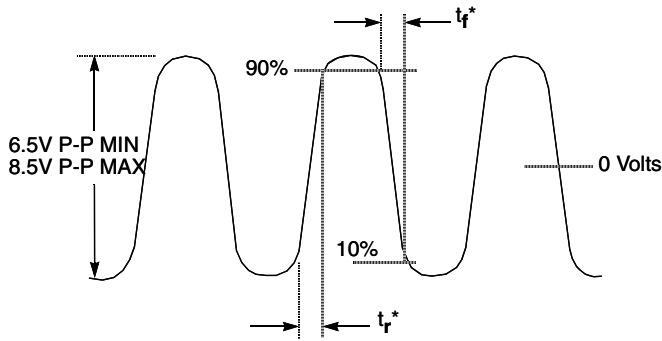
|       |                             |
|-------|-----------------------------|
| +V    | +11.4 Volts to +15.75 Volts |
| -V    | -11.4 Volts to -15.75 Volts |
| Logic | +4.5 Volts to +5.5 Volts    |

Notes: 1. Characteristics guaranteed by design, not production tested.

2. Power on or off, measured from 75KHz to 1MHz at point A-A' and transformer self impedance of 3KΩ minimum at 1MHz.

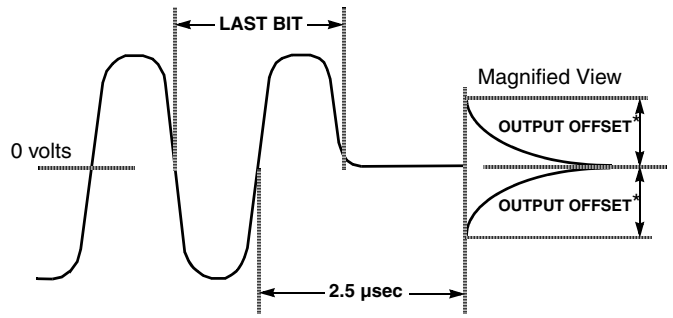
3. Specifications apply over the temperature range of -55°C to +125°C (Case Temperature) unless otherwise noted.

4. All typical values are measured at +25°C.



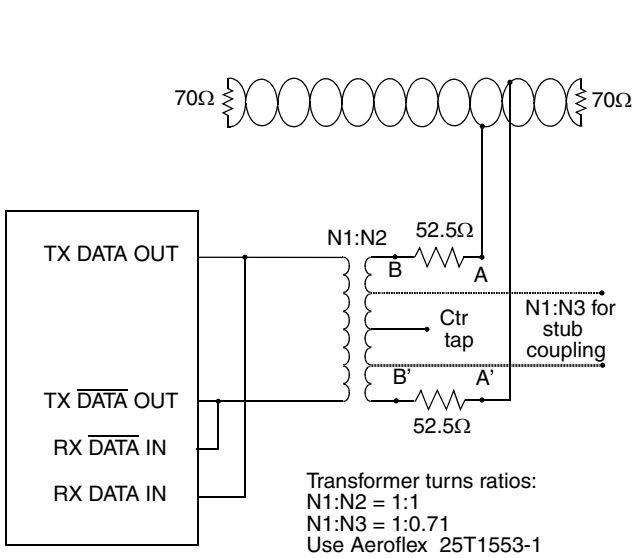
\* Rise and fall times measured at point A-A' in Figure 5

**FIGURE 3 – TRANSMITTER (TX) OUTPUT WAVEFORM**

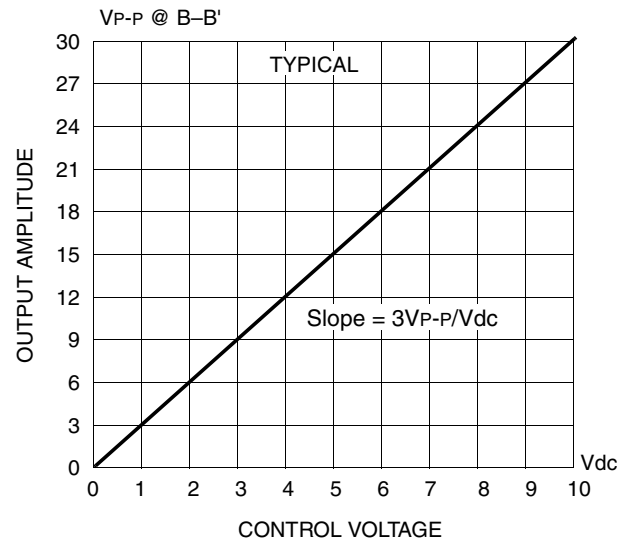


\*Offset measured at point A-A' in Figure 5

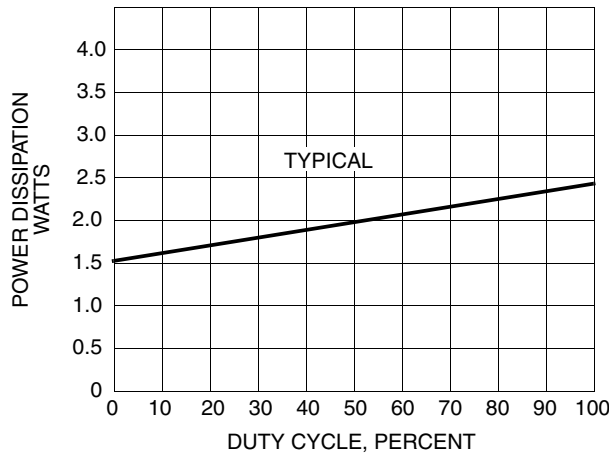
**FIGURE 4 – TRANSMITTER (TX) OUTPUT OFFSET**



**FIGURE 5 – TYPICAL TRANSFORMER CONNECTION**



**FIGURE 6 – TRANSMITTER (TX) OUTPUT AMPLITUDE vs. CONTROL VOLTAGE**



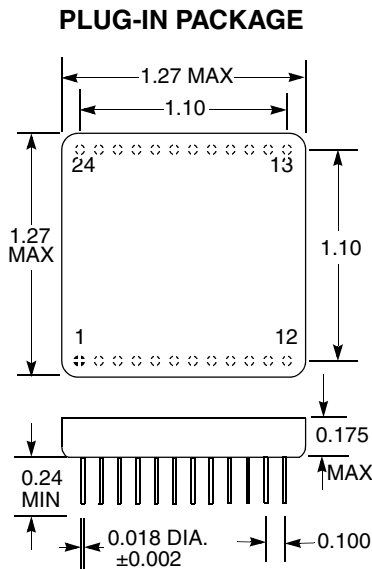
**FIGURE 7 – TYPICAL POWER DISSIPATION vs. DUTY CYCLE**

## CONFIGURATIONS AND ORDERING INFORMATION \*

| Model No.    | DSCC No.        | Receiver Data level | Configuration         | Specs.        |
|--------------|-----------------|---------------------|-----------------------|---------------|
| ARX4418      | 5962-9208503HXX | Normally Low        | Plug In               | 1553 & Macair |
| ARX4418-FP   | 5962-9208503HYX |                     | Flat Pack             | 1553 & Macair |
| ARX4418-LPFP | -               |                     | Low Profile Flat Pack | 1553 & Macair |
| ARX4417      | -               | Normally High       | Plug In               | 1553          |
| ARX4417-FP   |                 |                     | Flat Pack             |               |
| ARX4417-LPFP |                 |                     | Low Profile Flat Pack |               |

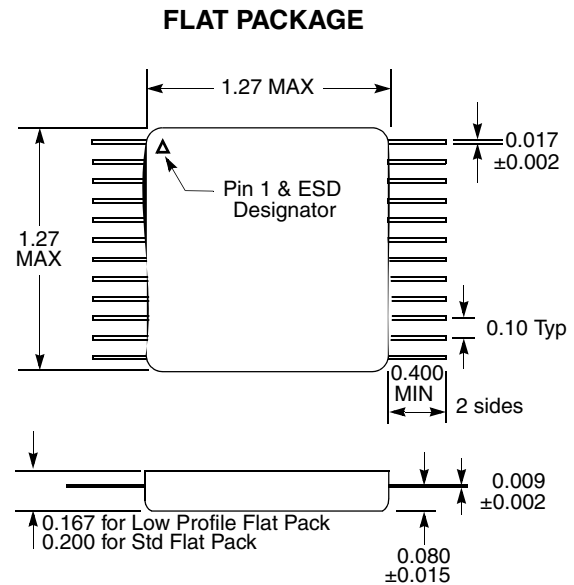
\* Not for new designs. See ACT4418N Series.

### PACKAGE CONFIGURATION OUTLINE



**Pin Function**

|    |                 |
|----|-----------------|
| 1  | TX DATA OUT     |
| 2  | TX DATA OUT     |
| 3  | TX GND (+5)     |
| 4  | +15V (TX)       |
| 5  | EXT. DATA THRES |
| 6  | INT. DATA THRES |
| 7  | RX DATA OUT     |
| 8  | STROBE          |
| 9  | RX GND (+5V)    |
| 10 | RXDATA OUT      |
| 11 | INT. DATA THRES |
| 12 | EXT. DATA THRES |
| 13 | +15V (RX)       |
| 14 | AMP CONTROL     |
| 15 | RX DATA IN      |
| 16 | RX DATA IN      |
| 17 | GND             |
| 18 | CASE GND        |
| 19 | -15V (RX)       |
| 20 | +5V             |
| 21 | TX INHIBIT      |
| 22 | TX DATA IN      |
| 23 | TX DATA IN      |
| 24 | -15V(TX)        |



**Notes**

- Dimensions shown are in inches.
- Pins are equally spaced at 0.100±0.002 tolerance, non-cumulative, each row.

**PLAINVIEW, NEW YORK**  
Toll Free: 800-THE-1553  
Fax: 516-694-6715

**INTERNATIONAL**  
Tel: 805-778-9229  
Fax: 805-778-1980

**NORTHEAST**  
Tel: 603-888-3975  
Fax: 603-888-4585

**SE AND MID-ATLANTIC**  
Tel: 321-951-4164  
Fax: 321-951-4254

**WEST COAST**  
Tel: 949-362-2260  
Fax: 949-362-2266

**CENTRAL**  
Tel: 719-594-8017  
Fax: 719-594-8468

[www.aeroflex.com](http://www.aeroflex.com)    [info-ams@aeroflex.com](mailto:info-ams@aeroflex.com)



Aeroflex Microelectronic Solutions reserves the right to change at any time without notice the specifications, design, function, or form of its products described herein. All parameters must be validated for each customer's application by engineering. No liability is assumed as a result of use of this product. No patent licenses are implied.



Our passion for performance is defined by three attributes represented by these three icons: solution-minded, performance-driven and customer-focused